

[54] **TOY BOAT**
[75] **Inventor: Marc Rivollet, Oxonnax, France**
[73] **Assignee: Etablissements Fernand Berchet, France**
[**] **Term: 14 Years**
[21] **Appl. No.: 282,748**
[22] **Filed: Jul. 13, 1981**
[30] **Foreign Application Priority Data**
Jan. 12, 1981 [FR] France 810082
[52] **U.S. Cl. D21/130**
[58] **Field of Search D21/59, 109, 130; D12/2, 3, 5, 300, 315, 318; D11/163; 46/1 R, 91, 93, 95, 96**

[56] **References Cited**
U.S. PATENT DOCUMENTS
D. 258,071 1/1981 Walker D21/130

3,517,455 6/1970 Glass et al. 46/93

OTHER PUBLICATIONS

Plasticraft Mfg. Co. 1966 Catalog, p. 3-Item No. 1698-Fire Boat.
Toys, Hobbies & Crafts, 5/1980, p. 57-Tug Boat Toy at top left.

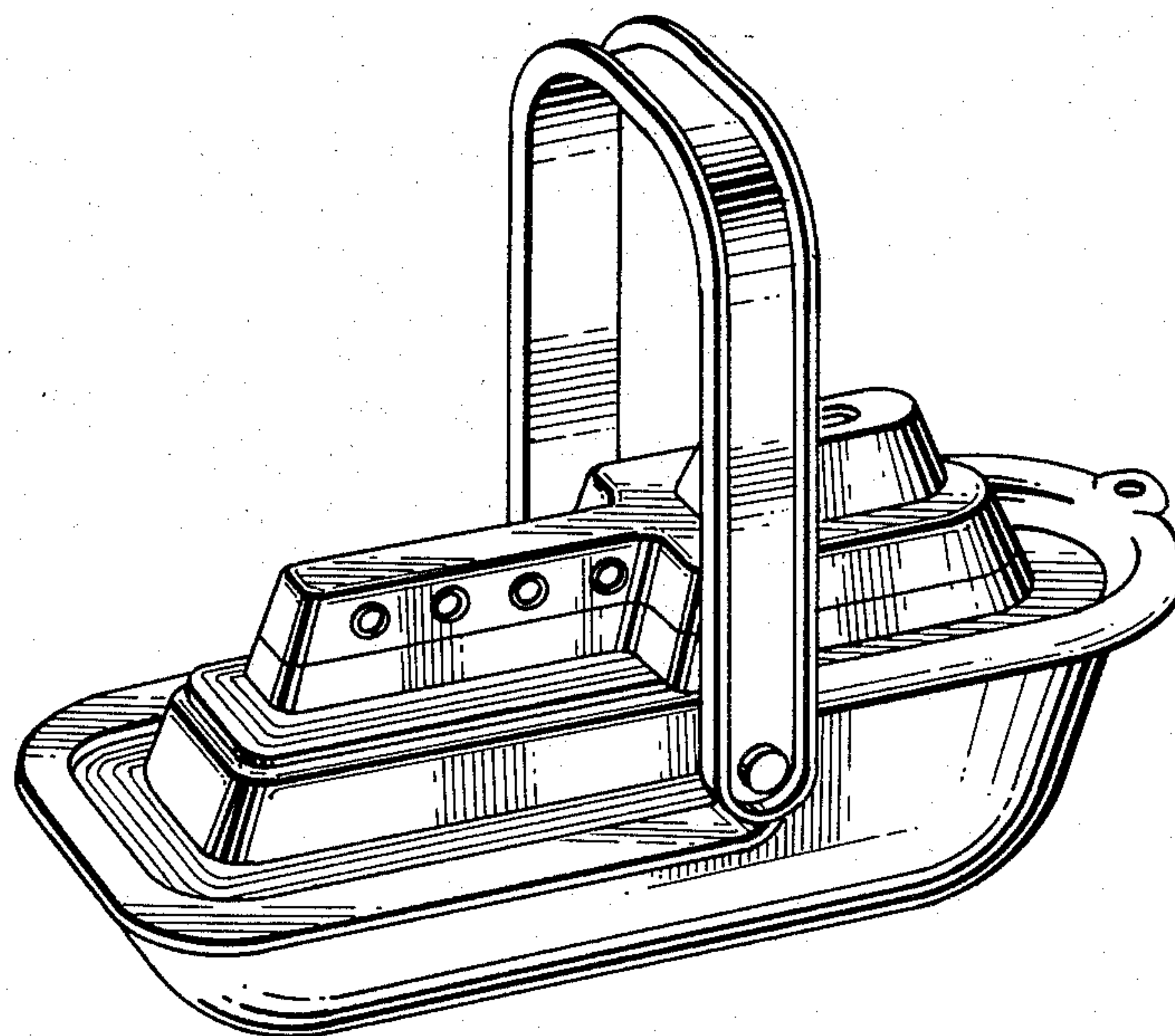
Primary Examiner—Louis S. Zarfes
Attorney, Agent, or Firm—Parkhurst & Oliff

[57] **CLAIM**

The ornamental design for a toy boat, as shown.

DESCRIPTION

FIG. 1 is a perspective view of a toy boat showing my new design;
FIG. 2 is a top plan view thereof;
FIG. 3 is a rear elevational view thereof;
FIG. 4 is a front elevational view thereof;
FIG. 5 is a left side elevational view thereof; and
FIG. 6 is a bottom plan view thereof.



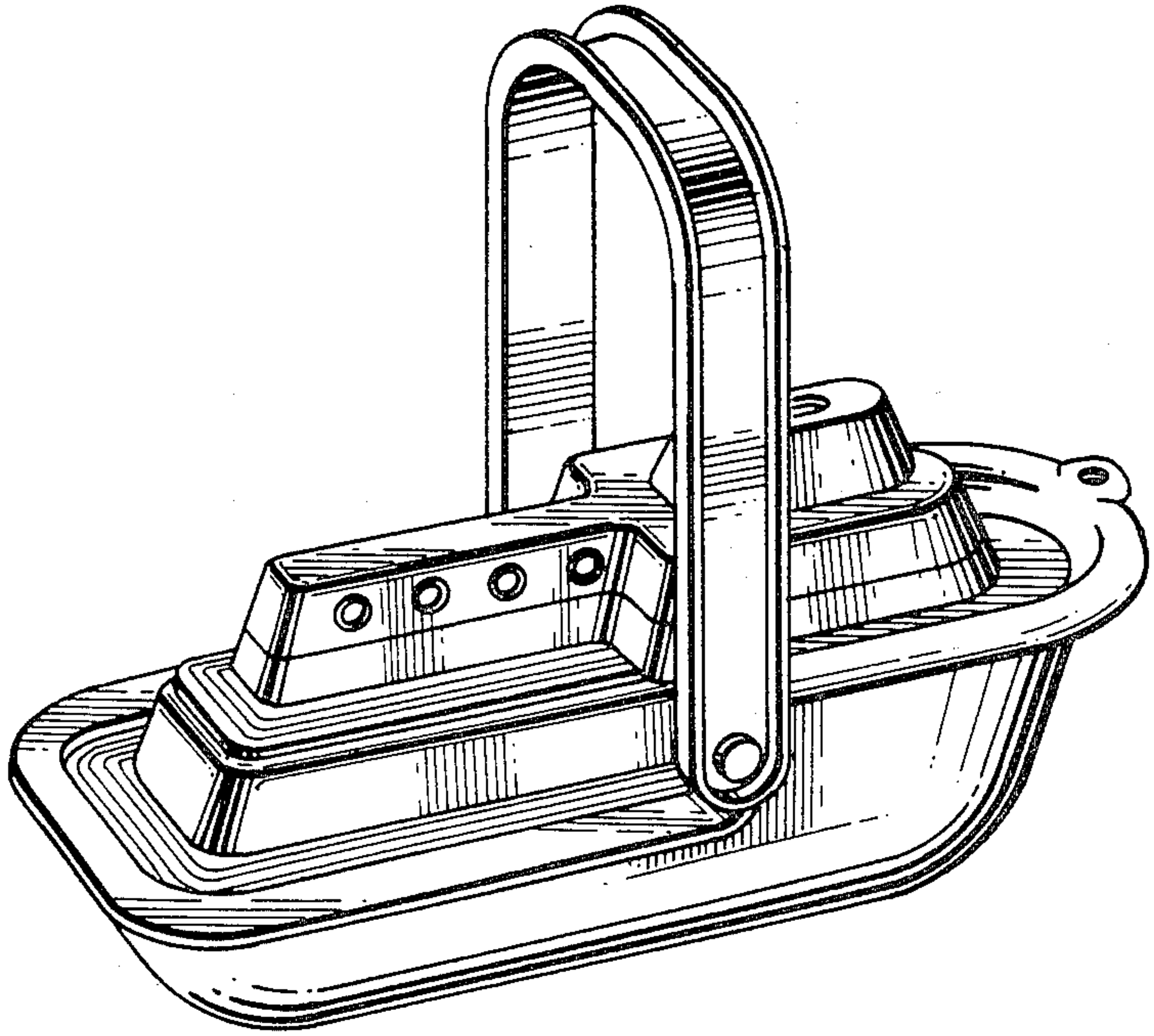


FIG. 1

FIG. 2

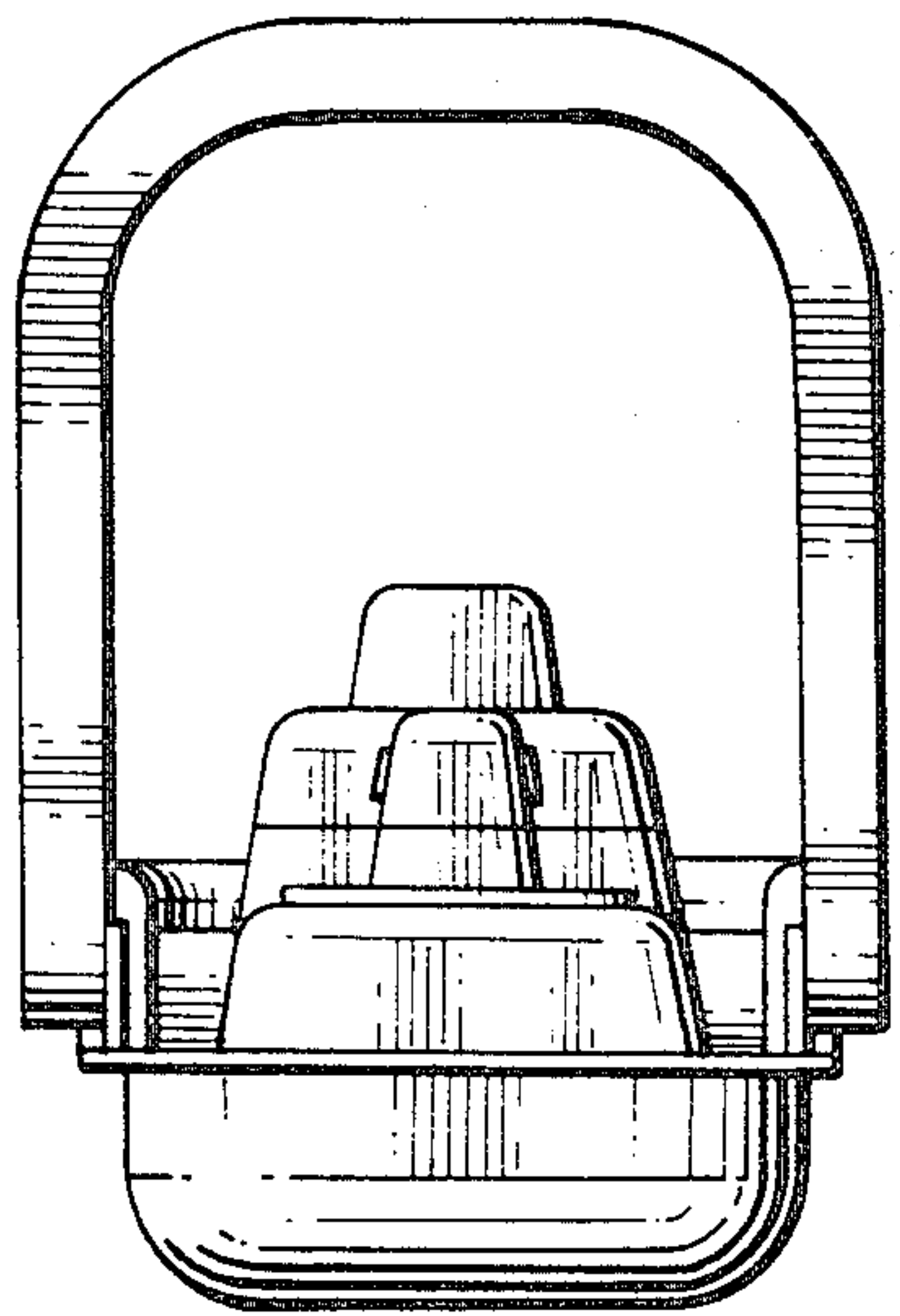
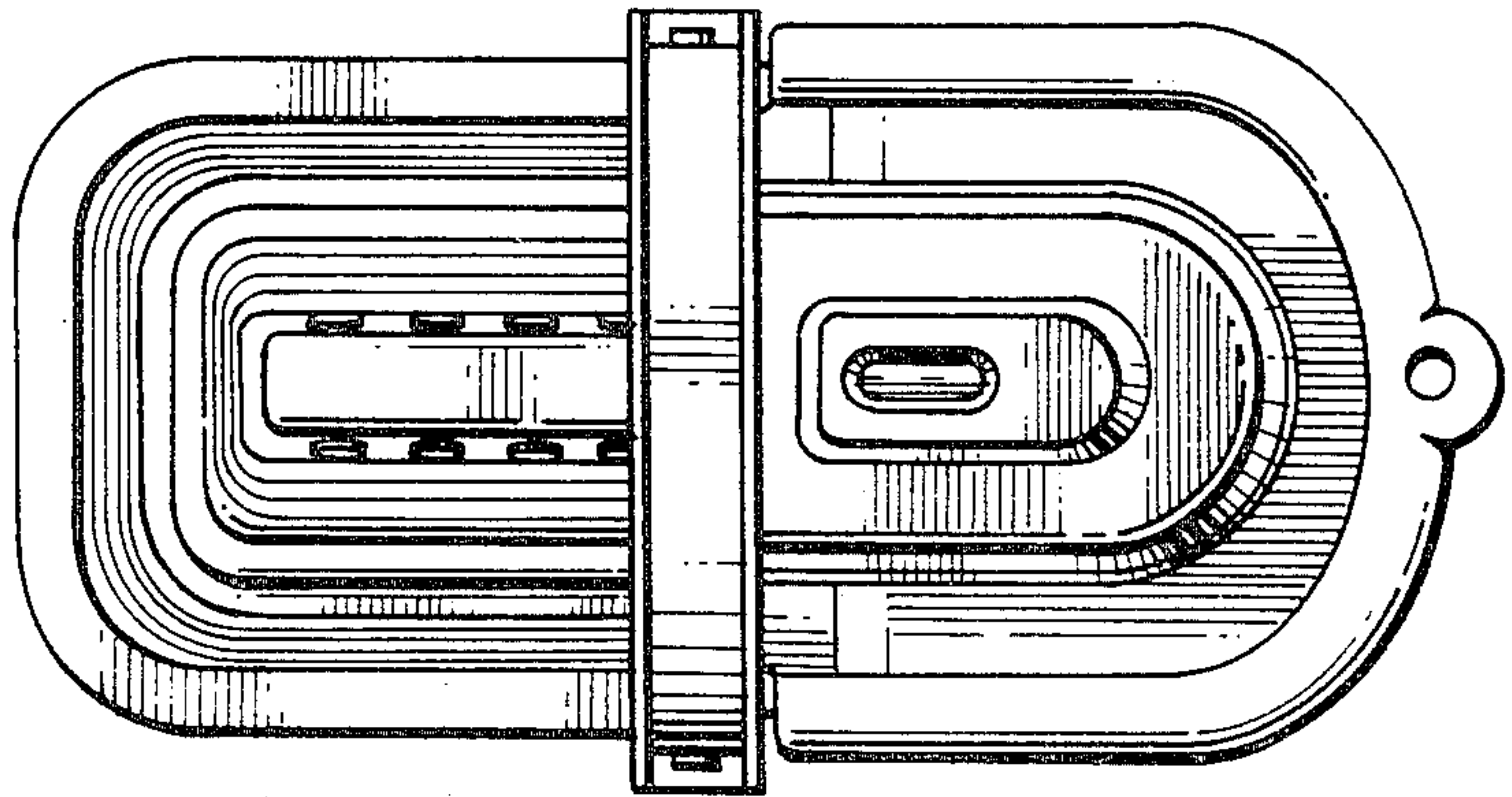


FIG. 3

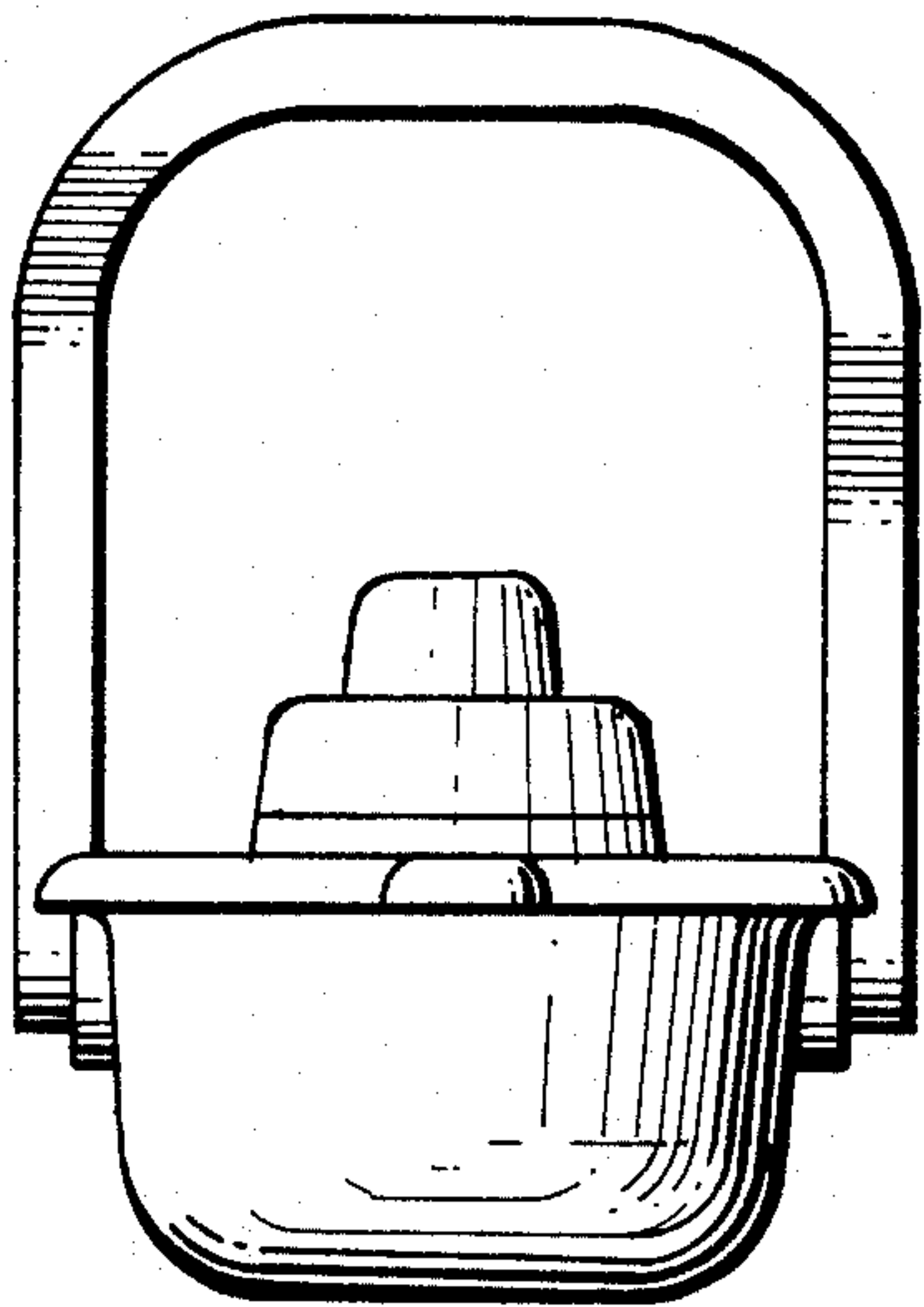


FIG. 4

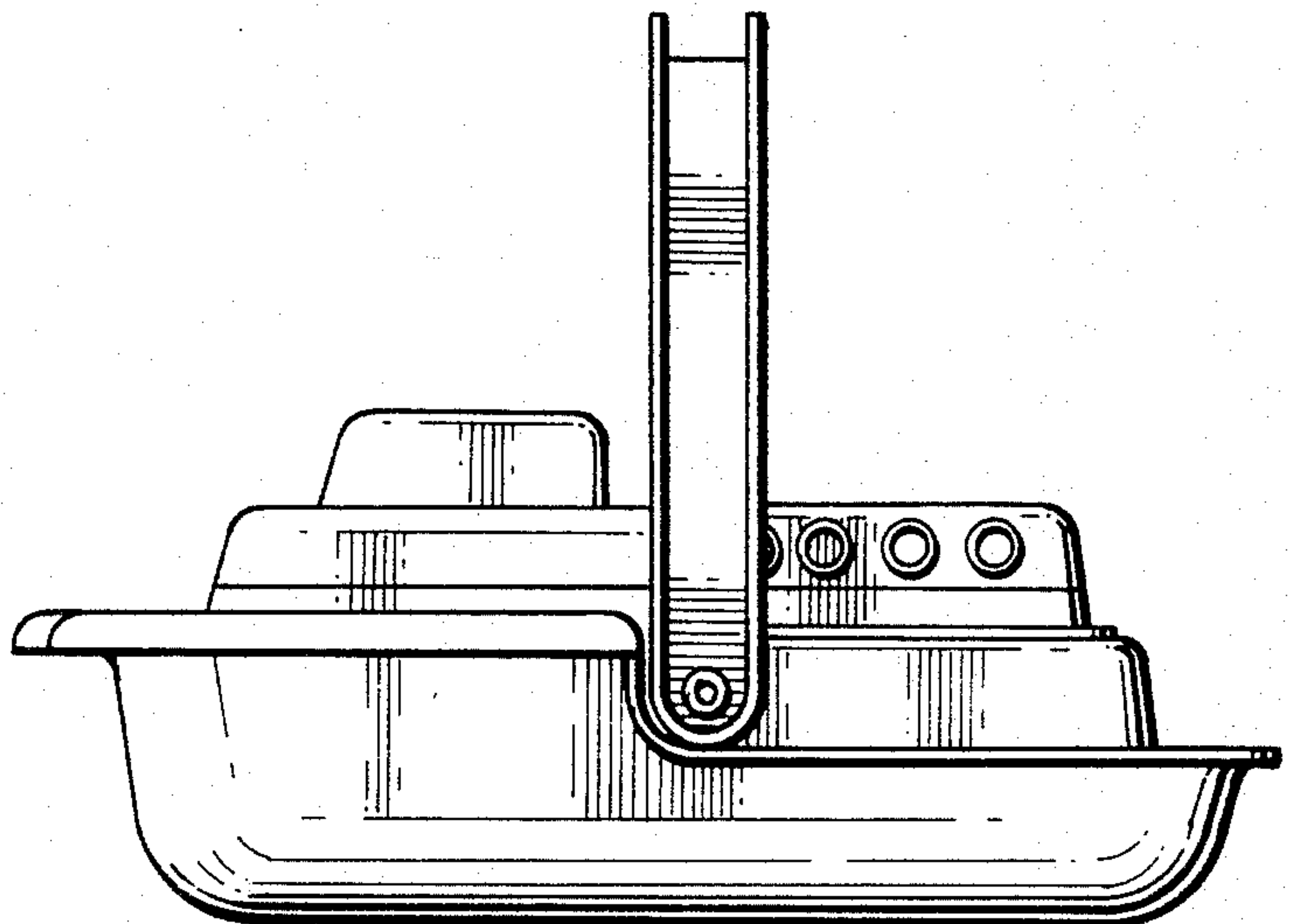


FIG. 5

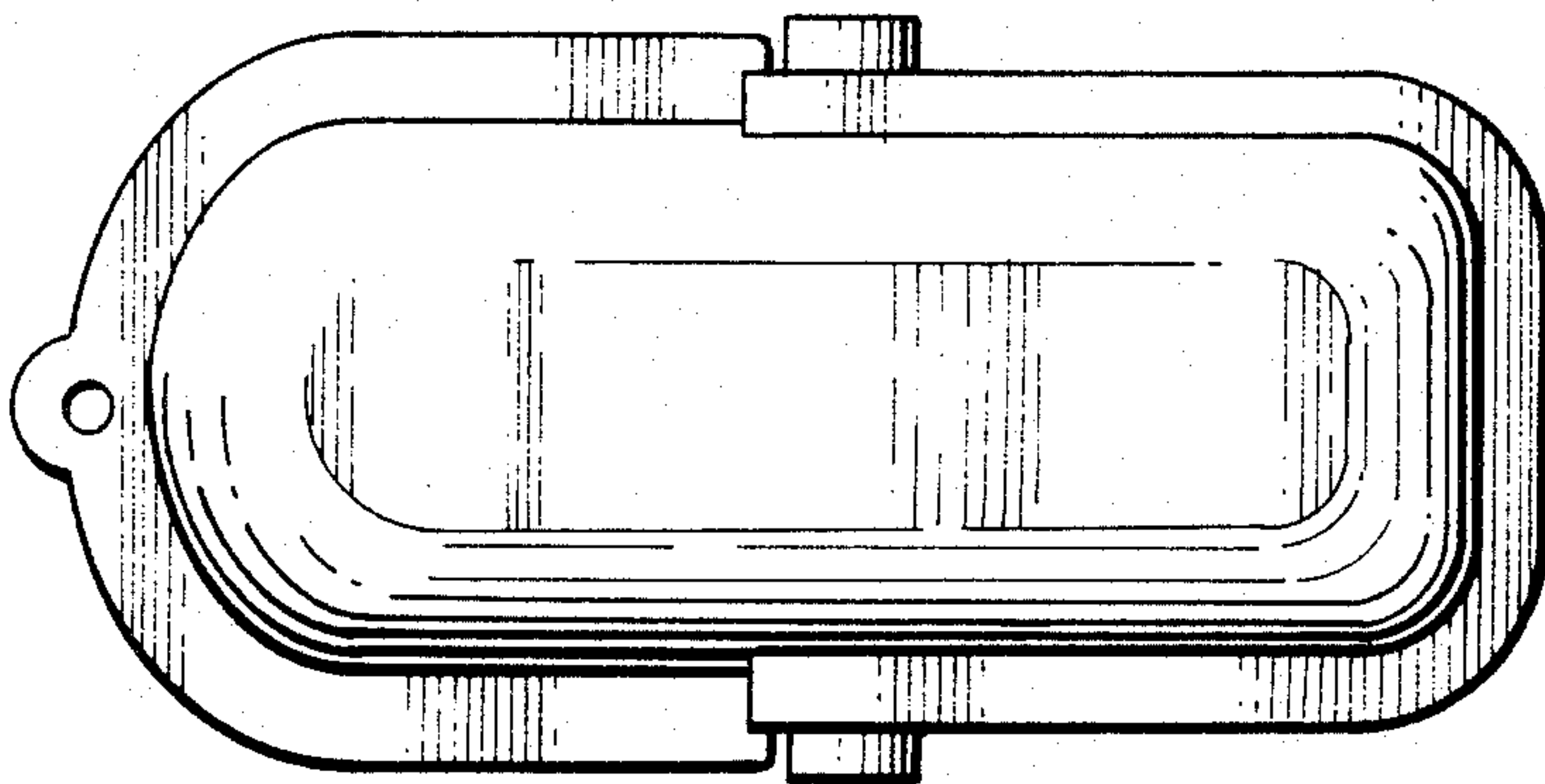


FIG. 6