

[54] CUTTER

[75] Inventor: Kouzou Hakoda, Fukuyama, Japan

[73] Assignee: Ryobi Limited, Tokyo, Japan

[\*\*] Term: 14 Years

[21] Appl. No.: 407,776

[22] Filed: Aug. 13, 1982

[30] Foreign Application Priority Data

Feb. 15, 1982 [JP] Japan ..... 57-6393

Mar. 9, 1982 [JP] Japan ..... 57-9734

[52] U.S. Cl. .... D15/125; D15/127

[58] Field of Search ..... D15/124, 125, 127, 133;  
52/72 R; 83/424, 435, 597, 452, 591, 592, 607,  
613

[56] References Cited

U.S. PATENT DOCUMENTS

D. 143,094 12/1945 Phillis ..... D15/125

1,954,605 4/1934 Van Berkel ..... 83/591  
2,293,216 8/1942 Reside ..... 51/72 R  
3,297,068 1/1967 Bloomquist et al. .... 83/591  
4,183,294 1/1980 Williams et al. .... 83/435  
4,262,570 4/1981 Doyle ..... 83/607

Primary Examiner—B. J. Bullock  
Attorney, Agent, or Firm—Frishauf, Holtz, Goodman &  
Woodward

[57] CLAIM

The ornamental design for a cutter, as shown.

DESCRIPTION

FIG. 1 is a front elevational view of a cutter showing my new design;  
FIG. 2 is a rear elevational view thereof;  
FIG. 3 is a side elevational view taken from the right of FIG. 1;  
FIG. 4 is a side elevational view taken from the left of FIG. 1;  
FIG. 5 is a top plan view thereof; and  
FIG. 6 is a bottom plan view thereof.

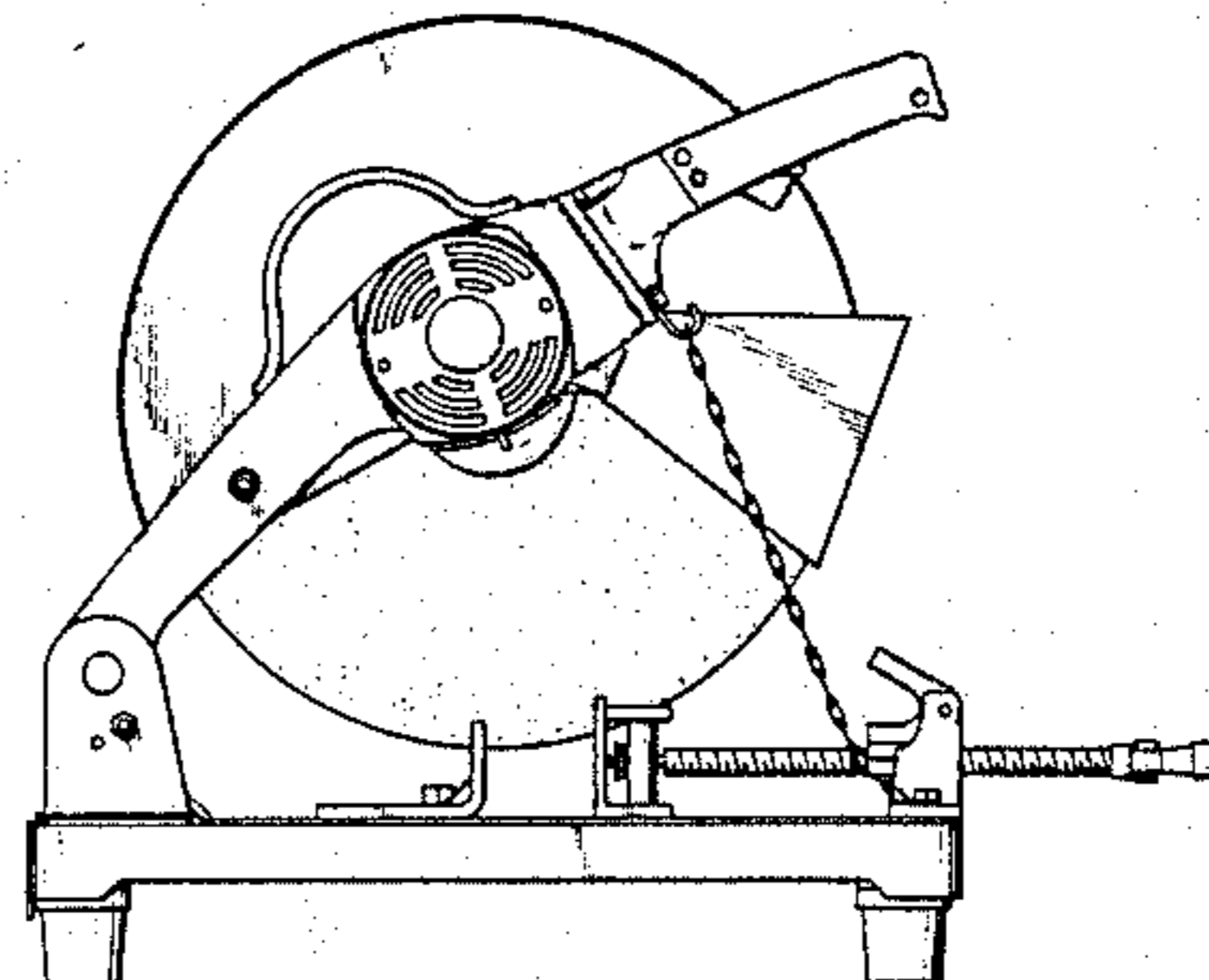
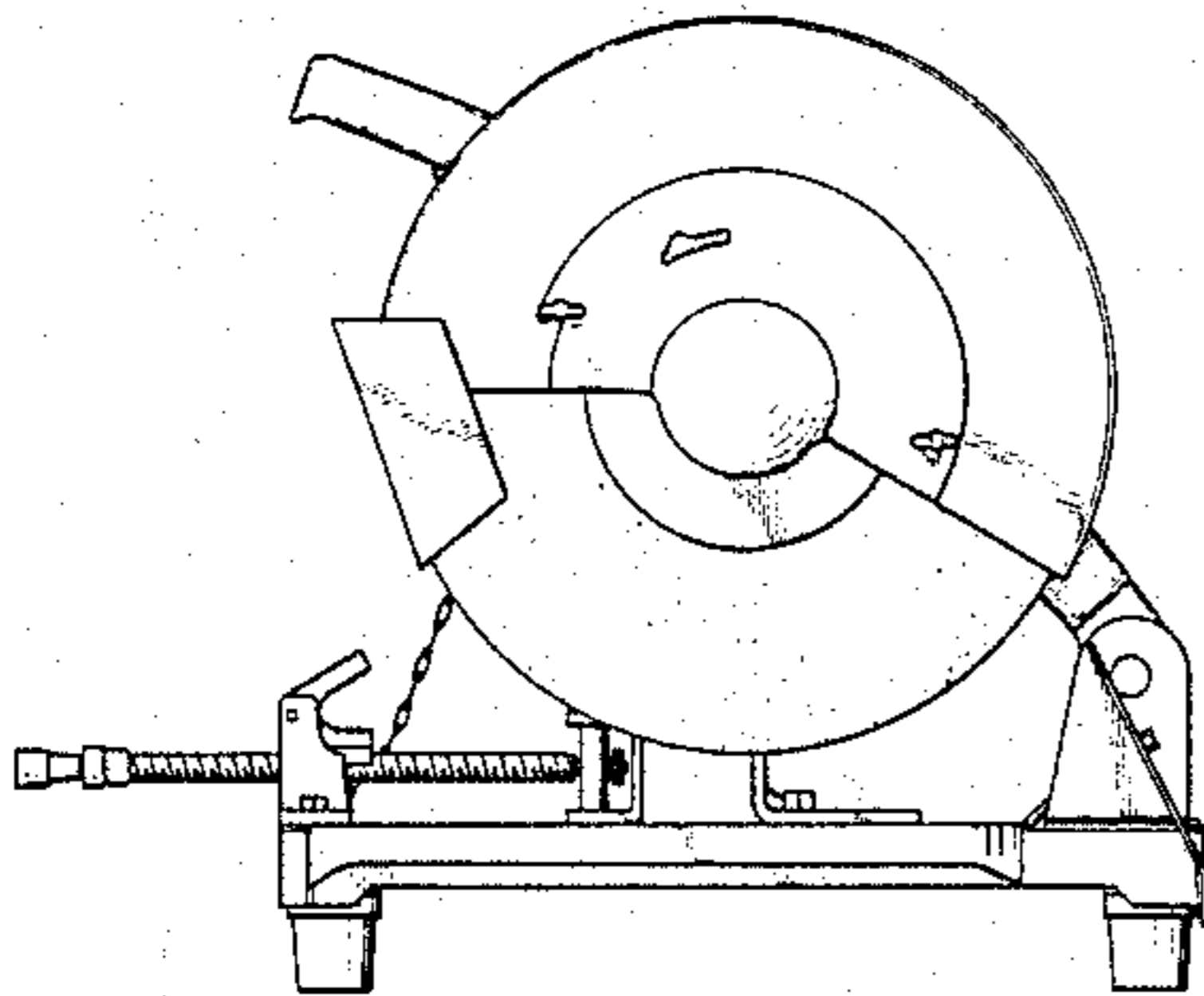


FIG. 1

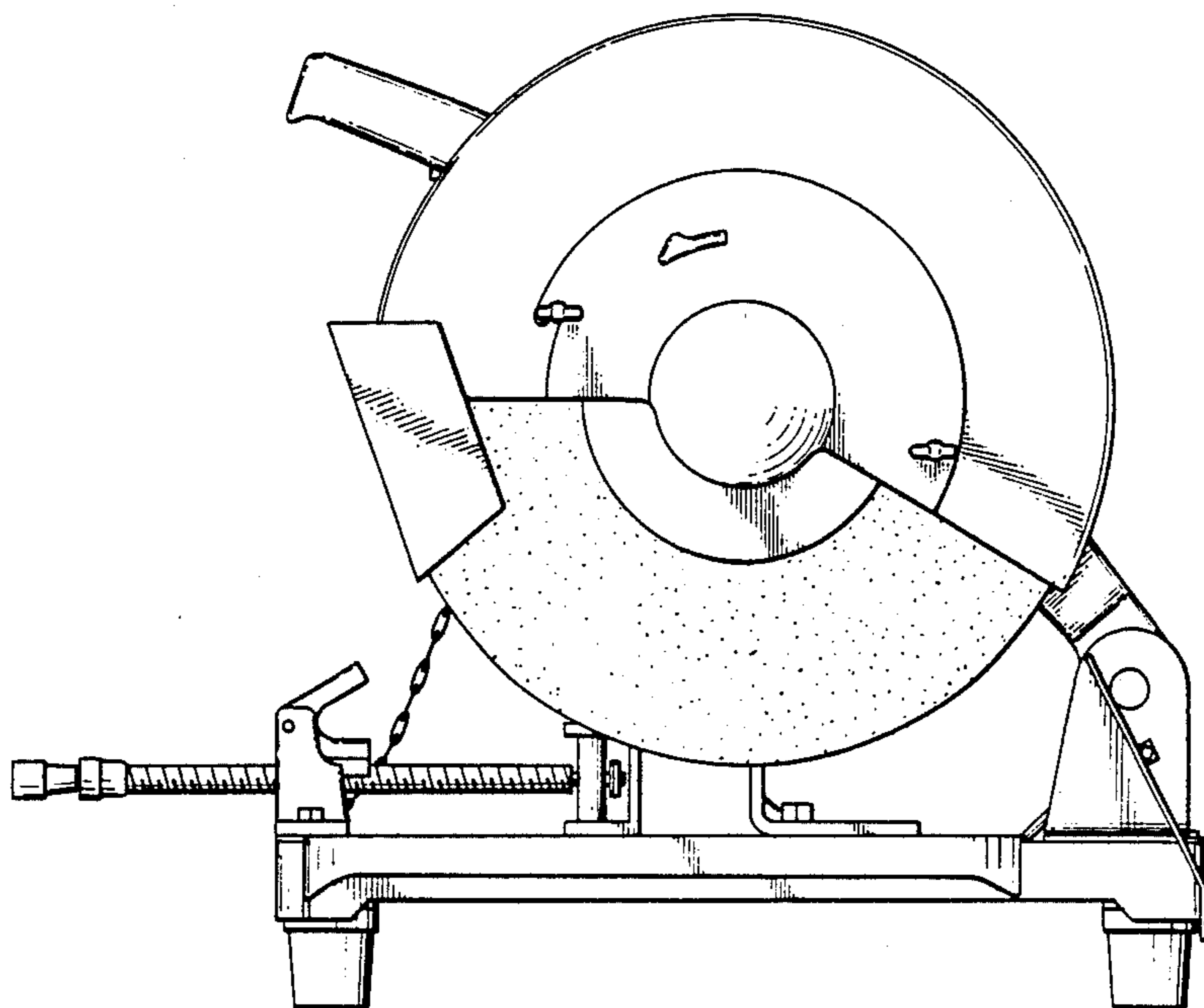
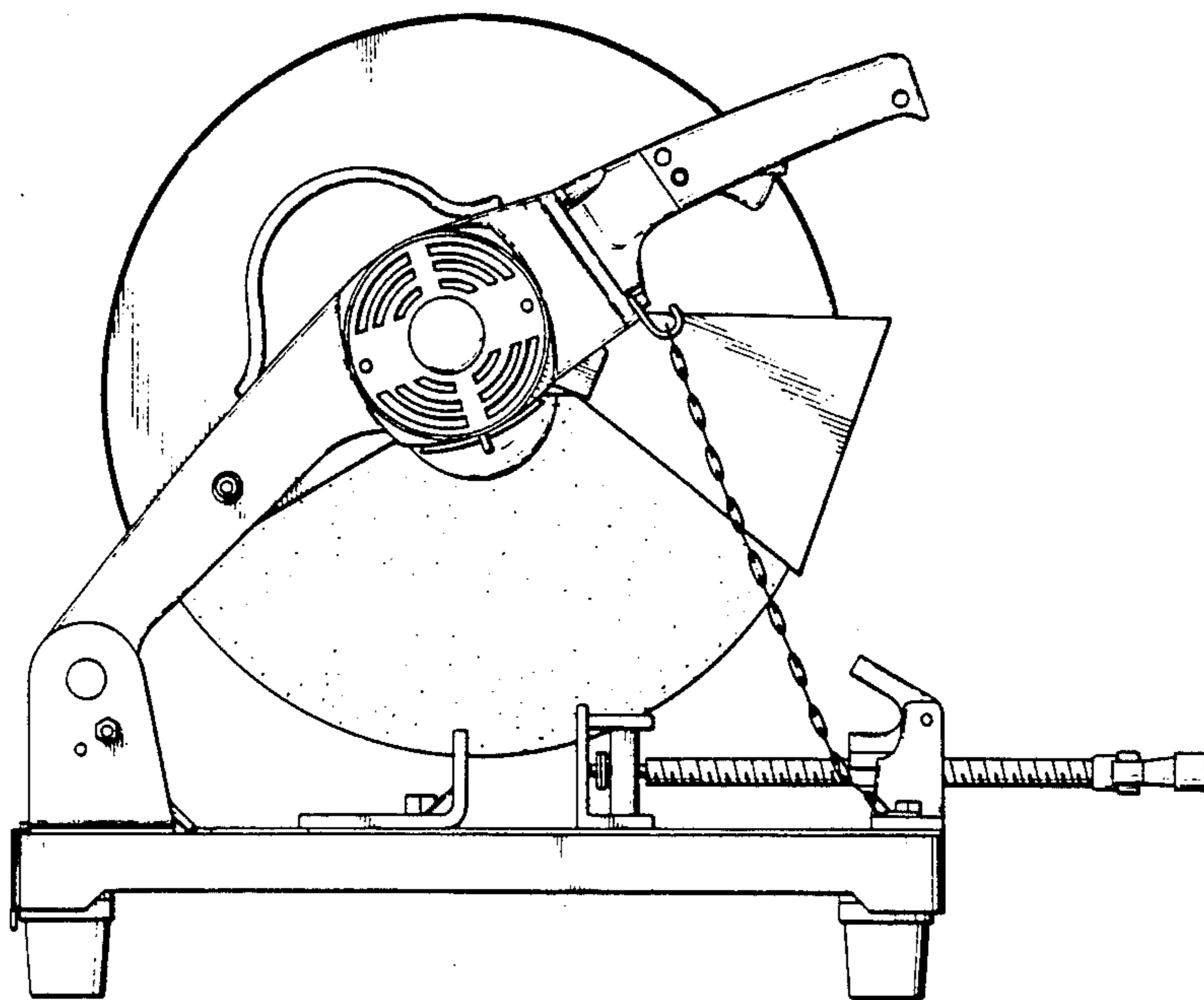
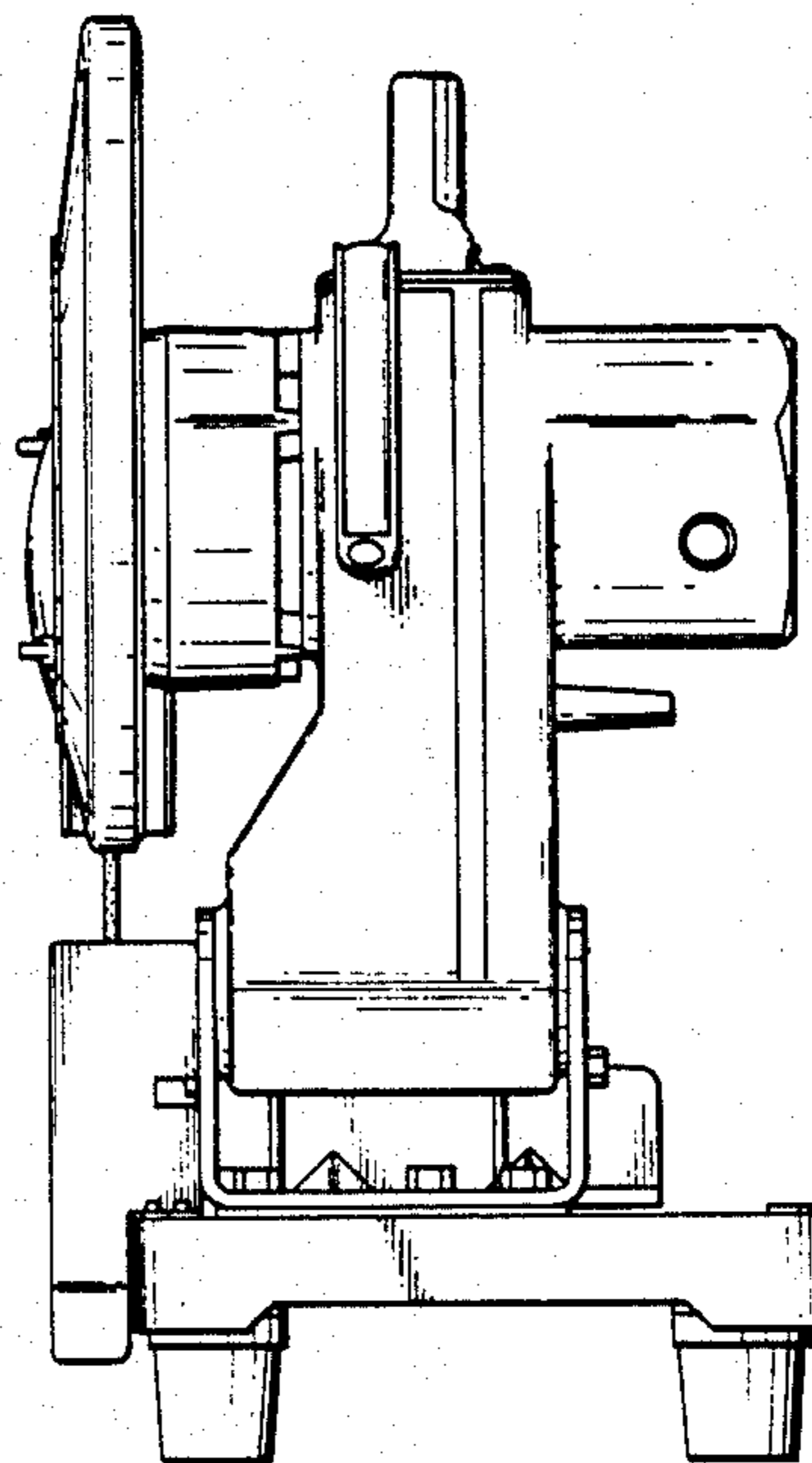


FIG. 2



*FIG. 3*



*FIG. 4*

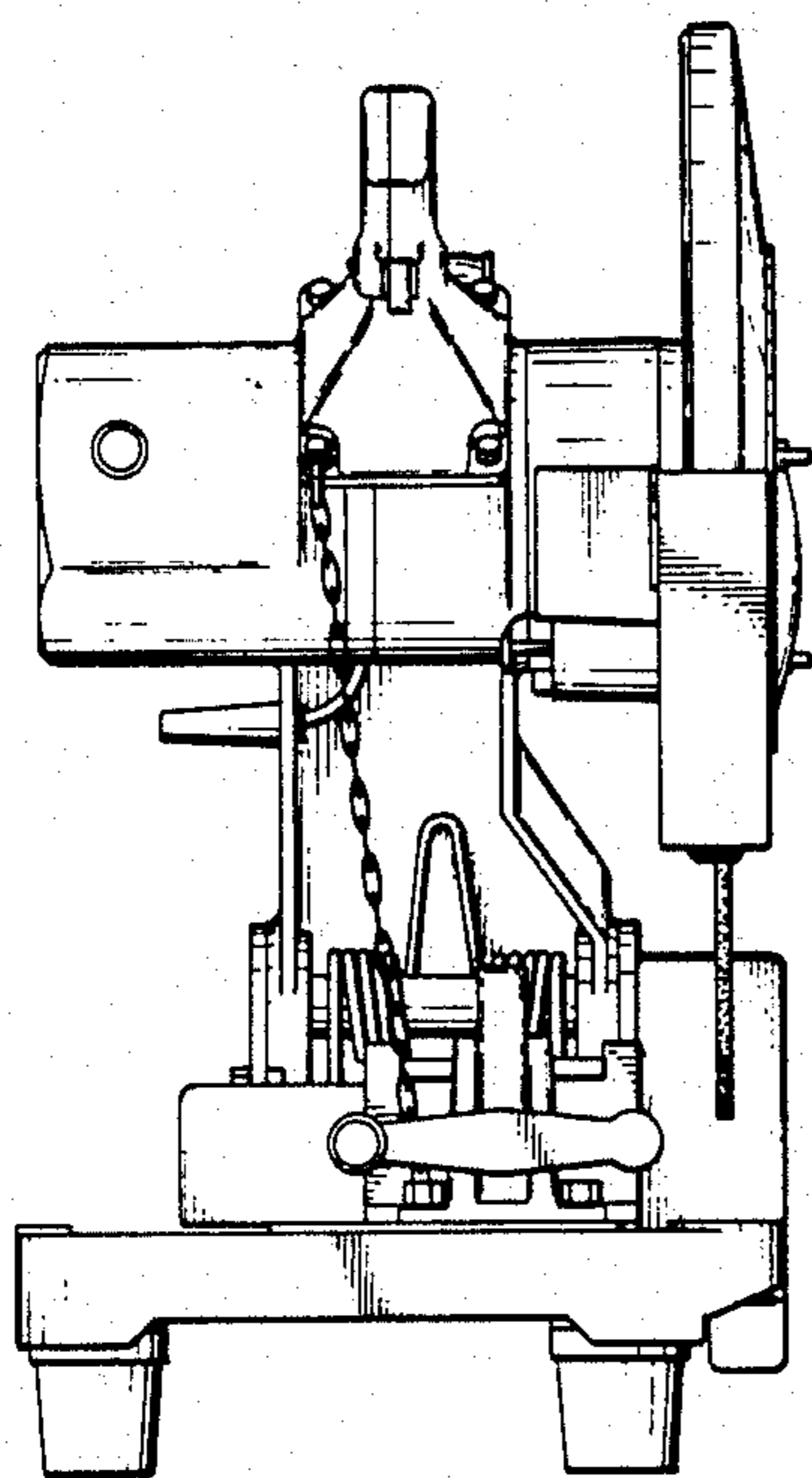


FIG. 5

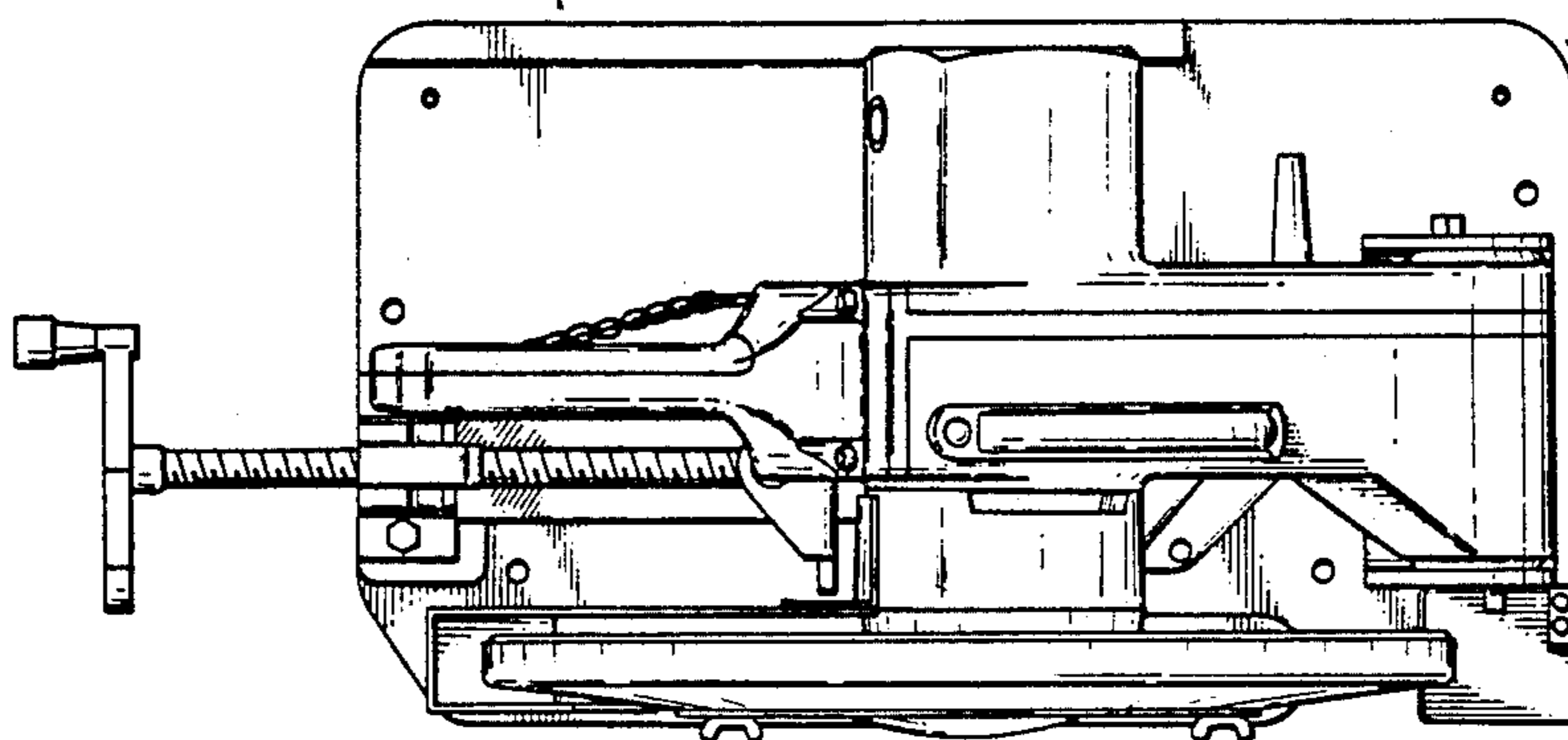


FIG. 6

