

[54] TILT ROTATE BASE FOR A COMPUTER DISPLAY

[75] Inventor: John A. Wiseman, Winchester, England

[73] Assignee: International Business Machines Corporation, Armonk, N.Y.

[\*\*] Term: 14 Years

[21] Appl. No.: 322,040

[22] Filed: Nov. 16, 1981

[30] Foreign Application Priority Data

May 26, 1981 [GB] United Kingdom ..... 1 000 663

[52] U.S. Cl. .... D14/114; D6/496

[58] Field of Search ..... D14/100-117; 340/365 R, 700, 711, 720; D6/85, 155, 174, 181, 184, 185, 194, 188; 248/441.1, 447.2, 442.2, 664, 346, 349

[56] References Cited

U.S. PATENT DOCUMENTS

- D. 244,205 5/1977 Benham et al. .... D14/113
- D. 253,594 12/1979 Antenbring ..... D14/114
- 3,396,932 8/1968 Slaga ..... 248/349
- 3,479,632 11/1969 Galles ..... 248/349 X

FOREIGN PATENT DOCUMENTS

16913 10/1980 European Pat. Off. .... 248/349

Primary Examiner—Susan J. Lucas

Attorney, Agent, or Firm—Mark F. Chadurjian; F. D. Poag; J. Jancin, Jr.

[57] CLAIM

The ornamental design for a tilt rotate base for a computer display, substantially as shown and described.

DESCRIPTION

FIG. 1 is a front, top and side view of the tilt rotate base for a computer display showing my new design, with articulated parts of the base rotated to show the front of the lower part and the front and left side of the upper part, and with a computer display shown in phantom thereon.

FIG. 2 is a rear and left side perspective of the base of FIG. 1 with a computer display shown in phantom thereon.

FIG. 3 is a left side perspective view of the base of FIGS. 1&2 tilted forward by relative motion of the articulated parts of the assembly with a computer display shown in phantom thereon.

FIG. 4 is a frontal view of the base of FIGS. 1-3.

FIG. 5 is a rear view of the base of FIGS. 1-3.

FIG. 6 is a right side view of the base of FIGS. 1-3.

FIG. 7 is a left side view of the base of FIGS. 1-3.

The phantom representation of the computer display as shown in FIGS. 1-3 is made merely for the purpose of illustrating the environment in which the base of the invention is used. The computer display as shown in broken lines is not a part of the article embodying the claimed design. Furthermore, the top and bottom surfaces of the base are unornamented and are hidden from view when in use.

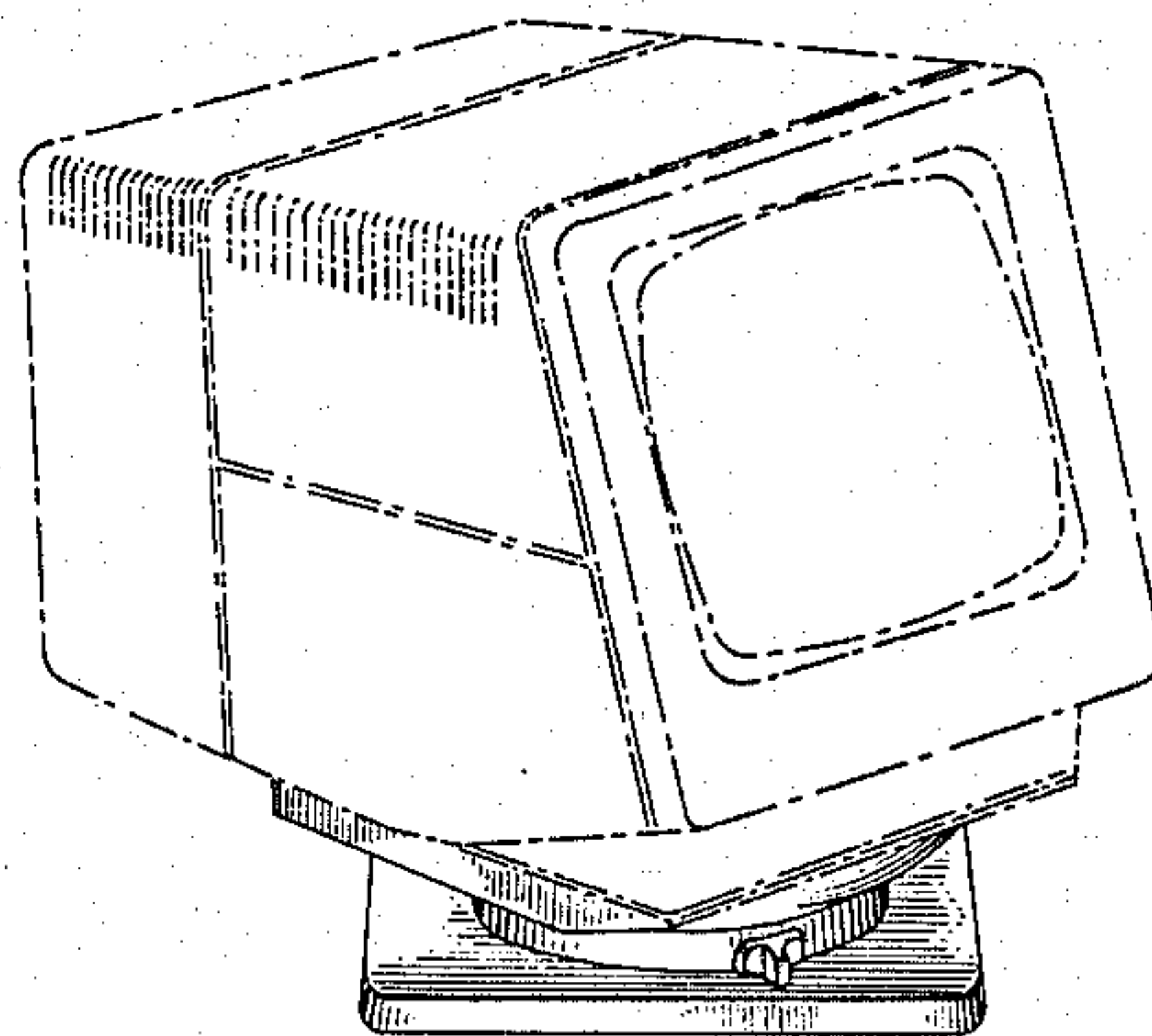


FIG. 1.

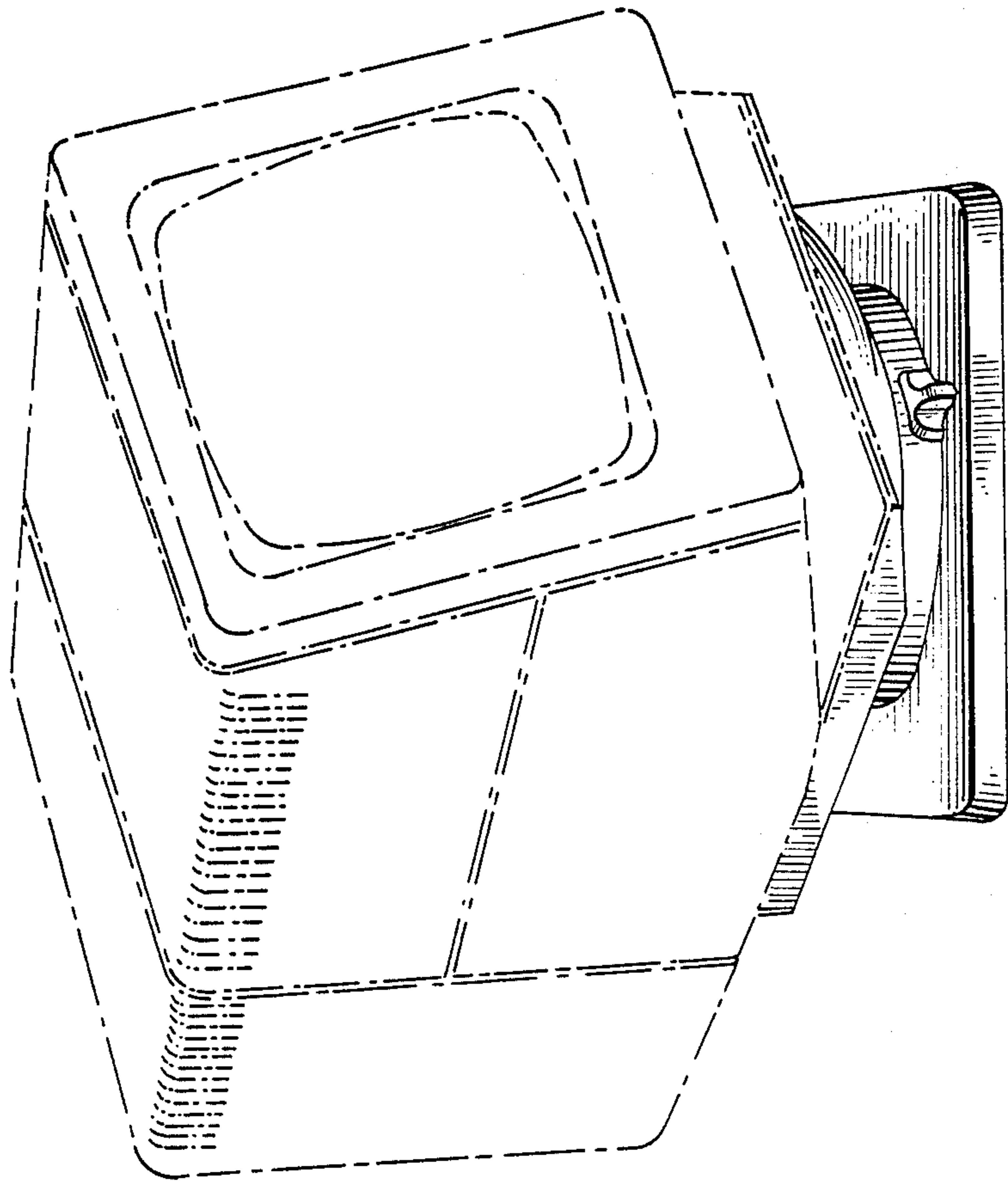


FIG. 2.

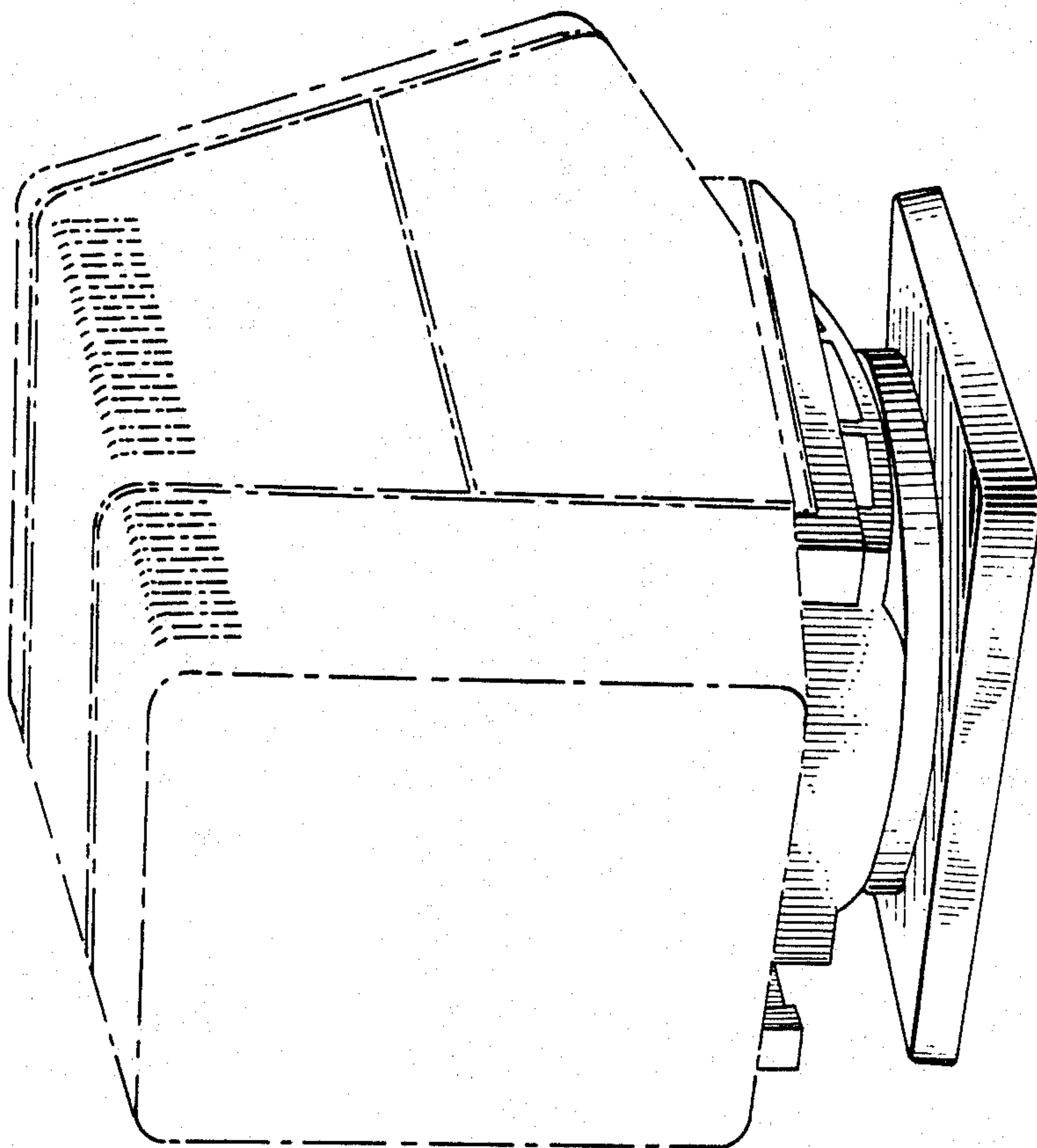


FIG. 3.

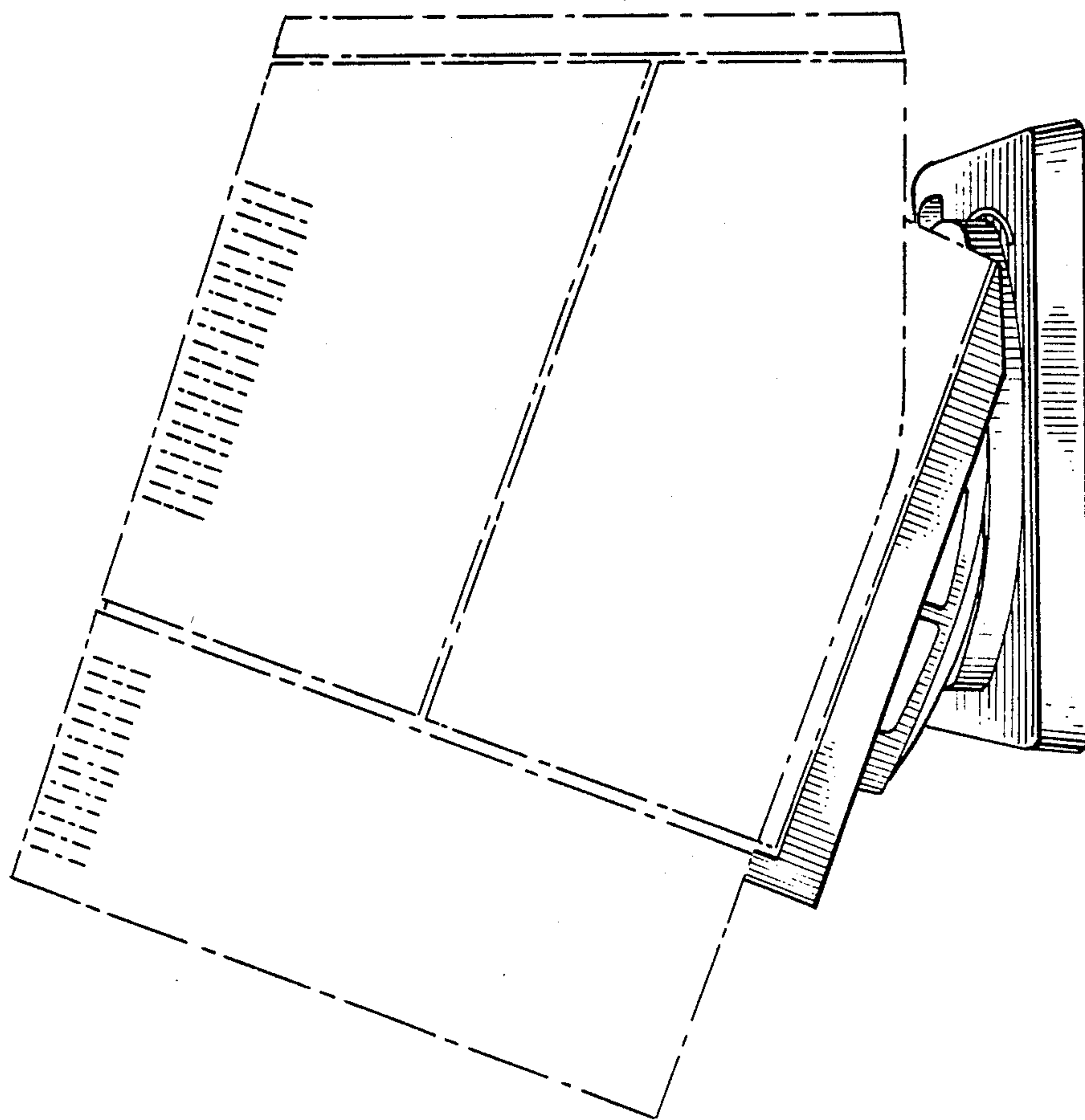




FIG. 4.

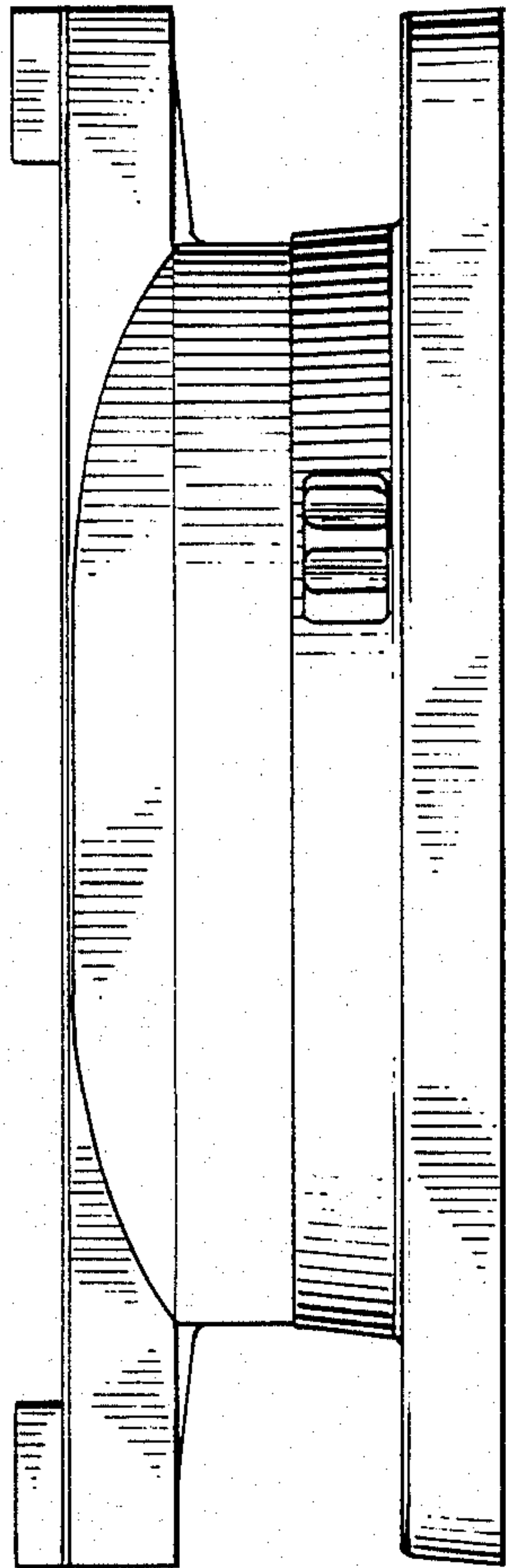


FIG. 5.

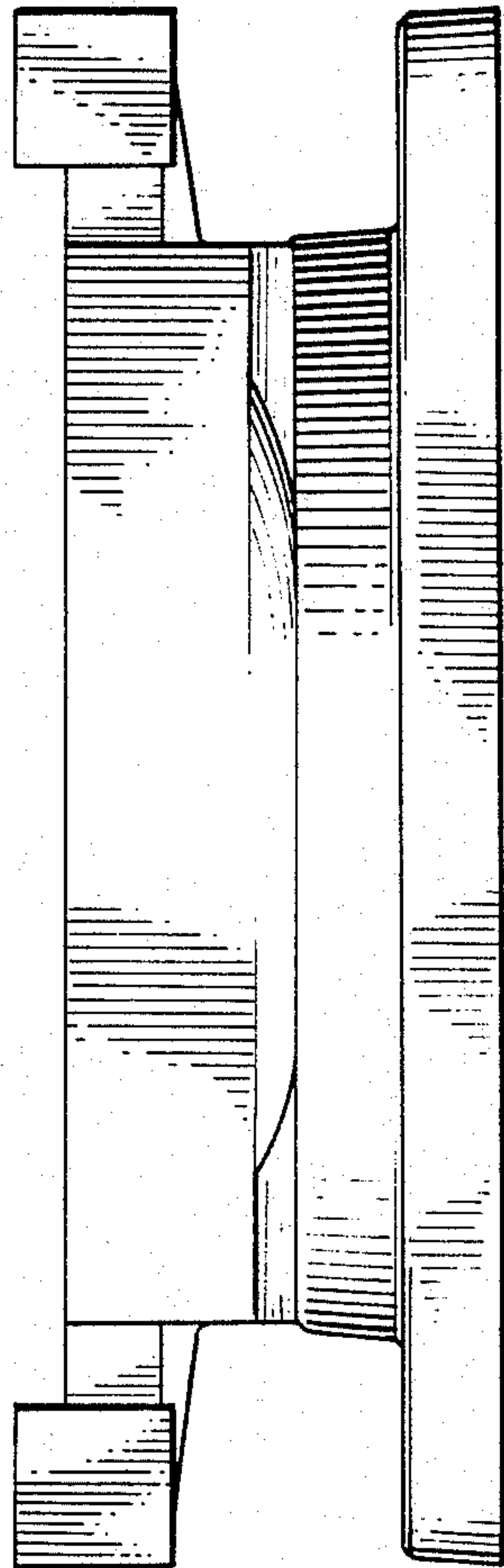


FIG. 6.

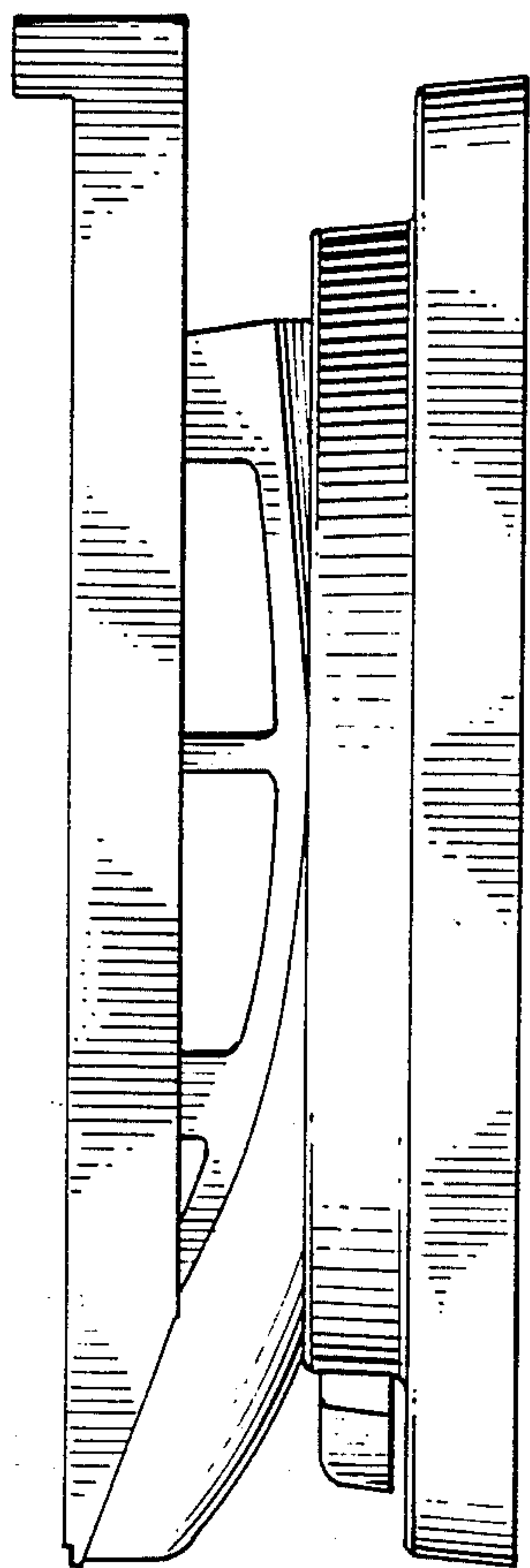


FIG. 7.

