

United States Patent [19]

Noonan

[11] Patent Number: **Des. 277,579**

[45] Date of Patent: **** Feb. 12, 1985**

[54] **DOCUMENT SCANNER**

[75] Inventor: **Daniel T. Noonan, Irving, Tex.**

[73] Assignee: **The Mead Corporation, Dayton, Ohio**

[**] Term: **14 Years**

[21] Appl. No.: **355,802**

[22] Filed: **Mar. 8, 1982**

[52] U.S. Cl. **D14/107**

[58] Field of Search **D14/100-117;**
235/435, 458, 462, 466

[56] **References Cited**

U.S. PATENT DOCUMENTS

- | | | | | |
|------------|---------|----------------|-------|---------|
| D. 209,450 | 12/1967 | Sottsass | | D14/107 |
| D. 225,332 | 12/1972 | Aderman et al. | | D14/112 |
| D. 233,044 | 10/1974 | Aderman | | D14/107 |

Primary Examiner—Susan J. Lucas
Attorney, Agent, or Firm—Biebel, French & Nauman

[57] **CLAIM**

The ornamental design for a document scanner, as shown and described.

DESCRIPTION

FIG. 1 is a left front perspective view of the document scanner of my design;
FIG. 2 is a top plan view thereof on an enlarged scale;
FIG. 3 is a front elevational view thereof on an enlarged scale;
FIG. 4 is a left side elevational view thereof on an enlarged scale;
FIG. 5 is a right side elevational view thereof on an enlarged scale; and
FIG. 6 is a rear elevational view thereof on an enlarged scale.

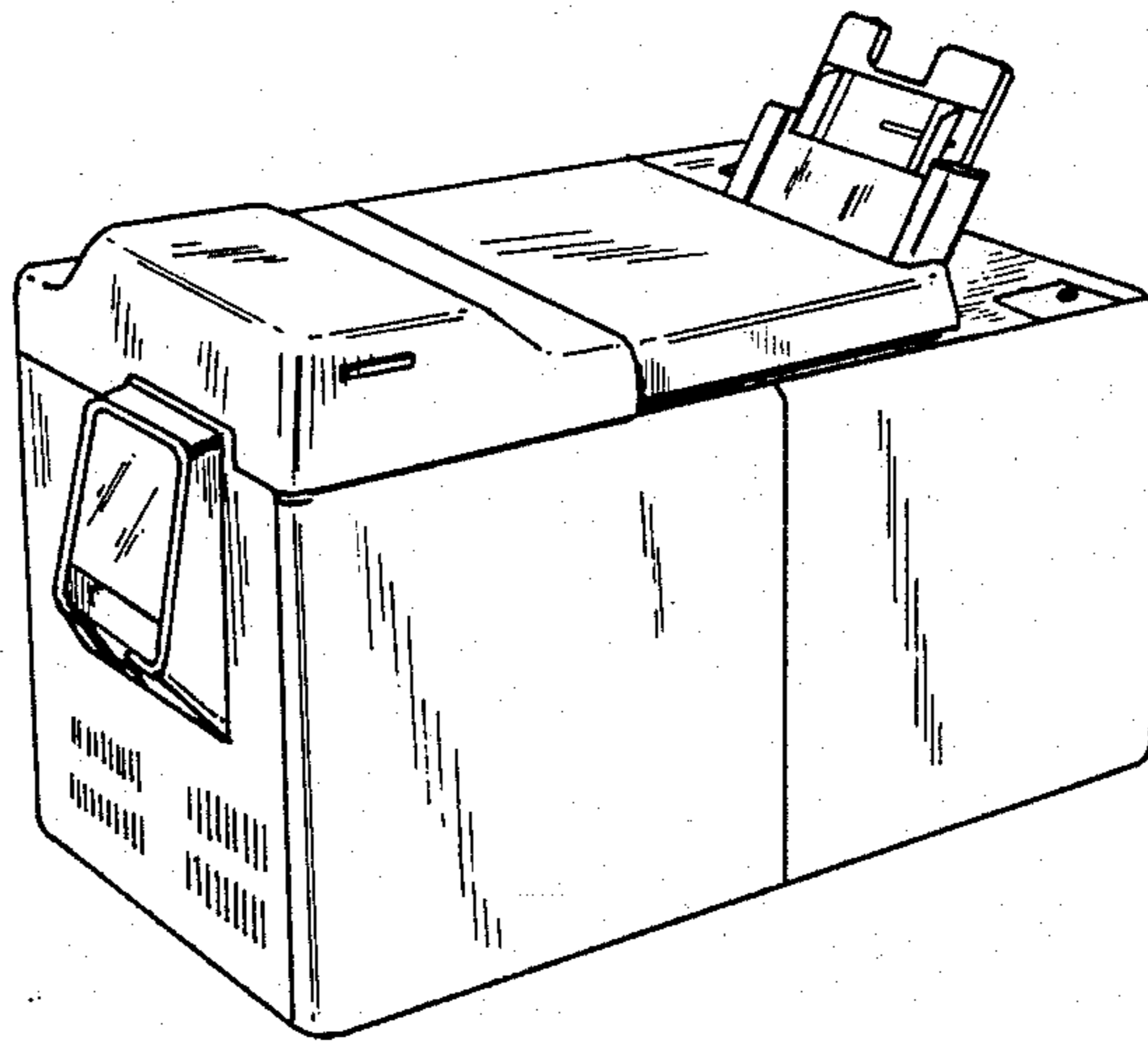


FIG-1

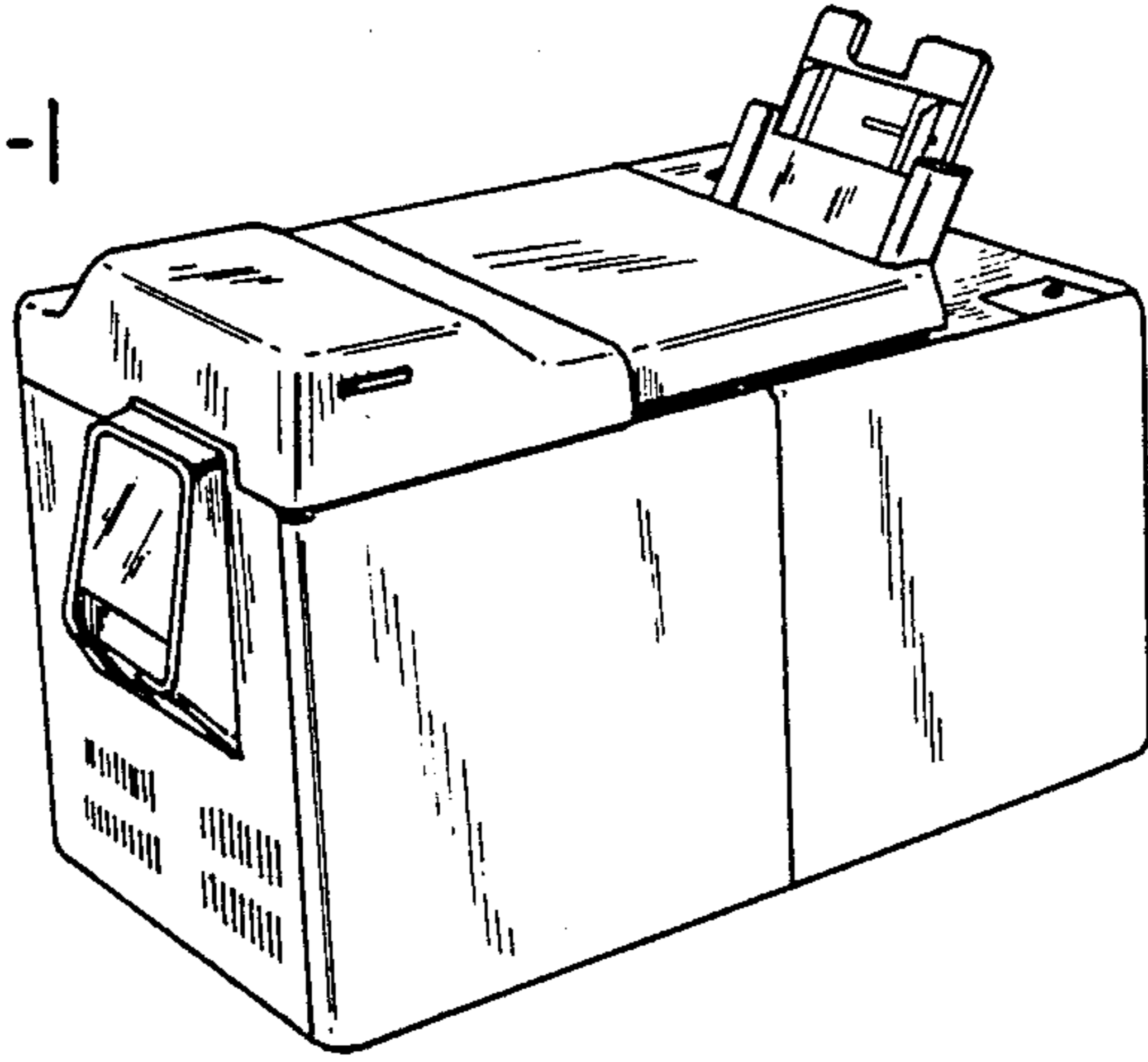


FIG-2

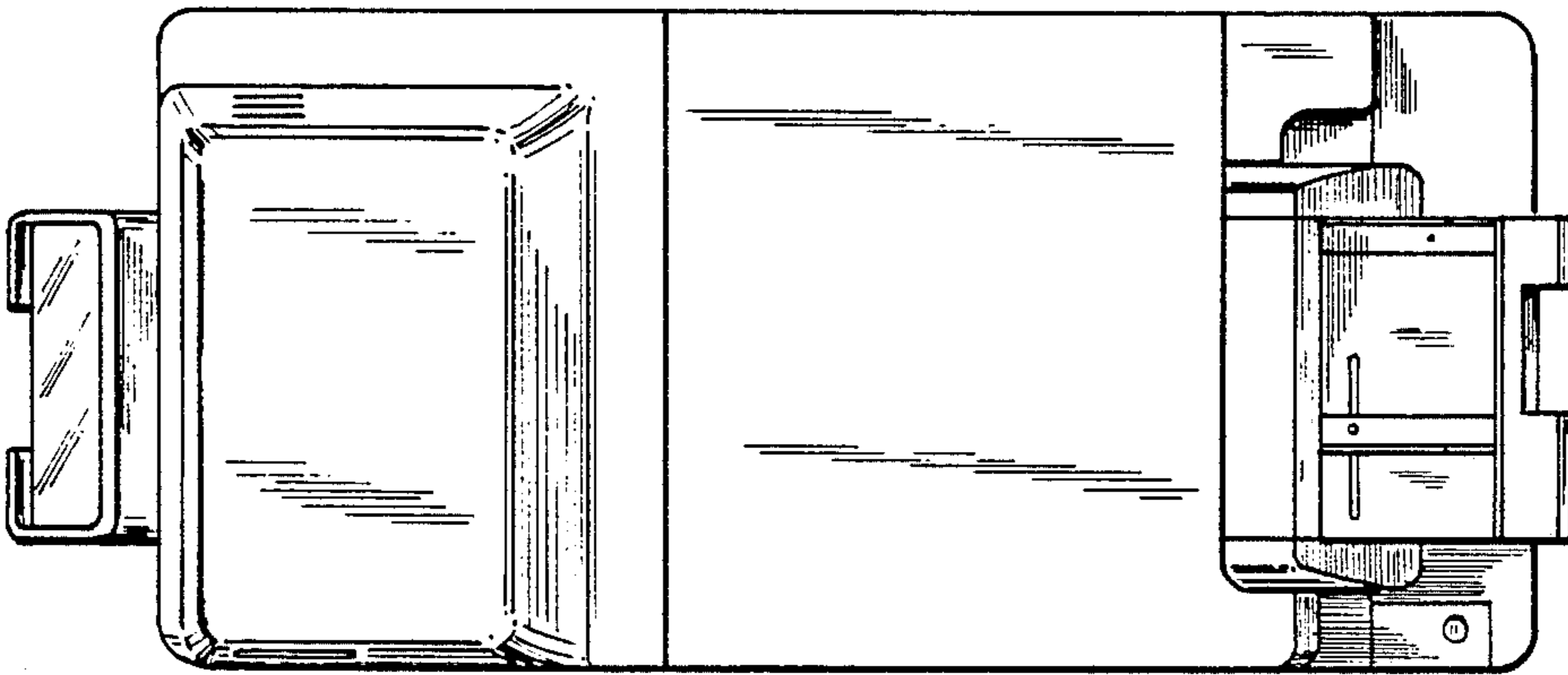


FIG-3

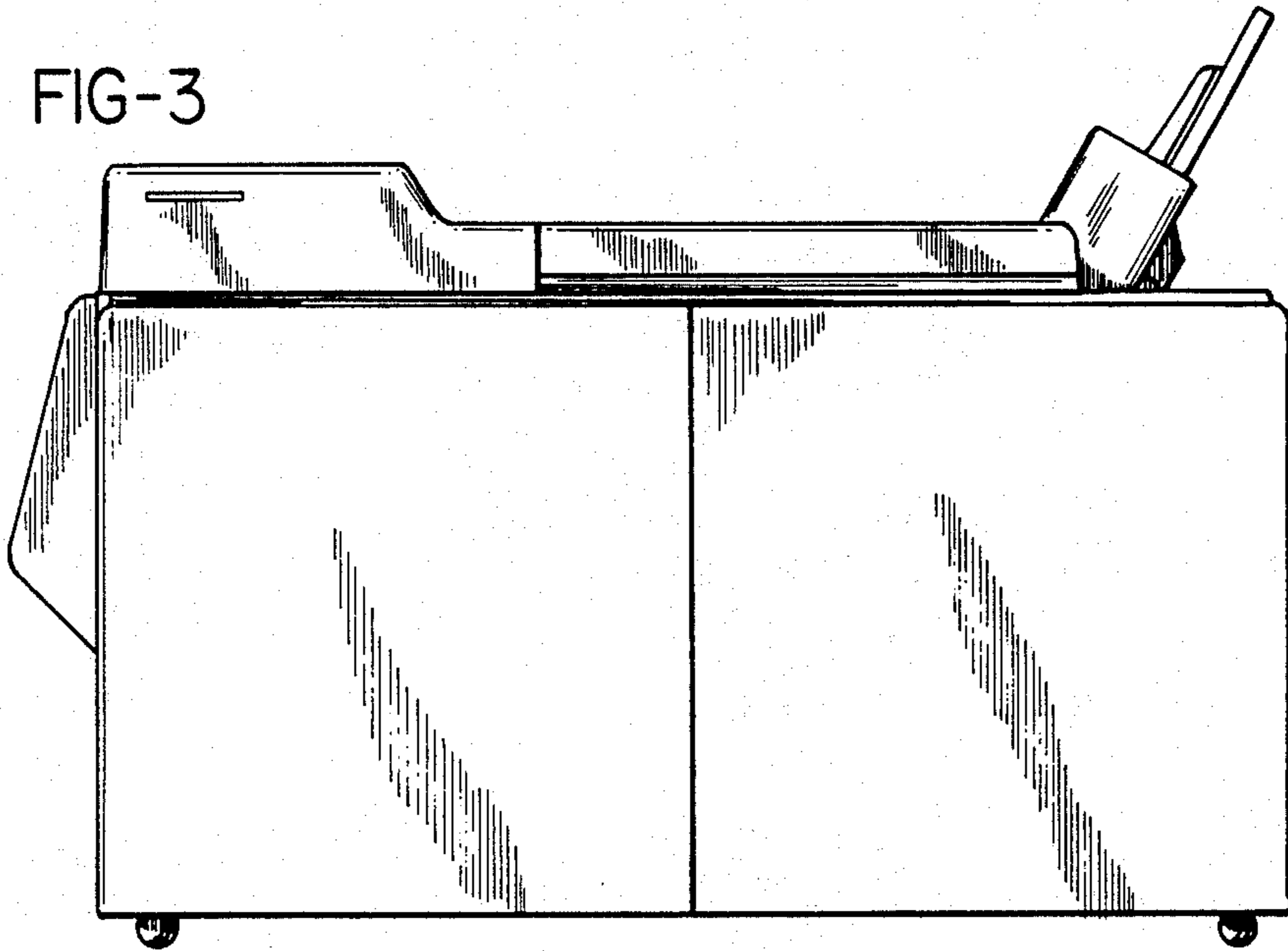


FIG-4

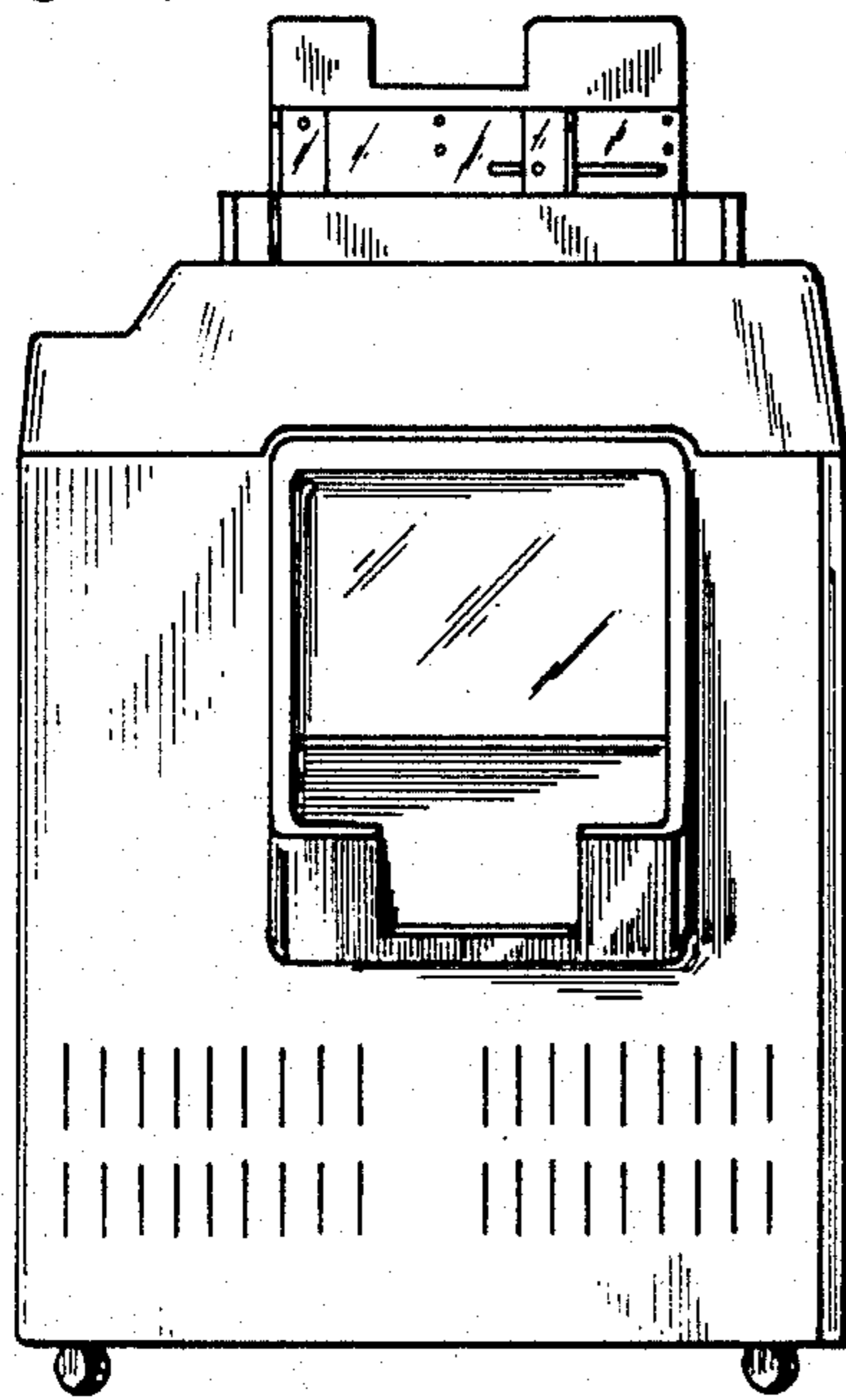


FIG-5

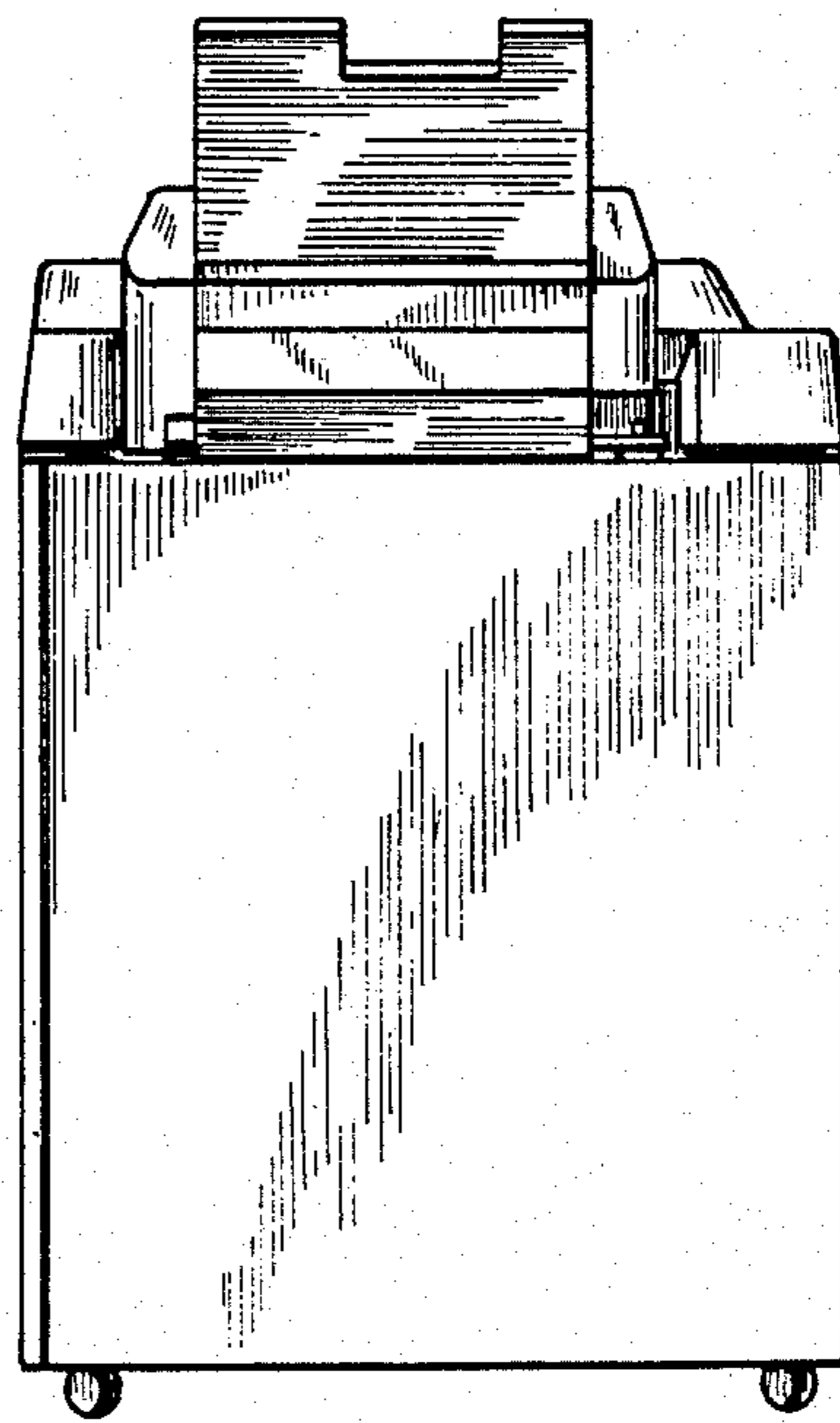


FIG-6

