

[54] ANTENNA BASE

[75] Inventor: James D. Nichols, Carmichael, Calif.

[73] Assignee: Jones Futura Foundation, Ltd., Fair Oaks, Calif.

[**] Term: 14 Years

[21] Appl. No.: 399,725

[22] Filed: Jul. 19, 1982

[52] U.S. Cl. D14/91

[58] Field of Search D14/86, 91;
343/880-882

[56] References Cited

U.S. PATENT DOCUMENTS

4,295,621 10/1981 Siryj 343/882 X
4,404,565 9/1983 Gurney et al. 343/881

FOREIGN PATENT DOCUMENTS

1292335 3/1962 France 343/880

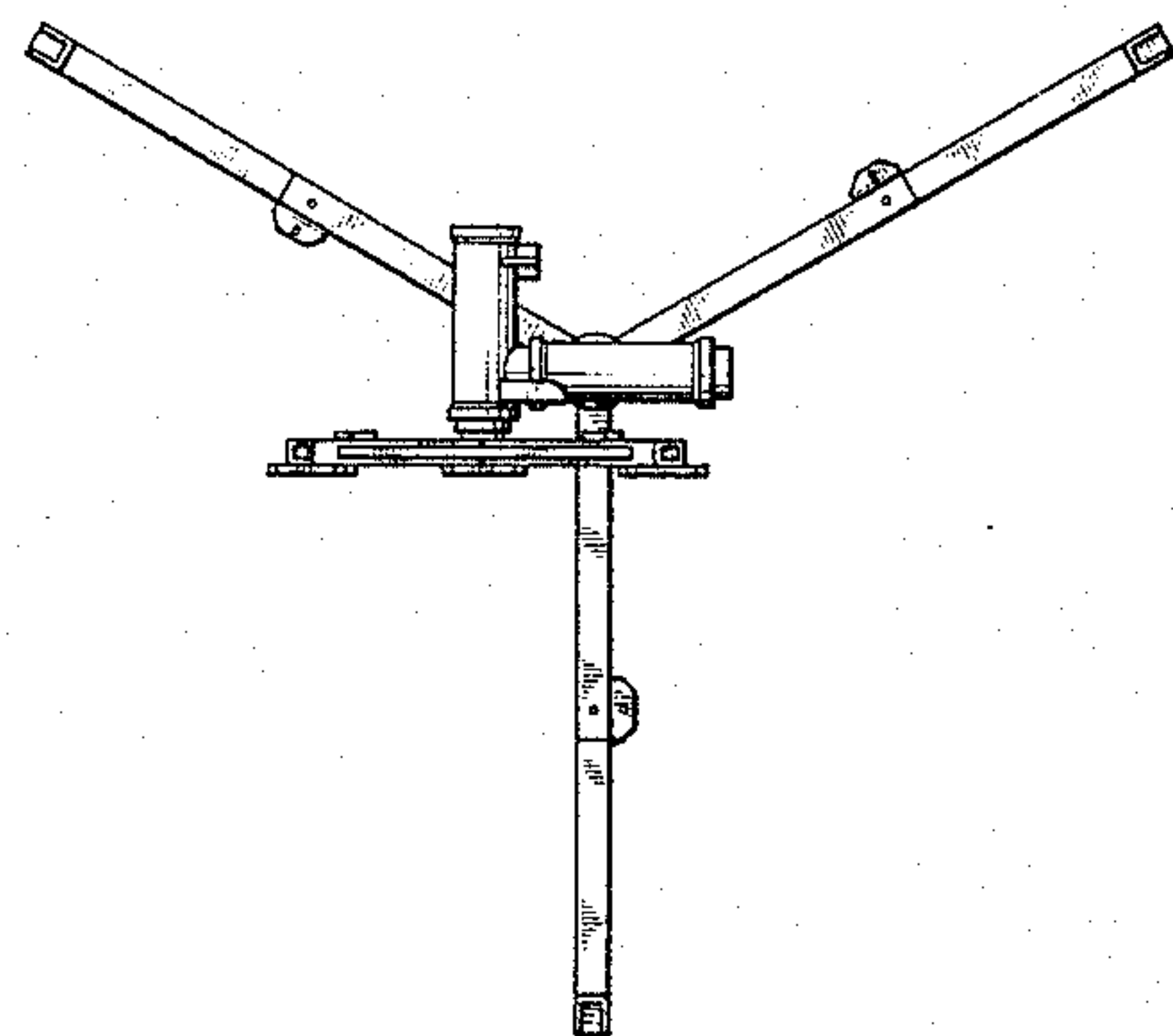
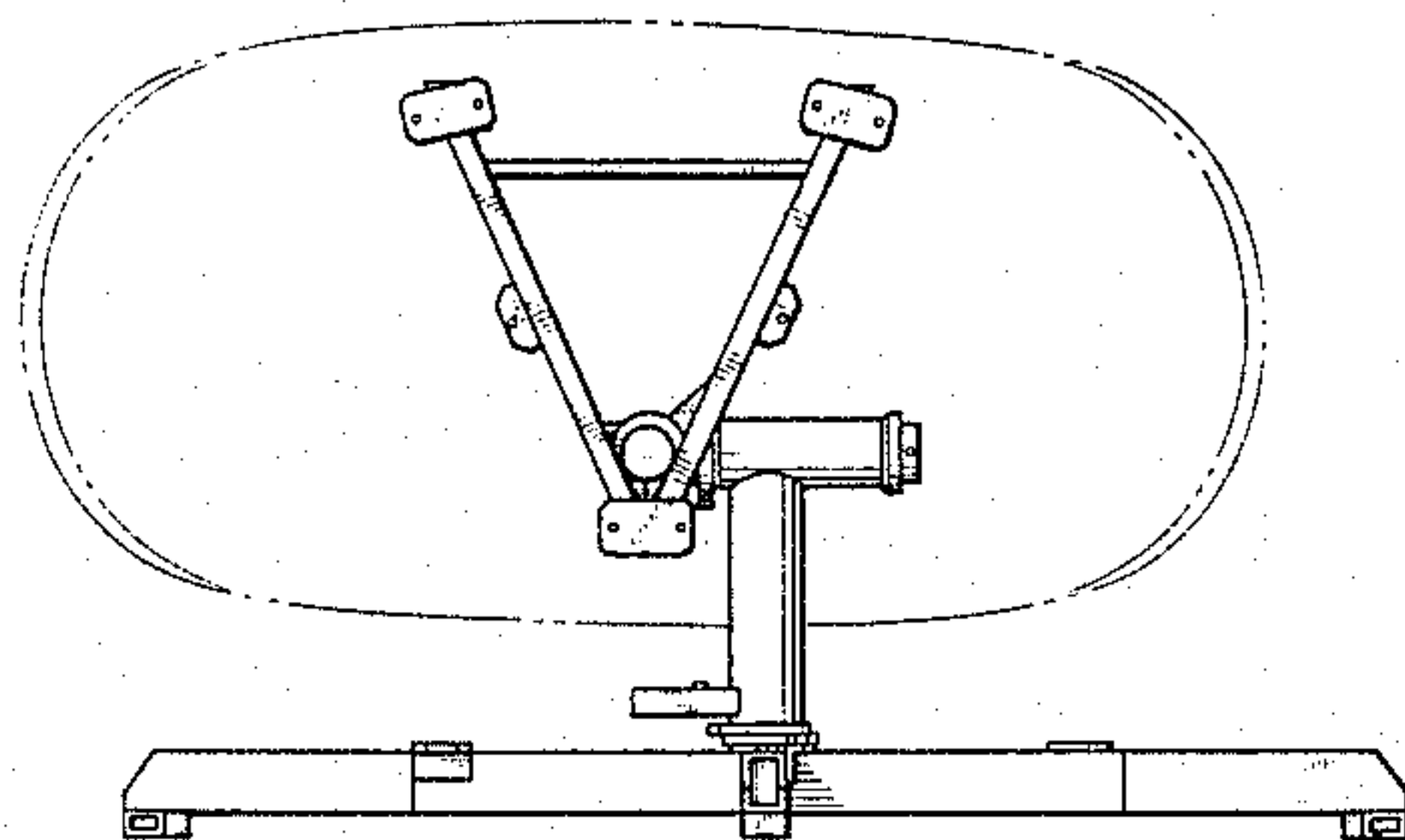
Primary Examiner—Jane E. Corrigan
Attorney, Agent, or Firm—Mark C. Jacobs

[57] CLAIM

The ornamental design for antenna base, substantially as shown and described.

DESCRIPTION

FIG. 1 is a front elevational view of an antenna base showing my new design, with the broken line satellite dish included for illustrative purposes only and forming no part of the claimed design;
FIG. 2 is a top plan view;
FIG. 3 is a right side elevational view;
FIG. 4 is a rear elevational view;
FIG. 5 is a left side elevational view; and
FIG. 6 is a bottom plan view.



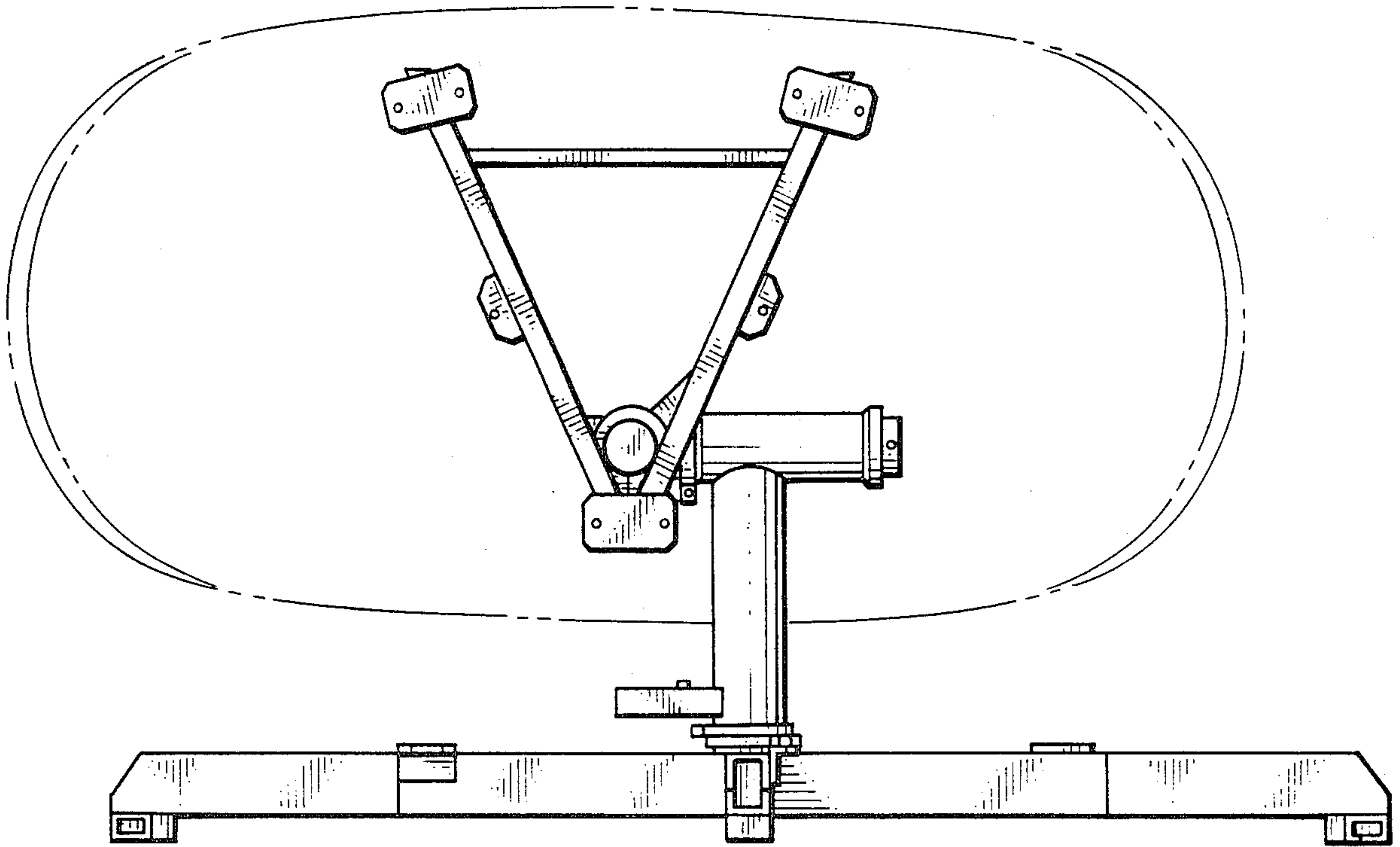


Fig. 1.

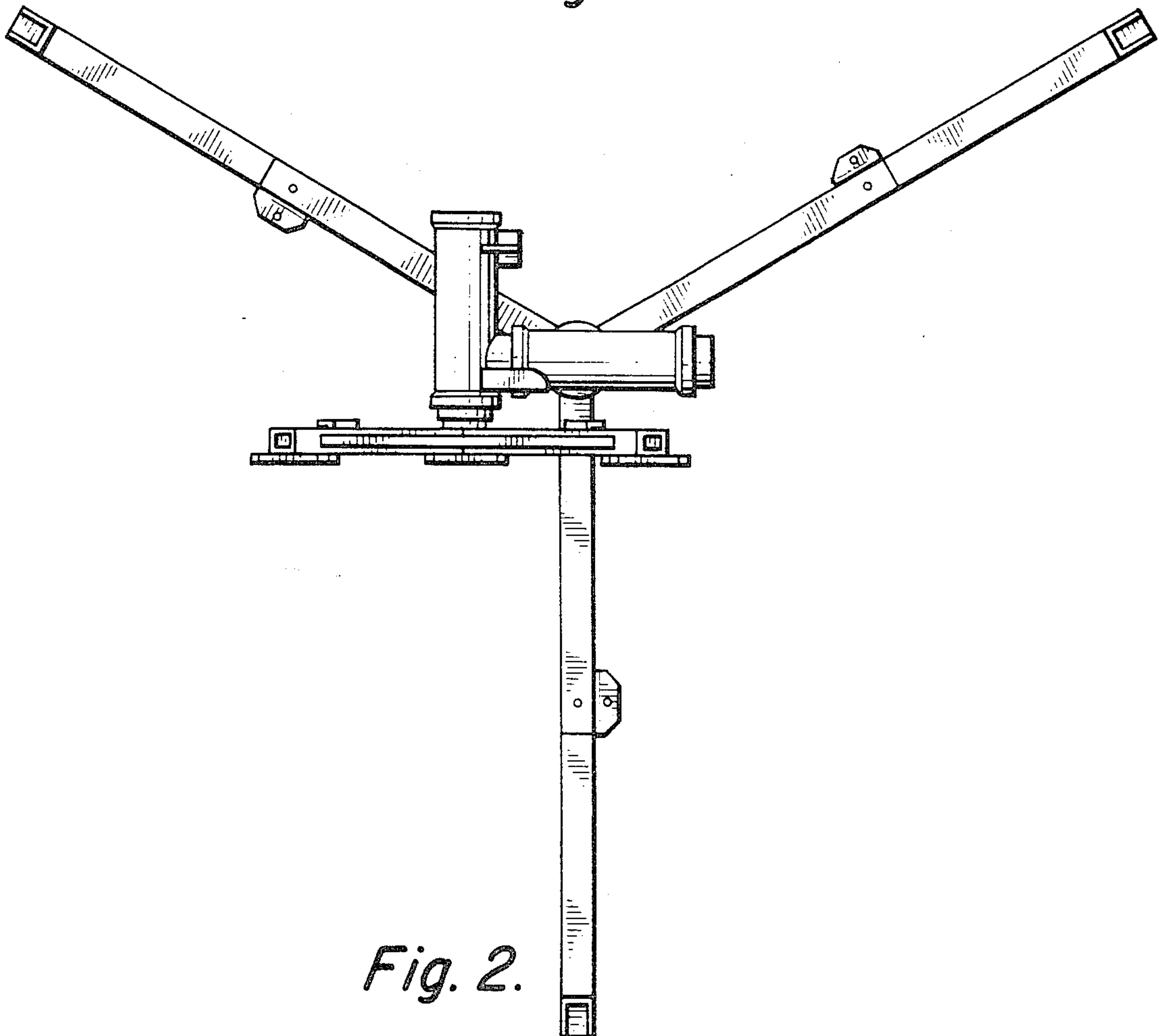


Fig. 2.

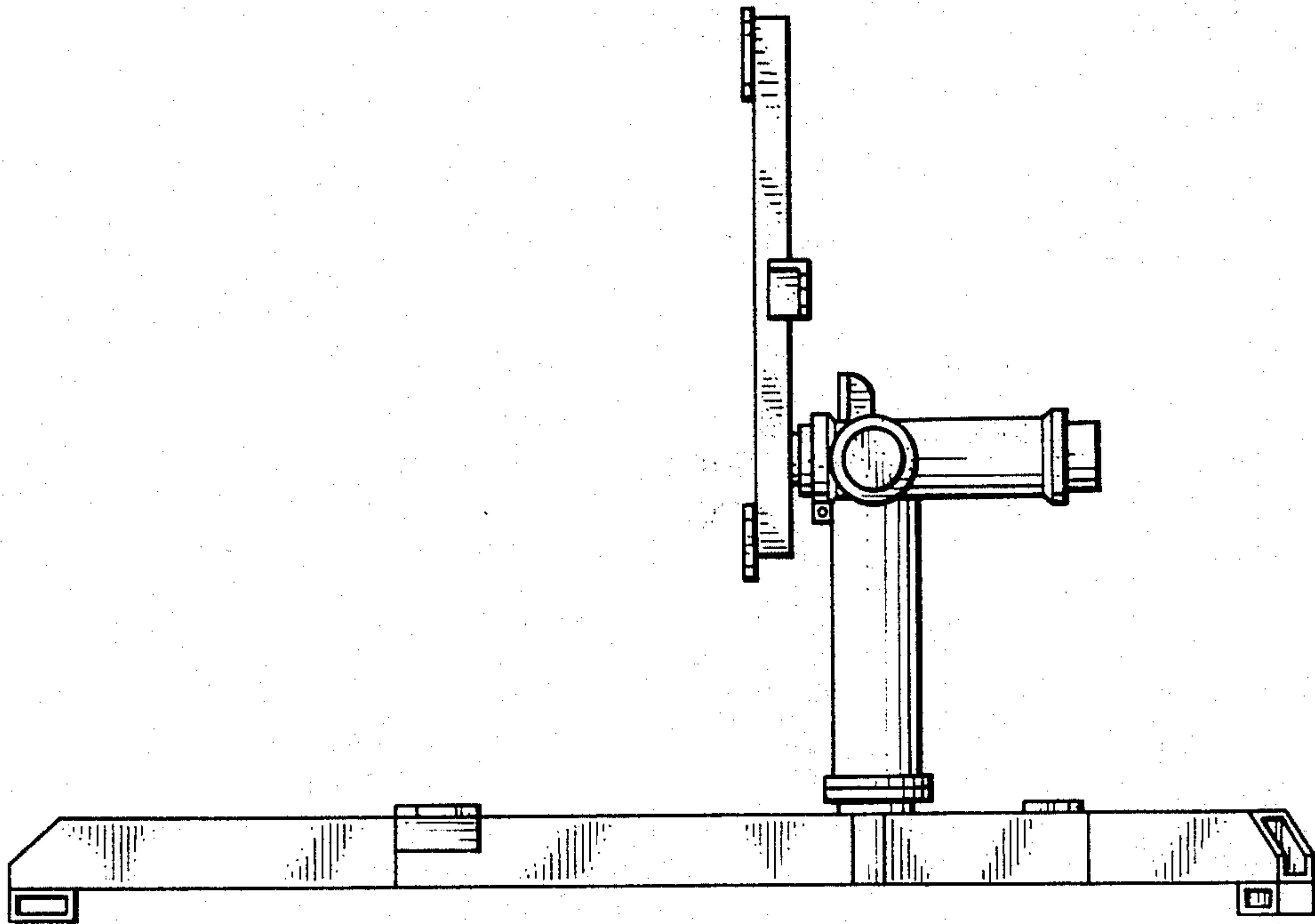


Fig. 3.

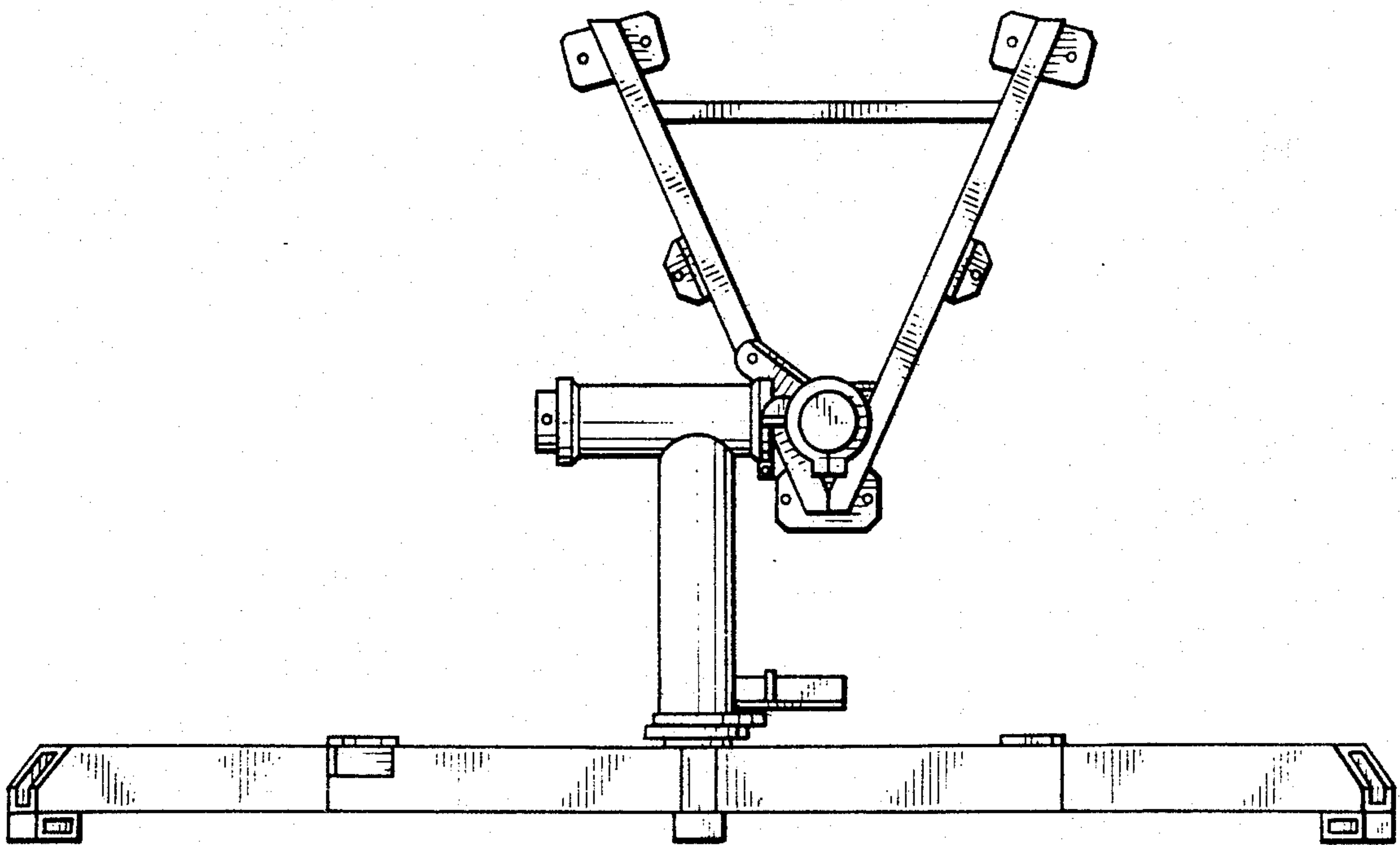


Fig. 4.

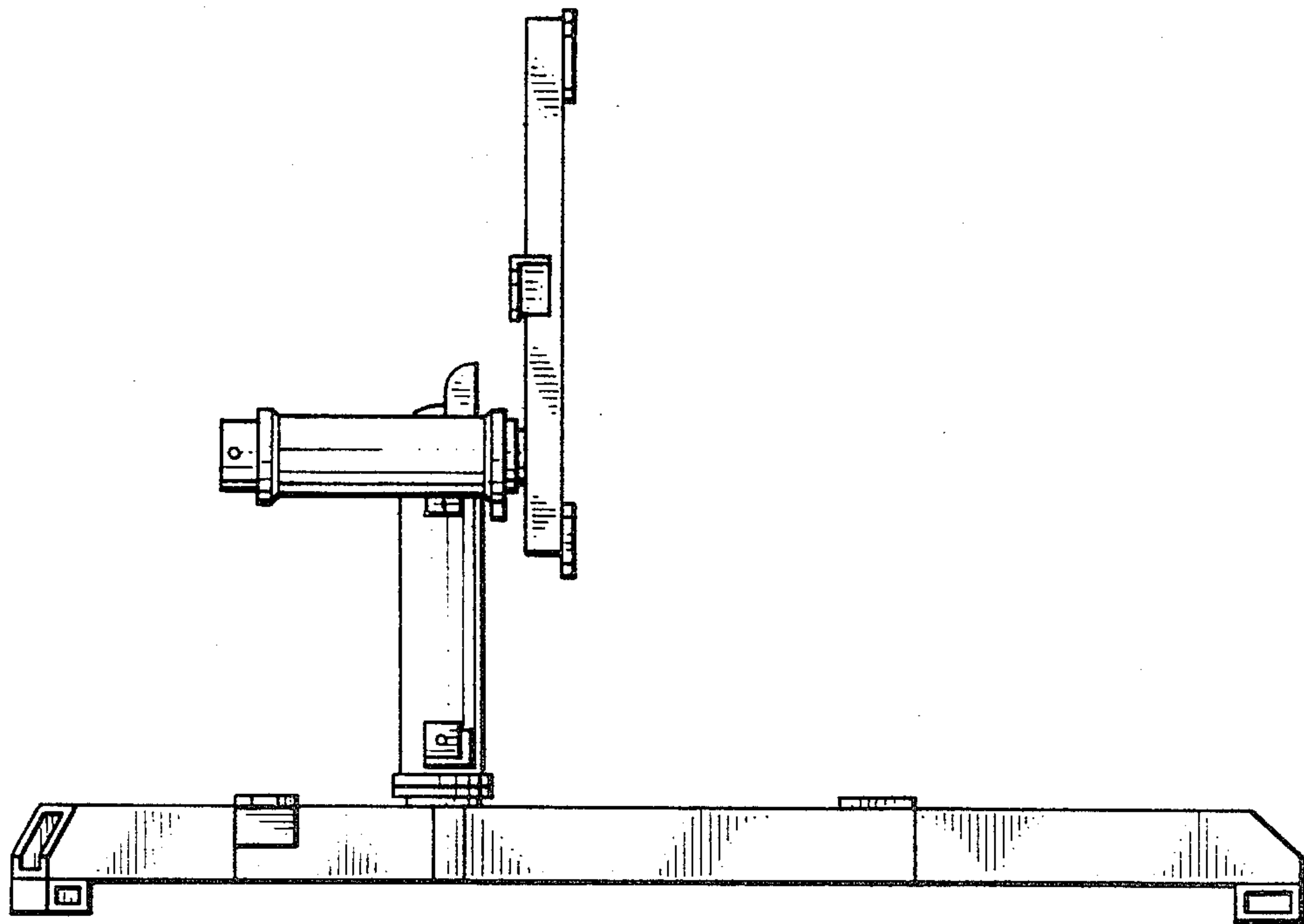


Fig. 5.

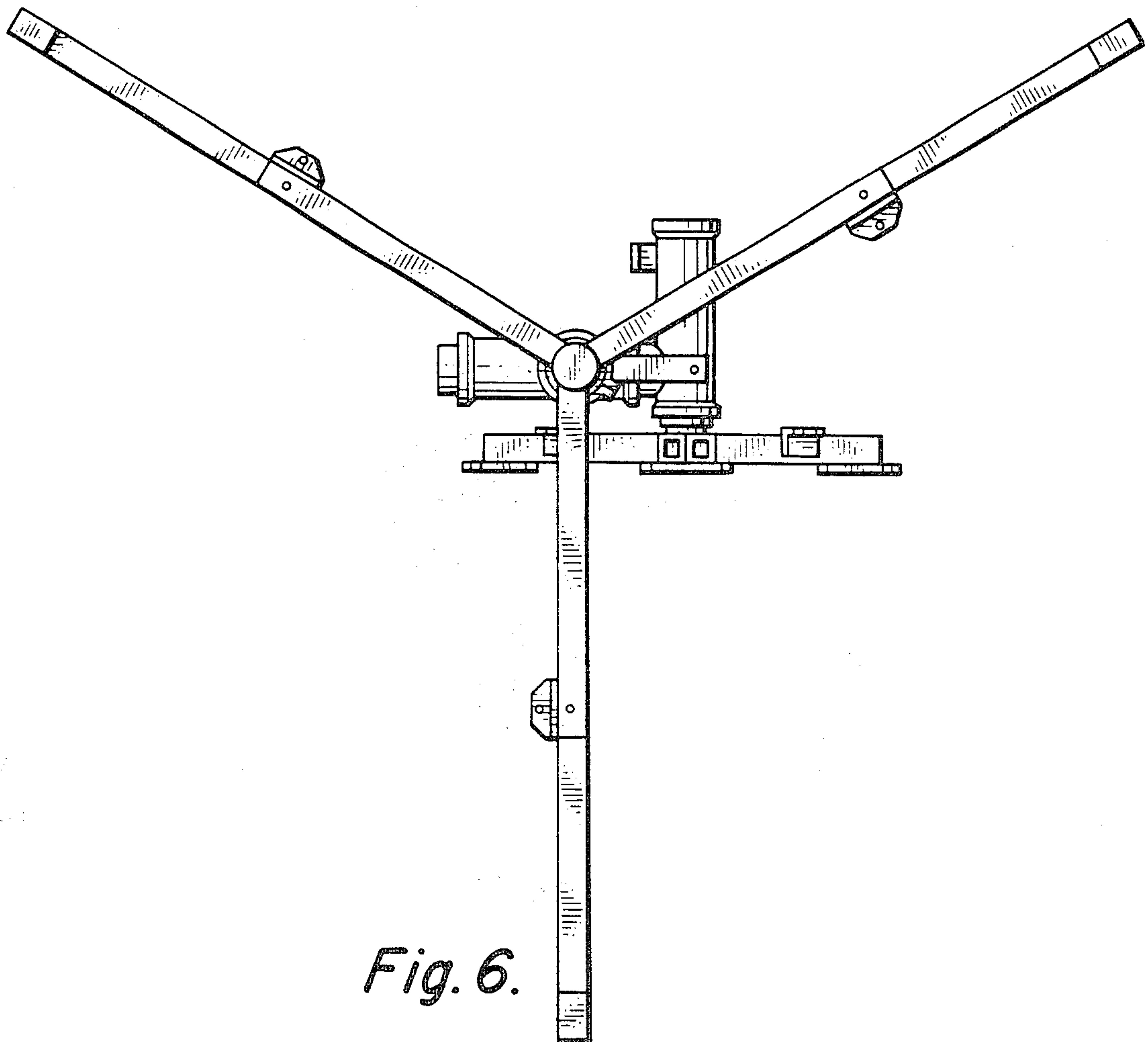


Fig. 6.