

United States Patent [19]

McGarvey et al.

[11] Patent Number: **Des. 277,573**

[45] Date of Patent: **** Feb. 12, 1985**

[54] **HOUSING FOR A HANDSET TELEPHONE**

[75] Inventors: **John N. McGarvey, Drexel Hill, Pa.;
Alvin R. Tilley, Red Bank, N.J.**

[73] Assignee: **AT&T Technologies, Inc., New York,
N.Y.**

[**] Term: **14 Years**

[21] Appl. No.: **618,478**

[22] Filed: **Jun. 8, 1984**

[52] U.S. Cl. **D14/53; D14/63;
D14/59; D14/64**

[58] Field of Search **D14/52, 53, 56, 58,
D14/59, 63, 64; 179/179, 100 R, 100 C, 100 D,
101, 102, 103**

[56] **References Cited**

U.S. PATENT DOCUMENTS

D. 236,627	9/1975	Henshaw et al.	D14/63
D. 256,465	8/1980	Tyler	D14/64
D. 266,763	11/1982	Grae	D14/64
D. 268,411	3/1983	Banko	D14/63
D. 270,157	8/1983	Boldt et al.	D14/63
D. 270,448	9/1983	Chen	D14/63

OTHER PUBLICATIONS

Popular Electronics, Dec. 1980: Article Re. Cordless

Telephones: Showing on p. 22 of Cobra CP. 2005--
Handset left.

Best Products Co. 25th Anniversary Catalog
1981-1982: Showing of Extend-A-Phone Model #1, p.
2761.

W. Bell & Co.; 1979 International Gift Collection Cat.;
Phones on p. 233.

Spiegel Home World Catalog 1983. Telephone pp.
606-610, A. B. Item D on p. 608.

Primary Examiner—A. Hugo Word

Assistant Examiner—Horace B. Fay

Attorney, Agent, or Firm—H. L. Newman

[57] **CLAIM**

The ornamental design of a housing for a handset tele-
phone, substantially as shown and described.

DESCRIPTION

FIG. 1 is a perspective view of a housing for a handset
telephone embodying our new design;

FIG. 2 is a side elevation thereof, the opposite side
being essentially the same as the side shown;

FIG. 3 is a bottom plan view thereof;

FIG. 4 is a top plan view thereof; and

FIG. 5 is an end elevation thereof, the opposite end
being essentially the same as the end shown.

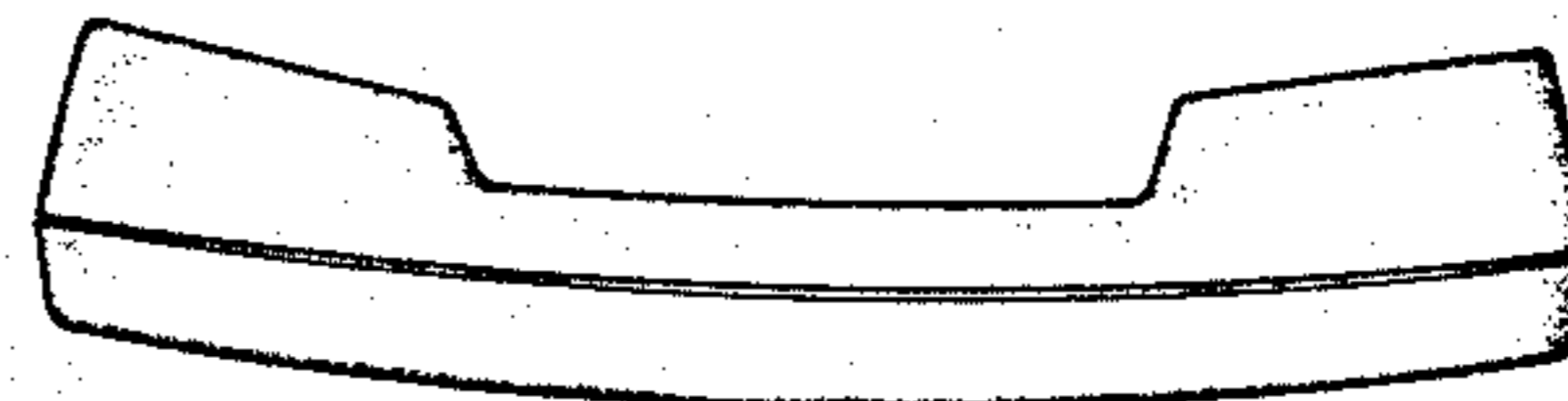
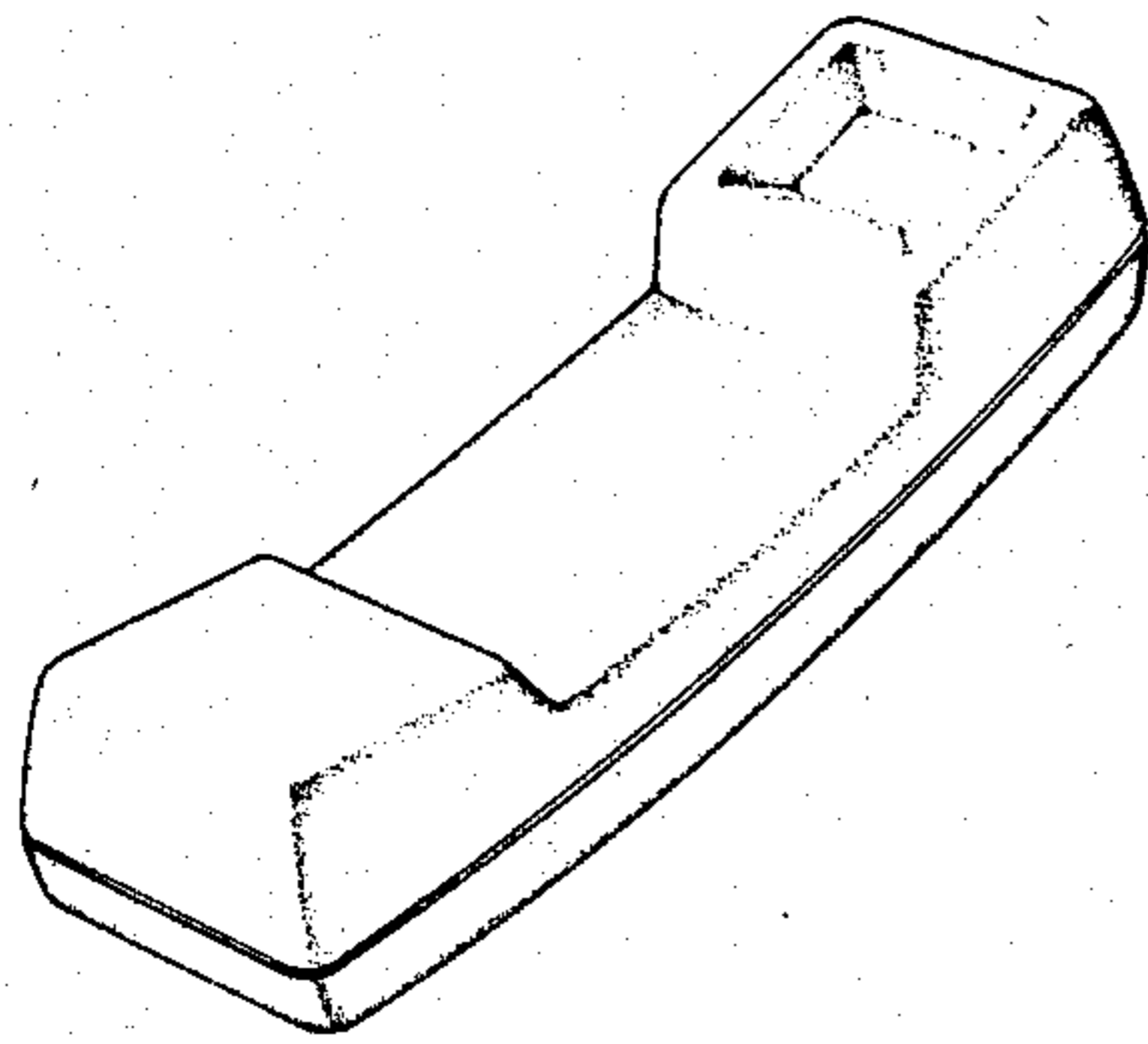


FIG. 1

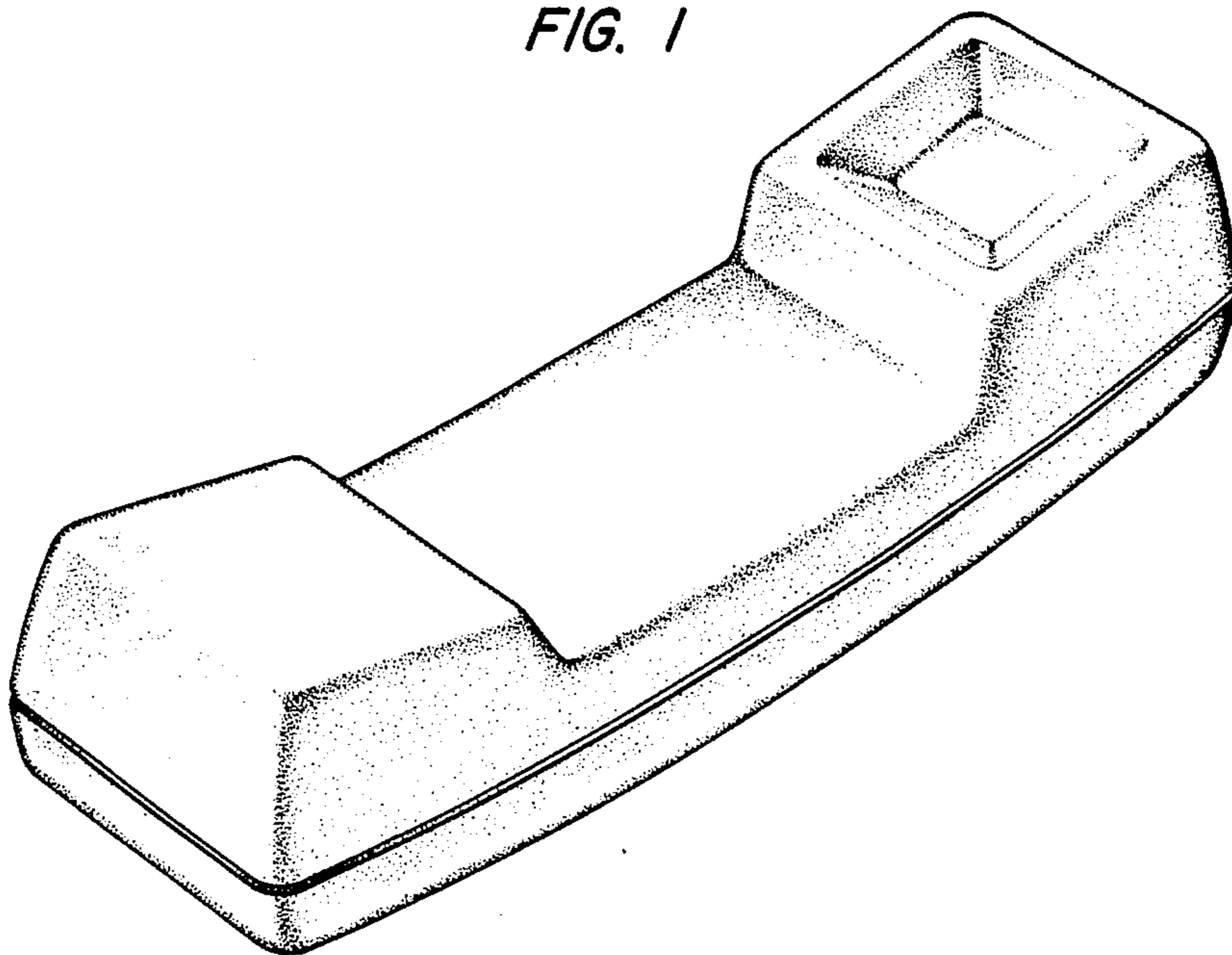


FIG. 2

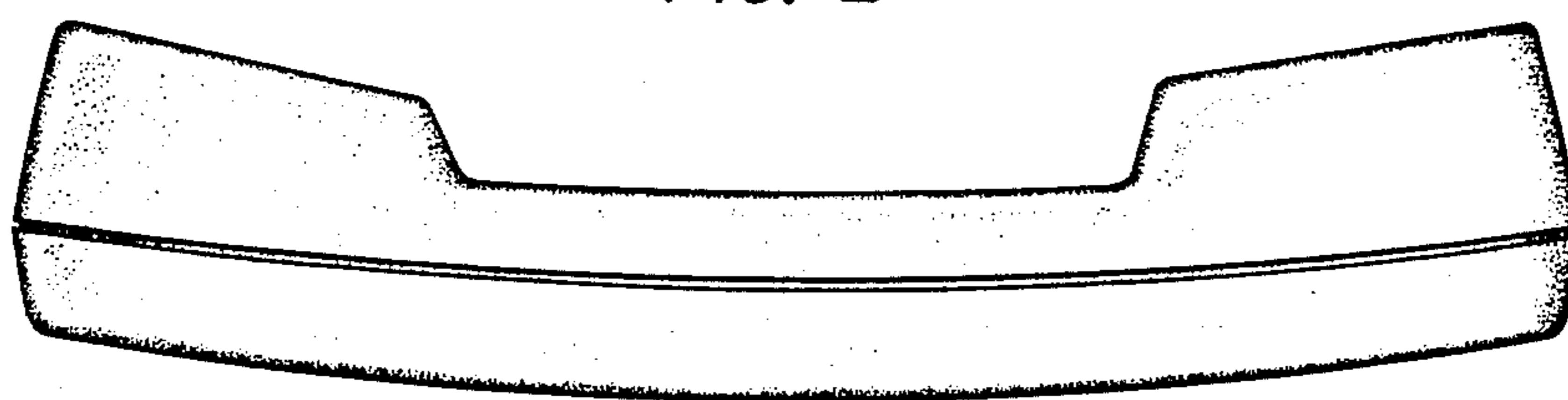


FIG. 3

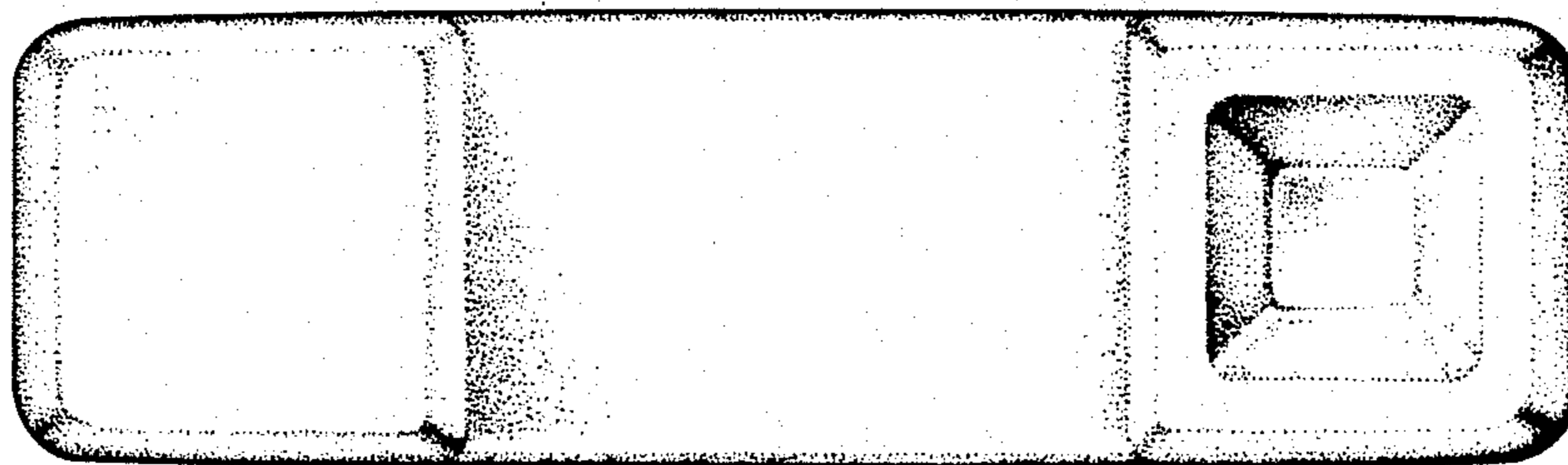


FIG. 4

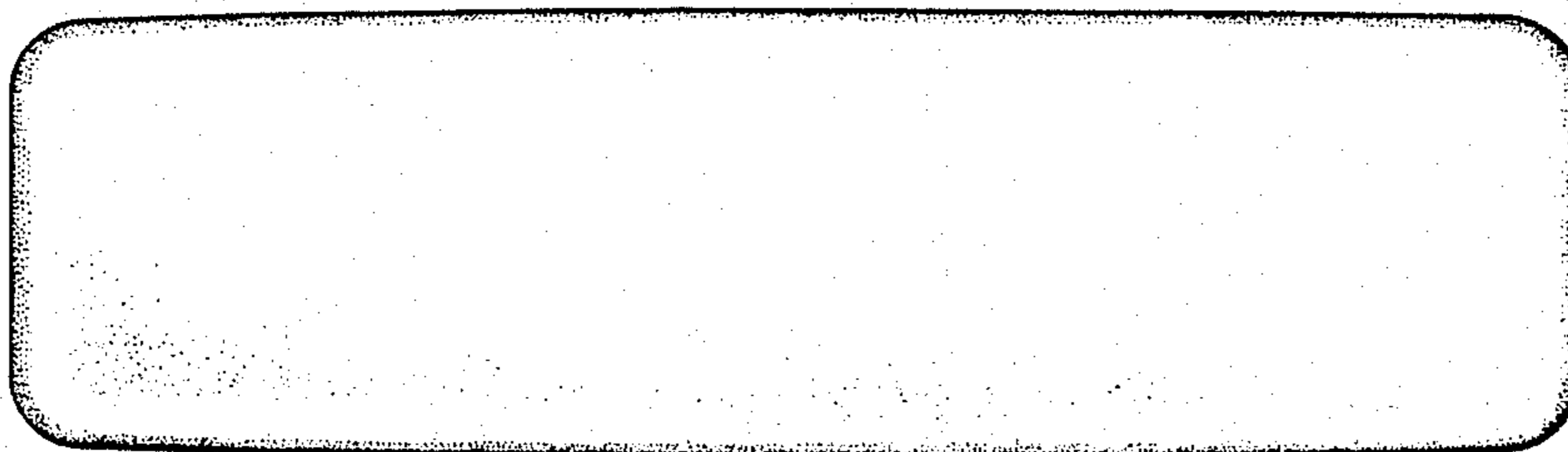


FIG. 5

