

- [54] TELEPHONE INSTRUMENT BASE
- [75] Inventors: **Kenneth R. Cooke**, New York; **Vito L. Porcelli**, Ossining, both of N.Y.
- [73] Assignee: **AT&T Technologies, Inc.**, New York, N.Y.
- [\*\*] Term: **14 Years**
- [21] Appl. No.: **570,944**
- [22] Filed: **Jan. 16, 1984**
- [52] U.S. Cl. .... **D14/60**
- [58] Field of Search ..... **D14/52, 53, 59, 60, D14/65; 179/179, 100 D, 102, 103, 100 R, 100 C**

- 4,012,601 3/1977 Kehren ..... 179/90 R
- 4,395,591 7/1983 Kaczkos ..... 179/178

OTHER PUBLICATIONS

Hongkong Household Catalog bearing date 10/83, Cordless Telephone Sets shown on p. 36, "Audiotronics", p. 37 *Soundic Electronics*.

Article entitled "PE Examines Cordless Telephones" by J. Gilden; Dec. 1980, *Popular Electronics*: p. 23 Pathcom 8502.

Cover, Picture of Cordless Telephone set in *New Technology*, Jul. 1981; Freedom Phone 3500.

*Primary Examiner*—Wallace R. Burke  
*Assistant Examiner*—Horace B. Fay  
*Attorney, Agent, or Firm*—John A. Caccuro

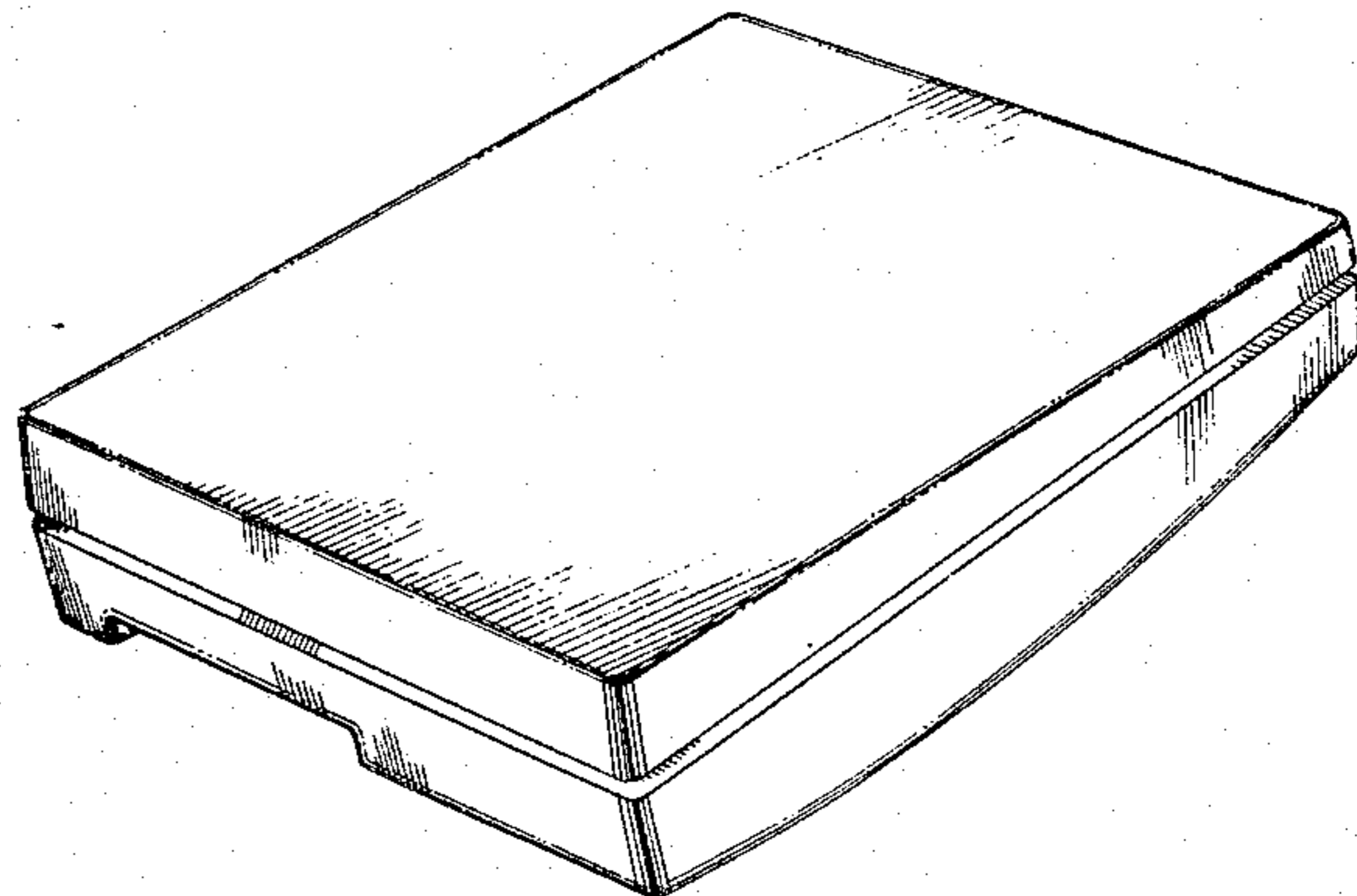
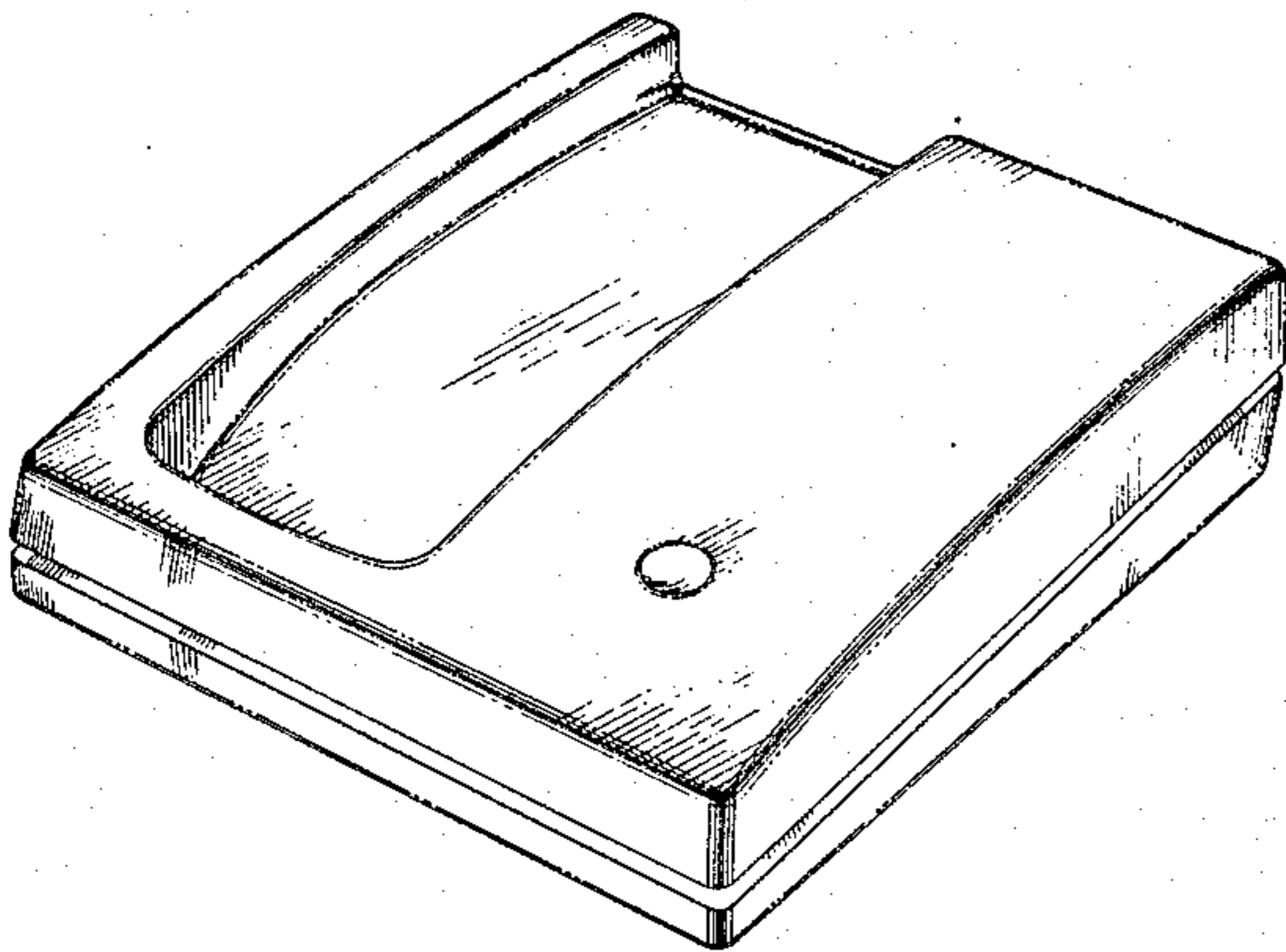
[56] **References Cited**  
**U.S. PATENT DOCUMENTS**

- D. 213,565 3/1969 Janda ..... D26/14
- D. 231,650 5/1974 Eubank et al. .... D26/14 A
- D. 259,421 6/1981 Janda ..... D14/60
- D. 265,401 7/1982 Genaro et al. .... D14/60
- D. 269,612 8/1983 Foggia et al. .... D14/58
- D. 272,905 3/1984 Blomberg ..... D14/59

[57] **CLAIM**  
The ornamental design for a telephone instrument base, substantially as shown and described.

**DESCRIPTION**

FIG. 1 is a front top perspective view of a telephone instrument base showing our new design; and FIG. 2 is a bottom perspective view thereof.



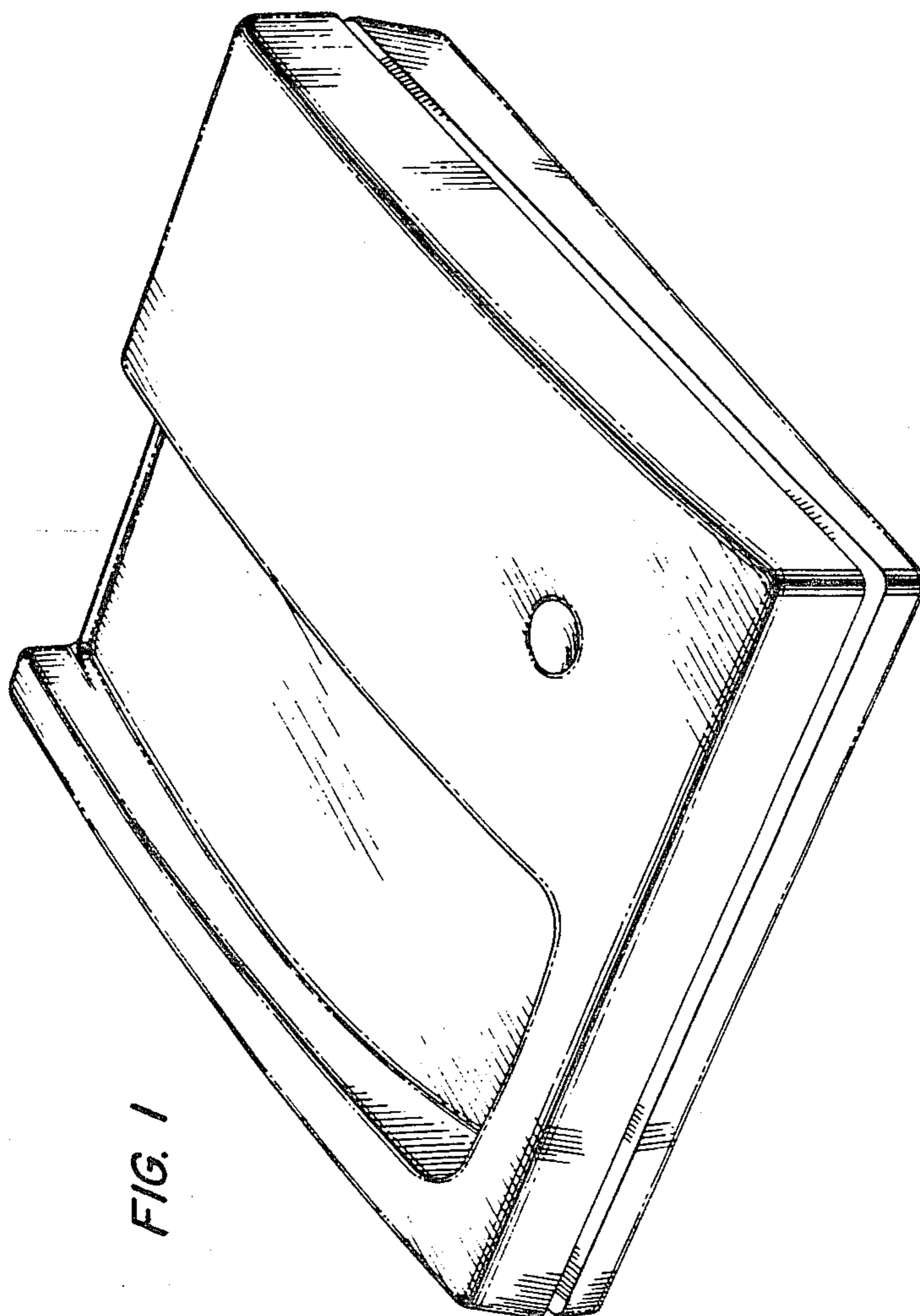


FIG. 1

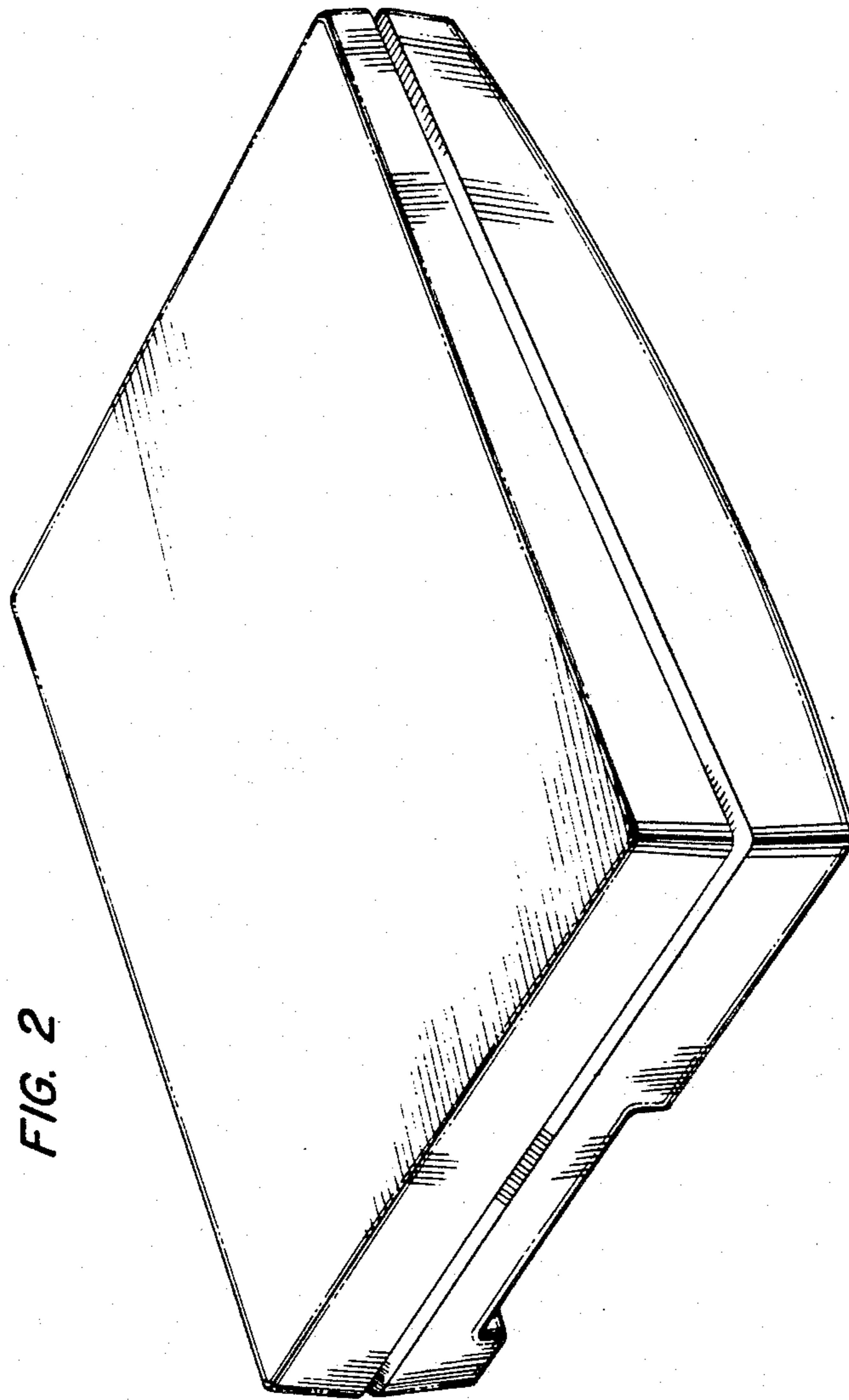


FIG. 2

UNITED STATES PATENT AND TRADEMARK OFFICE  
**CERTIFICATE OF CORRECTION**

PATENT NO. : Des. 277,571

Page 1 of 4

DATED : February 12, 1985

INVENTOR(S) : Kenneth R. Cooke and Vito L. Porcelli

It is certified that error appears in the above-identified patent and that said Letters Patent is hereby corrected as shown below:

The sheets of Drawings consisting of Figures 1 and 2 should be deleted to appear as per the attached sheets.

The title page should be deleted to appear as per attached title page.

**Signed and Sealed this**

*Twenty-fourth* **Day of** *September 1985*

[SEAL]

*Attest:*

**DONALD J. QUIGG**

*Attesting Officer*

*Commissioner of Patents and  
Trademarks—Designate*

**United States Patent** [19]  
Cooke et al.

[11] Patent Number: **Des. 277,571**  
[45] Date of Patent: \*\* Feb. 12, 1985

[54] TELEPHONE INSTRUMENT BASE

[75] Inventors: **Kenneth R. Cooke, New York; Vito L. Porcelli, Ossining, both of N.Y.**

[73] Assignee: **AT&T Technologies, Inc., New York, N.Y.**

[\*\*] Term: **14 Years**

[21] Appl. No.: **570,944**

[22] Filed: **Jan. 16, 1984**

[52] U.S. Cl. .... **D14/60**

[58] Field of Search ..... **D14/52, 53, 59, 60, D14/65; 179/179, 100 D, 102, 103, 100 R, 100 C**

[56] **References Cited**

**U.S. PATENT DOCUMENTS**

D. 213,565	3/1969	Janda .....	D26/14
D. 231,650	5/1974	Eubank et al. ....	D26/14 A
D. 259,421	6/1981	Janda .....	D14/60
D. 265,401	7/1982	Genaro et al. ....	D14/60
D. 269,612	8/1983	Foggia et al. ....	D14/58
D. 272,905	3/1984	Blomberg .....	D14/59

4,012,601	3/1977	Kehren .....	179/90 R
4,395,591	7/1983	Kaczkos .....	179/178

**OTHER PUBLICATIONS**

Hongkong Household Catalog bearing date 10/83, Cordless Telephone Sets shown on p. 36, "Audiotronics", p. 37 *Soundic Electronics*.

Article entitled "PE Examines Cordless Telephones" by J. Gilden; Dec. 1980, *Popular Electronics*; p. 23 Pathcom 8502.

Cover, Picture of Cordless Telephone set in New Technology, Jul. 1981; Freedom Phone 3500.

*Primary Examiner*—Wallace R. Burke

*Assistant Examiner*—Horace B. Fay

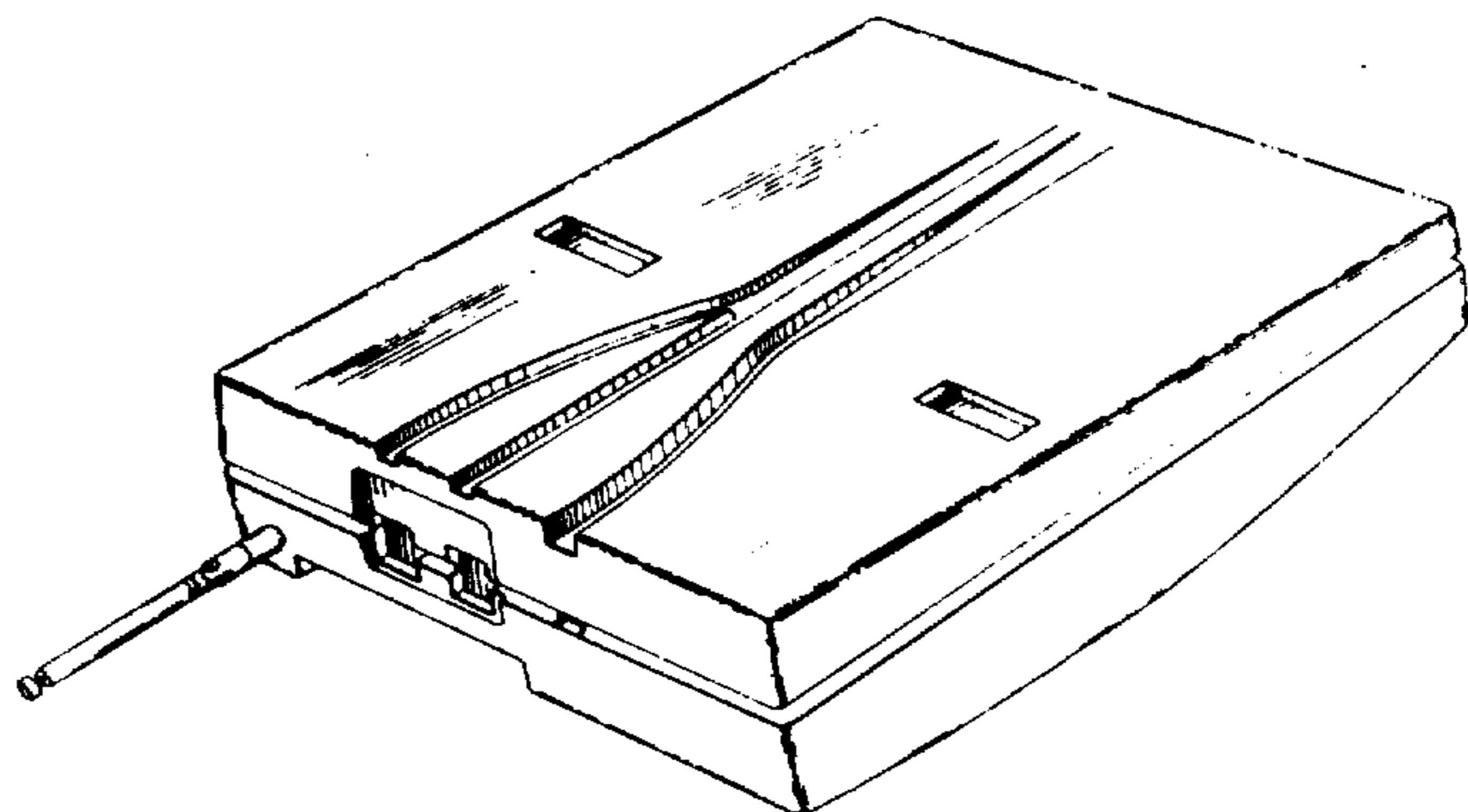
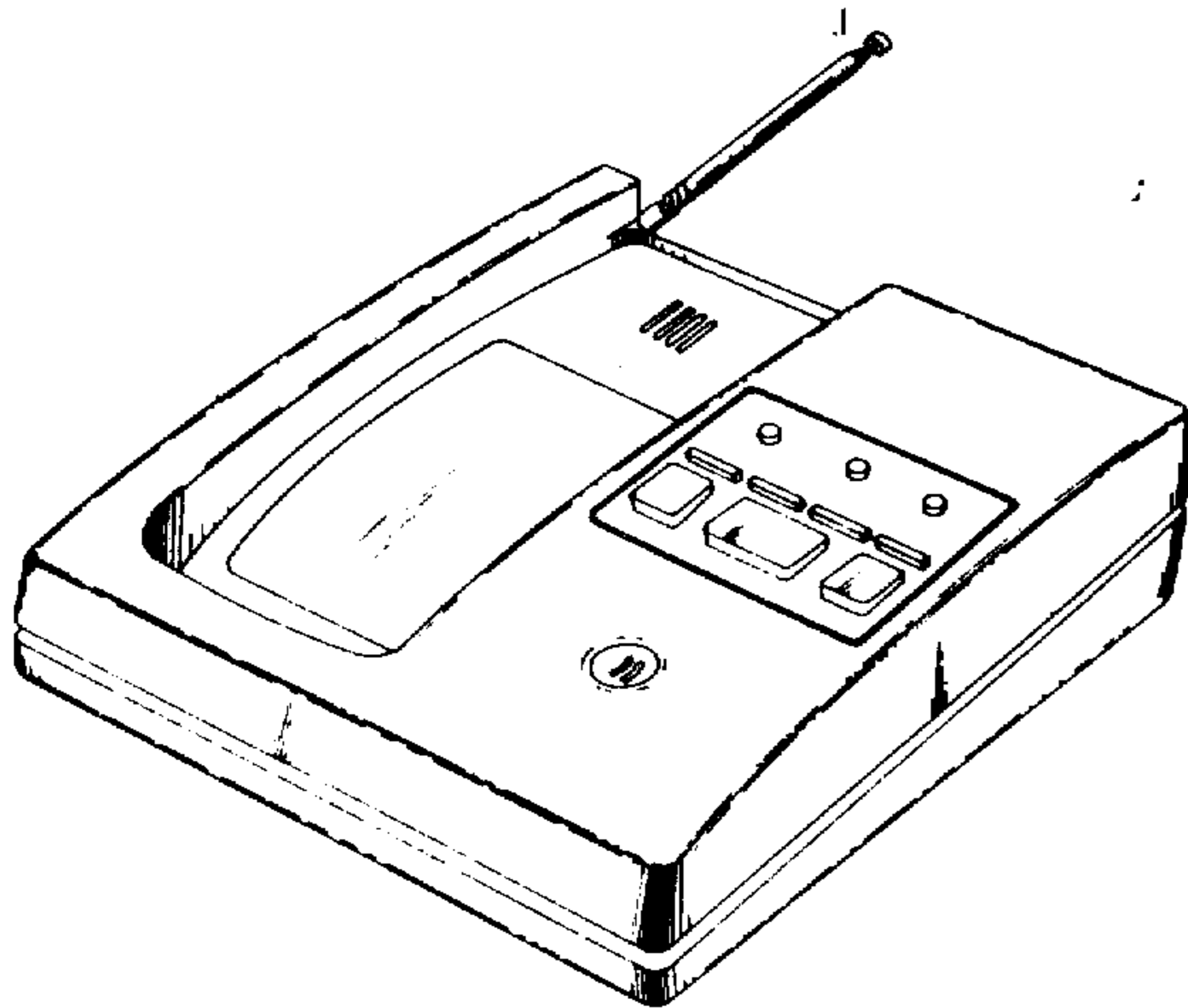
*Attorney, Agent, or Firm*—John A. Caccuro

[57] **CLAIM**

The ornamental design for a telephone instrument base, substantially as shown and described.

**DESCRIPTION**

FIG. 1 is a front top perspective view of a telephone instrument base showing our new design; and FIG. 2 is a bottom perspective view thereof.



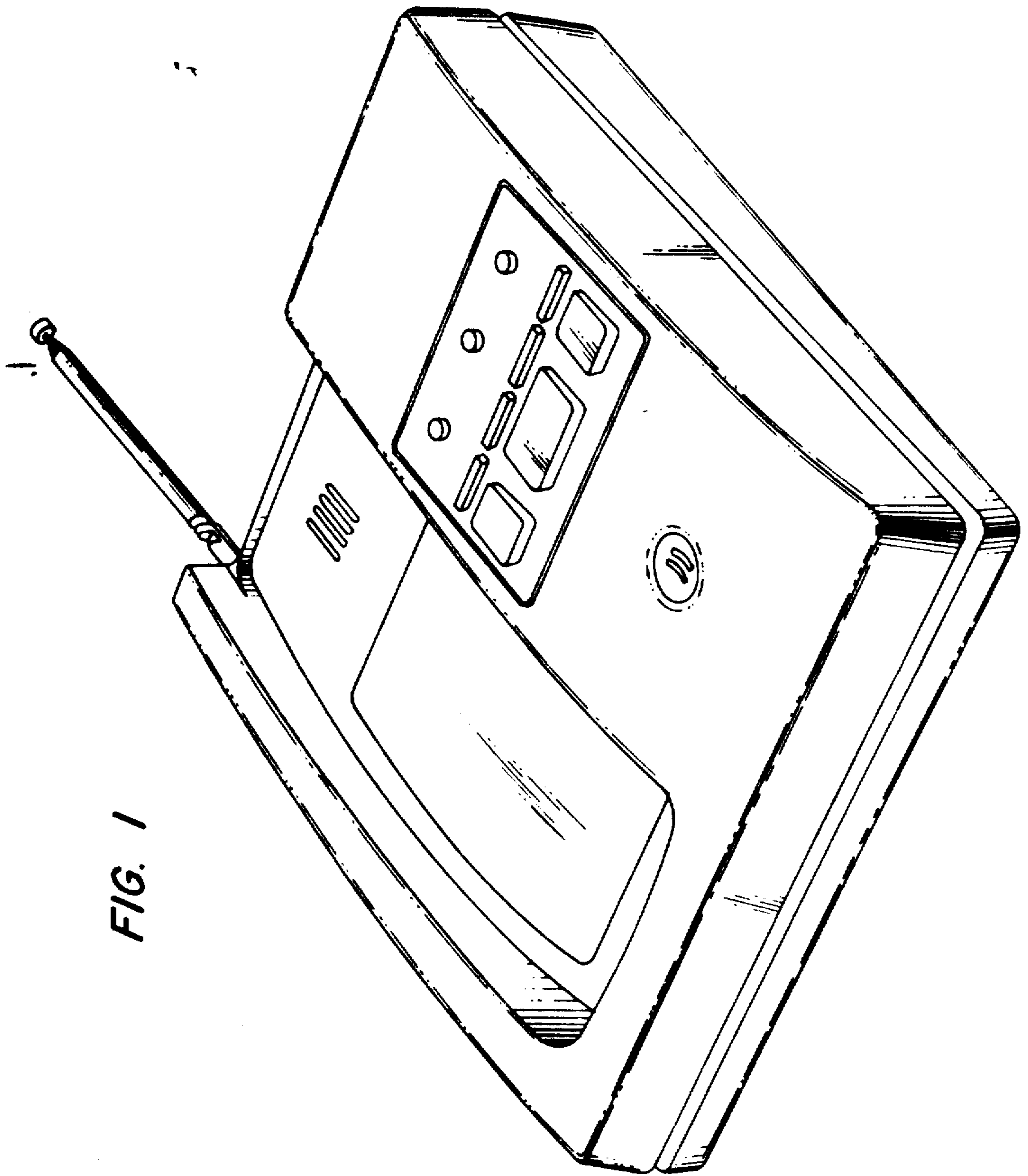


FIG. 1

FIG. 2

