

[54] ADJUNCT KEY TO A TELEPHONE SET OR SIMILAR ARTICLE

[75] Inventors: Donald M. Genaro, Haworth, N.J.; Norris R. Hall, Indianapolis, Ind.; John N. McGarvey, Drexel Hill, Pa.; Michael T. Skubiak, Carmel, Ind.

[73] Assignee: AT&T Bell Laboratories, Murray Hill, N.J.

[**] Term: 14 Years

[21] Appl. No.: 445,905

[22] Filed: Dec. 1, 1982

[52] U.S. Cl. D14/59

[58] Field of Search D14/52, 58, 53, 59, D14/56, 60, 61, 85; 179/90 K, 99 H, 81 R; D13/38

[56] References Cited

U.S. PATENT DOCUMENTS

- Re. 31,643 8/1984 Waldman 179/99 H
- D. 206,225 11/1966 Collins et al. D13/38
- D. 217,620 5/1970 Dreyfuss et al. D14/85

- D. 223,833 6/1972 Dreyfuss et al. D14/85
- D. 234,405 2/1975 McMahan et al. D14/85
- 1,230,643 6/1917 Anderson D13/38
- 2,273,530 2/1942 King 179/99 H
- 2,780,677 2/1957 Schaufuss 179/99 H
- 3,427,407 2/1969 Heck et al. 179/99 H
- 3,601,559 8/1971 Hiveline, Jr. 179/99 H
- 4,337,381 6/1982 Stein 179/99 H

Primary Examiner—Wallace R. Burke
Assistant Examiner—Horace B. Fay
Attorney, Agent, or Firm—H. L. Newman

[57] CLAIM

The ornamental design for an adjunct key to a telephone set or similar article, substantially as shown and described.

DESCRIPTION

FIG. 1 is a perspective view of an adjunct key to a telephone set or similar article showing our new design; FIG. 2 is a top plan view thereof; FIG. 3 is a front elevation view, the rear elevation view being a mirror image of the front elevation view shown; and FIG. 4 is a side elevation view thereof.

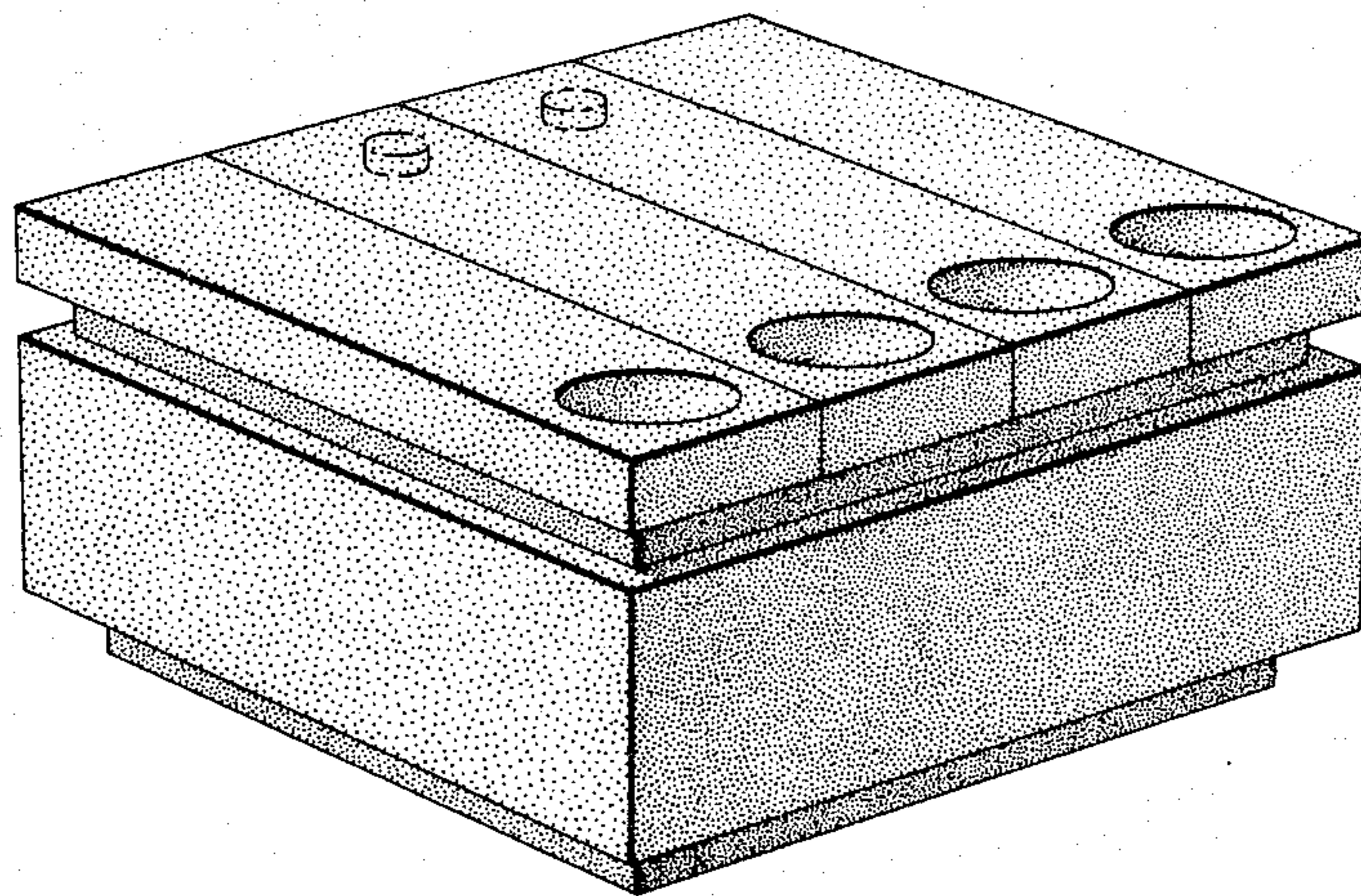


FIG. 1

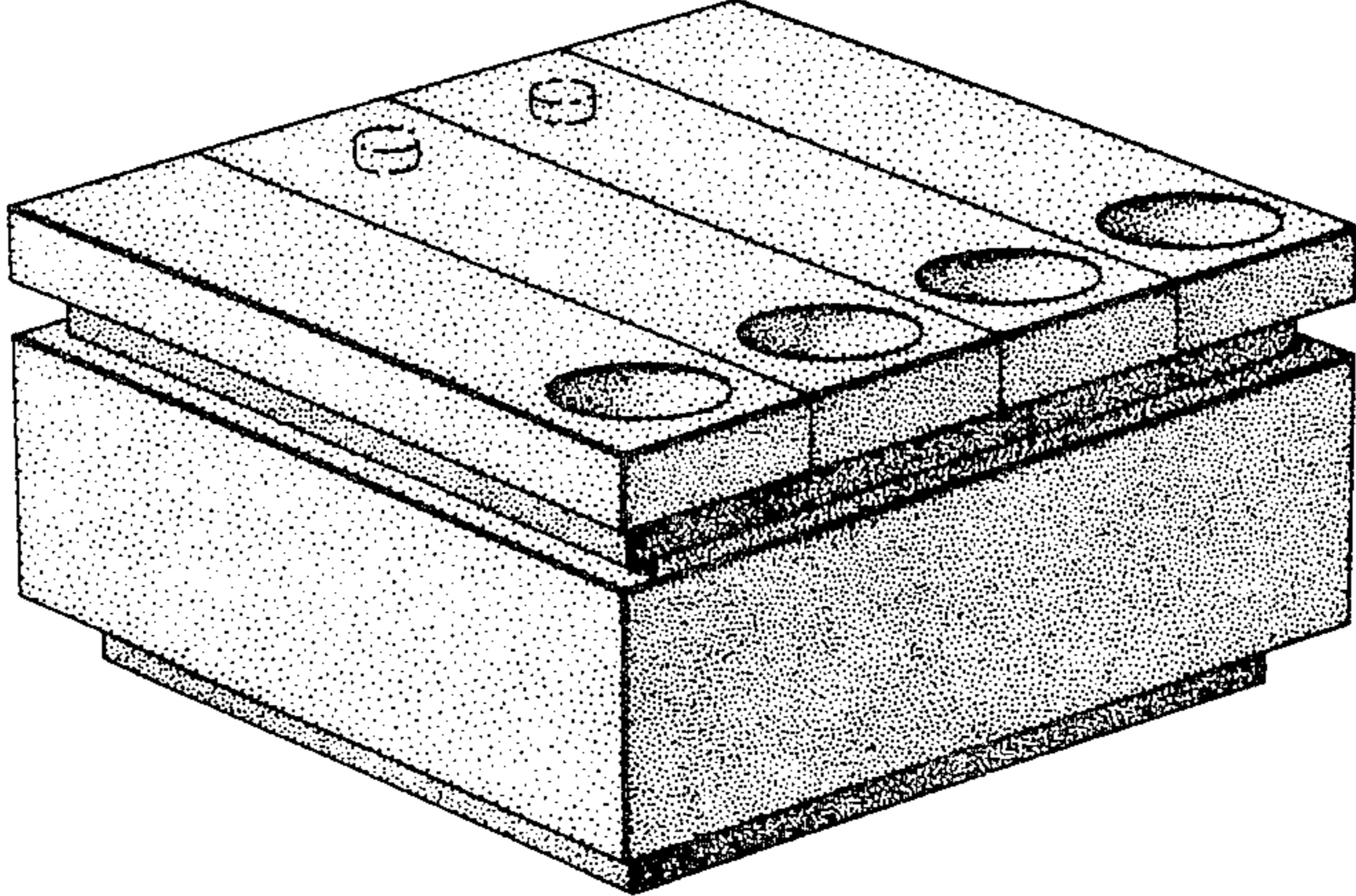


FIG. 2

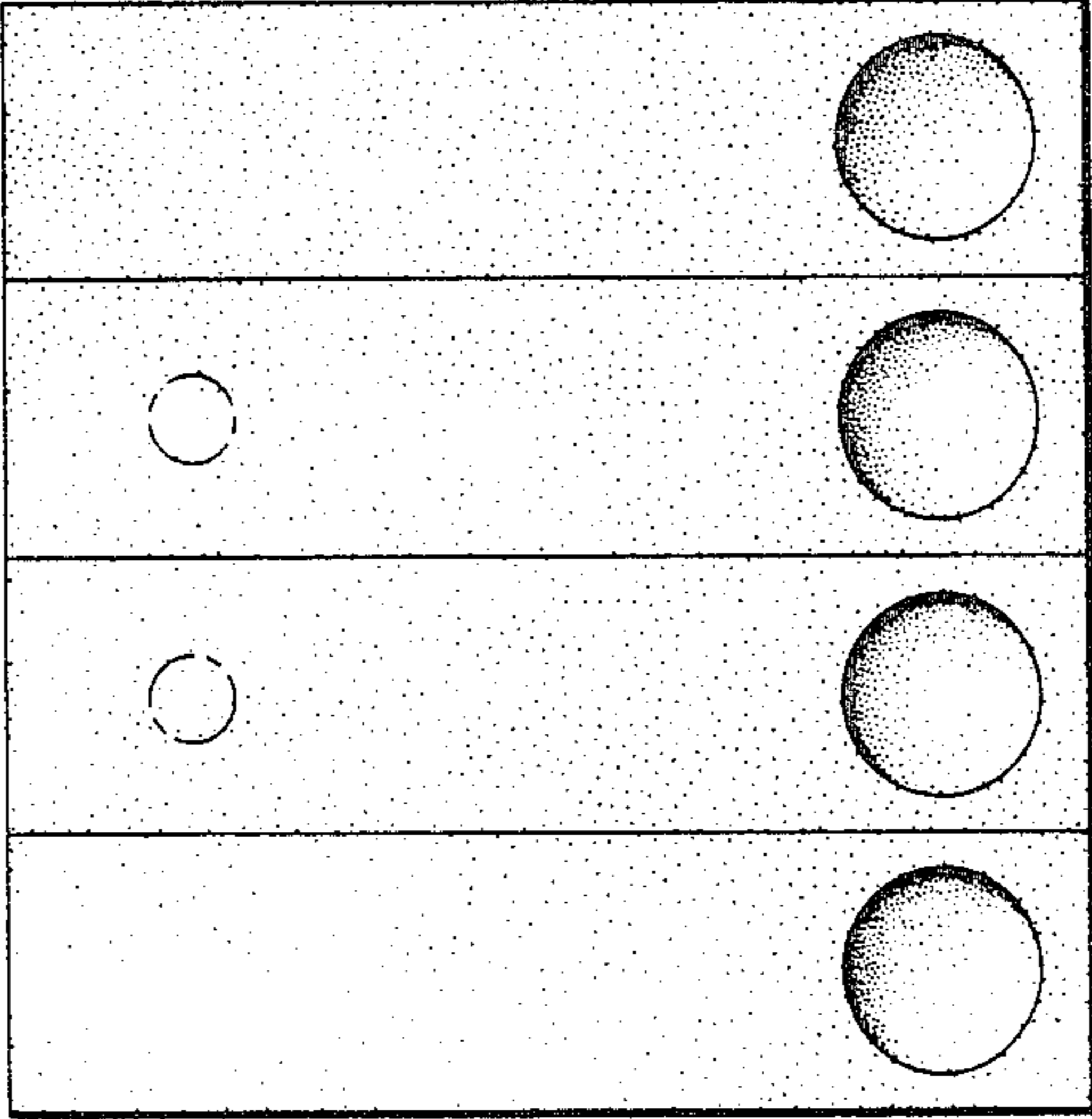


FIG. 3

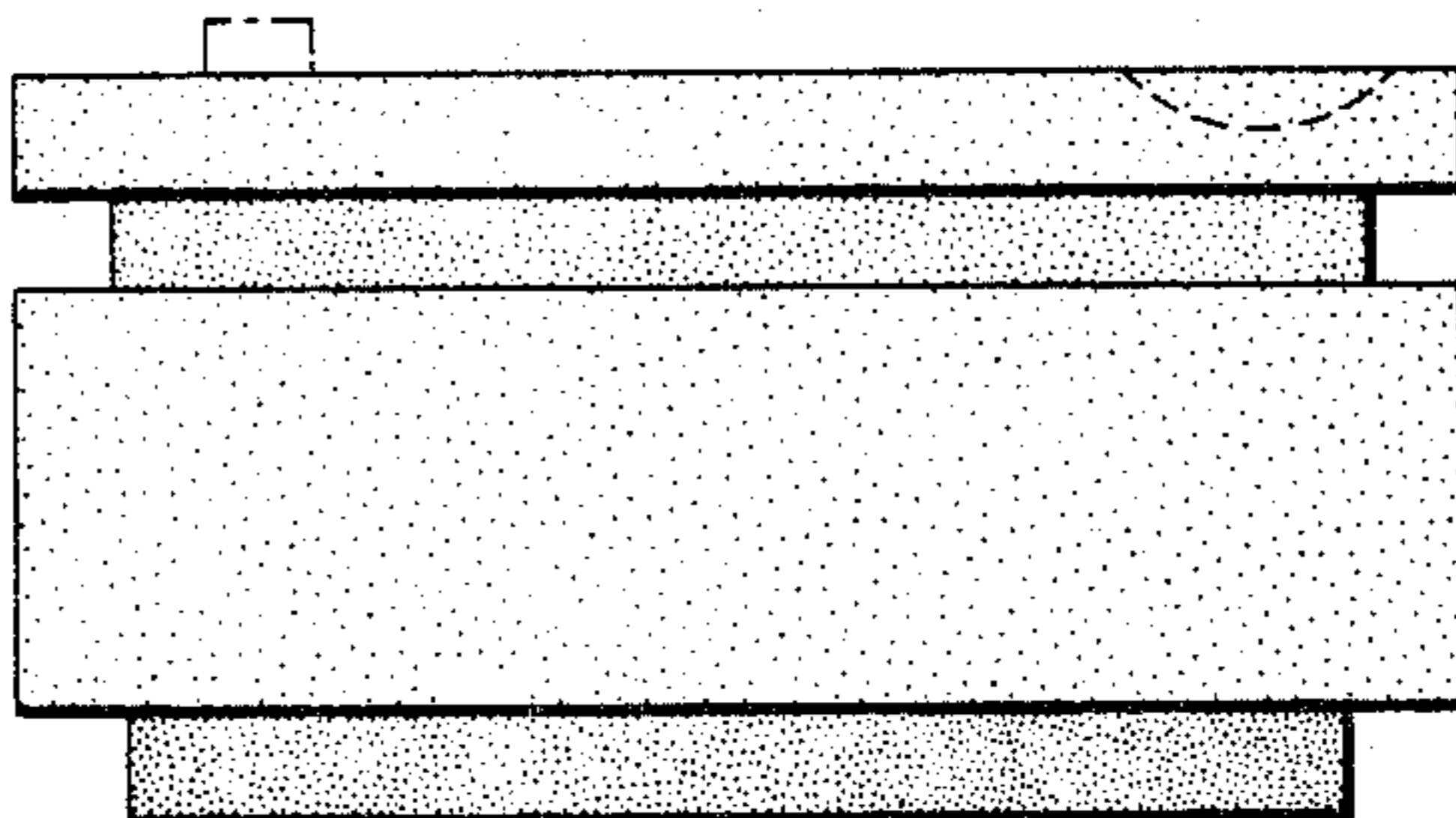


FIG. 4

