

[54] VIDEO TAPE CASSETTE LOWER HALF CASING

[75] Inventors: Haruki Ogata, Sagami-hara; Kimio Ogawa, Yokohama, both of Japan

[73] Assignee: Victor Company of Japan, Limited, Yokohama, Japan

[**] Term: 14 Years

[21] Appl. No.: 440,712

[22] Filed: Nov. 10, 1982

[30] Foreign Application Priority Data

May 20, 1982 [JP] Japan 57-22013

[52] U.S. Cl. D14/11

[58] Field of Search D14/11; 206/387; 242/197-199; 360/132

[56] References Cited

U.S. PATENT DOCUMENTS

4,291,800 9/1981 Okamura et al. 206/387
4,438,860 3/1984 Okamura et al. 242/197 X
4,449,676 5/1984 Ogata et al. 242/198

FOREIGN PATENT DOCUMENTS

54-53511 4/1979 Japan 206/387
2089765 6/1982 United Kingdom 242/199

Primary Examiner—Jane E. Corrigan

Attorney, Agent, or Firm—Cushman, Darby & Cushman

[57] CLAIM

The ornamental design for a video tape cassette lower half casing, as shown.

DESCRIPTION

FIG. 1 is a rear, bottom and left side perspective view of a video tape cassette lower half casing showing our new design;

FIG. 2 is a front, top and right side perspective view thereof; and

FIG. 3 is a top plan view thereof.

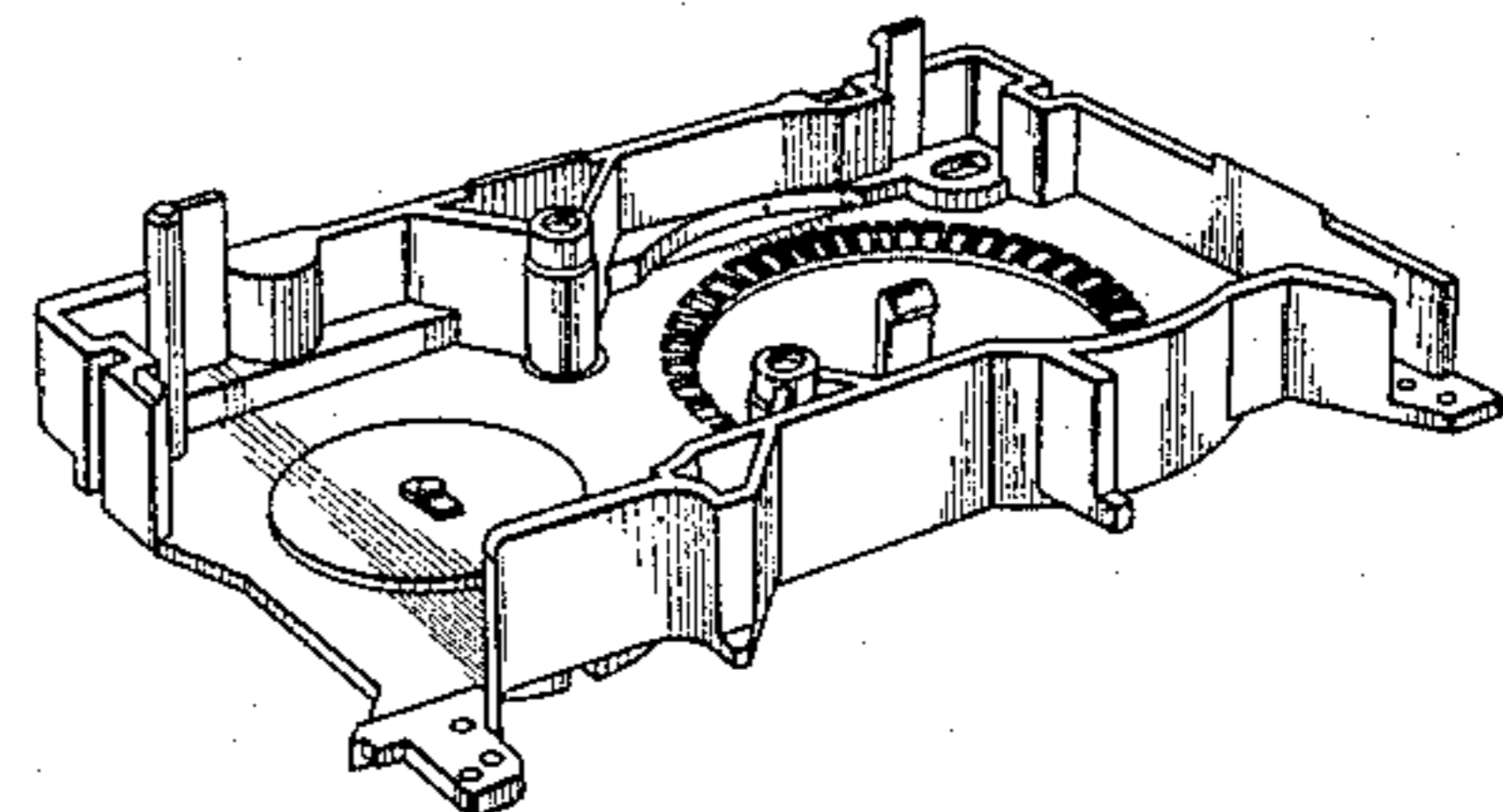
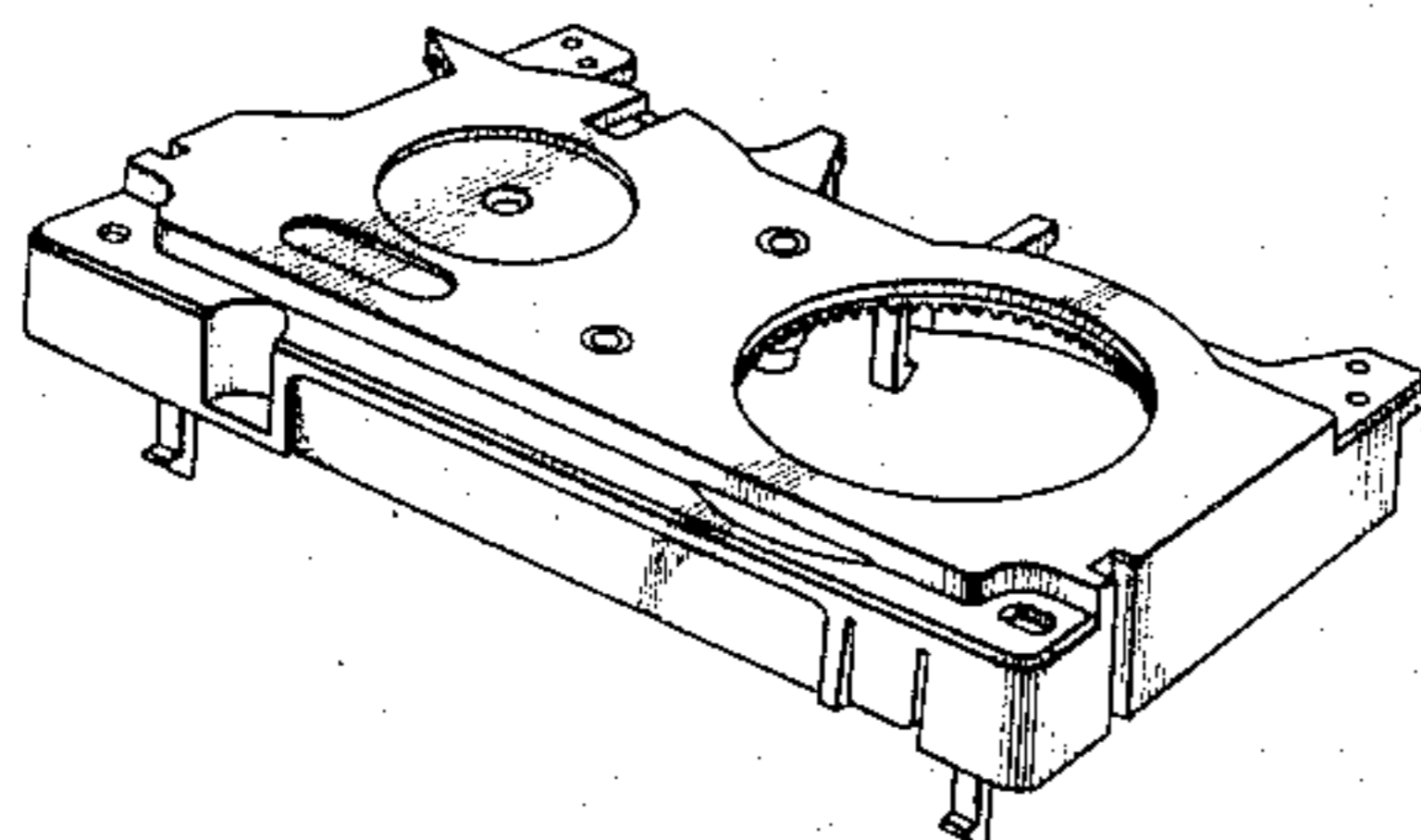


FIG. 1

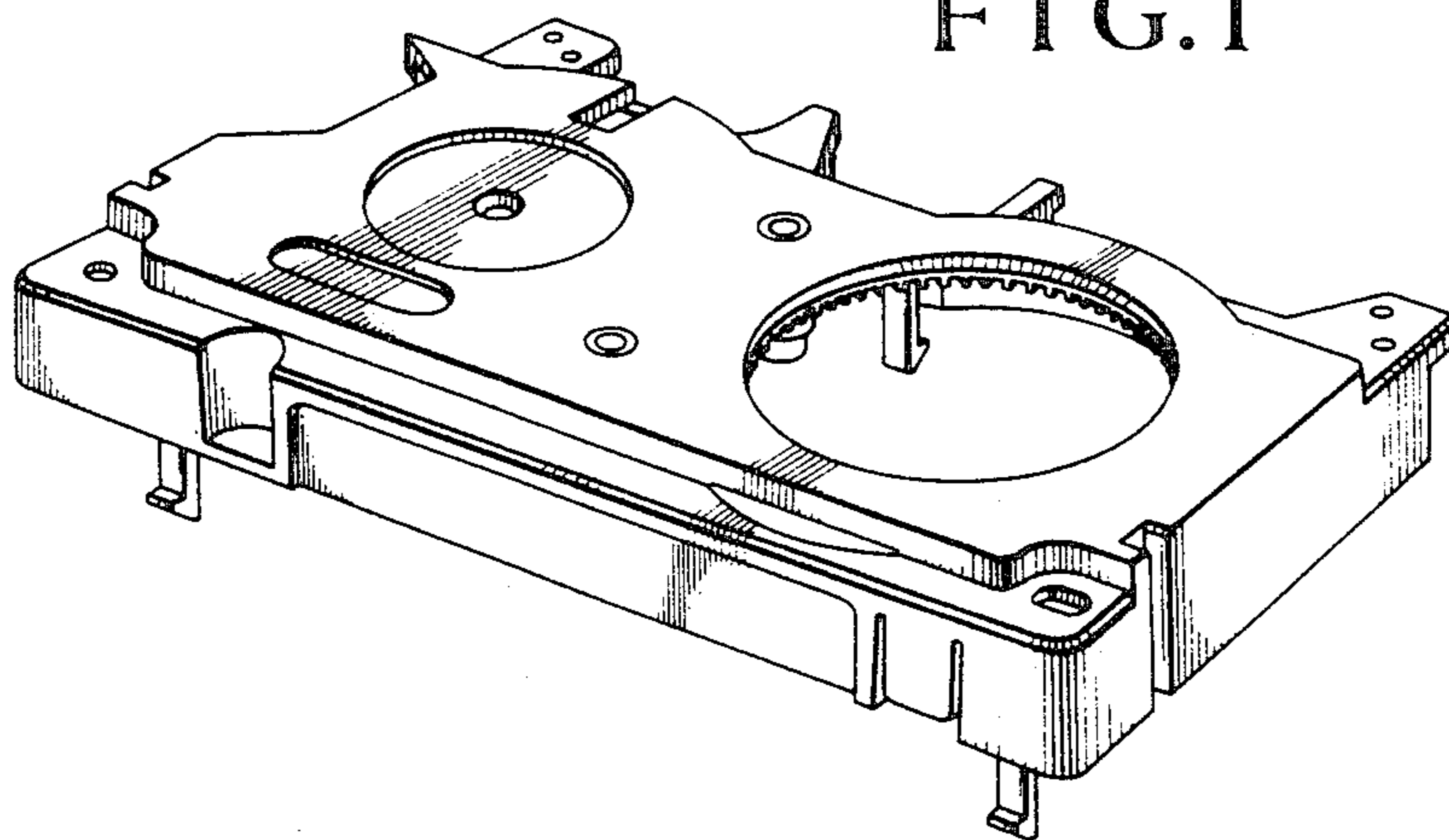


FIG. 2

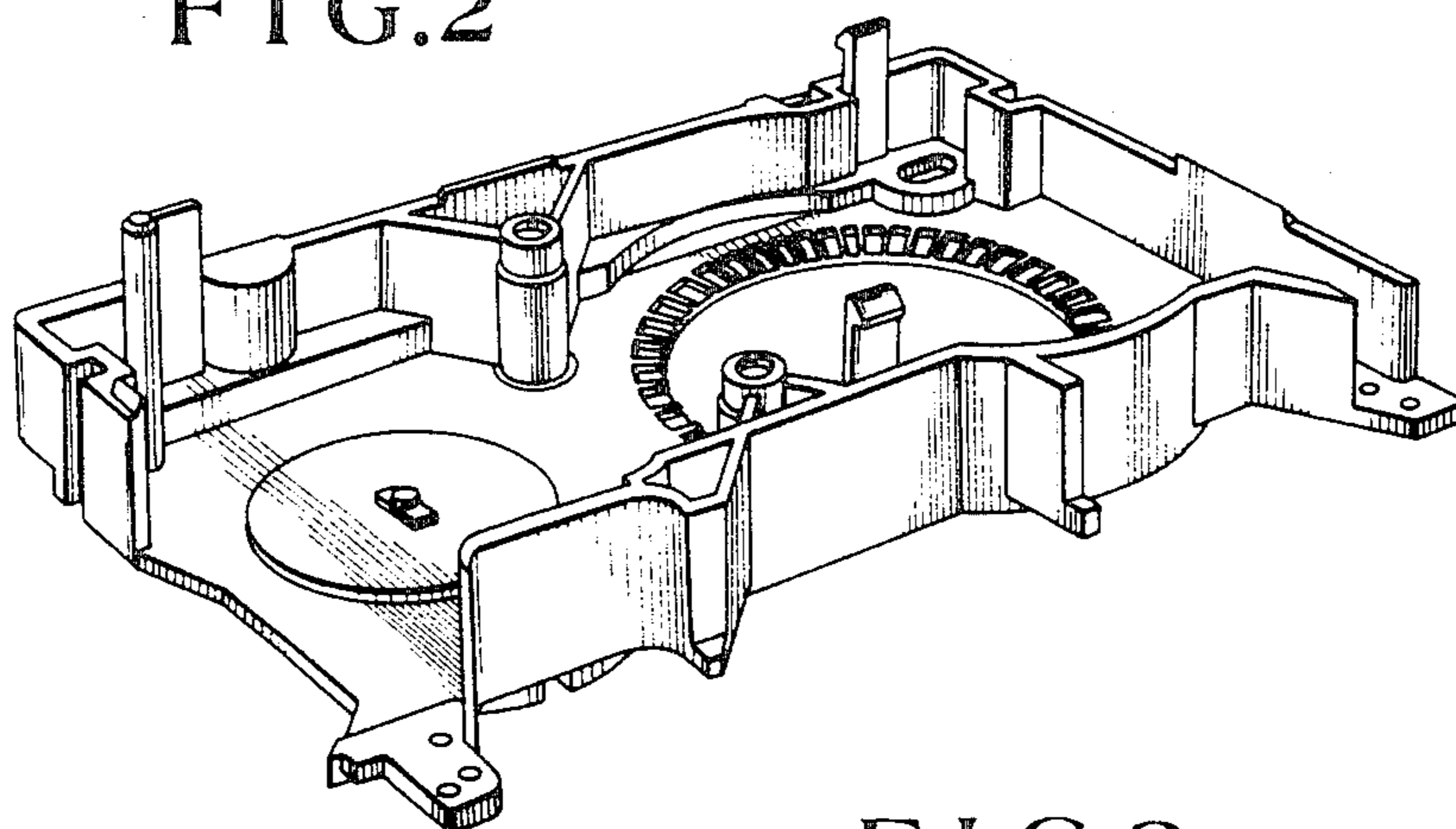


FIG. 3

