

United States Patent [19]

Ogata et al.

[11] Patent Number: **Des. 277,567**

[45] Date of Patent: **** Feb. 12, 1985**

[54] VIDEO TAPE CASSETTE UPPER HALF CASING

[75] Inventors: **Haruki Ogata**, Sagamihara; **Kimio Ogawa**, Yokohama, both of Japan

[73] Assignee: **Victor Company of Japan, Limited**, Yokohama, Japan

[**] Term: **14 Years**

[21] Appl. No.: **440,711**

[22] Filed: **Nov. 10, 1982**

[30] **Foreign Application Priority Data**

May 20, 1982 [JP] Japan 57-22012

[52] U.S. Cl. **D14/11**

[58] Field of Search D14/11; 206/387; 242/197-199; 360/132

[56] **References Cited**

U.S. PATENT DOCUMENTS

D. 221,774 9/1971 Ikuta et al. D14/11
4,291,800 9/1981 Okamura et al. 206/387
4,438,860 3/1984 Okamura et al. 242/197 X
4,452,407 6/1984 Ogata et al. 242/198

FOREIGN PATENT DOCUMENTS

54-53511 4/1979 Japan 206/387

Primary Examiner—Jane E. Corrigan

Attorney, Agent, or Firm—Cushman, Darby & Cushman

[57] **CLAIM**

The ornamental design for video tape cassette upper half casing, as shown.

DESCRIPTION

FIG. 1 is a front, top and left side perspective view of a video tape cassette upper half casing showing our new design;

FIG. 2 is a rear, bottom and right side perspective view thereof; and

FIG. 3 is a bottom plan view thereof.

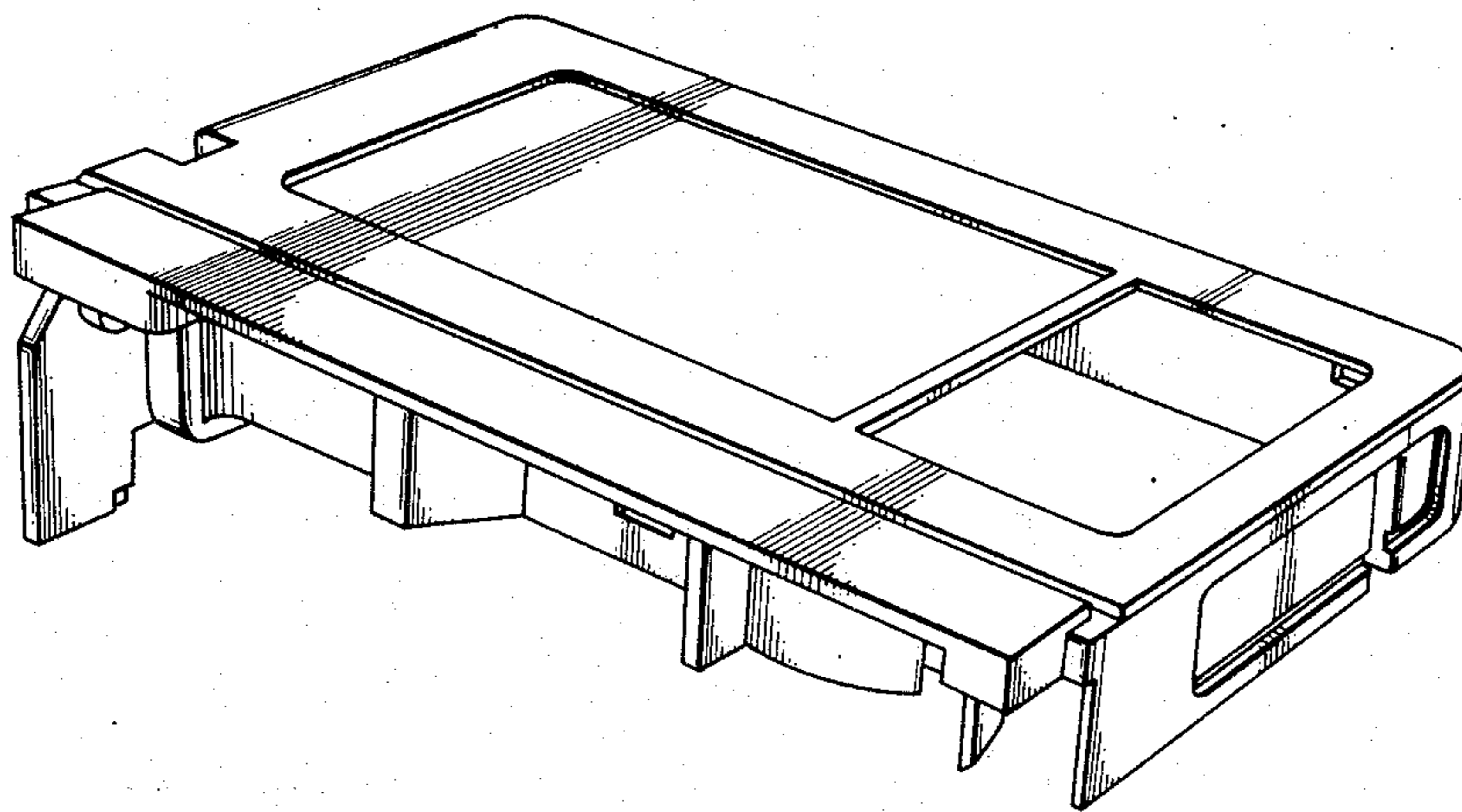


FIG. 1

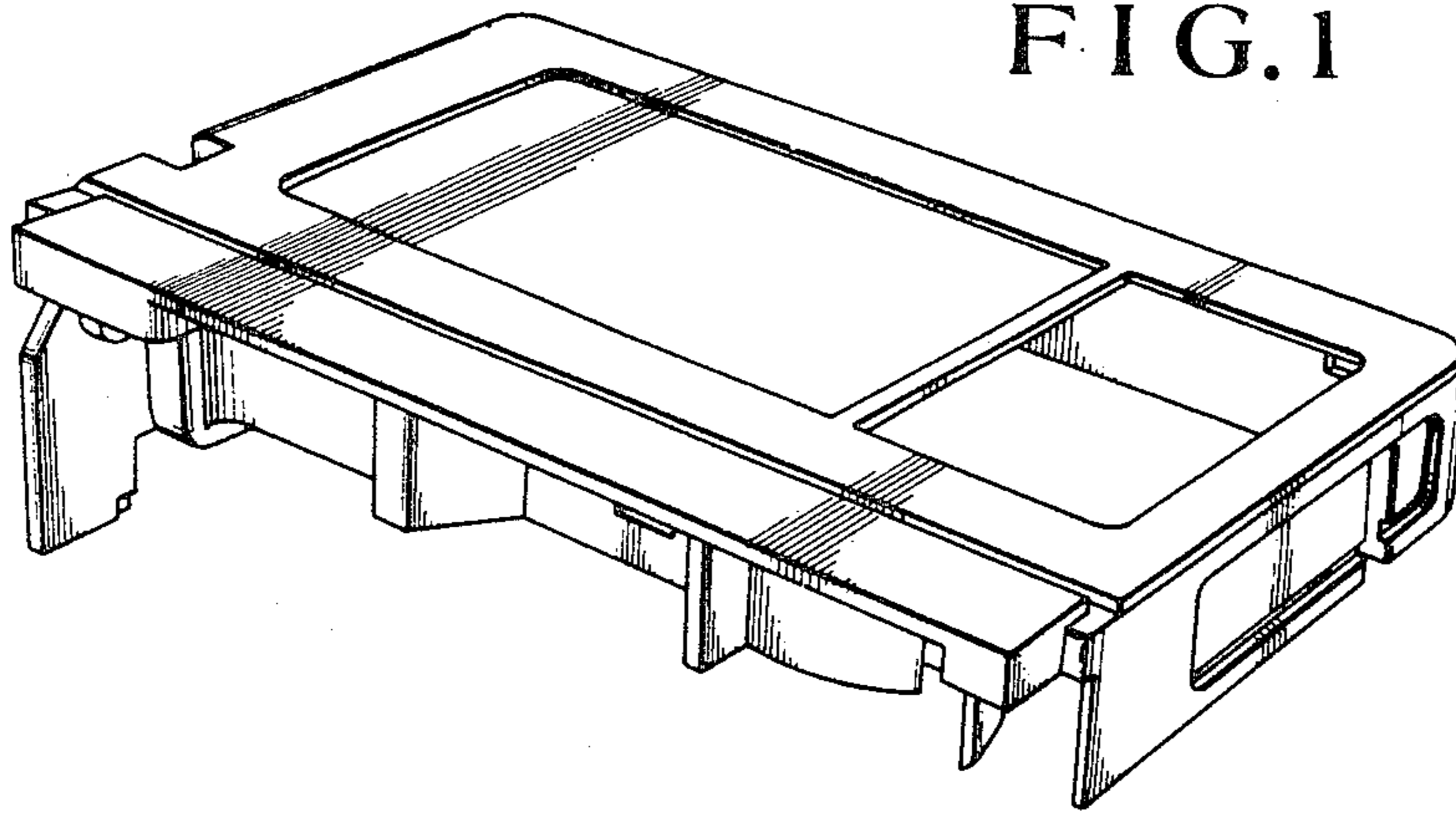


FIG. 2

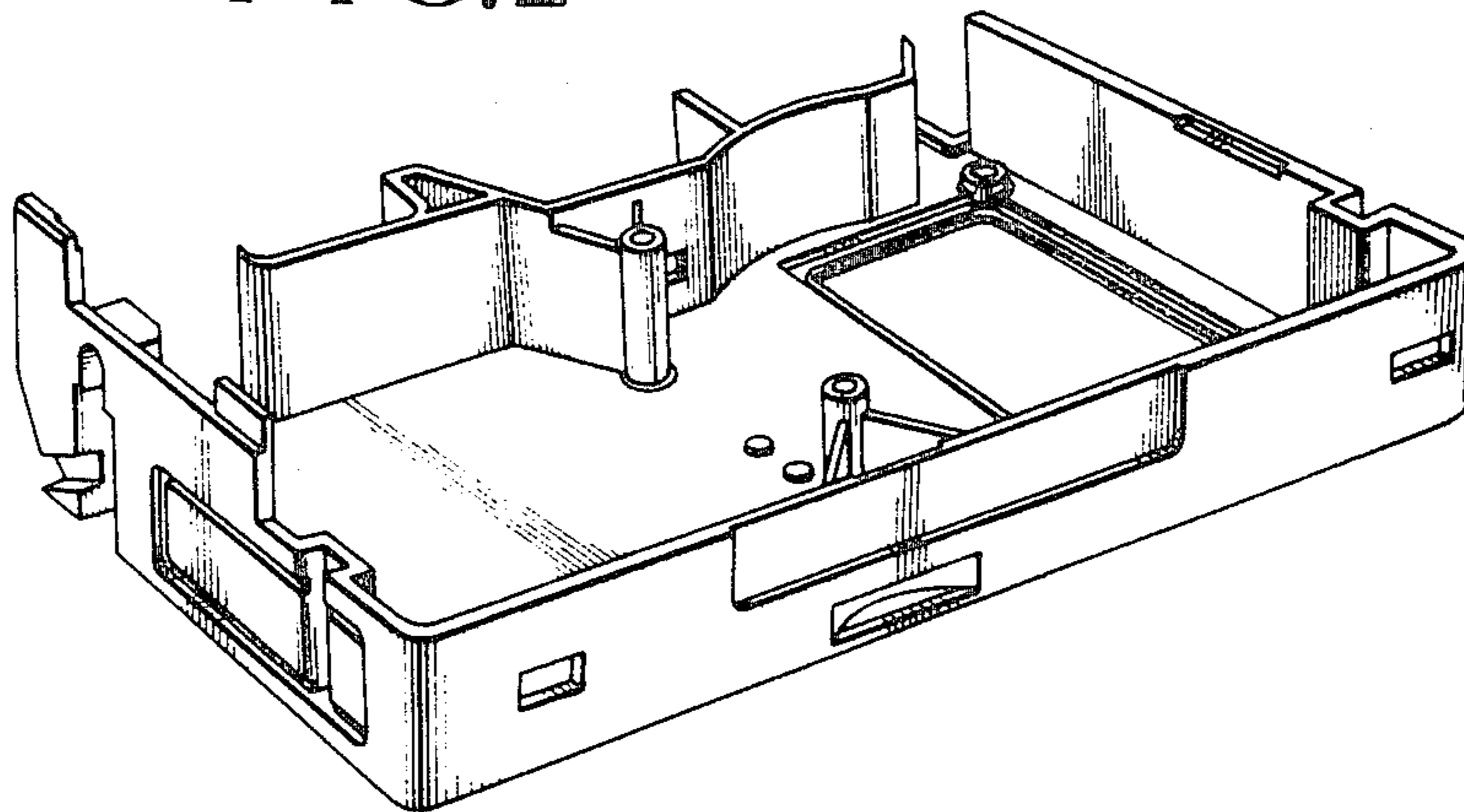


FIG. 3

