

United States Patent [19]

Mallory

[11] Patent Number: **Des. 277,558**

[45] Date of Patent: **** Feb. 12, 1985**

[54] **SMOKE DETECTING PHOTOELECTRIC SENSING CHAMBER**

[75] Inventor: **John Mallory, Mississauga, Canada**

[73] Assignee: **Isotec Industries Limited, Toronto, Canada**

[**] Term: **14 Years**

[21] Appl. No.: **460,396**

[22] Filed: **Jan. 24, 1983**

[52] U.S. Cl. **D10/106**

[58] Field of Search **D10/104, 106, 121; 340/628, 629, 630, 693, 237; 350/218**

[56] **References Cited**

U.S. PATENT DOCUMENTS

D. 270,625 9/1983 Hiltenbrand D10/121
3,555,532 1/1971 White et al. 340/630

3,579,216 5/1971 Vasel 34/630
3,723,747 3/1973 Steele 340/630
3,976,891 8/1976 Parkinson 340/630

Primary Examiner—B. J. Bullock
Assistant Examiner—Suzanne N. Gitlin
Attorney, Agent, or Firm—Sim & McBurney

[57] CLAIM

The ornamental design for a smoke detecting photoelectric sensing chamber, as shown.

DESCRIPTION

FIG. 1 is a rear and top perspective view of a smoke detecting photoelectric sensing chamber showing my new design;

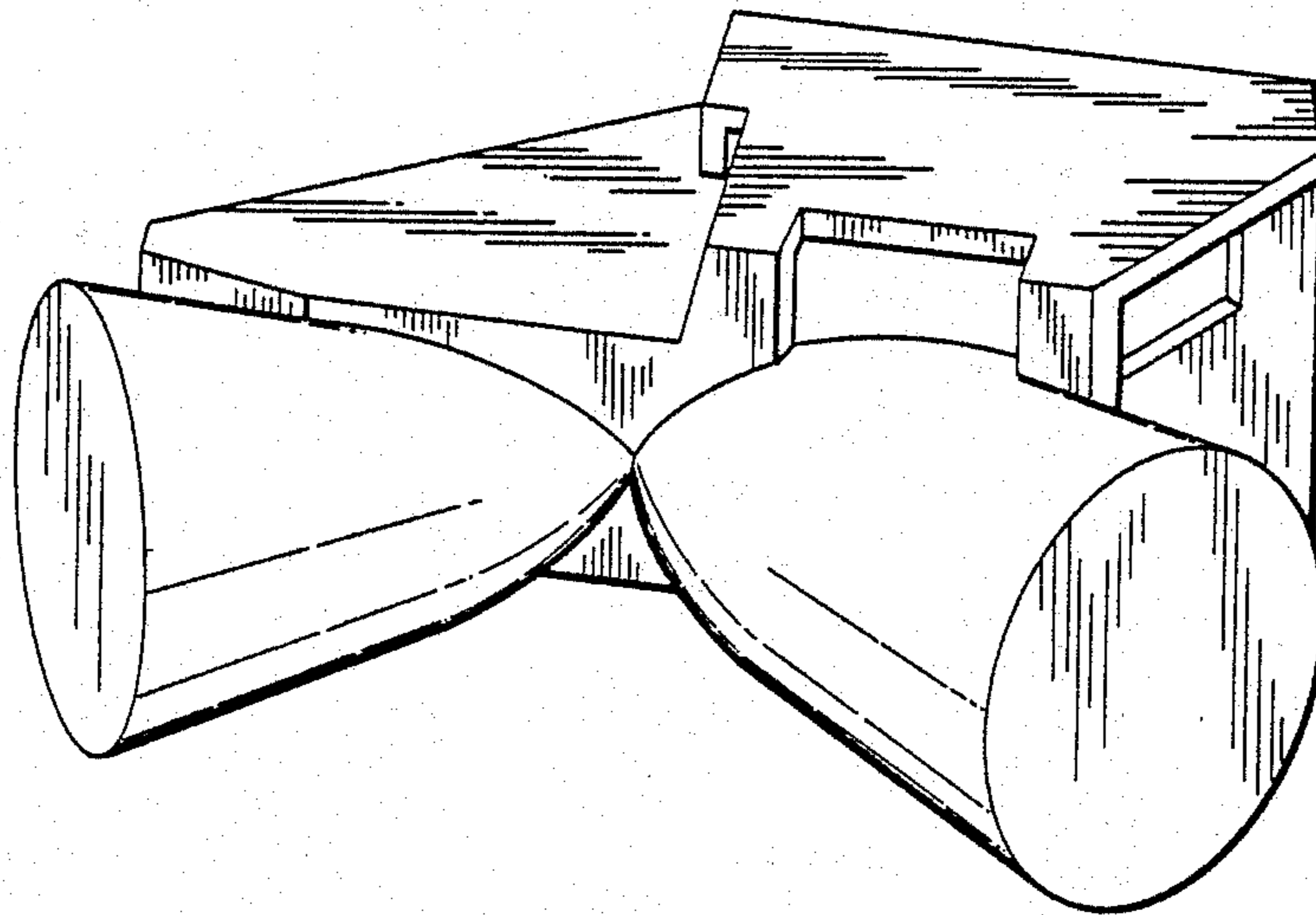
FIG. 2 is a front and bottom perspective view thereof;

FIG. 3 is a top plan view thereof;

FIG. 4 is a bottom plan view thereof;

FIG. 5 is a rear elevational view thereof;

FIG. 6 is a front elevational view thereof.



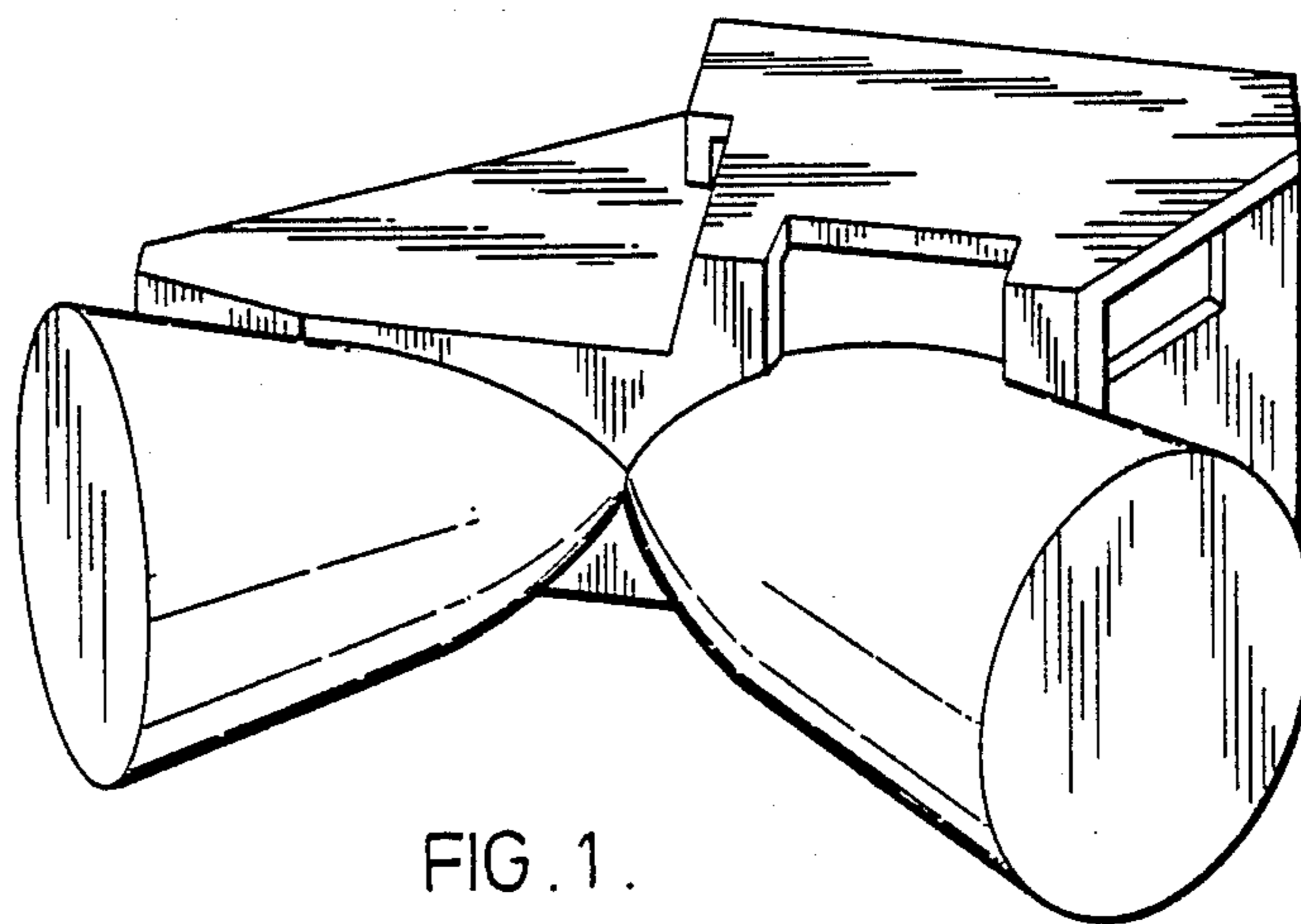


FIG. 1.

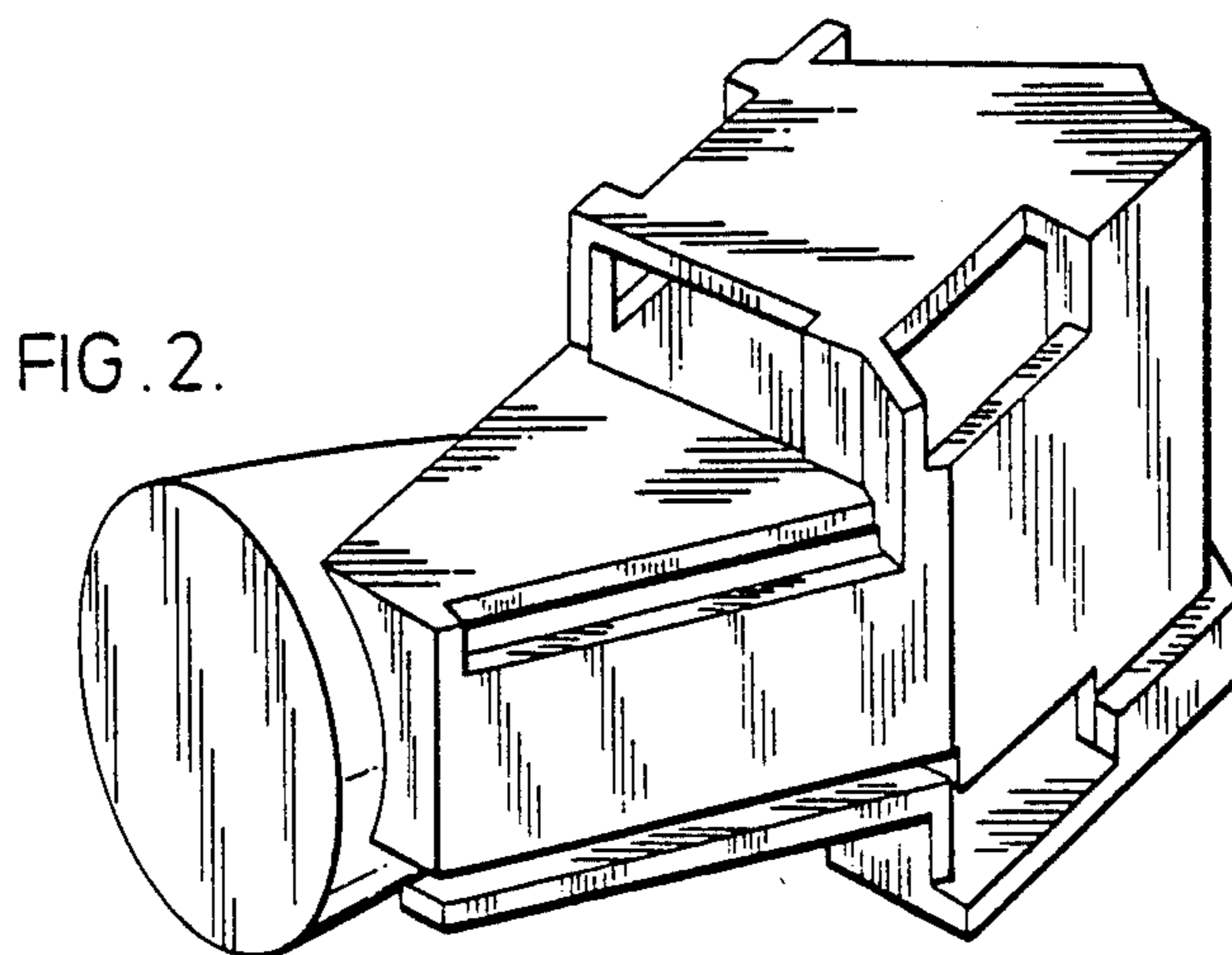


FIG. 2.

FIG. 3.

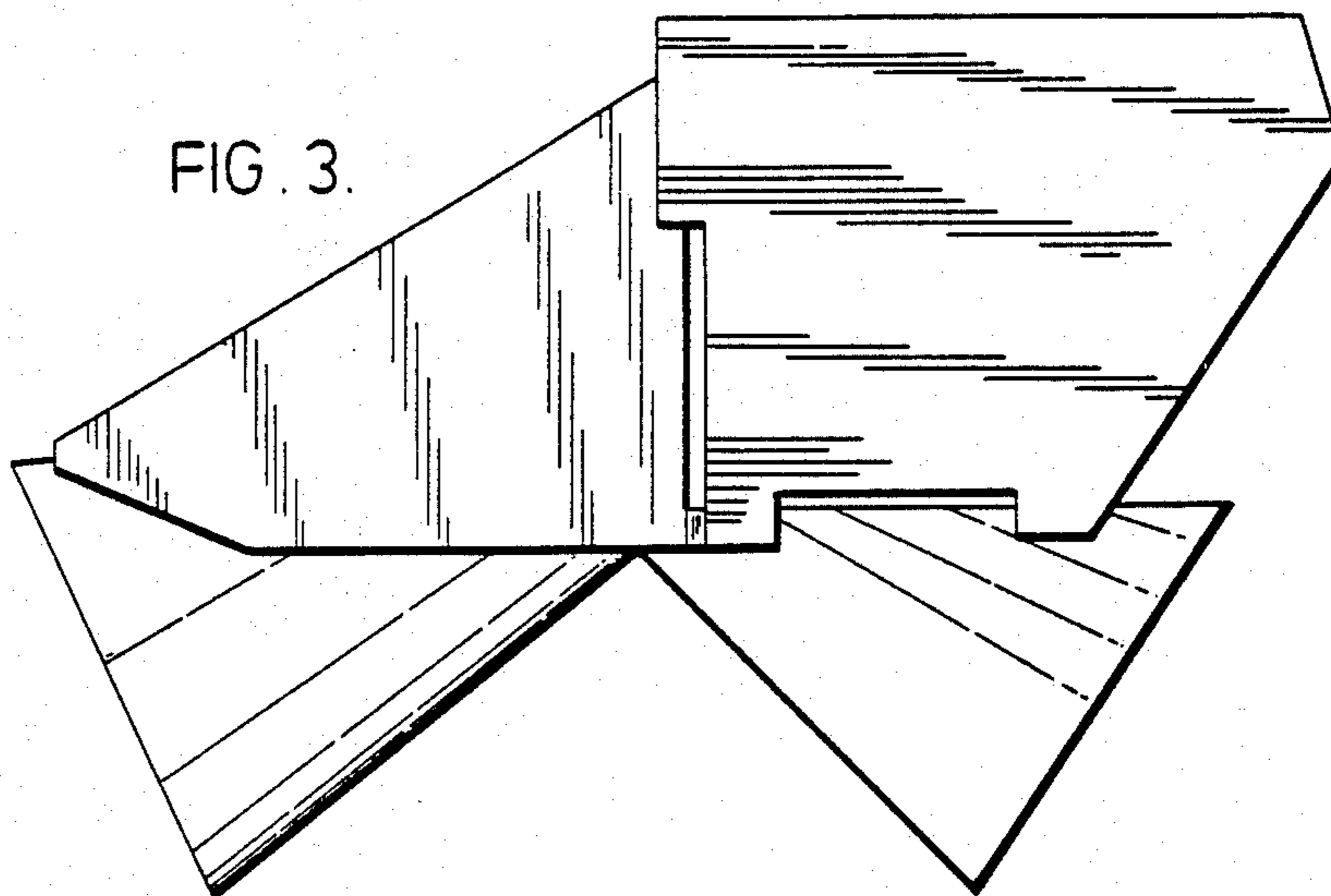


FIG. 4.

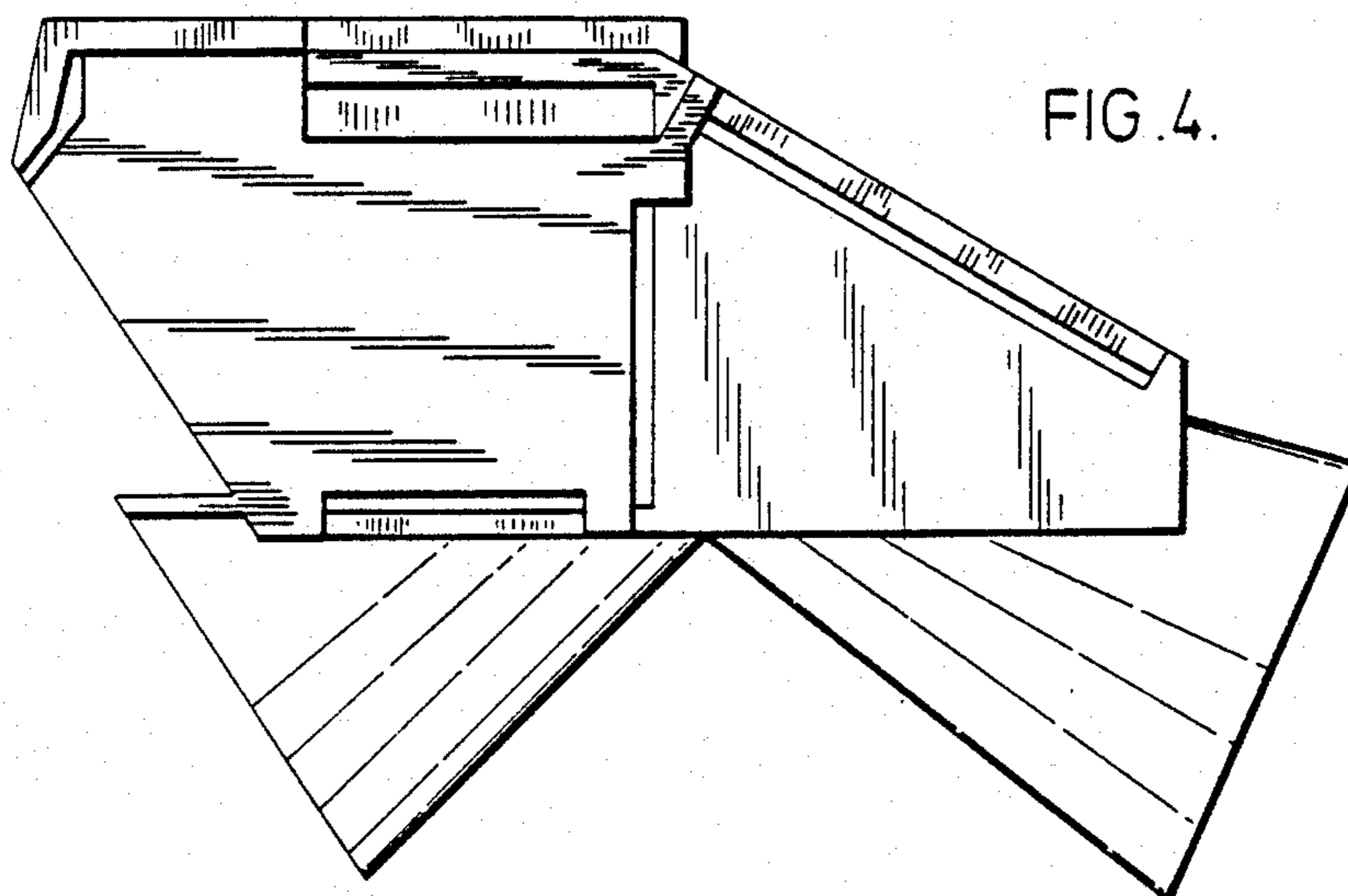


FIG. 5.

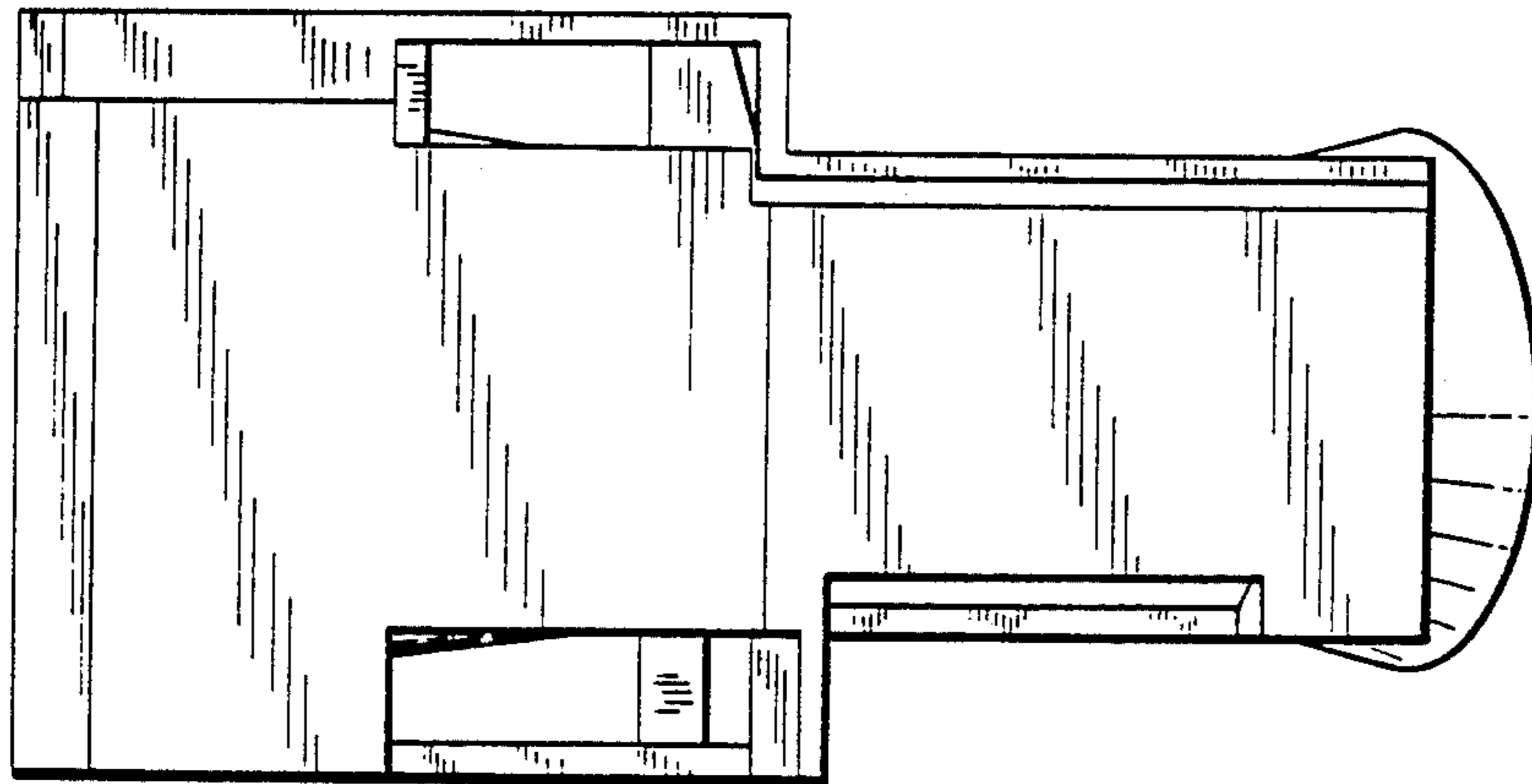
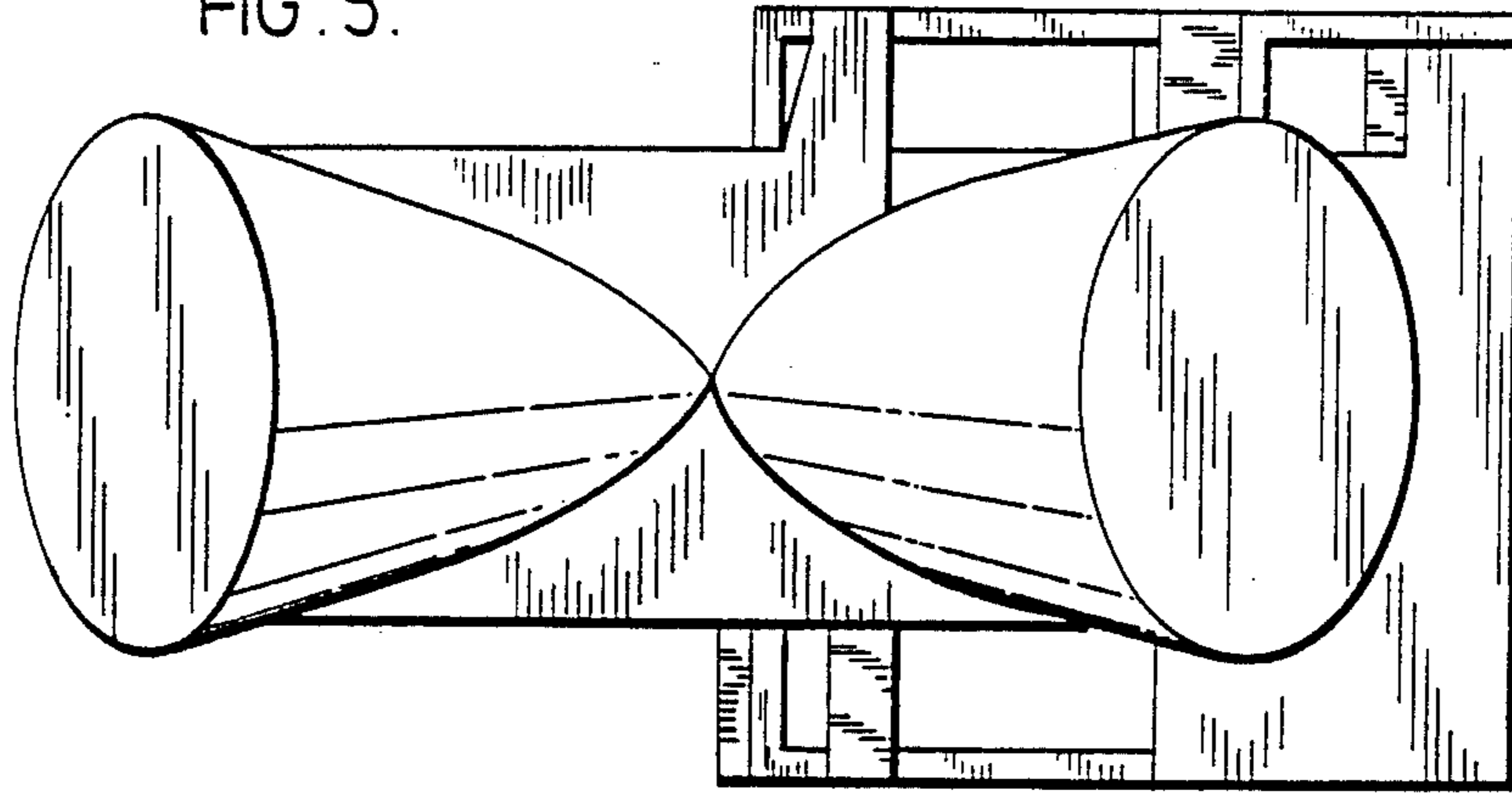


FIG. 6.