

[54] MITRE BOX WITH CORNER CLAMPS

[75] Inventor: Joseph P. DeCarolis, Bristol, Conn.

[73] Assignee: The Stanley Works, New Britain, Conn.

[**] Term: 14 Years

[21] Appl. No.: 360,070

[22] Filed: Mar. 22, 1982

[52] U.S. Cl. D8/71

[58] Field of Search D8/71; 83/761, 762,
83/763, 764, 765; 269/41, 295

[56] References Cited

U.S. PATENT DOCUMENTS

999,769	8/1911	Fish	83/763
2,220,794	11/1940	Pearce	83/762
4,023,787	5/1977	Violette	269/41
4,056,030	11/1977	Hahn	83/762

FOREIGN PATENT DOCUMENTS

12103 4/1896 Fed. Rep. of Germany 83/761

Primary Examiner—Catherine E. Kemper

Assistant Examiner—Clare E. Heflin

[57] CLAIM

The ornamental design for a mitre box with corner clamps, as shown and described.

DESCRIPTION

FIG. 1 is a perspective view of a mitre box with corner clamps showing my new design, with the backsaw being shown in broken line for illustrative purposes only;

FIG. 2 is a side elevational view of a mitre box with corner clamps shown on an enlarged scale and with the backsaw removed;

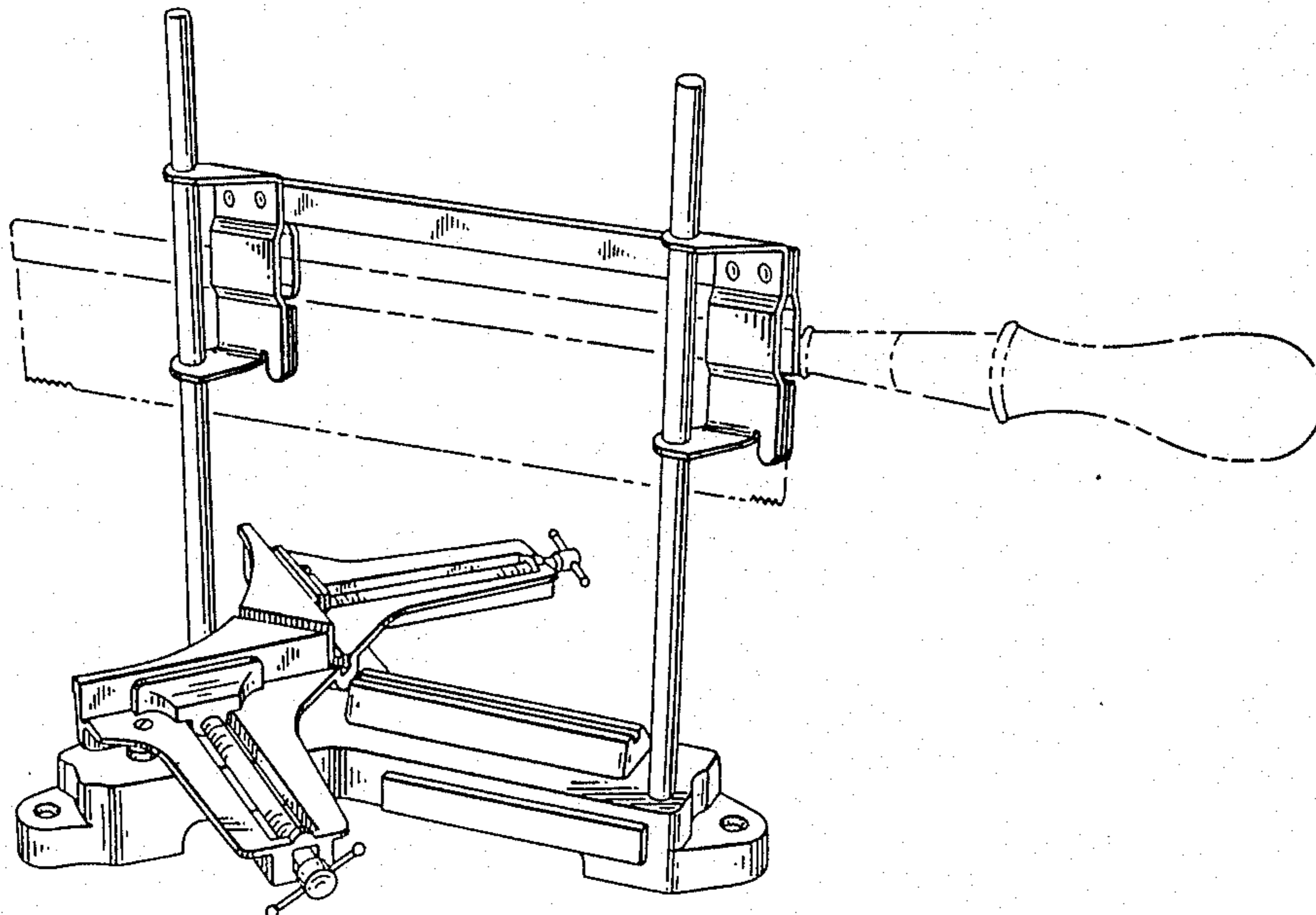
FIG. 3 is an elevational view of the opposite side thereof;

FIG. 4 is a front elevational view thereof;

FIG. 5 is a rear elevational view thereof;

FIG. 6 is a top plan view thereof; and

FIG. 7 is a bottom view thereof.



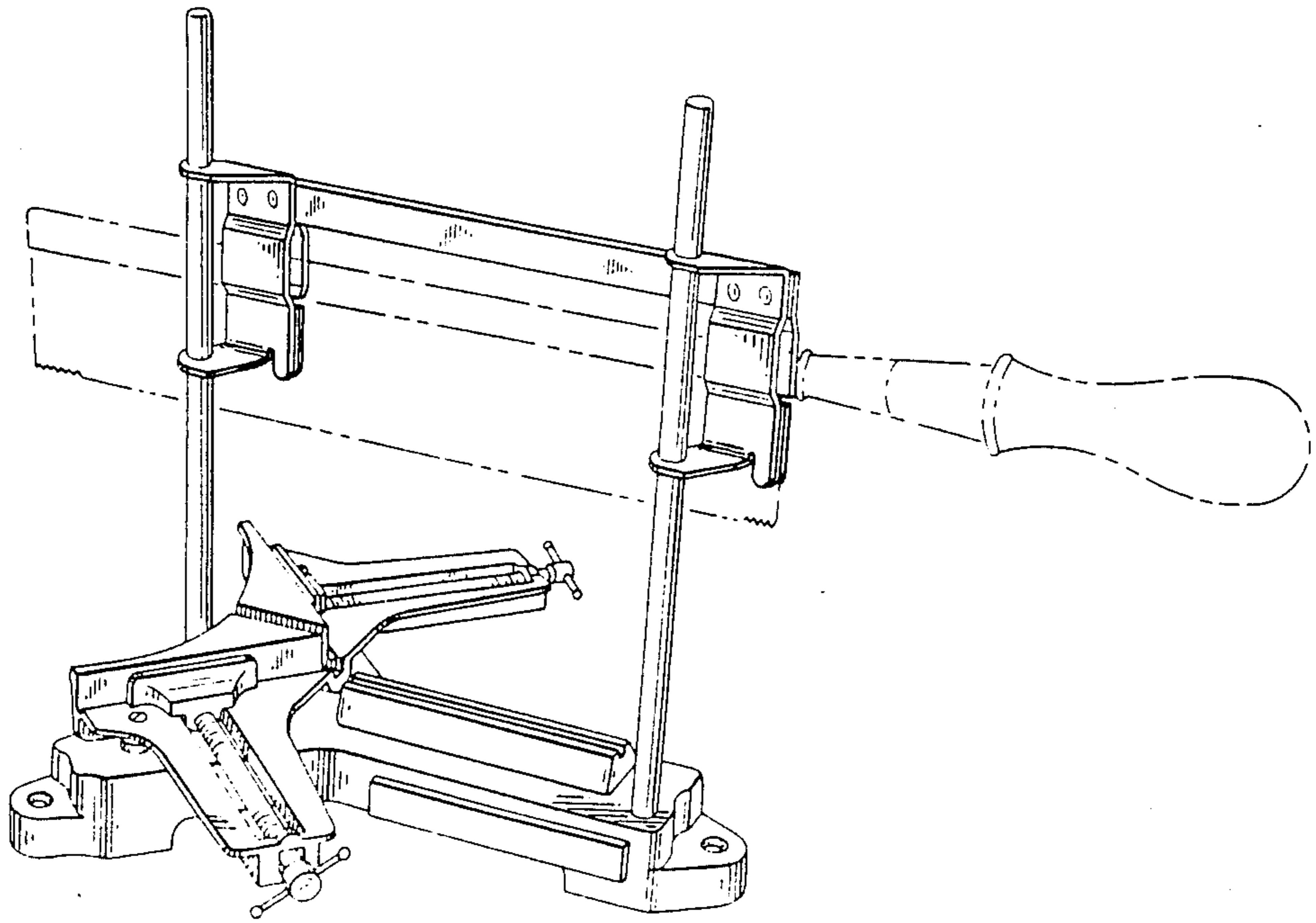


FIG. 1

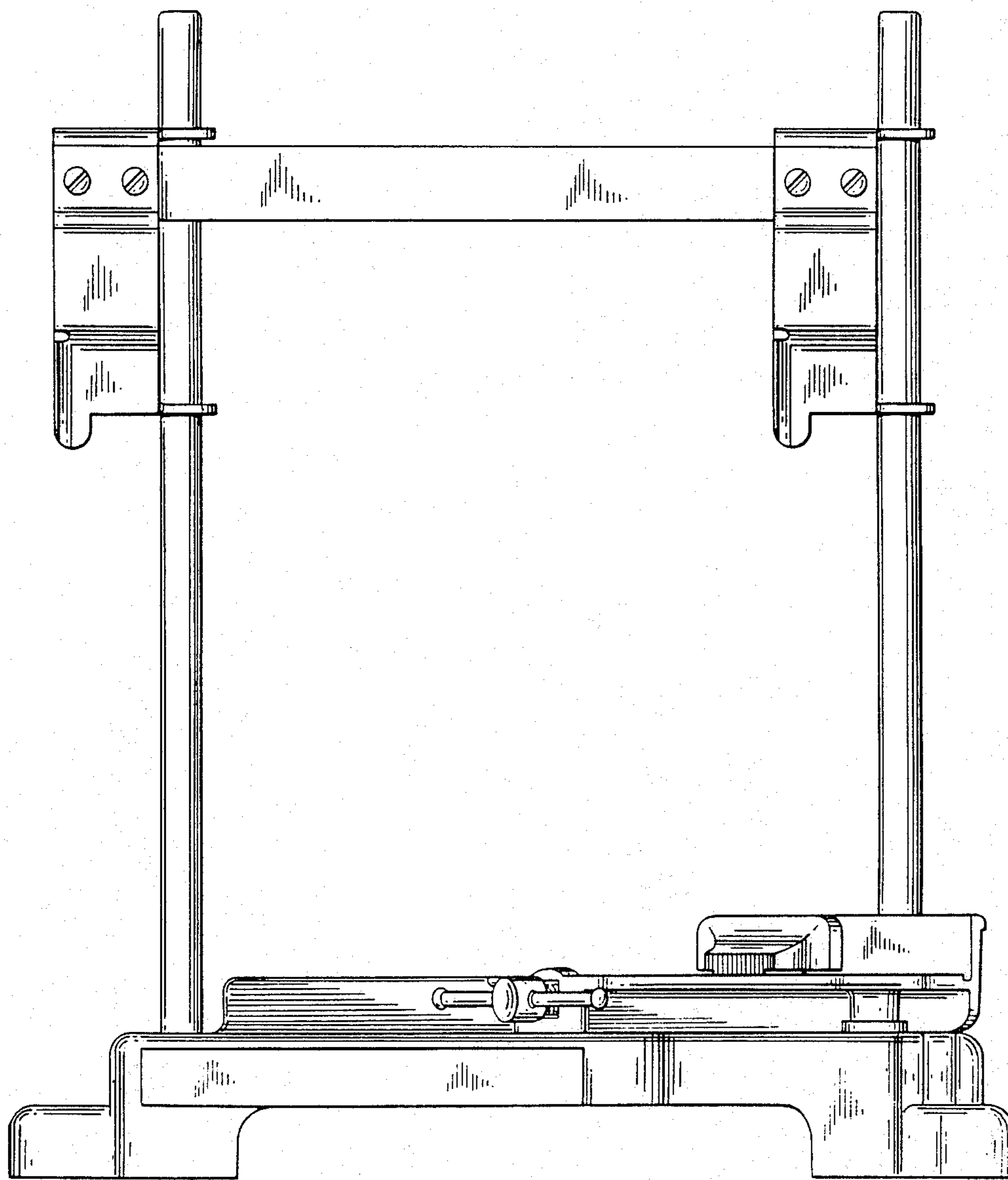


FIG. 2

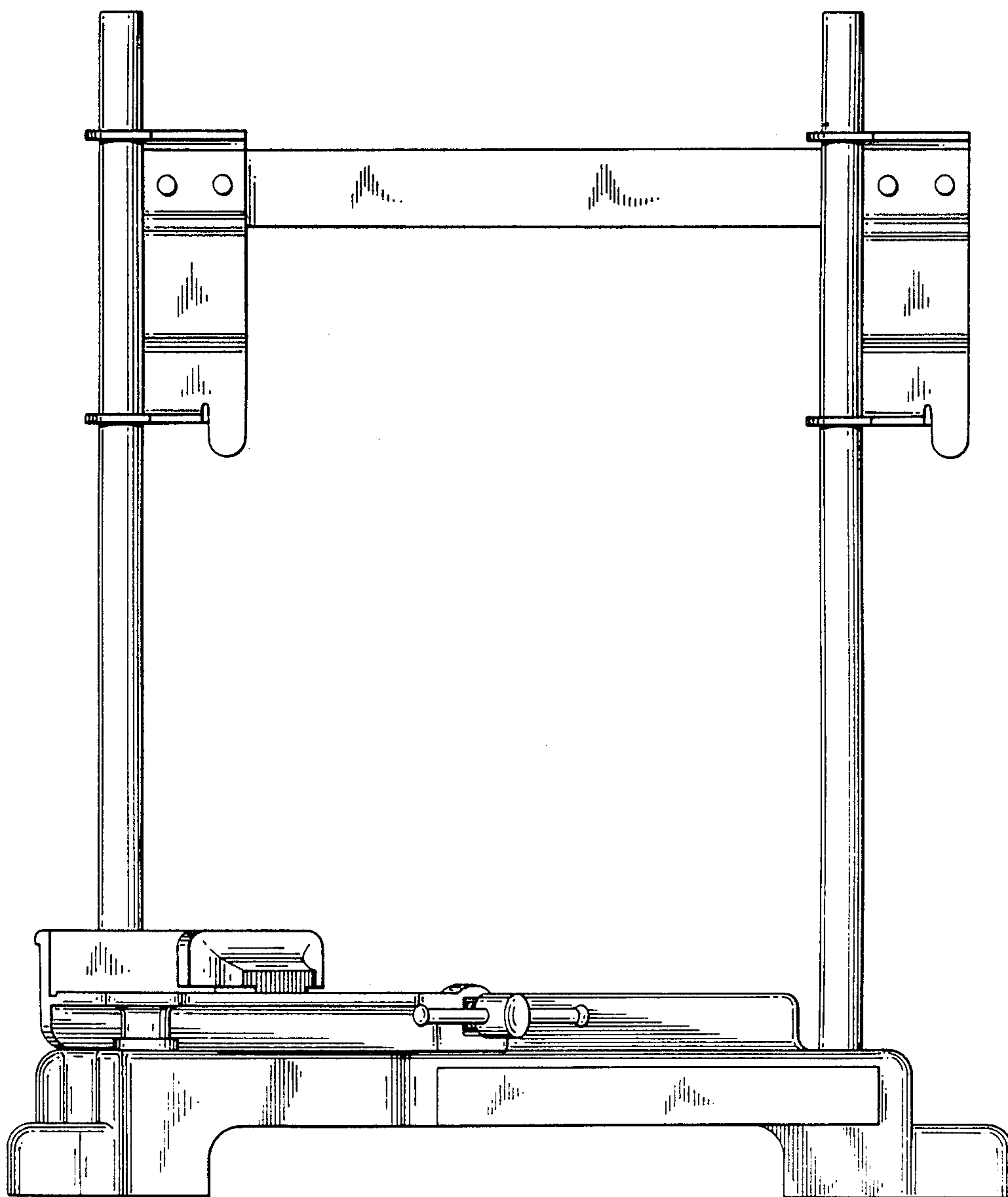


FIG. 3

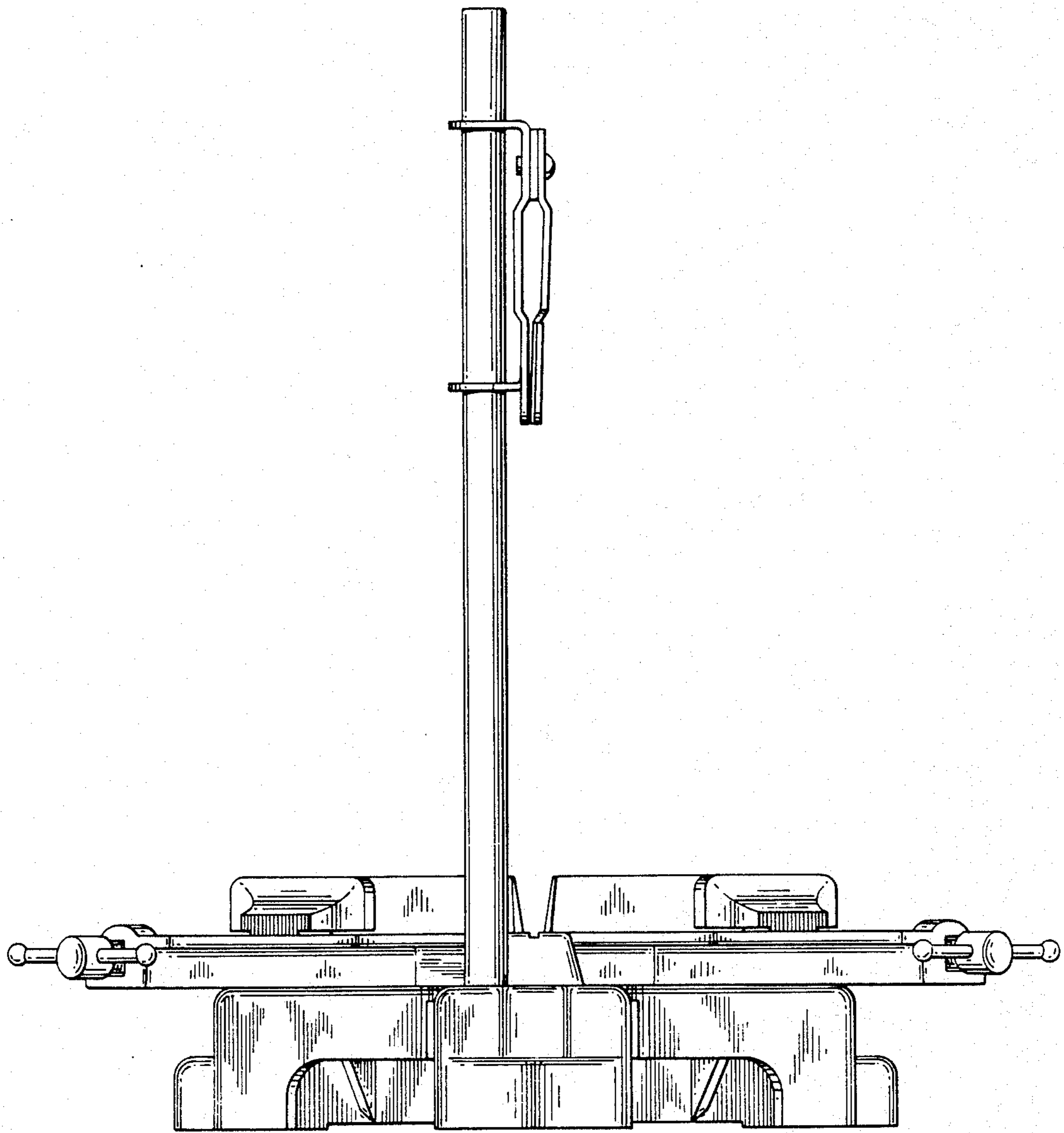


FIG. 4

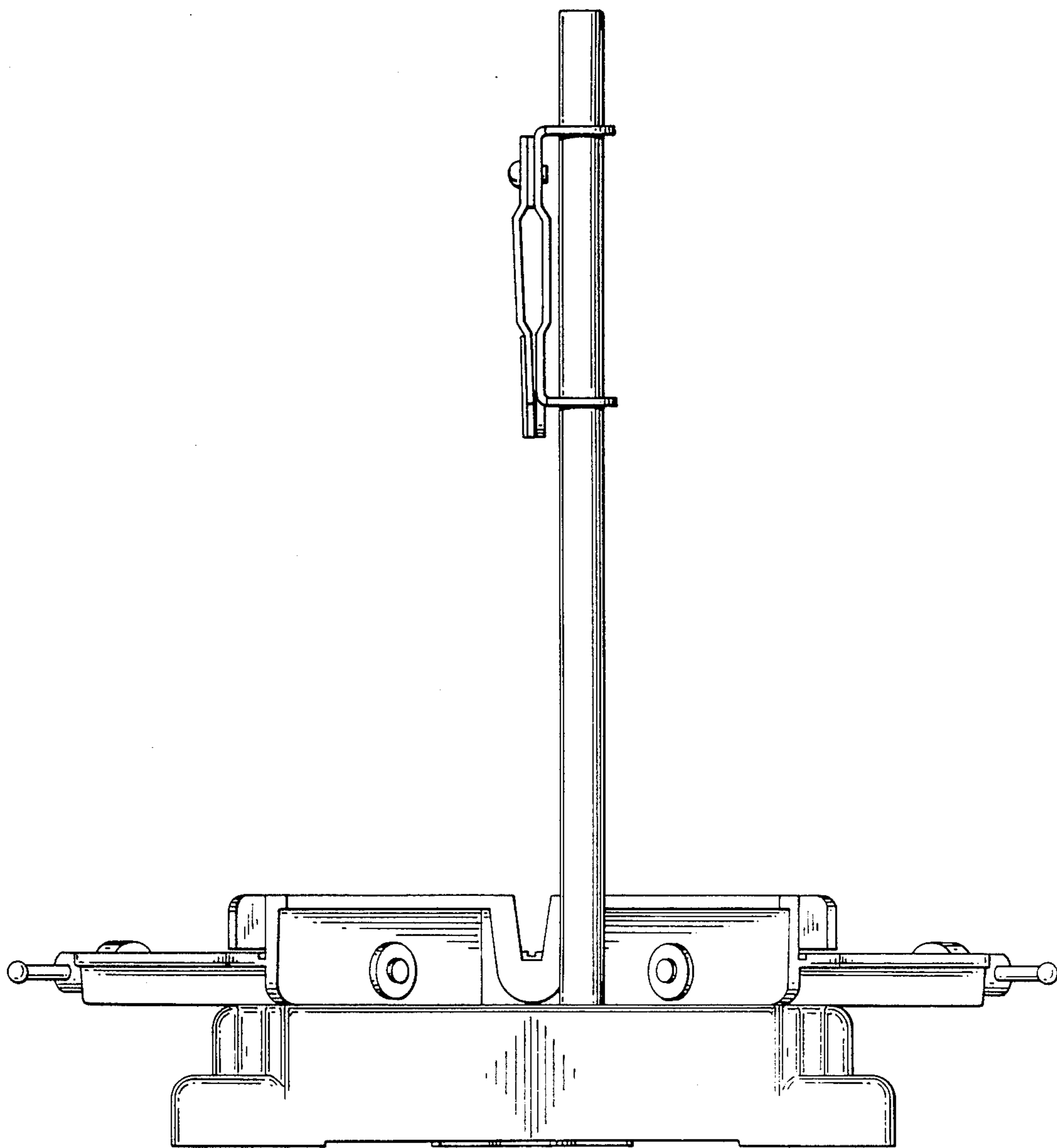


FIG. 5

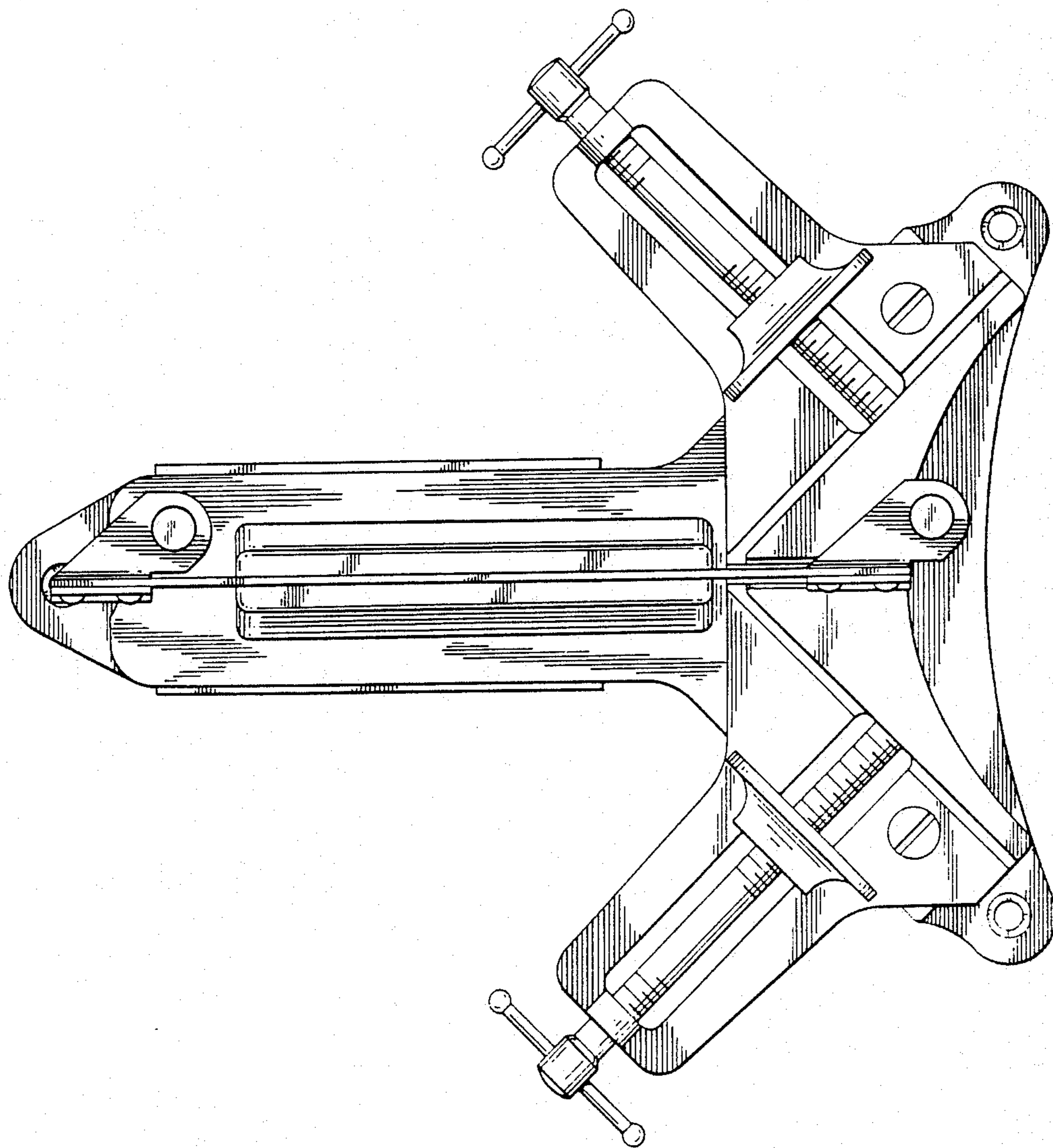


FIG. 6

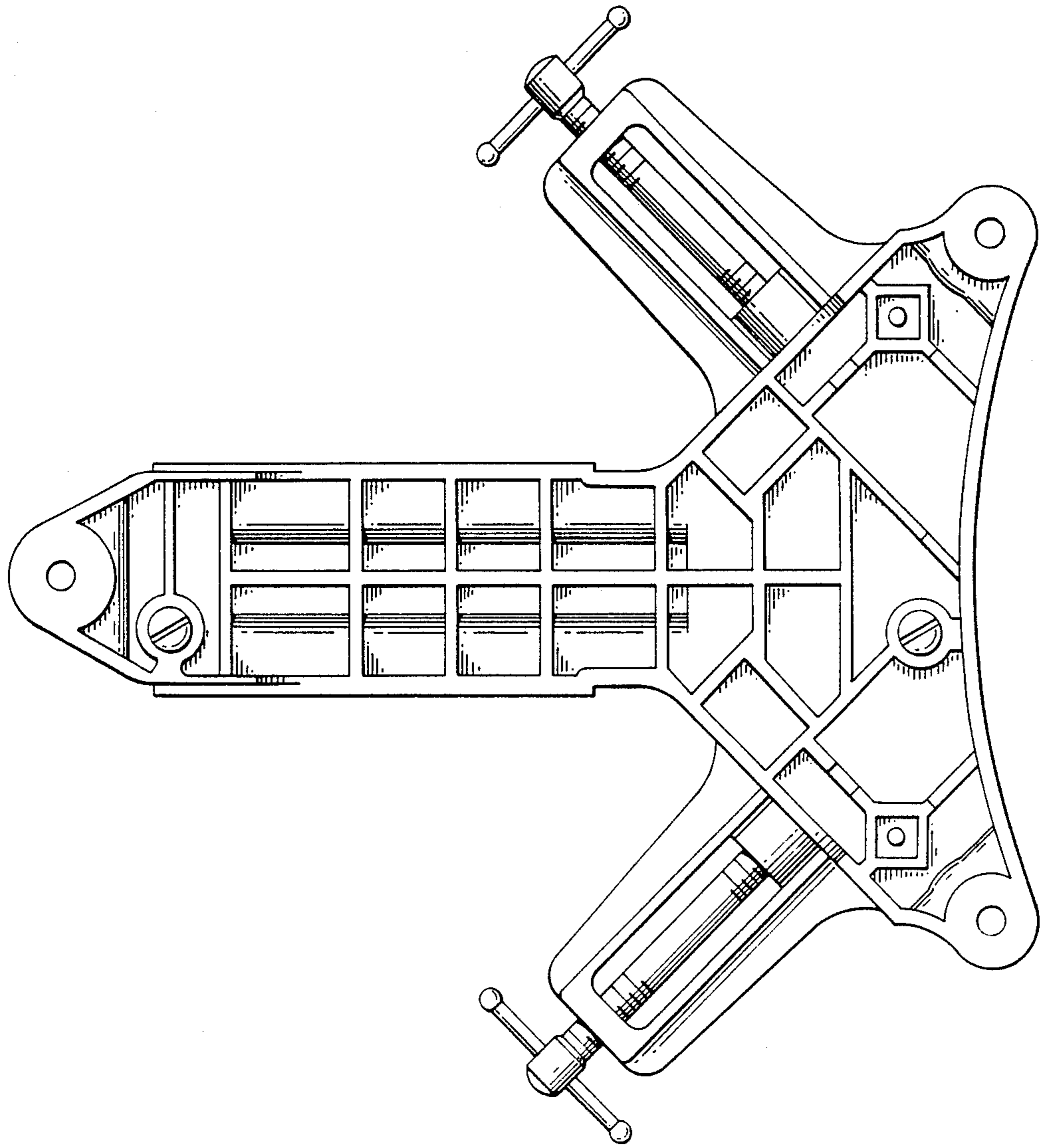


FIG. 7