

# United States Patent [19]

Nanbu et al.

[11] Patent Number: **Des. 277,542**

[45] Date of Patent: **\*\* Feb. 12, 1985**

[54] MICROWAVE OVEN

[75] Inventors: **Taiji Nanbu; Akira Takebata;  
Shigefumi Inoue, all of Nara, Japan**

[73] Assignee: **Matsushita Electric Industrial Co.,  
Ltd., Osaka, Japan**

[\*\*] Term: **14 Years**

[21] Appl. No.: **375,257**

[22] Filed: **May 5, 1982**

[30] **Foreign Application Priority Data**

Dec. 9, 1981 [JP] Japan ..... 56-54753

[52] U.S. Cl. .... **D7/351**

[58] Field of Search ..... D7/351; 219/10.55, 385,  
219/386, 391-393, 399-405; 126/1 R, 19 R;  
312/236

[56] **References Cited**

**U.S. PATENT DOCUMENTS**

D. 235,609 7/1975 Kawata ..... D7/351  
D. 242,420 11/1976 Ura et al. .... D7/351  
D. 251,052 2/1979 Kosako ..... D7/351  
D. 252,494 7/1979 Mori et al. .... D7/351  
D. 256,208 8/1980 Yamamura et al. .... D7/351  
4,360,723 11/1982 Fukuda et al. .... 219/10.55 R

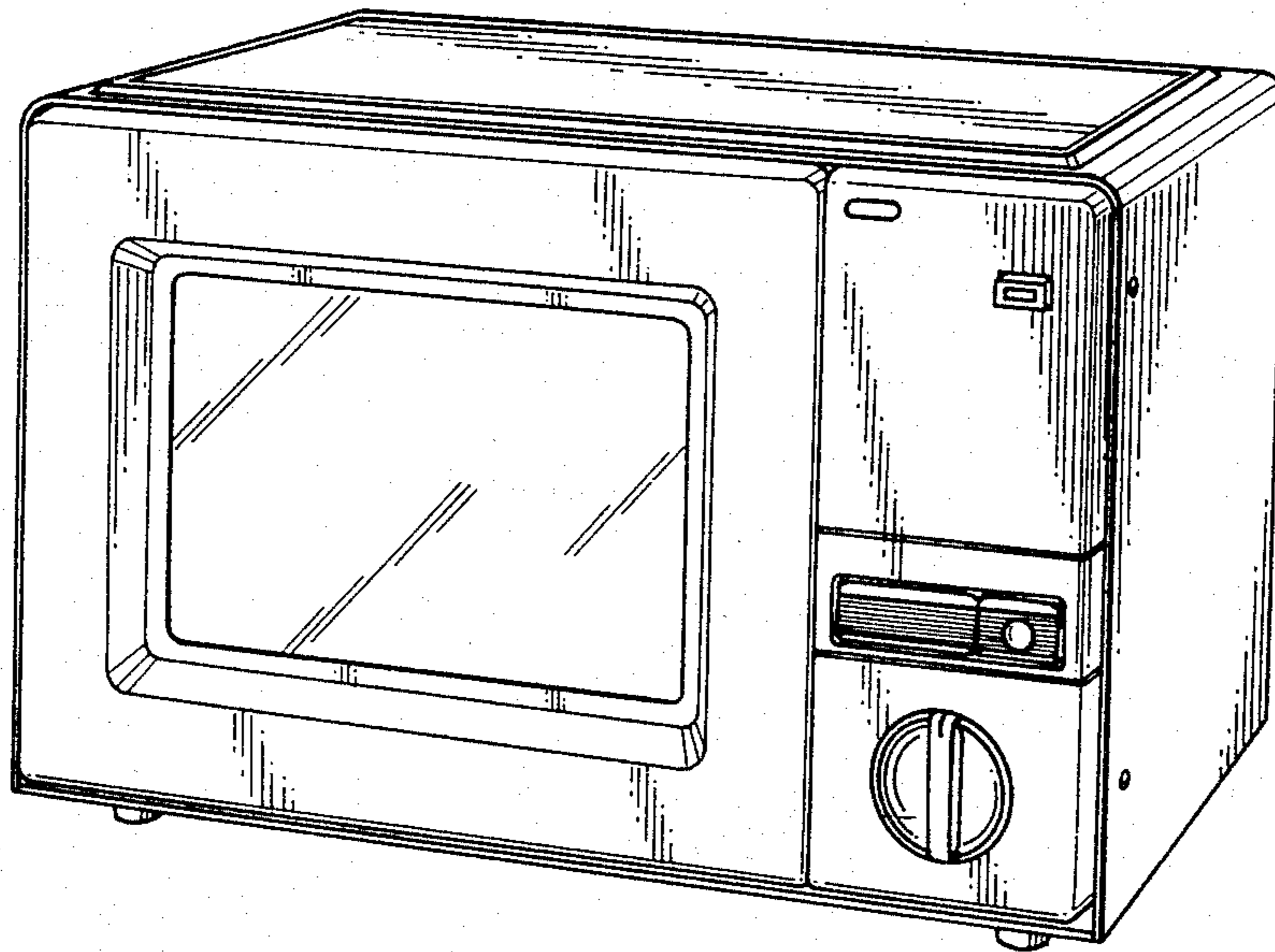
*Primary Examiner*—Wallace R. Burke  
*Assistant Examiner*—Lynn Wilder  
*Attorney, Agent, or Firm*—Sughrue, Mion, Zinn,  
Macpeak, and Seas

[57] **CLAIM**

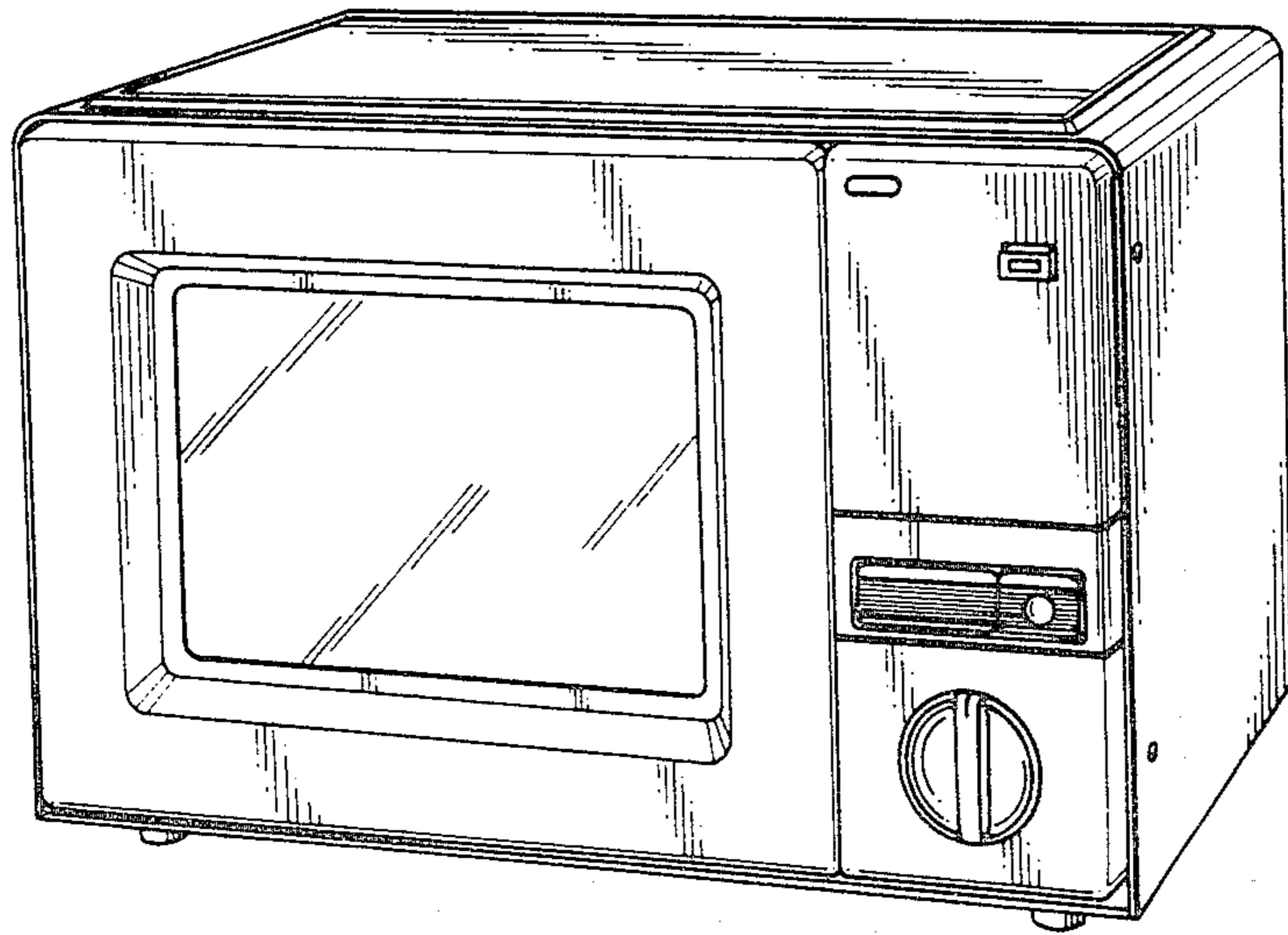
The ornamental design for a microwave oven, as shown.

**DESCRIPTION**

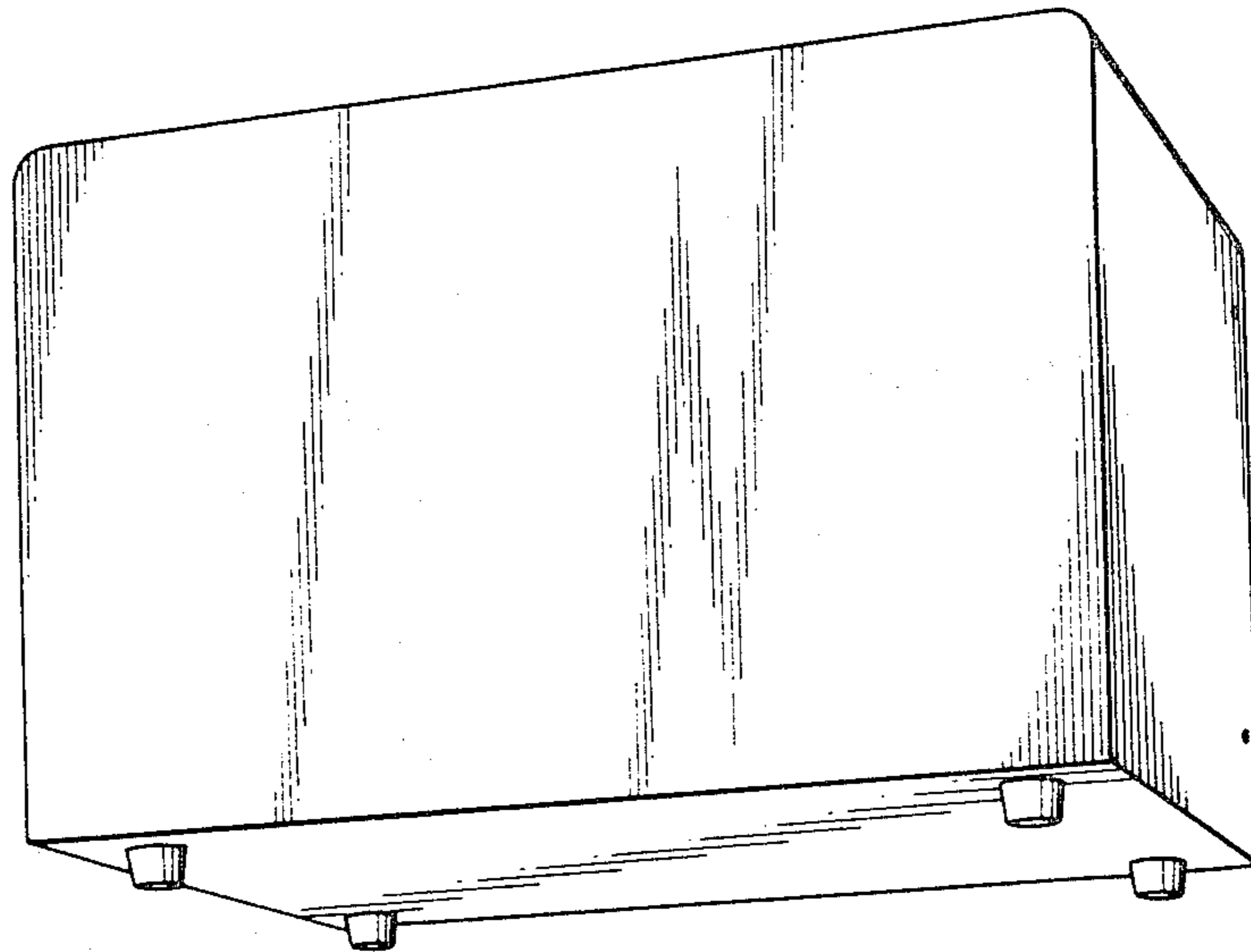
FIG. 1 is a front, top and right side perspective view of a microwave oven showing our new design;  
FIG. 2 is a rear, bottom and left side perspective view thereof;  
FIG. 3 is a top plan view thereof; and  
FIG. 4 is a right side elevational view thereof.



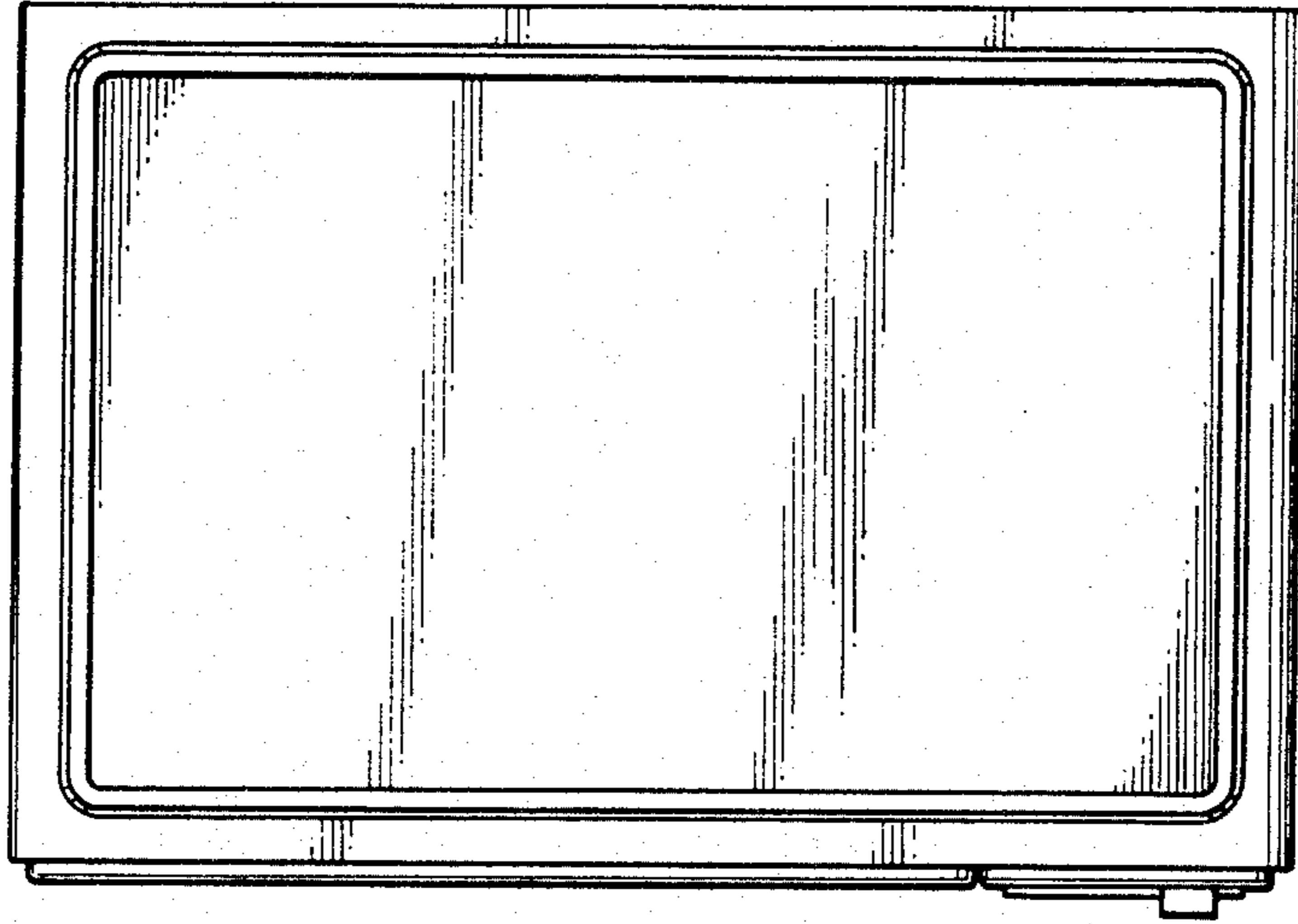
*Fig. 1*



*Fig. 2*



*Fig. 3*



*Fig. 4*

