

[54] **CHARCOAL BARBECUE GRILL**

[76] **Inventor: Henry M. Espinda, 2413 Aniuniu St., Pearl City, Hi. 96782**

[**] **Term: 14 Years**

[21] **Appl. No.: 443,152**

[22] **Filed: Nov. 19, 1982**

[52] **U.S. Cl. D13/3**

[58] **Field of Search D7/331-337;
126/9 R, 9 A, 9 B, 25 R, 25 A, 25 AA, 25 B, 25
C, 29, 30**

[56] **References Cited**

U.S. PATENT DOCUMENTS

D. 187,095	1/1960	Joseph	D7/337
D. 256,316	8/1980	Nichols, Jr.	D7/332
1,421,393	7/1922	Boyle	D7/337
3,103,160	9/1963	Forniti et al.	D7/337
3,807,380	4/1974	Pasin	126/25 R

OTHER PUBLICATIONS

Home Furnishings Daily May 10, 1962, p. 30, Nelson Hibachi-Fireplace & Picnic Grill.

Primary Examiner—A. Hugo Word
Assistant Examiner—Lynn Wilder
Attorney, Agent, or Firm—George W. T. Loo

[57] **CLAIM**

The ornamental design for a charcoal barbecue grill or similar article, substantially as shown and described.

DESCRIPTION

FIG. 1 is a plan view of a charcoal barbecue grill showing my new design.

FIG. 2 is a front elevational view thereof.

FIG. 3 is a right elevational view thereof.

FIG. 4 is a perspective view thereof.

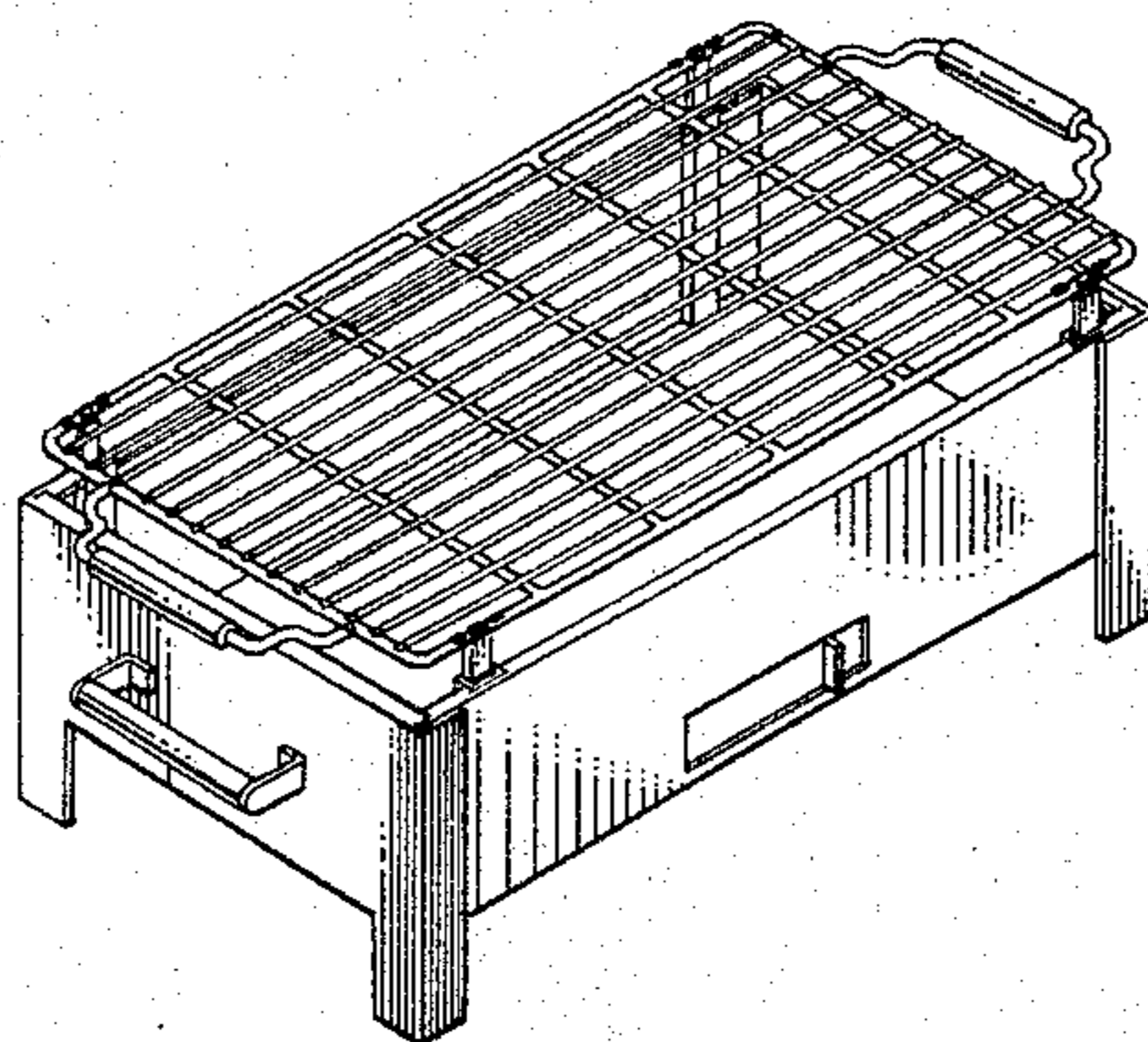
FIG. 5 is an exploded view thereof.

FIG. 6 is a sectional view thereof taken along line 6—6 of FIG. 1.

The bottom of the design is plain.

The rear elevational view is substantially the same as the front elevational view, excepting the sliding vent door.

The lowermost grill, as disclosed in FIGS. 5 and 6 has been omitted in FIGS. 1 and 4 for ease of illustration.



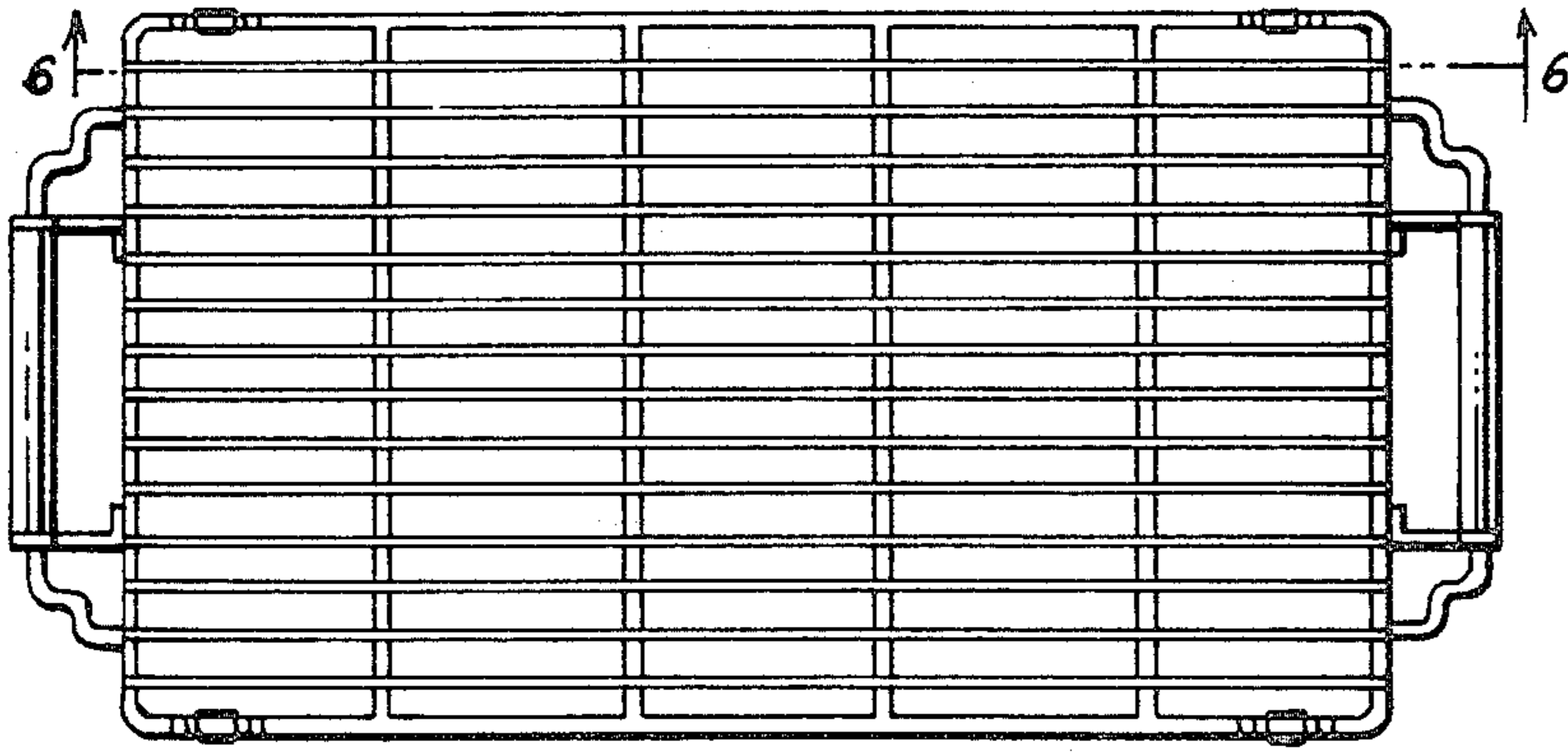


FIG. 1

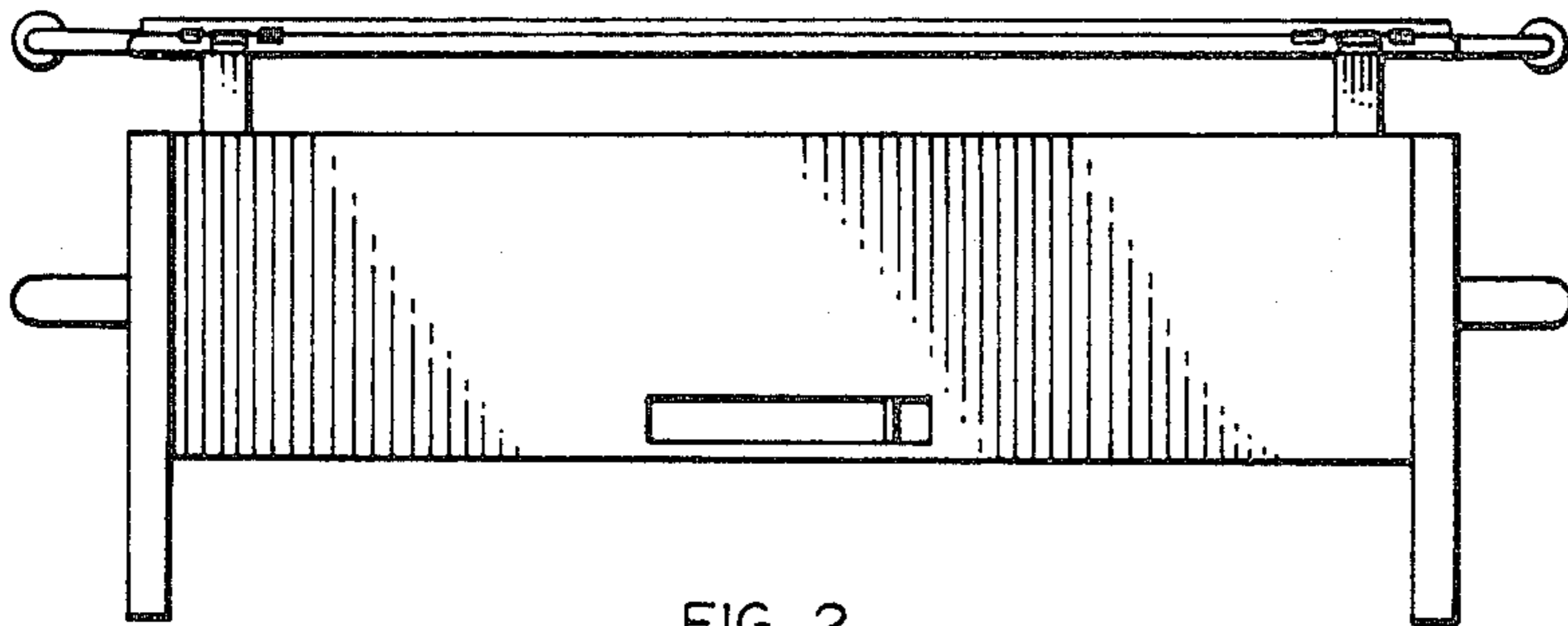


FIG. 2

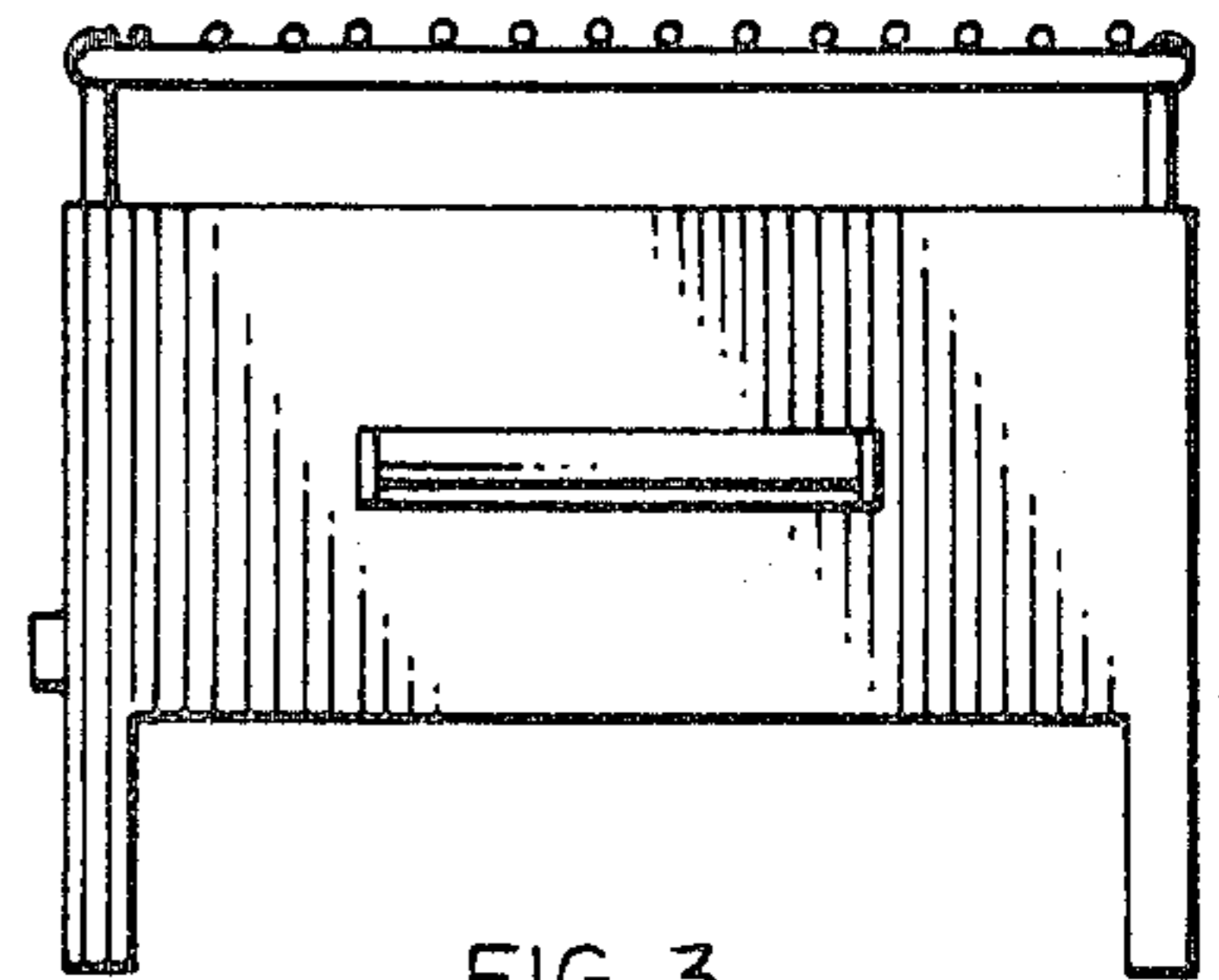


FIG. 3

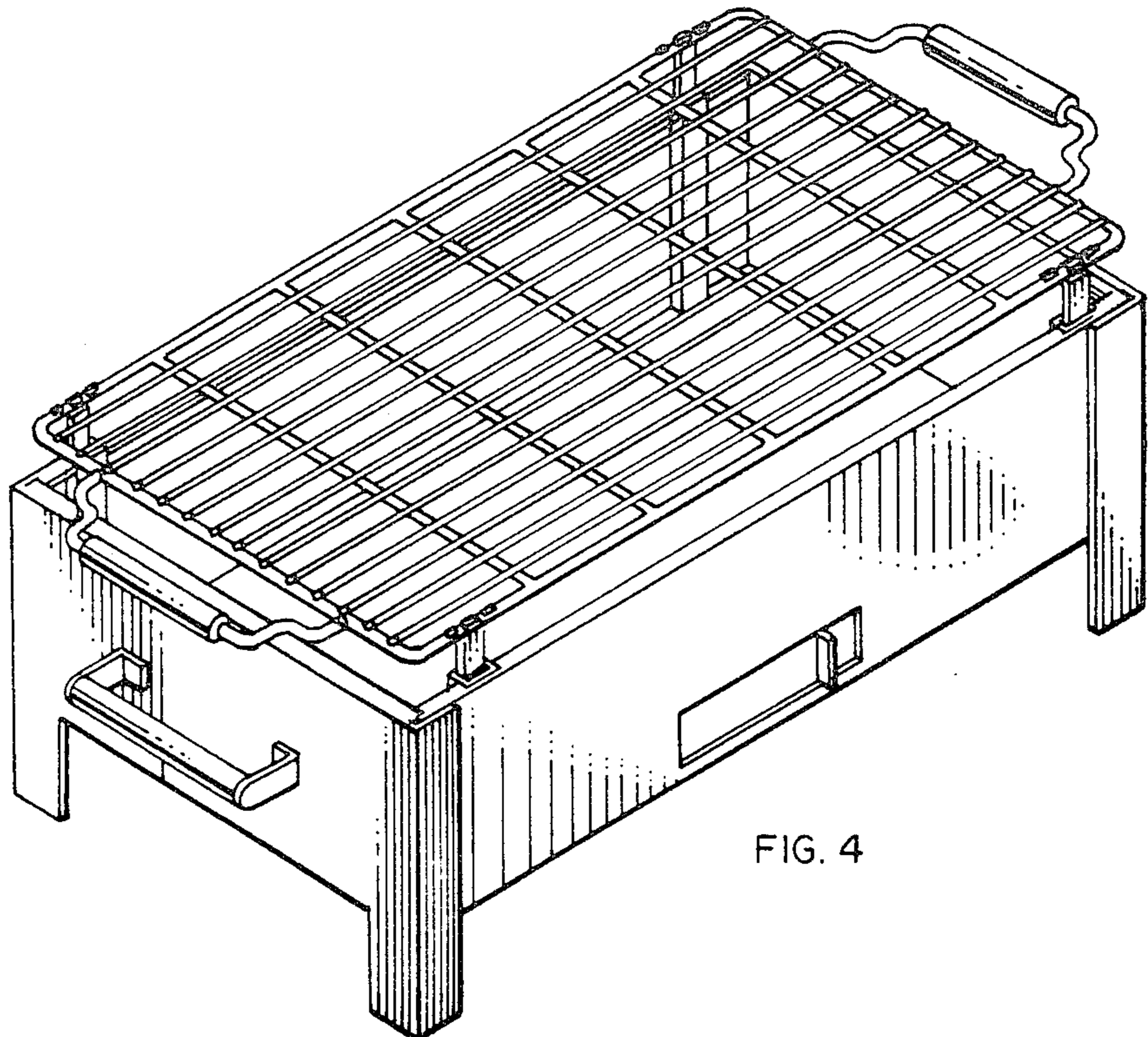


FIG. 4

