

United States Patent [19]

Thomas et al.

[11] Patent Number: **Des. 277,540**

[45] Date of Patent: **** Feb. 12, 1985**

[54] **BARBECUE GRILL OR THE LIKE**

[75] Inventors: **Robert J. Thomas; Craig R. Thomas,**
both of Cherokee, Iowa

[73] Assignee: **R. J. Thomas Manufacturing**
Company, Cherokee, Iowa

[**] Term: **14 Years**

[21] Appl. No.: **364,503**

[22] Filed: **Apr. 1, 1982**

[52] U.S. Cl. **D7/337**

[58] Field of Search **D7/332, 335, 337;**
126/25 R, 25 A, 25 AA, 25 B, 25 C, 29, 30, 9 R,
9 A, 9 B

[56] **References Cited**

U.S. PATENT DOCUMENTS

D. 215,630	10/1969	Koziol	D7/335
D. 254,118	2/1980	Shaneour	D7/337
3,119,387	1/1964	Beller	126/25 A
3,306,281	2/1967	Hoebel	D7/337

3,359,887	12/1967	Cleveland	126/25 A
3,404,672	10/1968	Arntz et al.	126/25 A
3,478,733	11/1969	Meyerhoefer	D7/337
3,583,385	6/1971	Beller	126/25 A

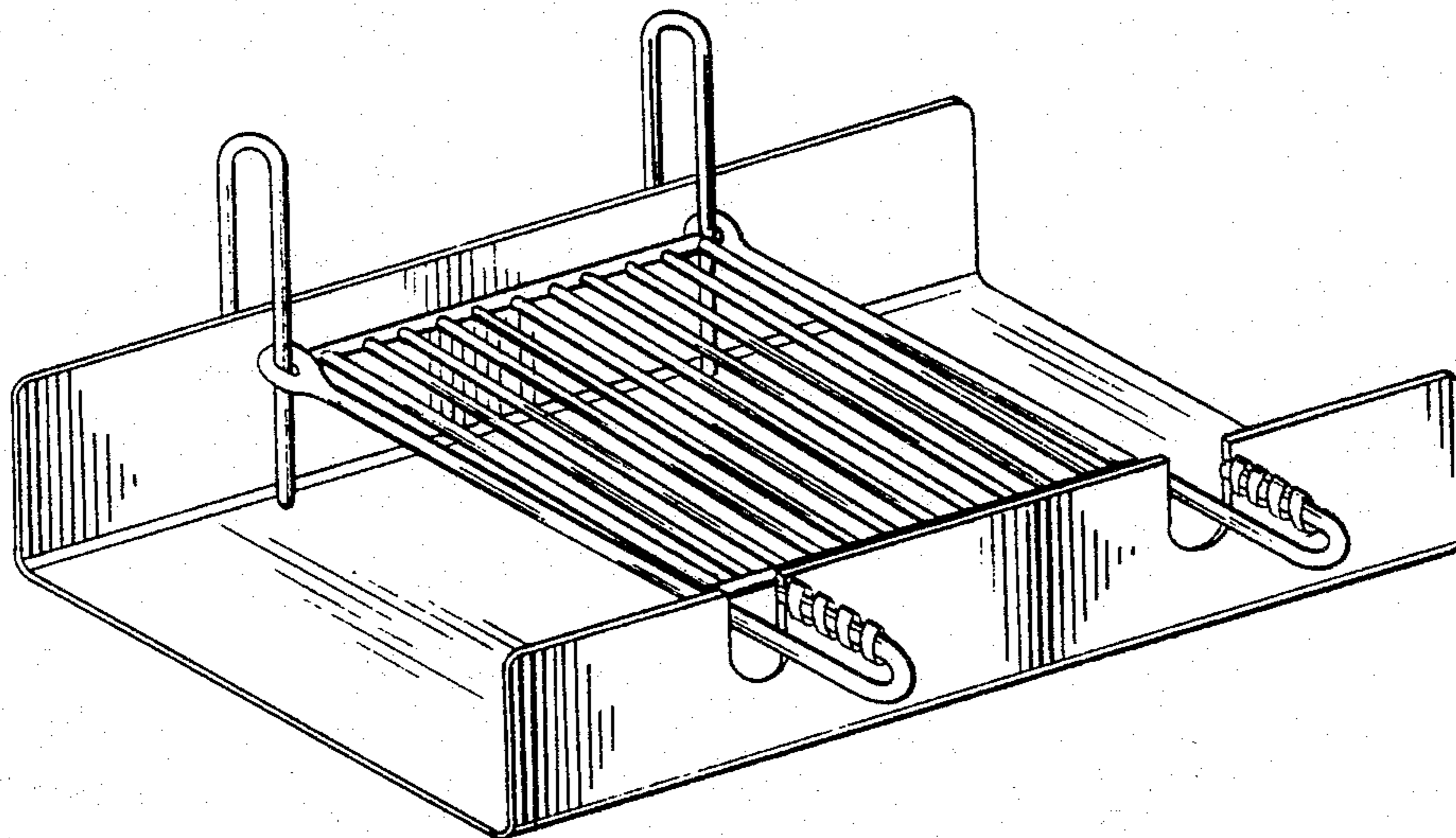
Primary Examiner—Wallace R. Burke
Assistant Examiner—Lynn Wilder
Attorney, Agent, or Firm—Zarley, McKee, Thomte,
Voorhees & Sease

[57] **CLAIM**

The ornamental design for a barbecue grill or the like,
substantially as described and shown.

DESCRIPTION

FIG. 1 is a perspective view of a barbecue grill or the
like showing our new design;
FIG. 2 is a top plan view thereof;
FIG. 3 is a front elevational view thereof;
FIG. 4 is a left side elevational view thereof, showing
the grill in a raised position, the other side being a mir-
ror image; and
FIG. 5 is a left side elevational view thereof, showing
the grill in a lowered position.



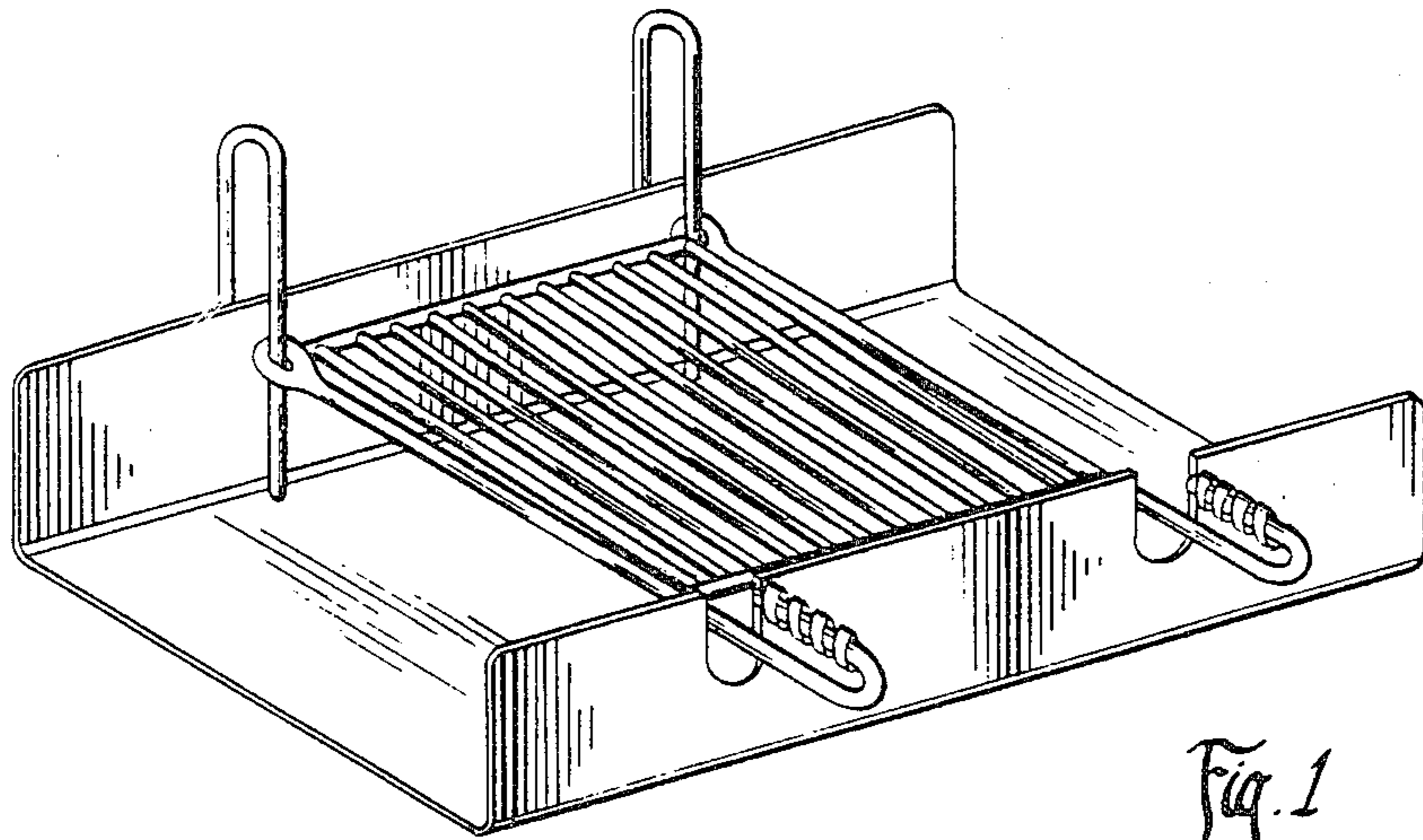


Fig. 1

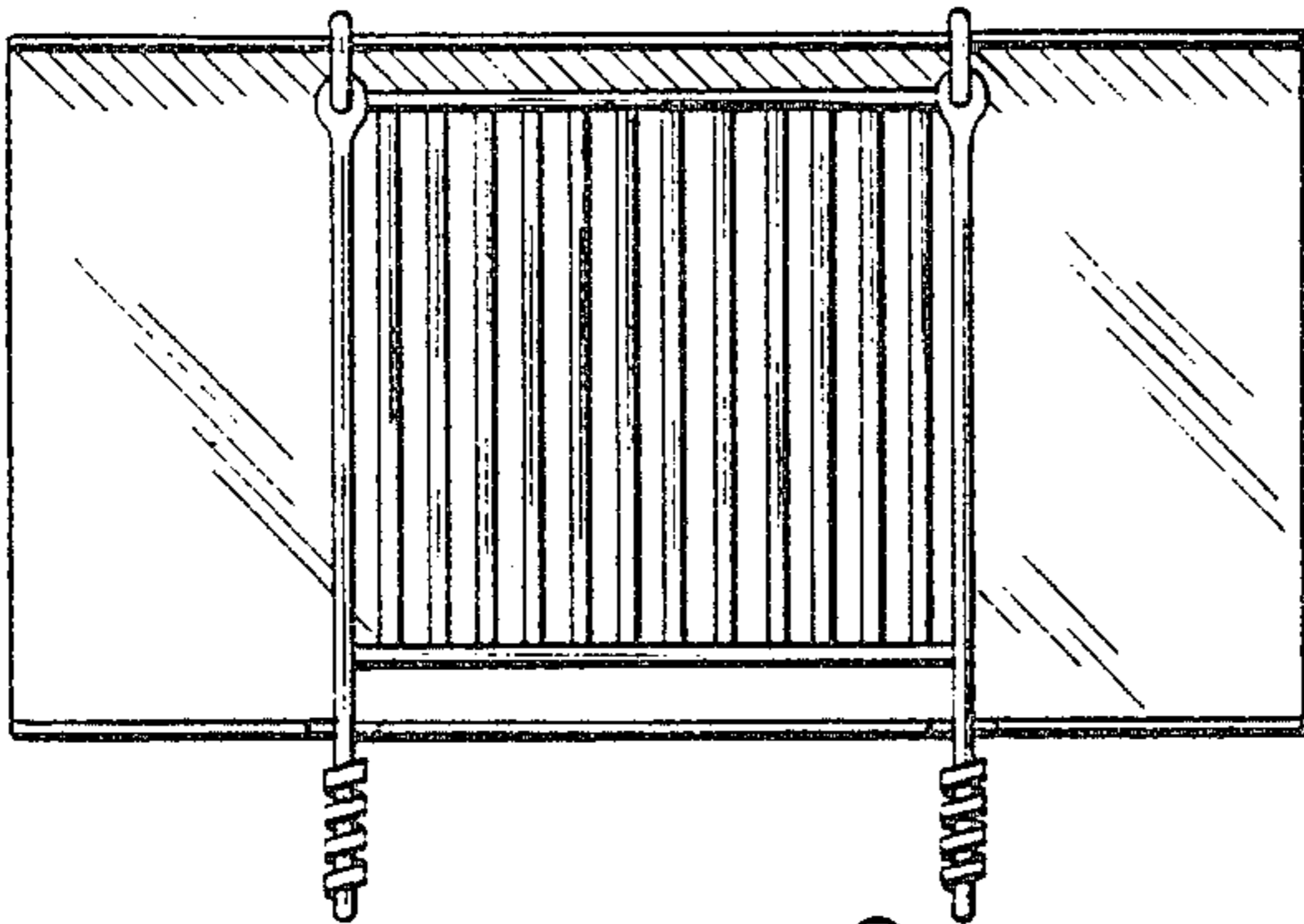


Fig. 2

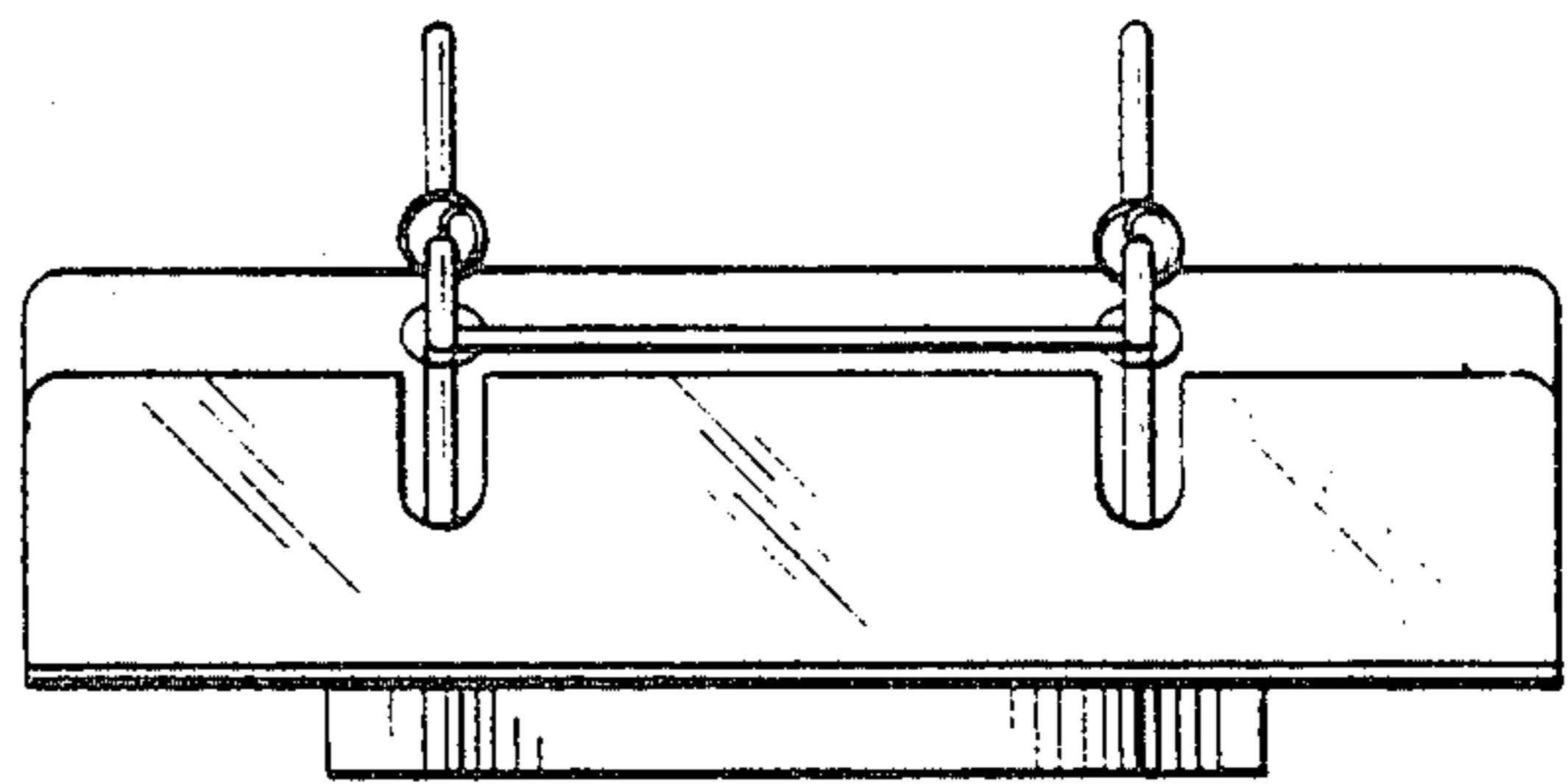


Fig. 3

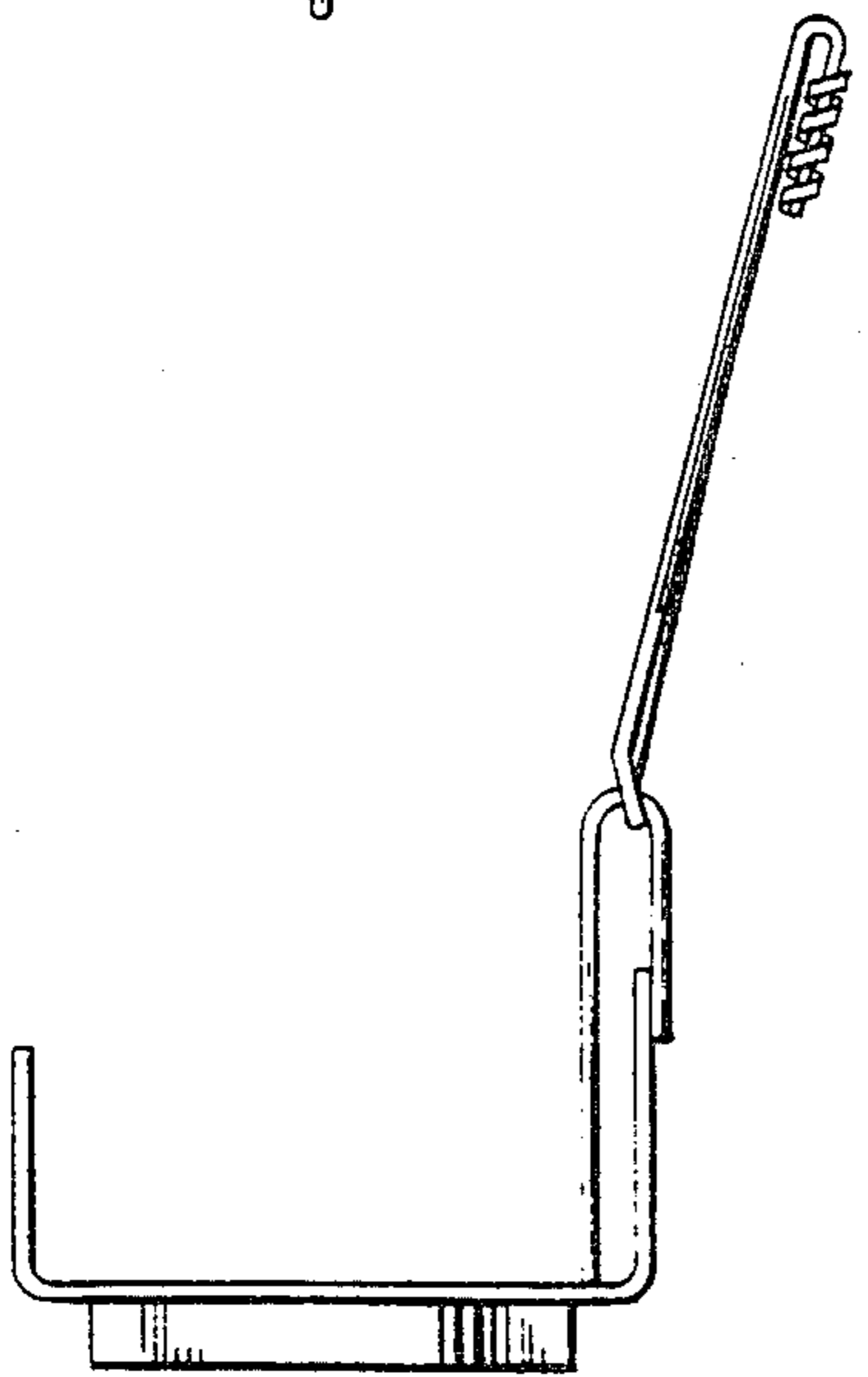


Fig. 4

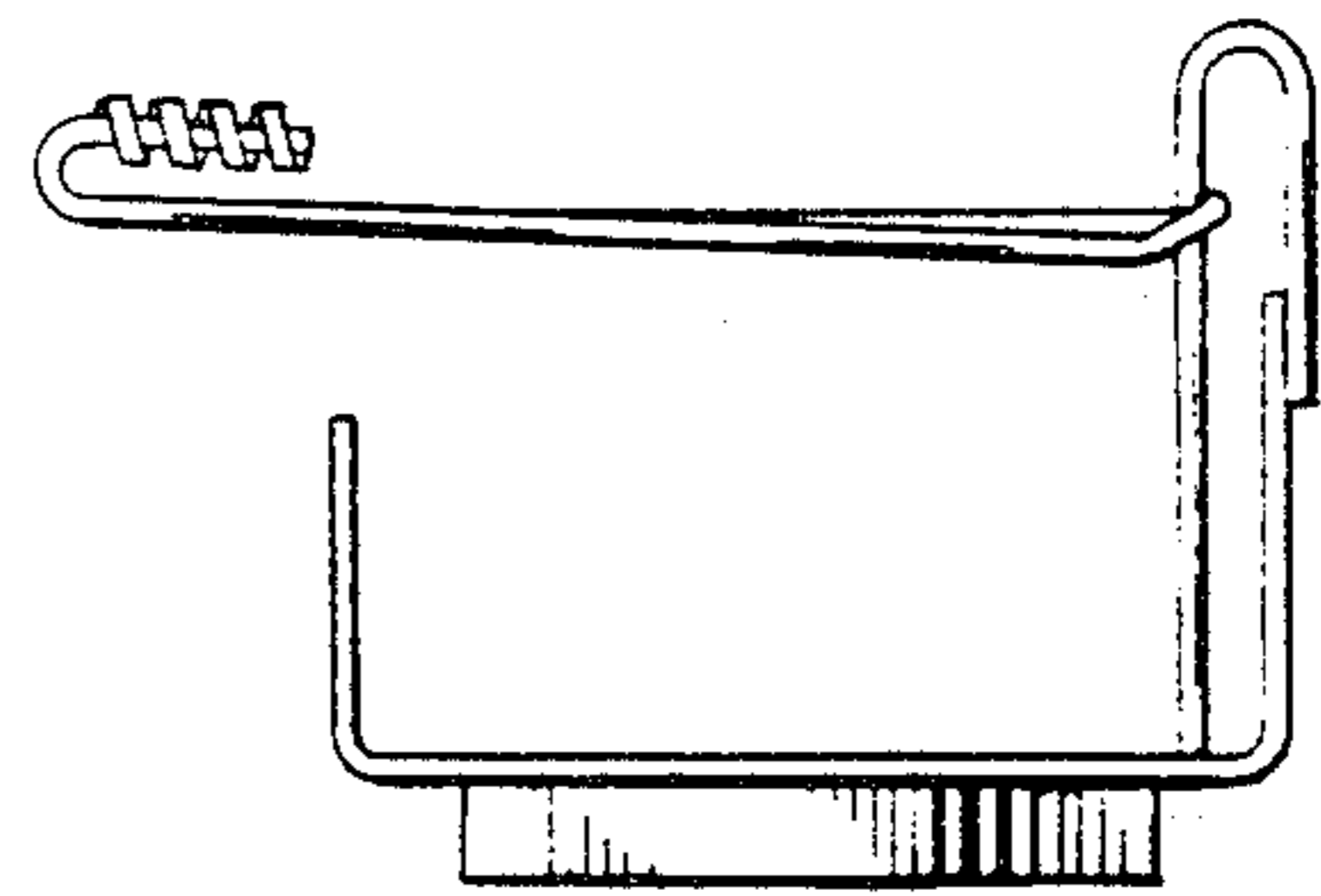


Fig. 5