

- [54] COFFEE MAKER
- [75] Inventor: Alister Jack, Grijskerk, Netherlands
- [73] Assignee: U.S. Philips Corporation, New York, N.Y.
- [\*\*] Term: 14 Years
- [21] Appl. No.: 378,561
- [22] Filed: May 17, 1982
- [30] Foreign Application Priority Data  
Nov. 25, 1981 [XB] Benelux ..... 56322-00
- [52] U.S. Cl. .... D7/309
- [58] Field of Search ..... D7/300, 305, 306, 307, D7/308, 309, 311, 312, 313, 397, 399

- [56] References Cited  
U.S. PATENT DOCUMENTS  
D. 238,115 12/1975 Marotta ..... D7/309  
D. 242,380 11/1976 Struna et al. .... D7/76

- D. 243,308 2/1977 Harms et al. .... D7/309
- D. 270,699 9/1983 Rakocy et al. .... D7/309
- 3,968,740 7/1976 Brown ..... D7/309 X

OTHER PUBLICATIONS

*HFD-Retailing Home Furnishings*, Jun. 30, 1980, section one, p. 54, Espresso Maker-Rowoco, top right.

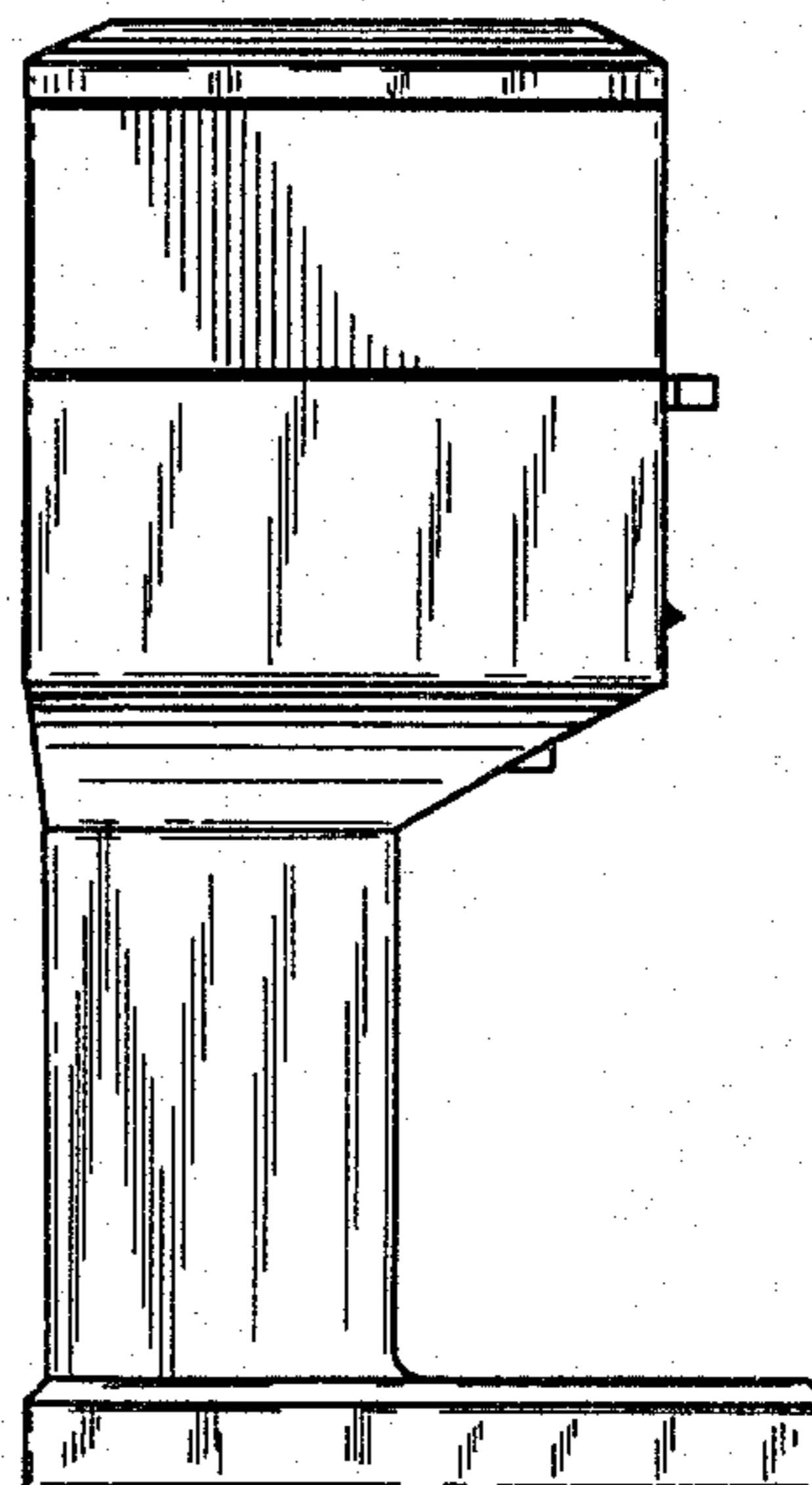
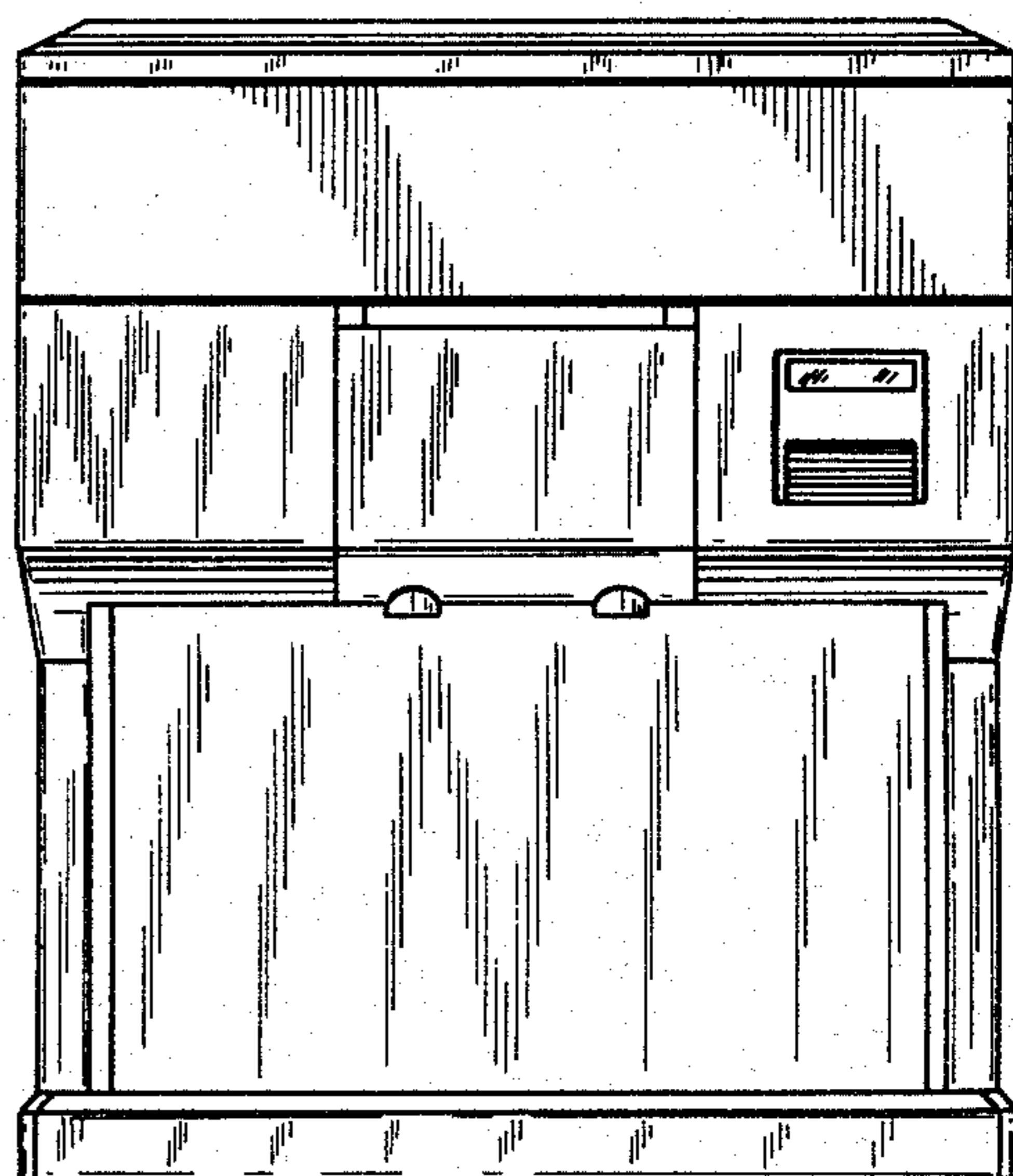
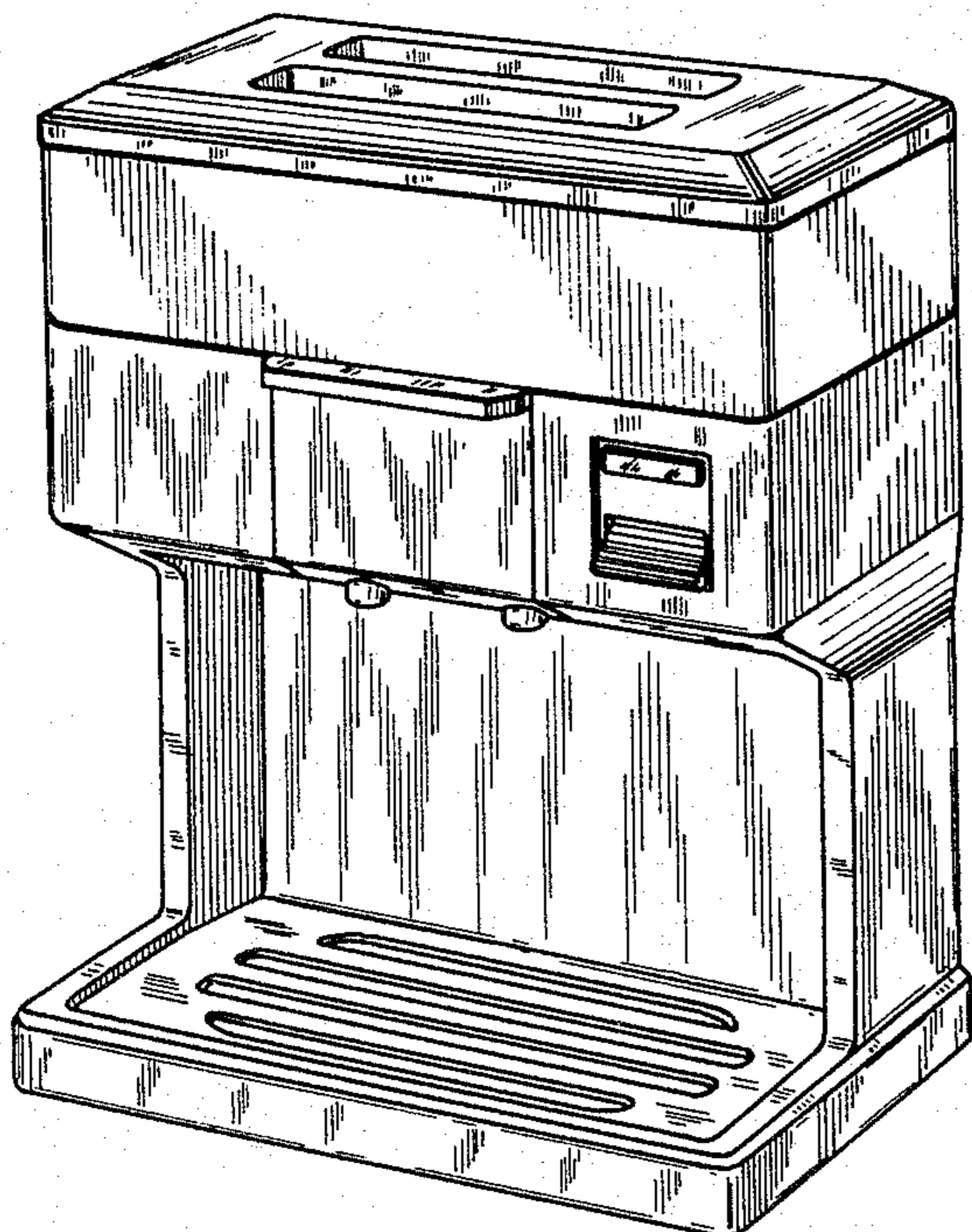
Primary Examiner—Winifred E. Herrmann  
Attorney, Agent, or Firm—Rolf E. Schneider

[57] CLAIM

The ornamental design for a coffee maker, as shown.

DESCRIPTION

FIG. 1 is a front, top and right side perspective view of a coffee maker, showing my new design; FIG. 2 is a front elevational view thereof; FIG. 3 is a rear elevational view thereof; FIG. 4 is a left side elevational view thereof; FIG. 5 is a right side elevational view thereof; FIG. 6 is a top plan view thereof; and FIG. 7 is a bottom plan view thereof.



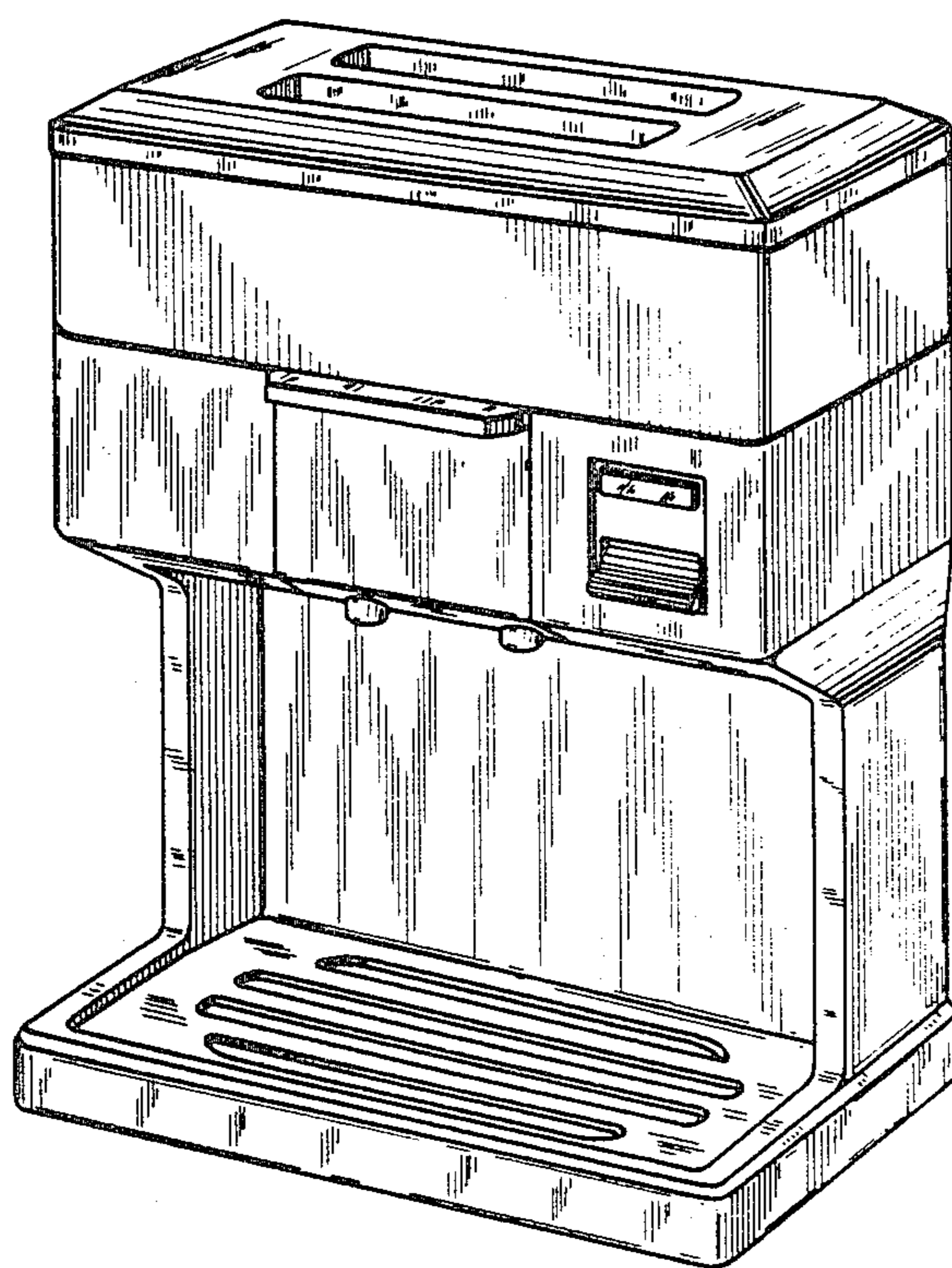


FIG. 1

FIG. 2

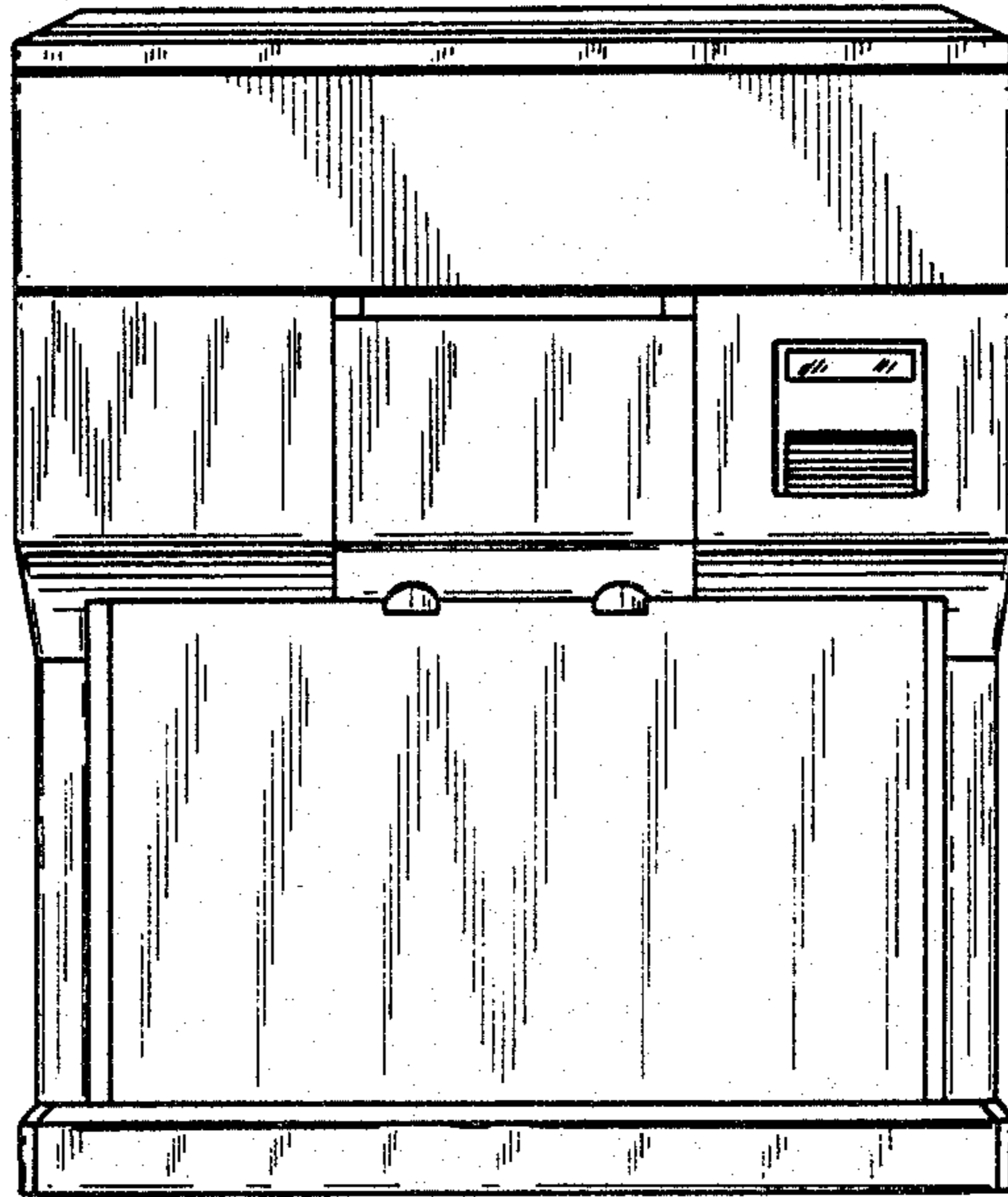


FIG. 3

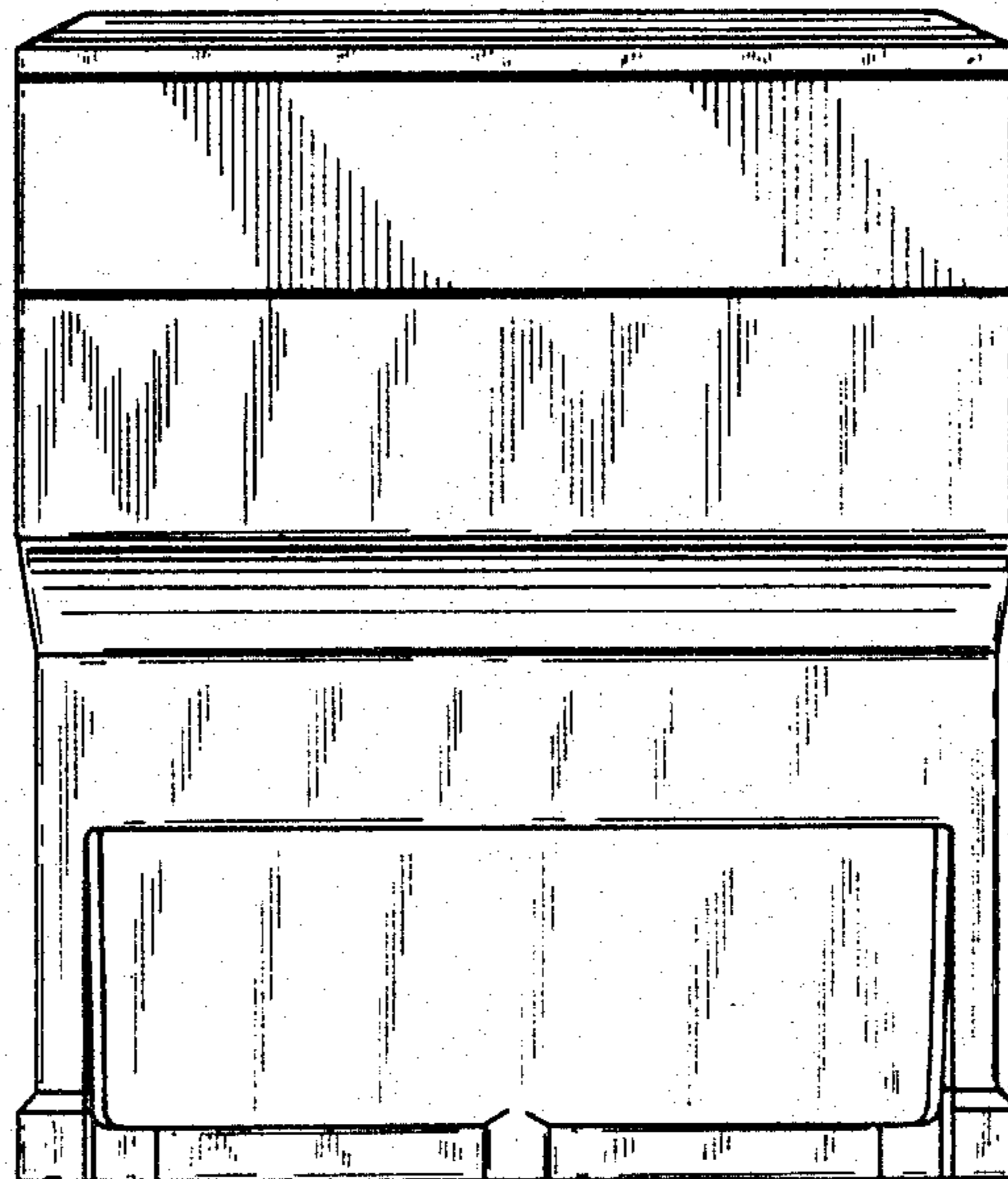




FIG. 4

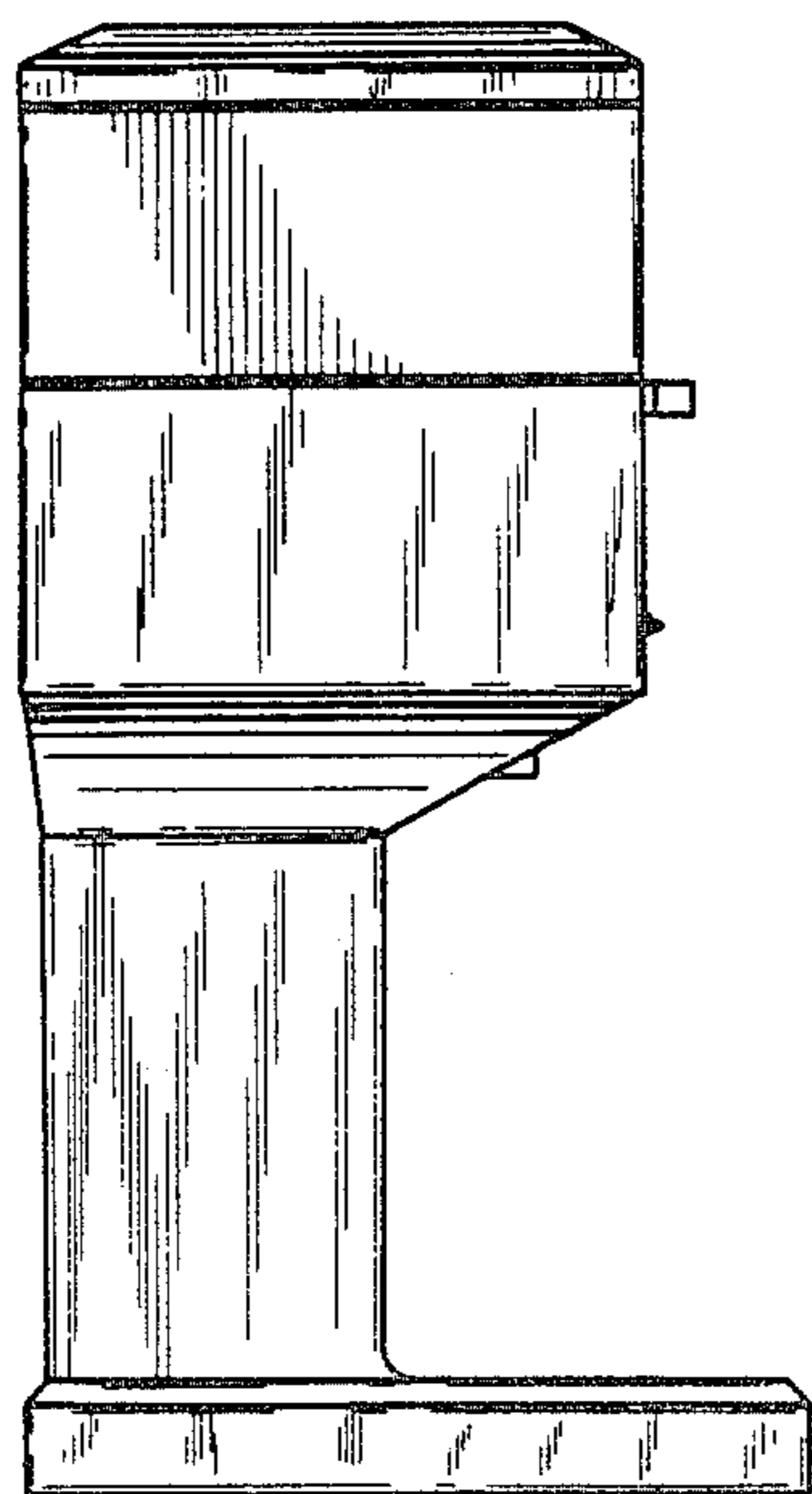


FIG. 5

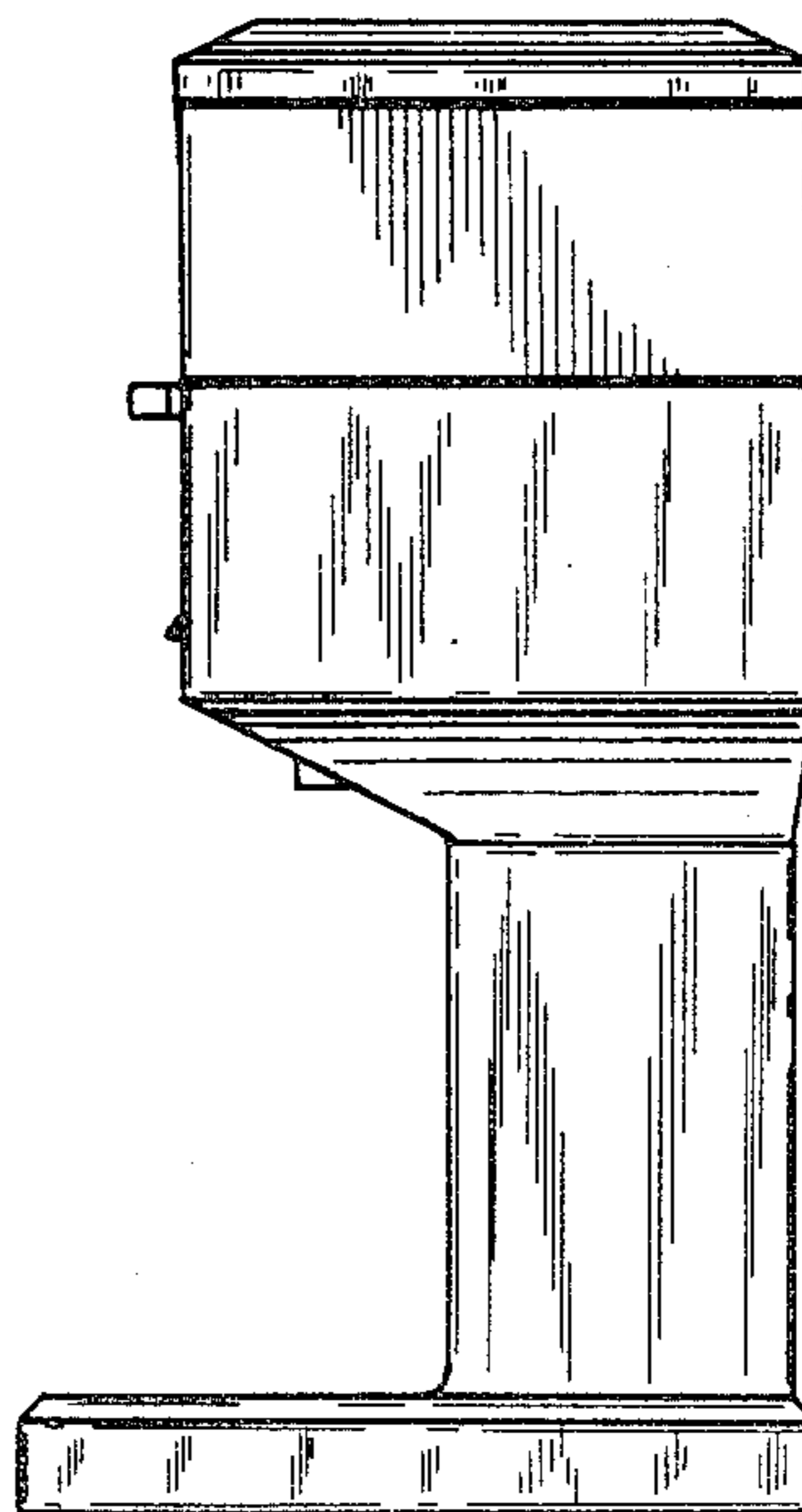


FIG. 6

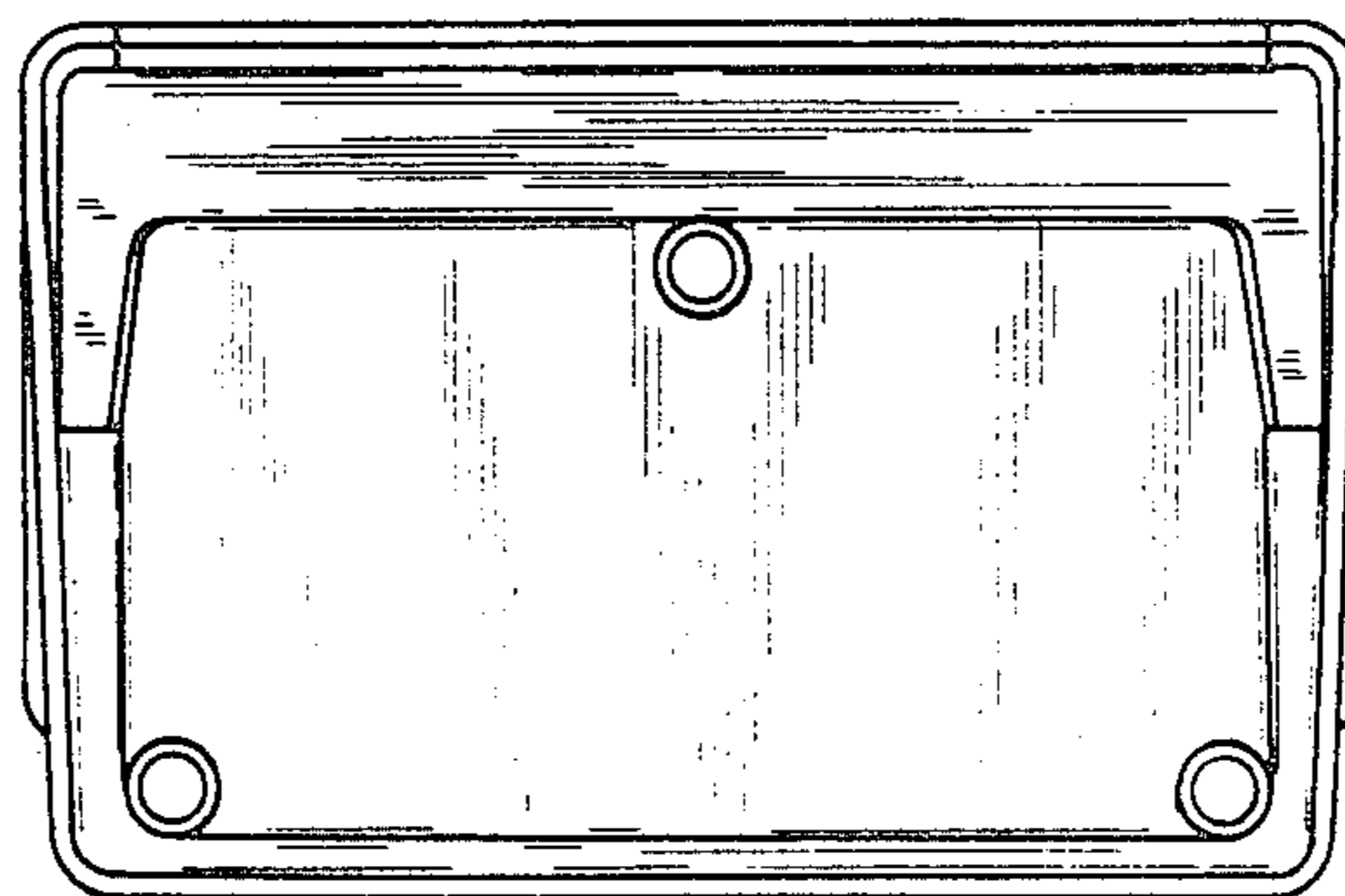
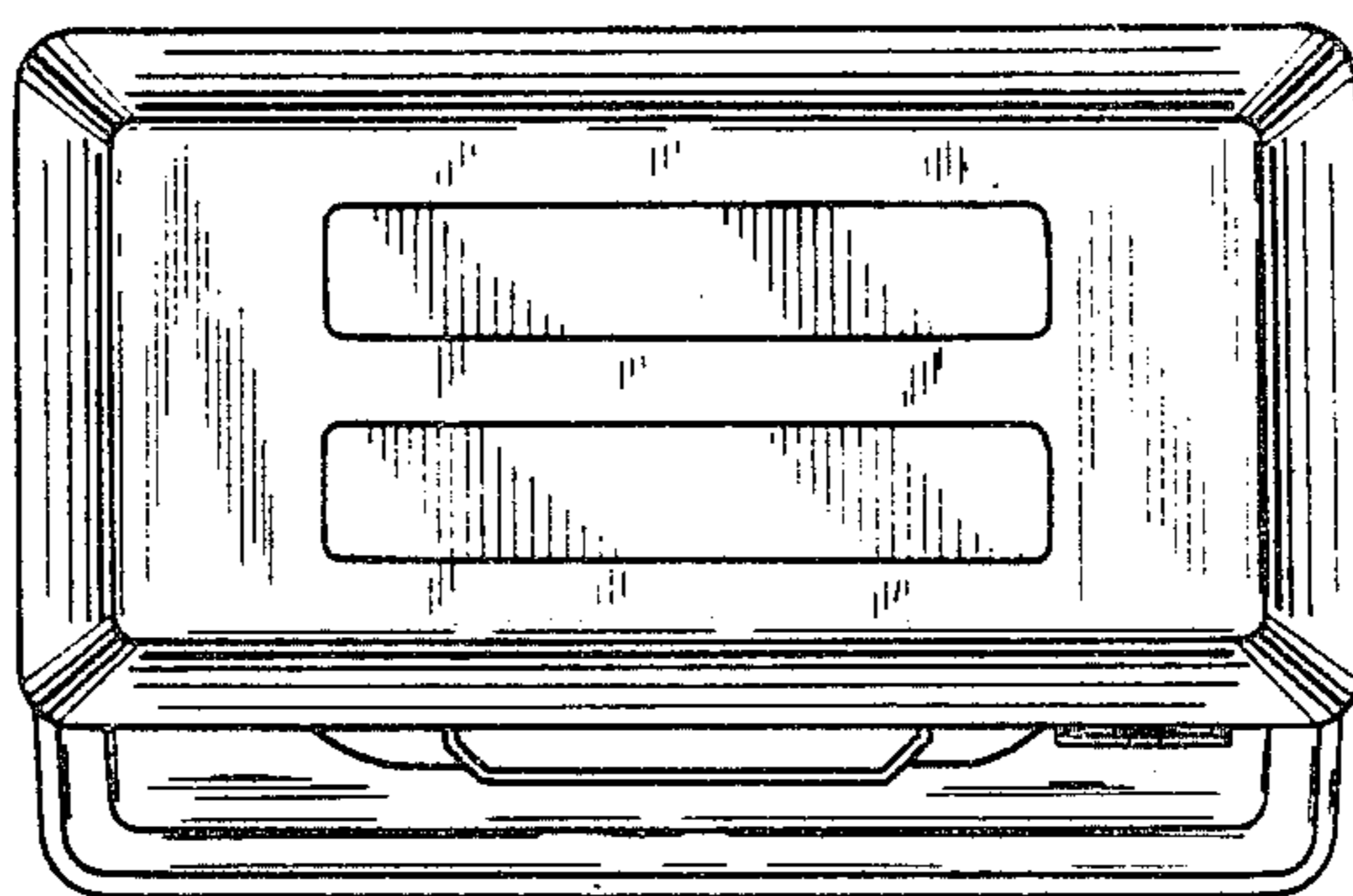


FIG. 7