

[54] PUMP DISPENSER FOR A BEVERAGE OR THE LIKE

[75] Inventors: Milton J. Merl, New York, N.Y.; Maurice Assouline, Shelton, Conn.

[73] Assignee: Marlboro Marketing Incorporated, New York, N.Y.

[**] Term: 14 Years

[21] Appl. No.: 390,589

[22] Filed: Jun. 21, 1982

[52] U.S. Cl. D7/301; D7/51; D7/398; D23/14

[58] Field of Search D7/51, 300, 301, 306, D7/313, 320; D23/14, 13, 15

[56] References Cited

U.S. PATENT DOCUMENTS

- D. 1,733 3/1863 Rosenthal D23/14
- D. 33,334 10/1900 Schlafly D23/14

- D. 118,981 2/1940 Loeber D23/14
- D. 130,244 11/1941 Gerhardt D23/14
- D. 155,739 10/1949 Shafer et al. D23/14
- D. 252,338 7/1979 Skinner D23/23
- 4,413,778 11/1983 Middlemiss D7/301 X

Primary Examiner—Winifred E. Herrmann
Attorney, Agent, or Firm—Wolder, Gross & Yavner

[57] CLAIM

The ornamental design for a pump dispenser for a beverage or the like, as shown and described.

DESCRIPTION

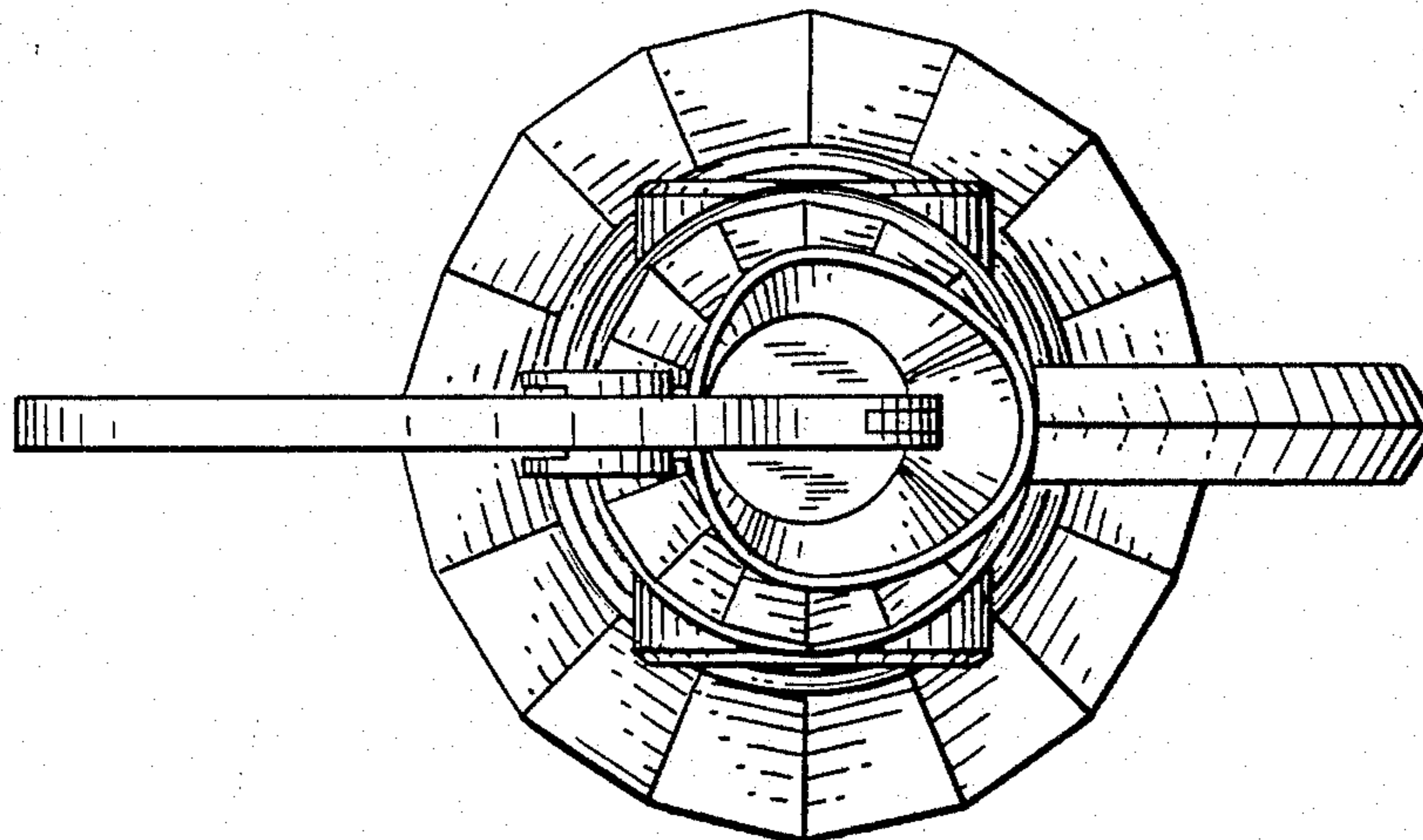
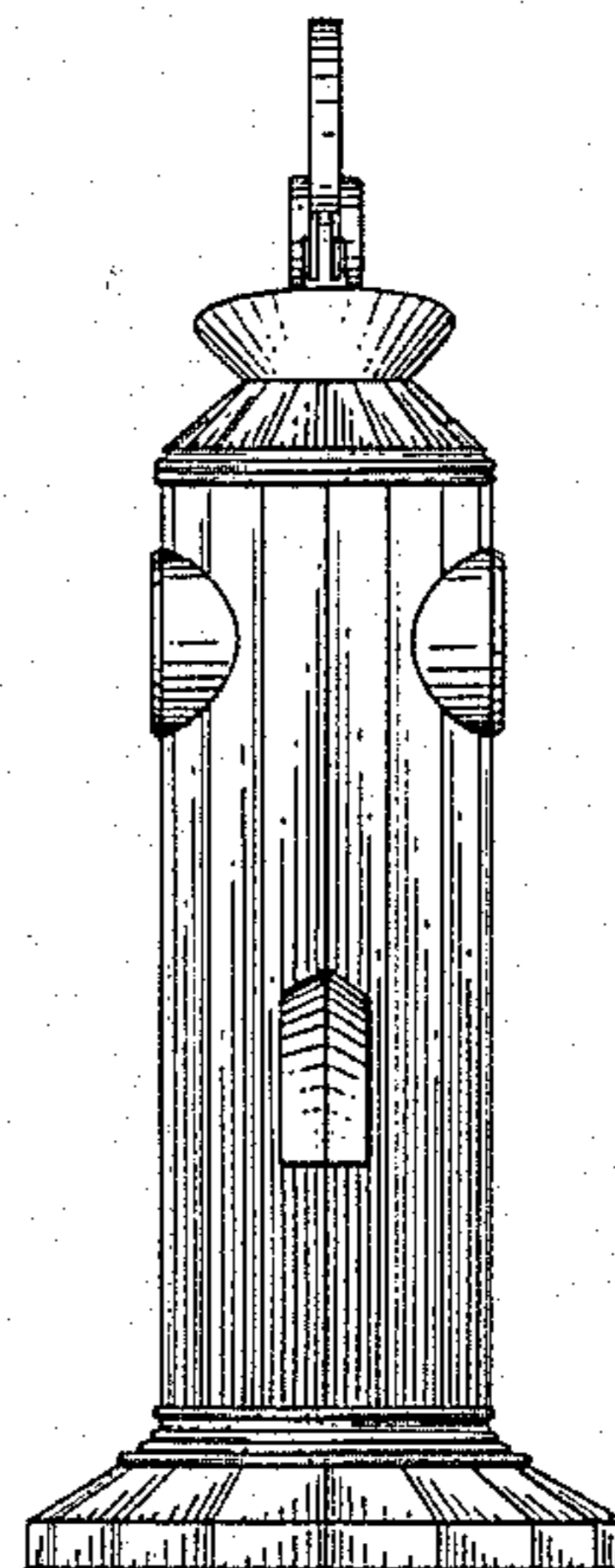
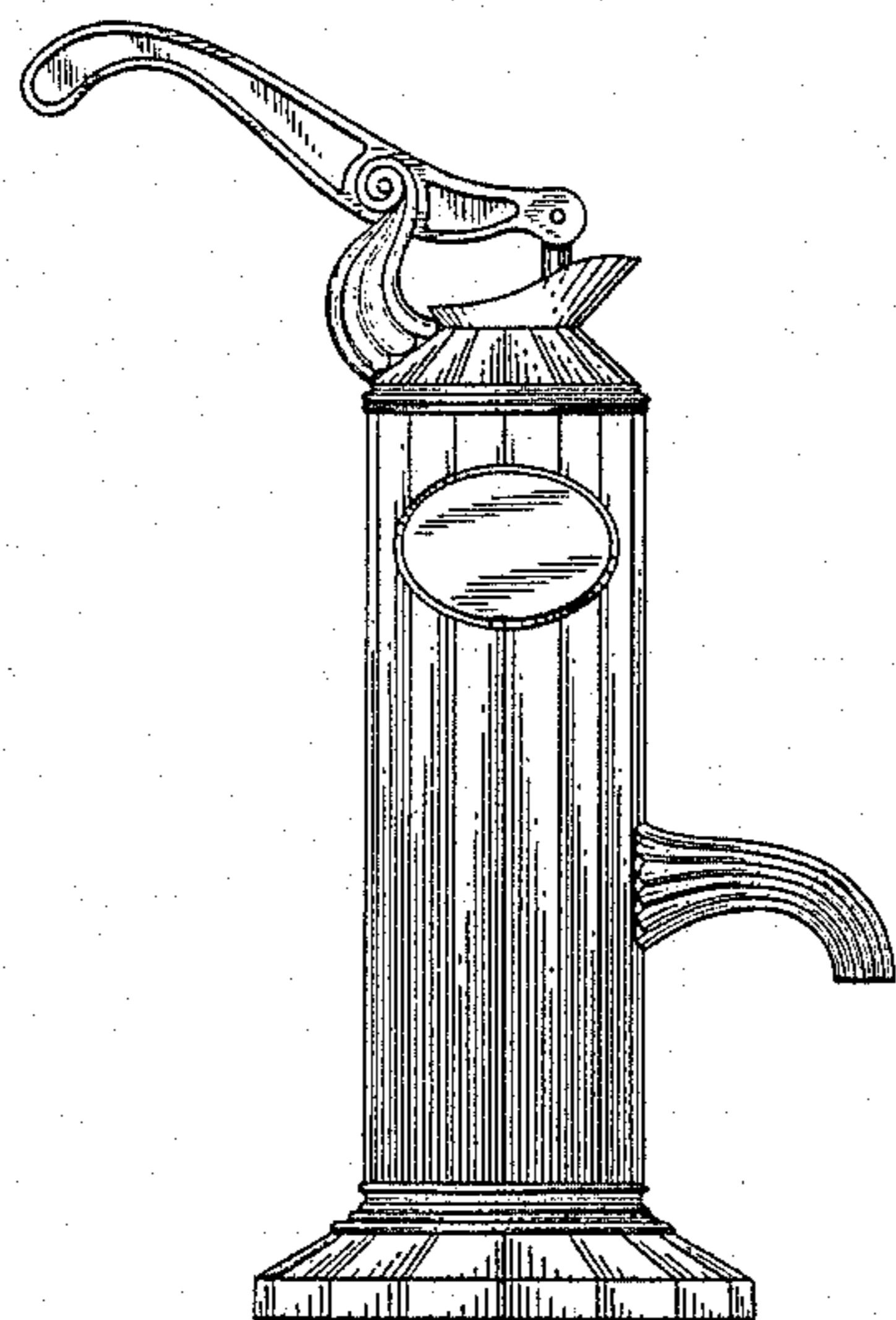
FIG. 1 is a left side elevational view of a pump dispenser for a beverage or the like embodying our new design the right side elevational view is a mirror image thereof;

FIG. 2 is a front elevational view thereof;

FIG. 3 is a rear elevational view thereof;

FIG. 4 is a top plan view thereof;

FIG. 5 is a bottom plan view thereof.



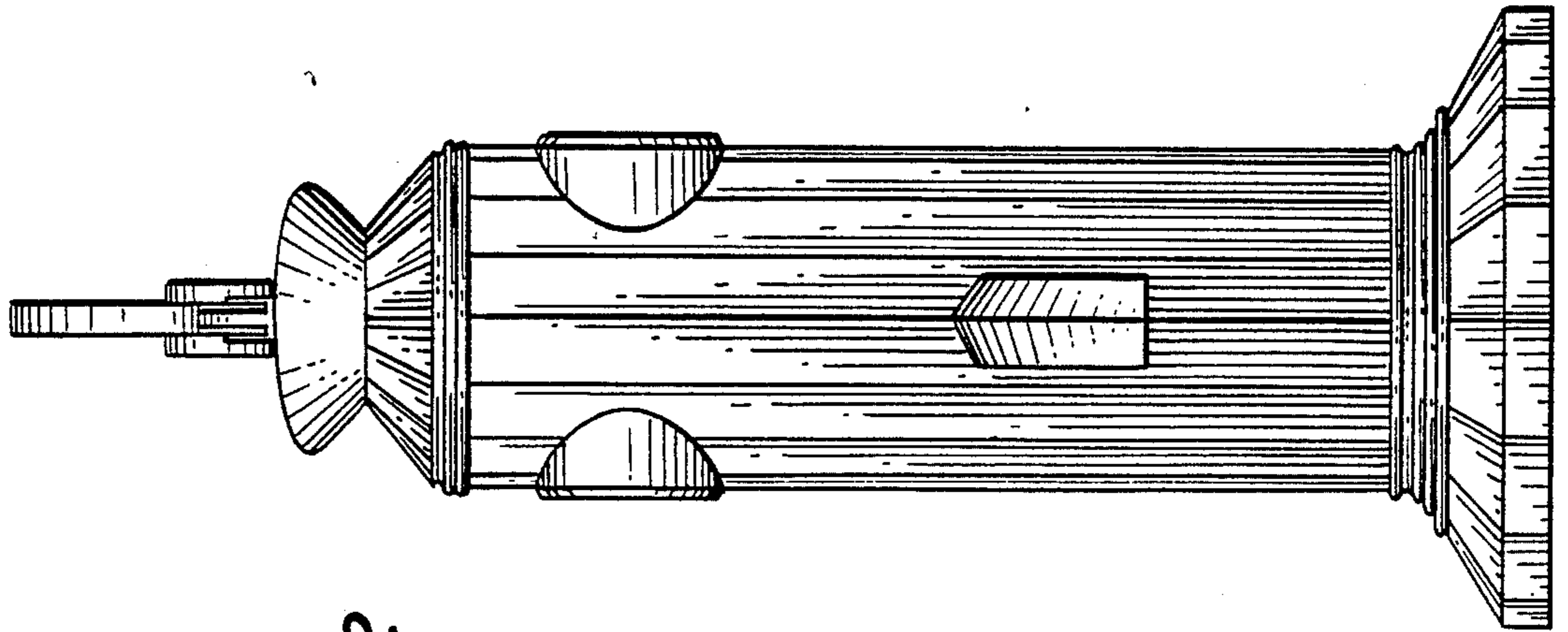


FIG. 2

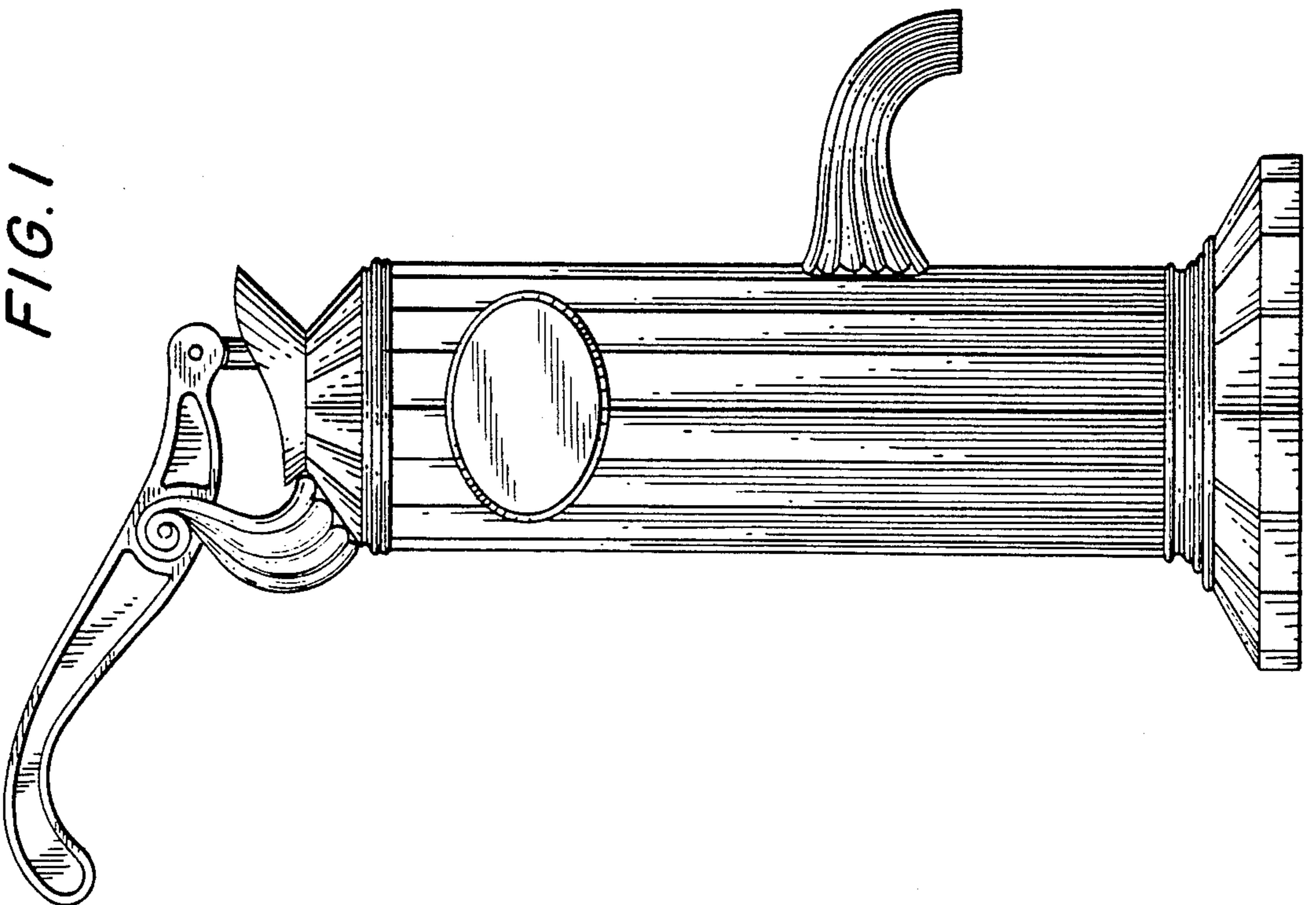


FIG. 1

FIG. 3

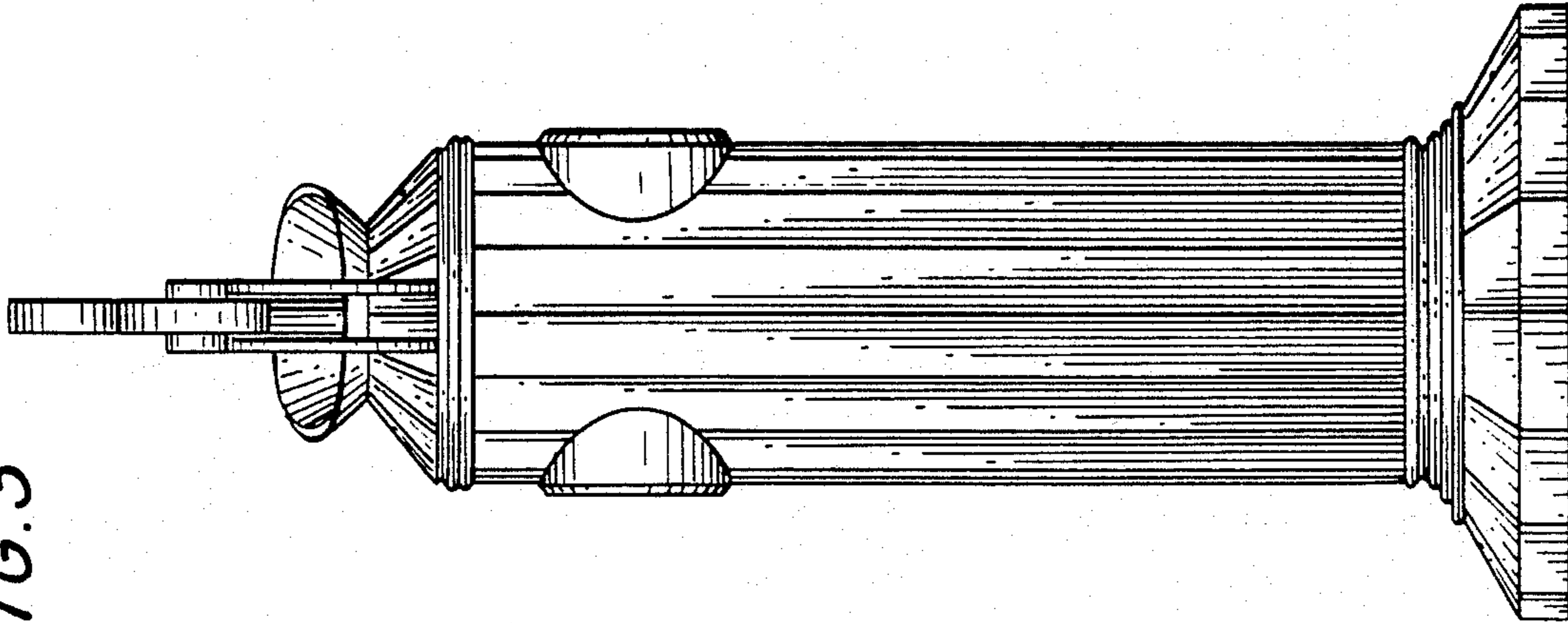


FIG. 4

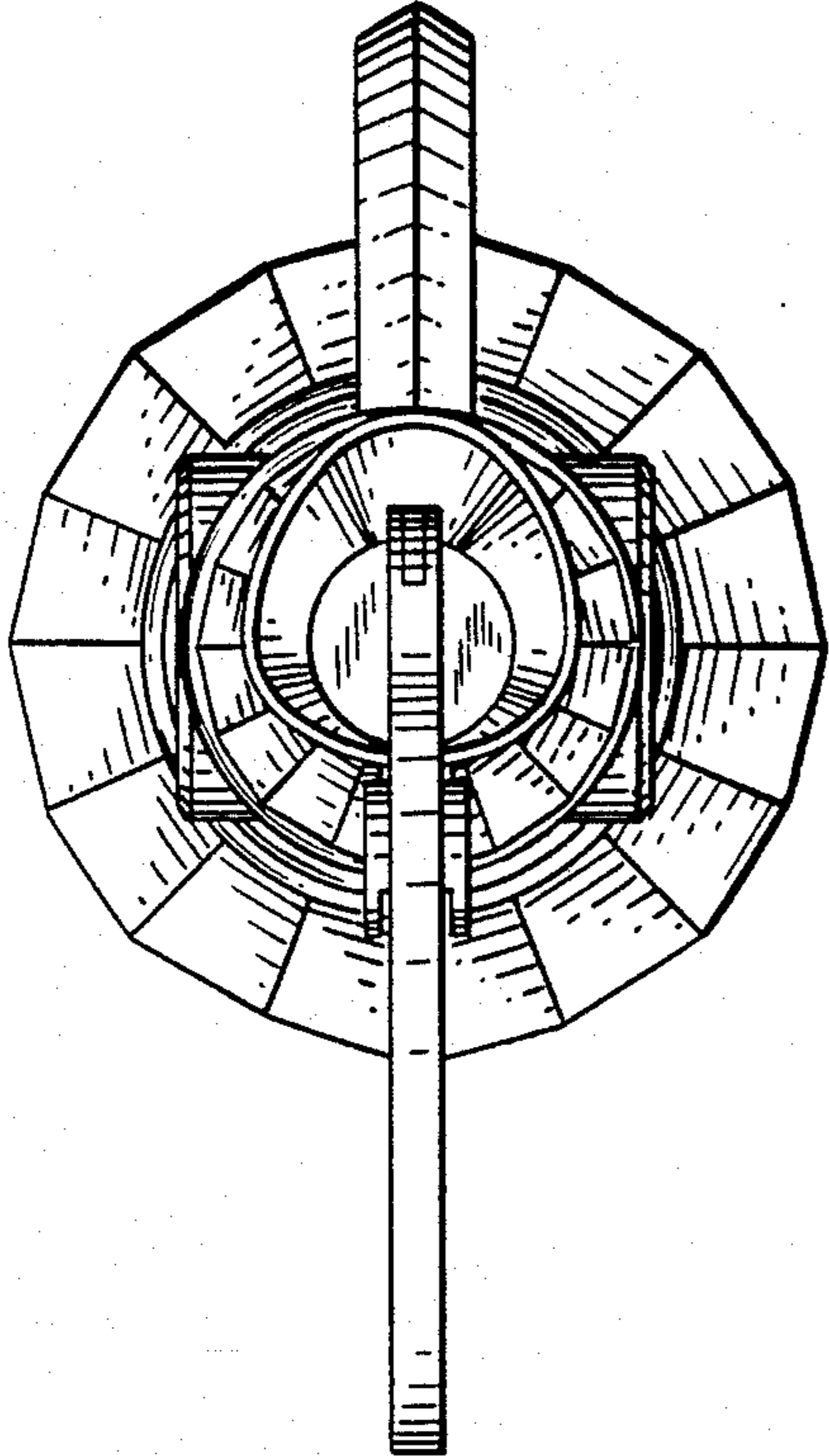


FIG. 5

