

# United States Patent [19]

Silberman

[11] Patent Number: **Des. 277,519**

[45] Date of Patent: **\*\* Feb. 12, 1985**

[54] **WEIGHTLIFTER'S VEST**

[75] Inventor: **Ira J. Silberman, Opelika, Ala.**

[73] Assignee: **Diversified Products Corporation, Opelika, Ala.**

[\*\*] Term: **14 Years**

[21] Appl. No.: **428,366**

[22] Filed: **Sep. 29, 1982**

[52] U.S. Cl. .... **D2/27; 2/2**

[58] Field of Search ..... **D2/27; 2/2, 2.5, 44, 2/45**

1,970,130	8/1934	Dickenson	2/2
2,550,044	4/1951	Delsalle	D2/27 X
2,986,738	6/1961	Zubiate	2/2
3,047,875	8/1962	Patterson	2/2
3,855,631	12/1974	Ettinger	2/2
4,213,605	7/1980	McPeak	272/119

*Primary Examiner*—Bernard Ansher  
*Assistant Examiner*—Terry Pfeffer  
*Attorney, Agent, or Firm*—Banner, Birch, McKie & Beckett

## [57] CLAIM

The ornamental design for a weightlifter's vest, substantially as shown and described.

## DESCRIPTION

FIG. 1 is a front elevational view of a weightlifter's vest showing my new design;  
FIG. 2 is a side view thereof, the opposite side being the mirror image of that shown;  
FIG. 3 is a rear elevational view thereof;  
FIG. 4 is a top plan view thereof; and  
FIG. 5 is a bottom plan view thereof.

## [56] References Cited

### U.S. PATENT DOCUMENTS

137,275	3/1873	Wilder	2/92
D. 230,663	3/1974	Fowler	D2/27
817,656	4/1906	McCalla	2/2
1,640,042	8/1927	Latina	2/2
1,757,019	5/1930	Mott	D2/27 X
1,764,667	6/1930	Whitley	2/2

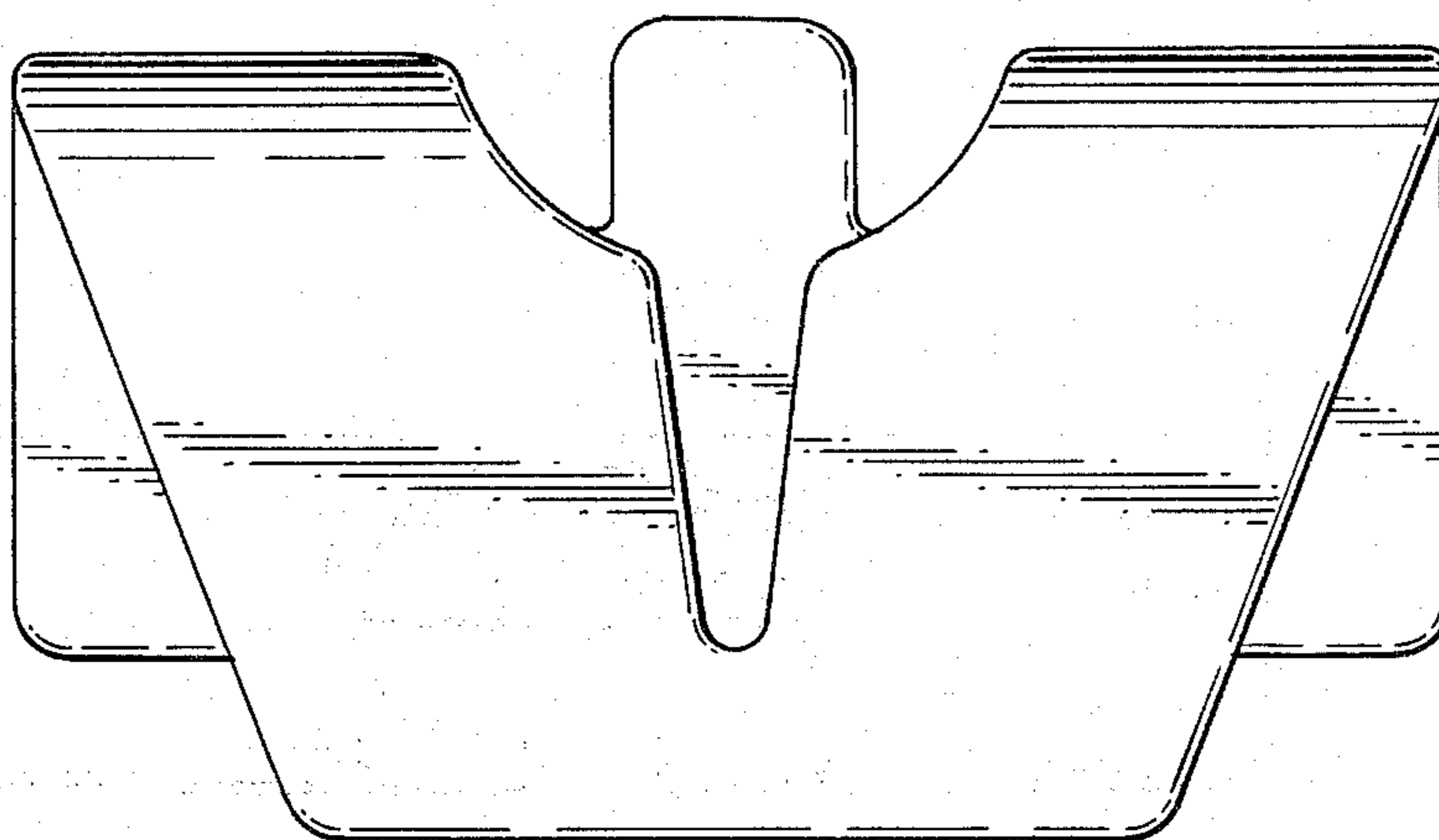


FIG. 1.

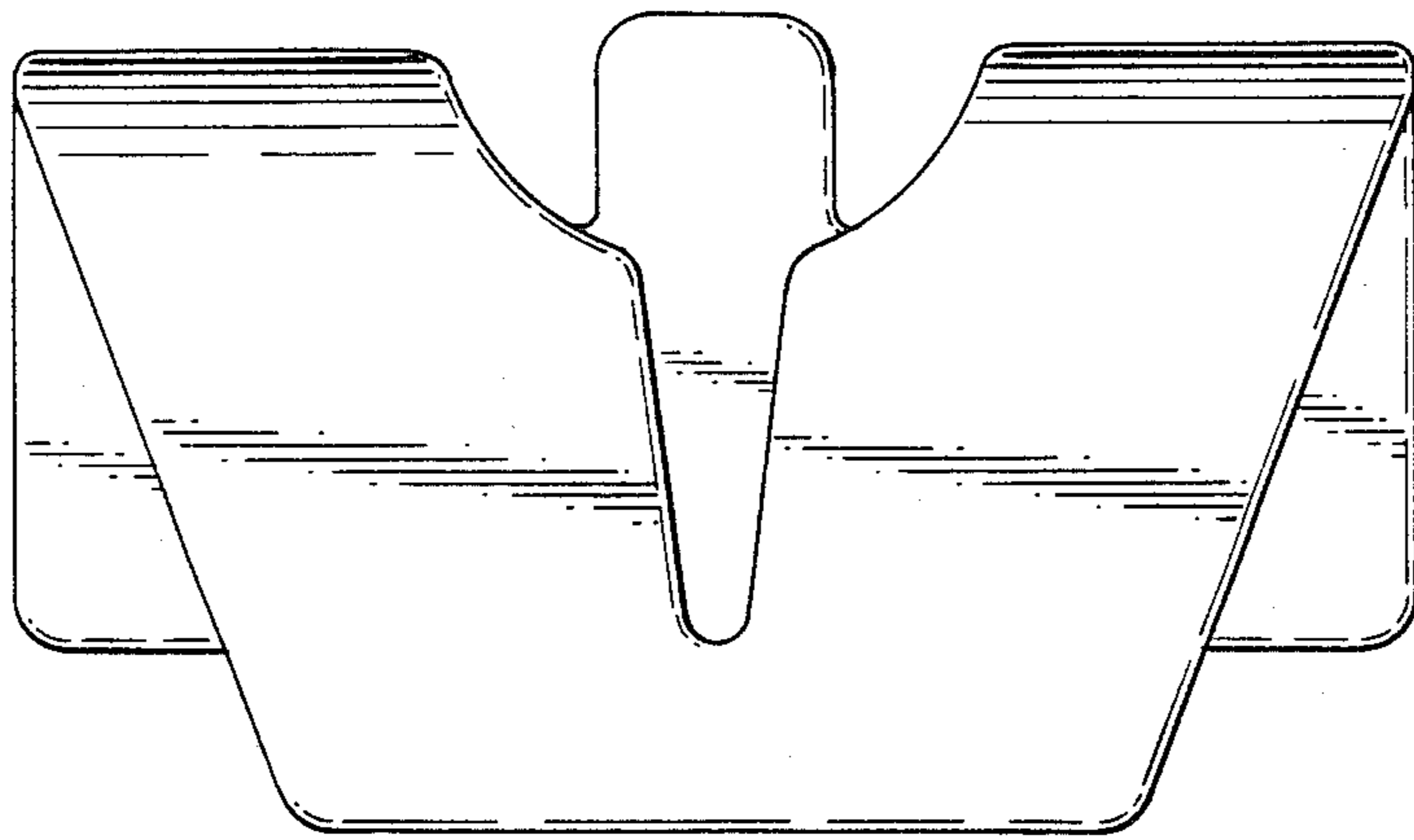


FIG. 2.

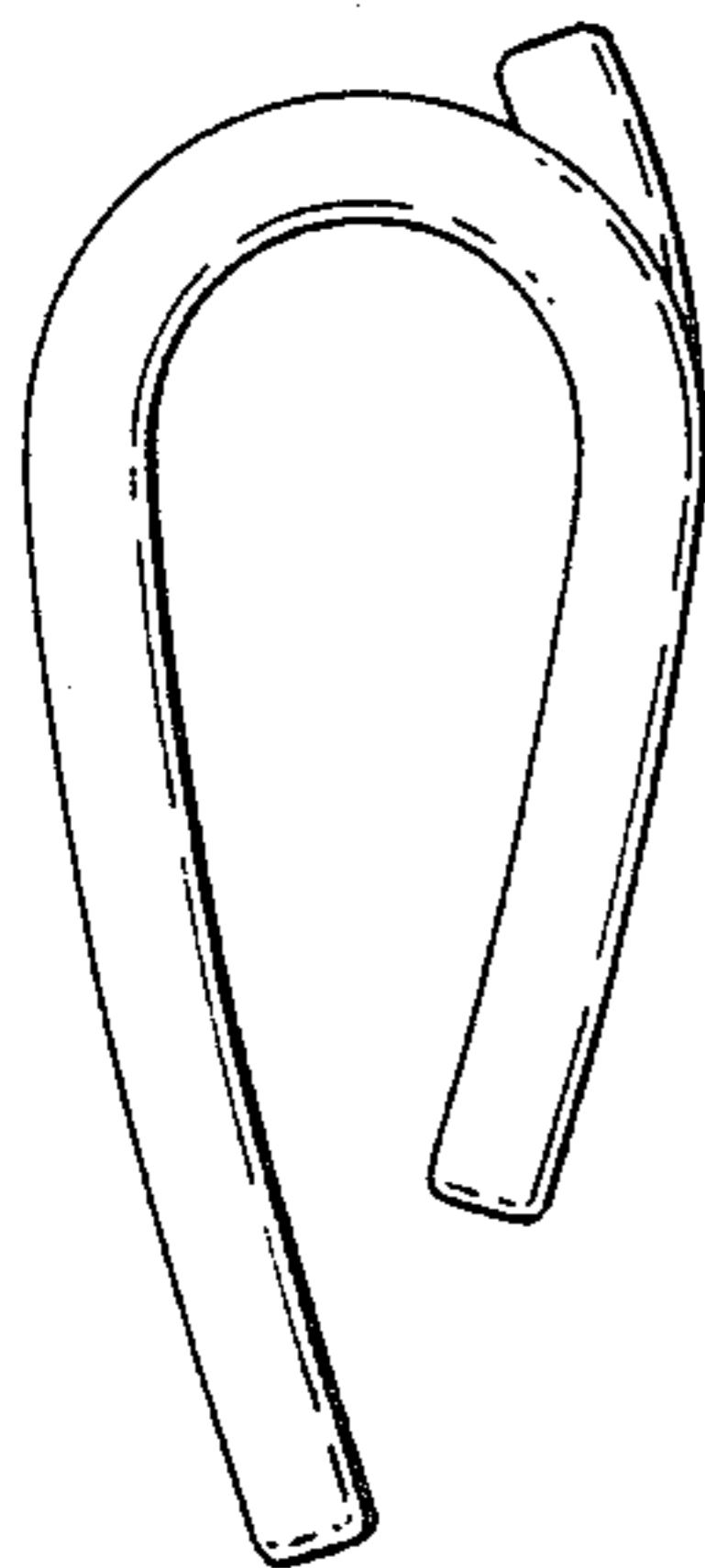


FIG. 3.

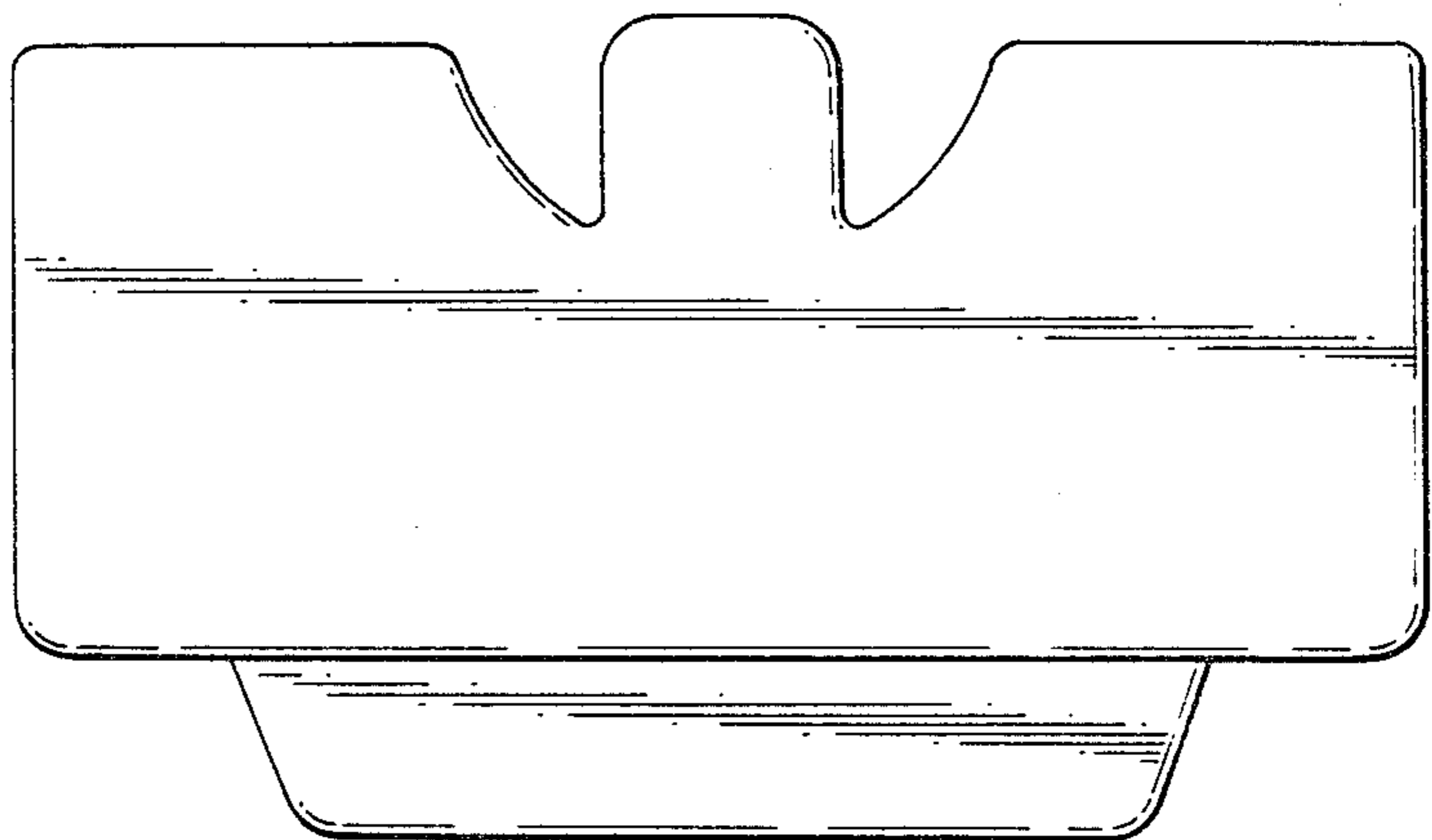


FIG. 4.

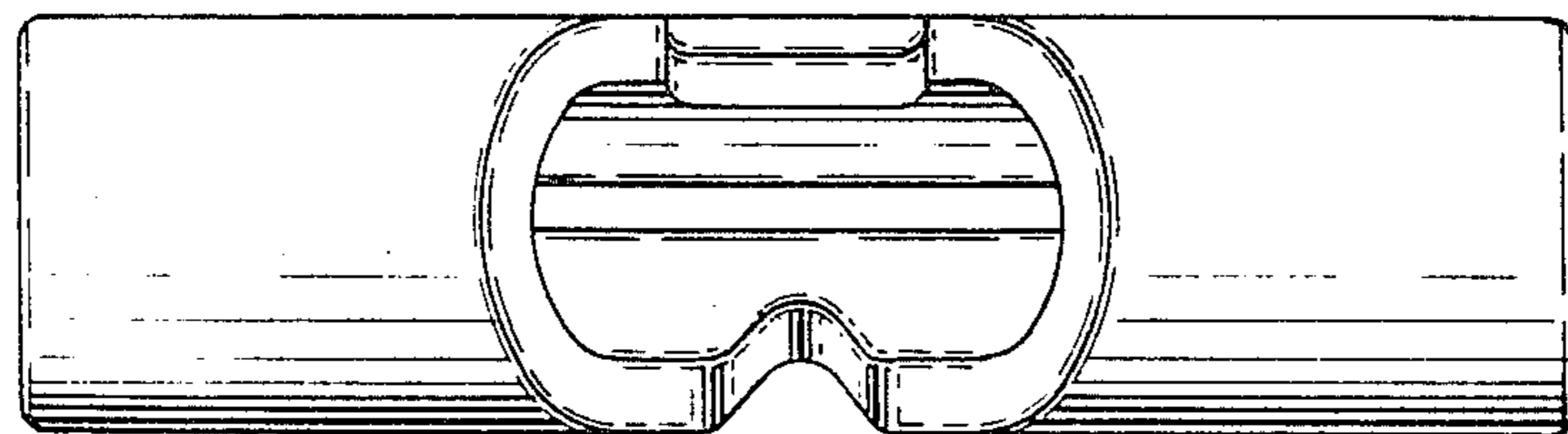


FIG. 5.

