

United States Patent [19]

Wiese et al.

[11] Patent Number: **Des. 277,517**

[45] Date of Patent: **** Feb. 5, 1985**

- [54] **CARPET AND RUG VACUUM CLEANER**
- [75] Inventors: **Martin Wiese, South Bend; Thomas E. Shearer, Granger; Dexter K. Lehman, Goshen, all of Ind.**
- [73] Assignee: **National Union Electric Corporation, Greenwich, Conn.**
- [**] Term: **14 Years**
- [21] Appl. No.: **357,430**
- [22] Filed: **Mar. 12, 1982**
- [52] U.S. Cl. **D32/22**
- [58] Field of Search **D32/22, 21, 20, 17, D32/18; 15/50 R, 300 R, 319, 323-326, 327 R, 327 D, 327 E, 344, 363-367, 415-422**

[56] **References Cited**

U.S. PATENT DOCUMENTS

- D. 98,024 12/1935 White D32/22
- D. 162,633 3/1951 Dreyfuss D32/22
- D. 219,235 11/1970 Schucker D32/22

- D. 232,695 9/1974 Wareham D32/22
- D. 248,762 8/1978 Burgess et al. D32/22
- D. 253,891 1/1980 Schaefer et al. D32/22
- D. 259,566 6/1981 Phillips D32/22
- 2,876,481 3/1959 Gerber et al. D32/22
- 3,639,939 2/1972 Crener et al. 15/50 R

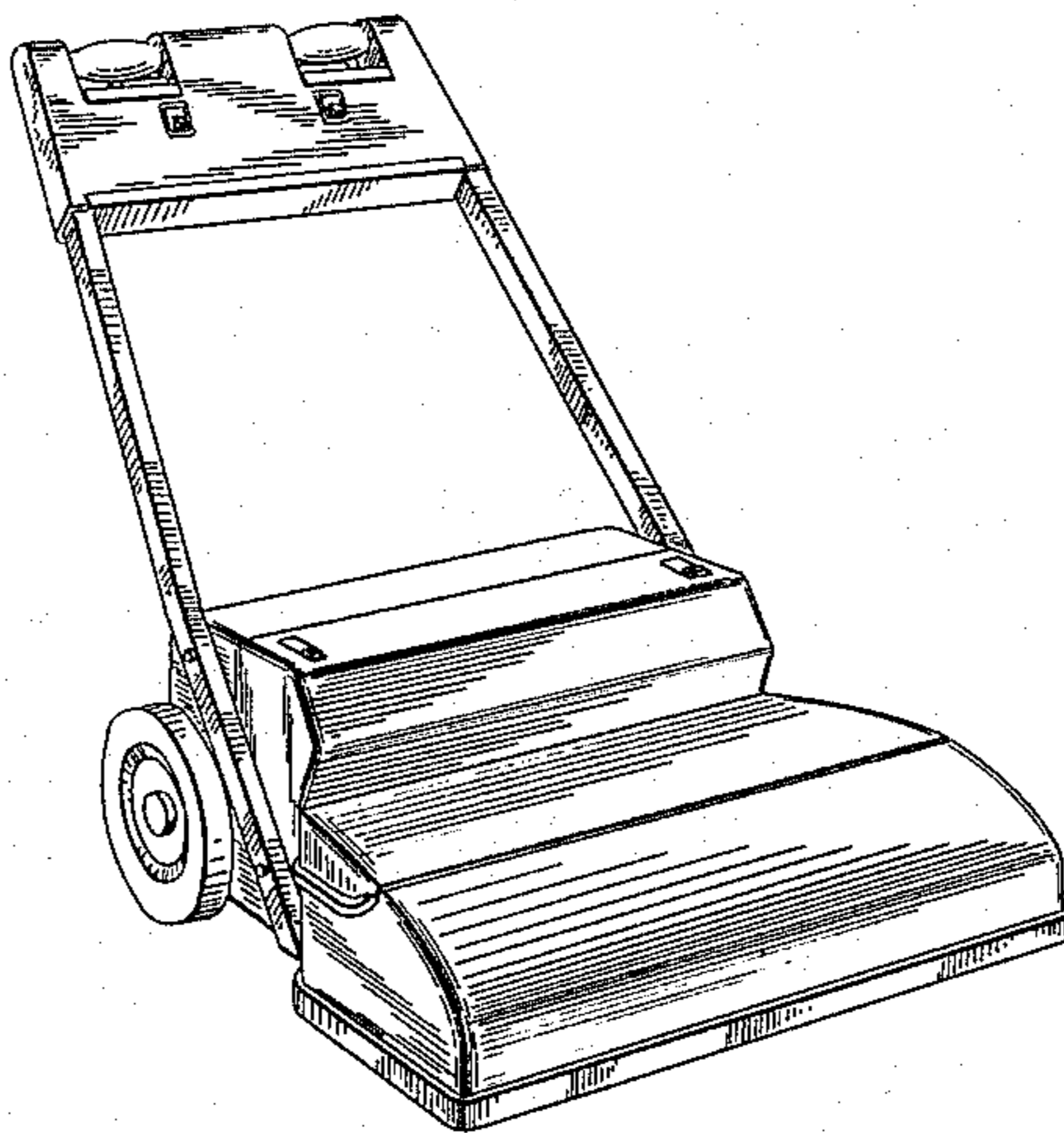
Primary Examiner—Wallace R. Burke
Assistant Examiner—Lynn Wilder
Attorney, Agent, or Firm—Alfred E. Miller

[57] **CLAIM**

The ornamental design for a carpet and rug vacuum cleaner, as shown and described.

DESCRIPTION

FIG. 1 is a perspective view of the carpet and rug vacuum cleaner embodying our new design.
FIG. 2 is a bottom plan view thereof.
FIG. 3 is a side elevational view thereof.
FIG. 4 is a front elevational view thereof.
FIG. 5 is a top plan view thereof, and
FIG. 6 is a rear elevational view thereof.



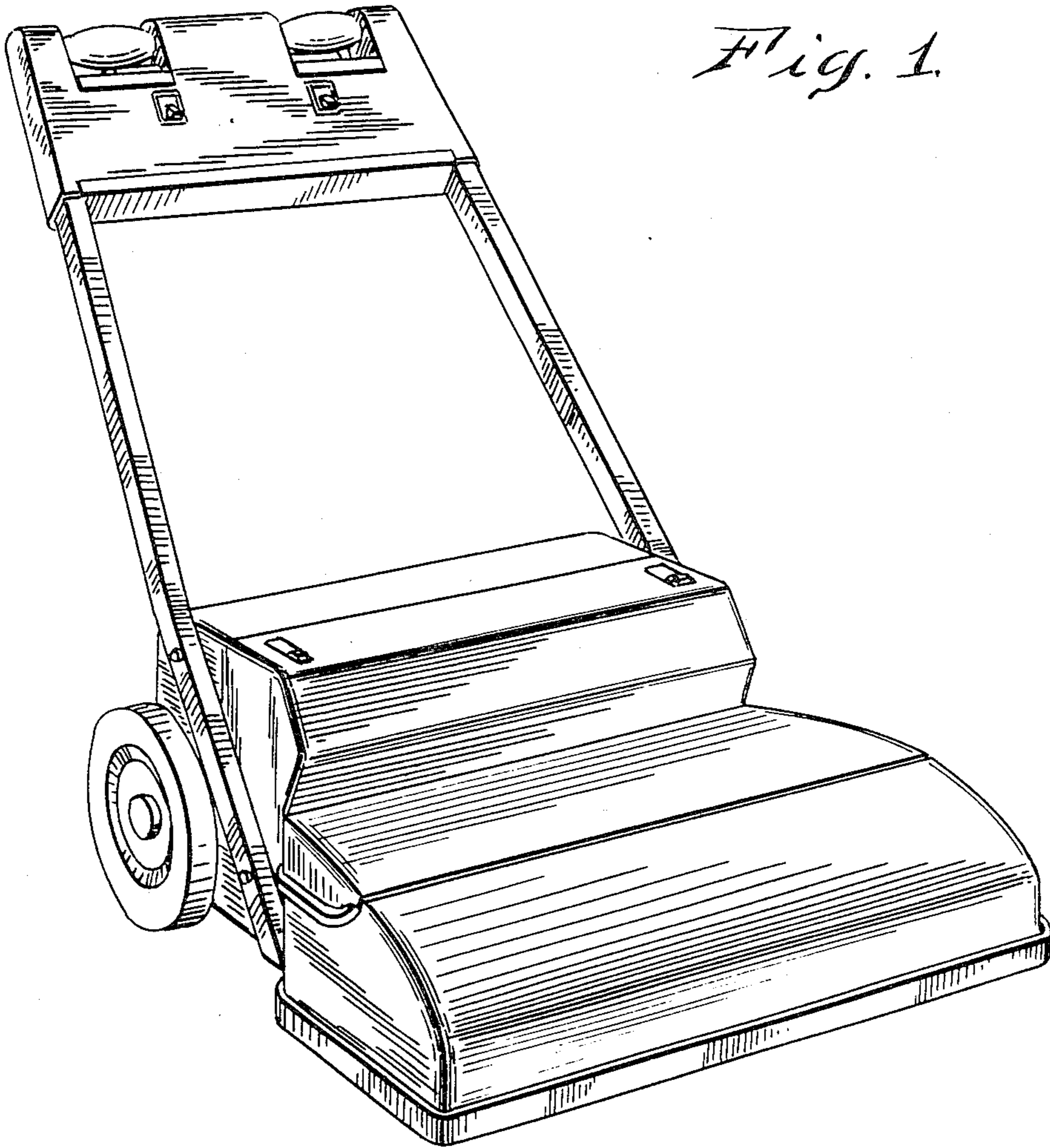


Fig. 1.

Fig. 2.

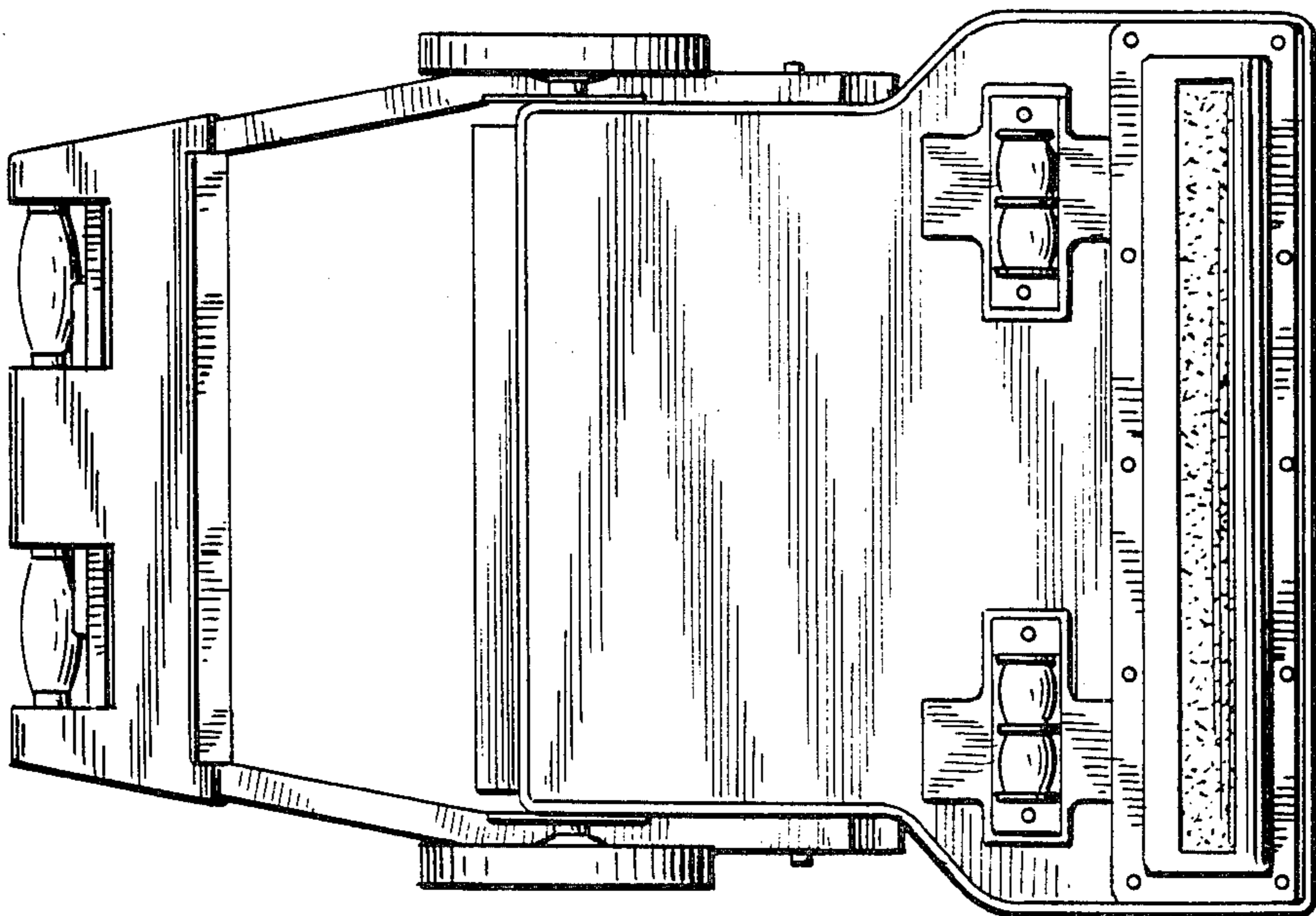


Fig. 4.

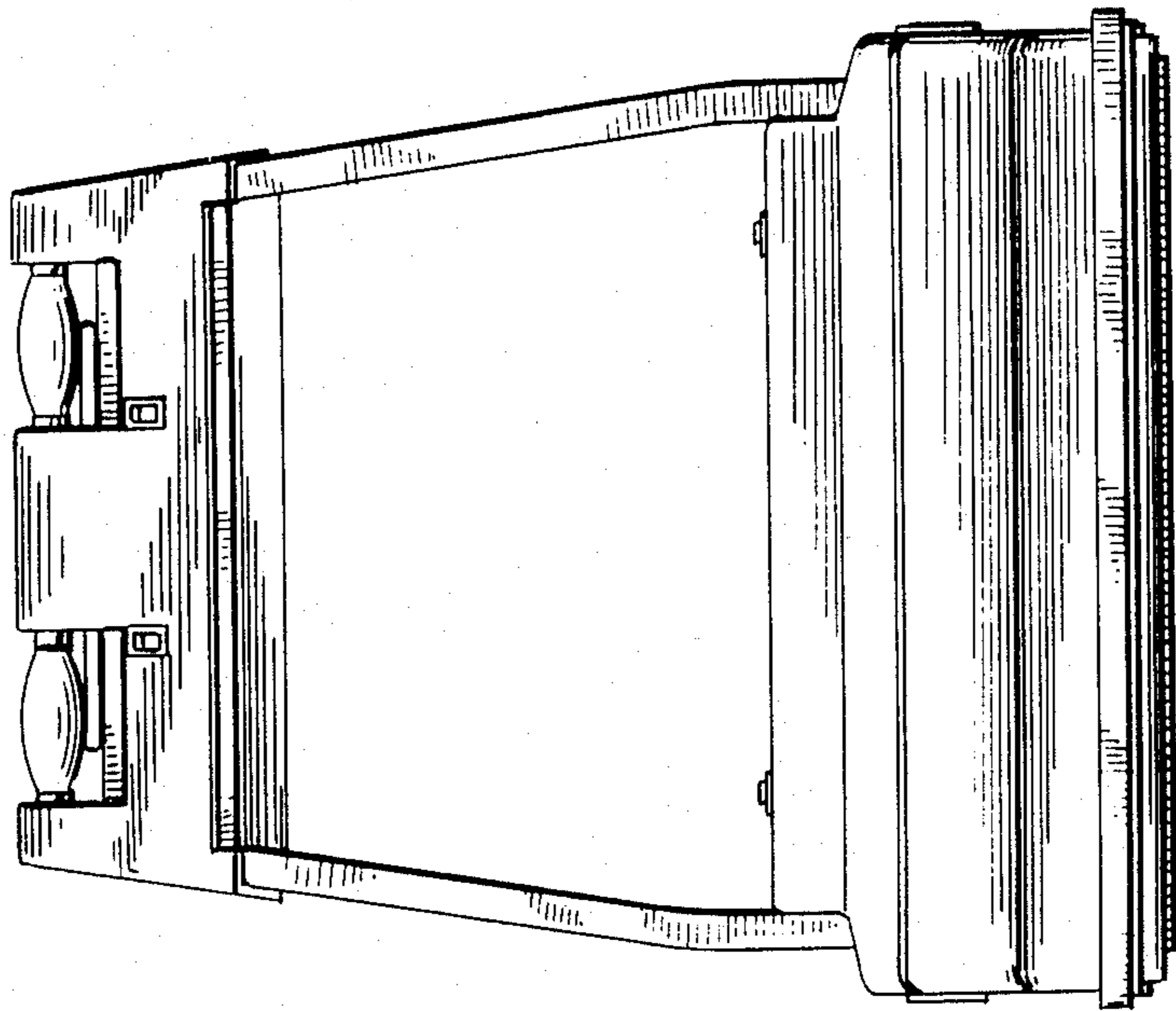


Fig. 3.

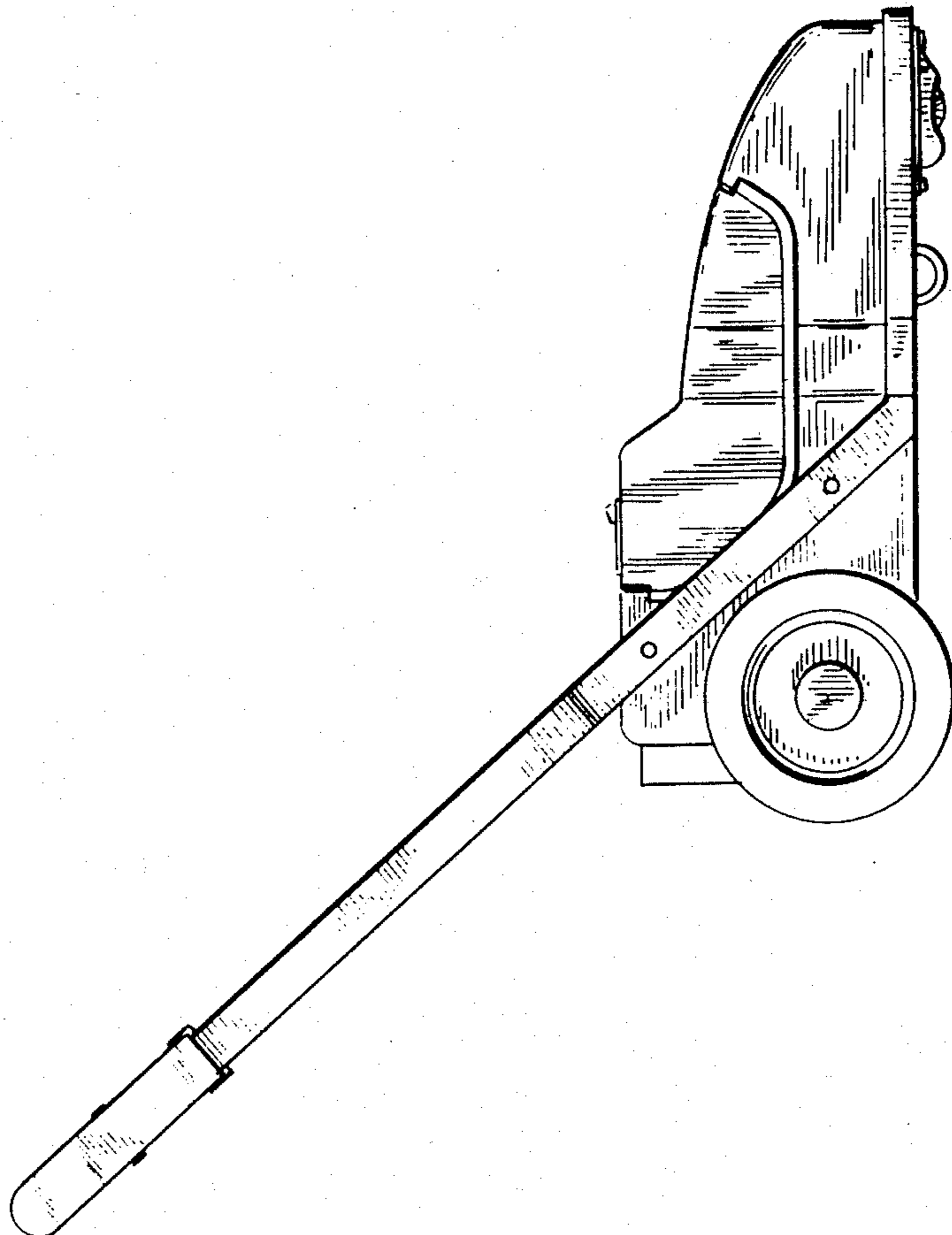


Fig. 6.

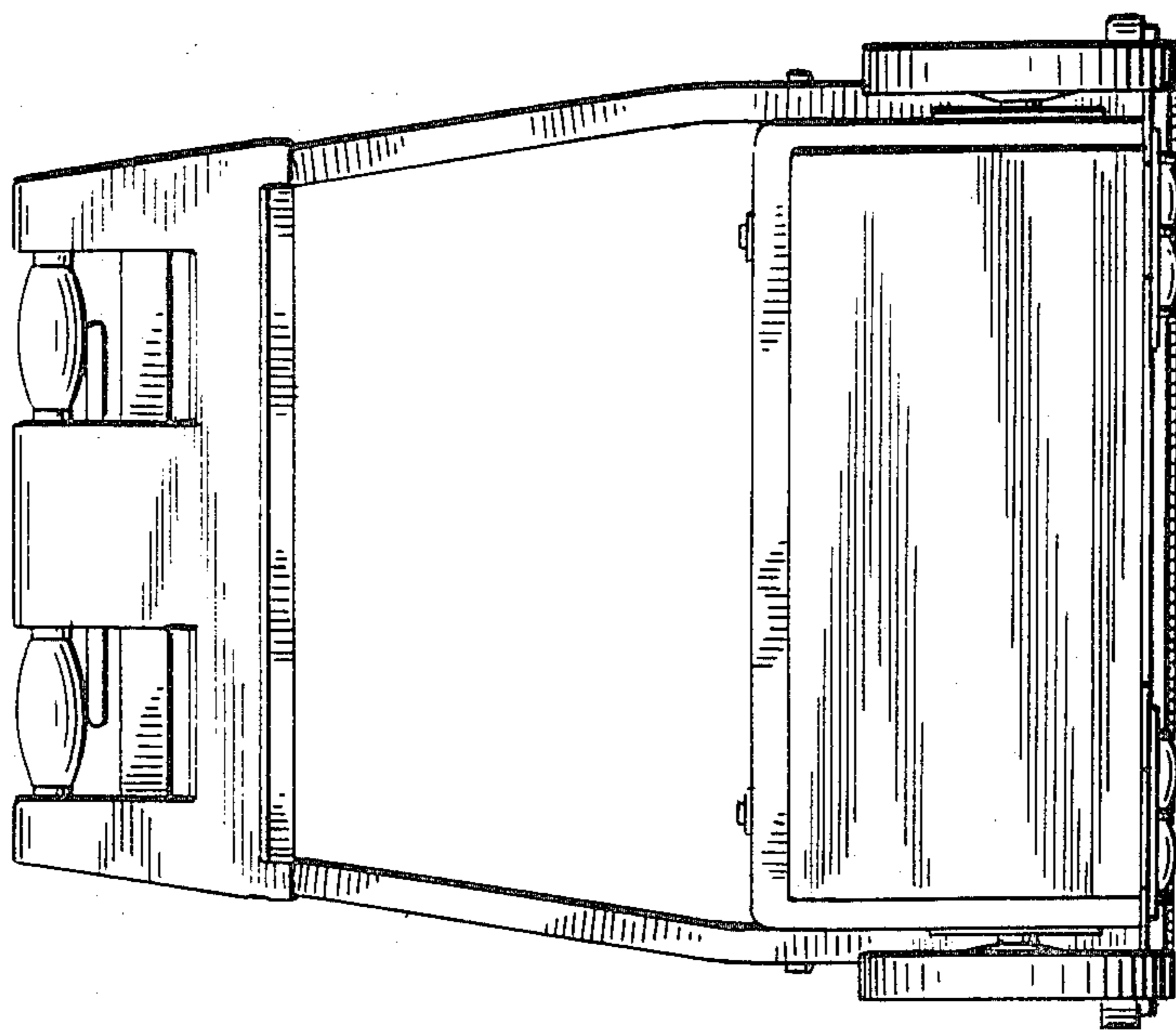


Fig. 5.

