

[54] **CLEANING RACK FOR SADDLES OR THE LIKE**

[76] Inventor: **Richard J. Secor**, Rolesville, N.C. 27571

[\*\*] Term: **14 Years**

[21] Appl. No.: **430,277**

[22] Filed: **Sep. 30, 1982**

[52] U.S. Cl. .... **D30/45; D6/476**

[58] Field of Search ..... **D30/40-99; D6/178; 182/178; 248/163 R, 176, 187, 309.1**

[56] **References Cited**

**U.S. PATENT DOCUMENTS**

- D. 197,292 1/1964 Holmberg ..... D30/45
- D. 200,164 1/1965 Hyman ..... D30/45
- D. 208,155 7/1967 Swanson et al. .... D30/45
- D. 261,712 11/1981 Ferdinand et al. .... D6/178

- 3,241,633 3/1966 Bond et al. .... D6/178
- 3,476,255 11/1969 Ciancio ..... 211/87
- 3,848,700 11/1974 Davis, Jr. .... 182/181

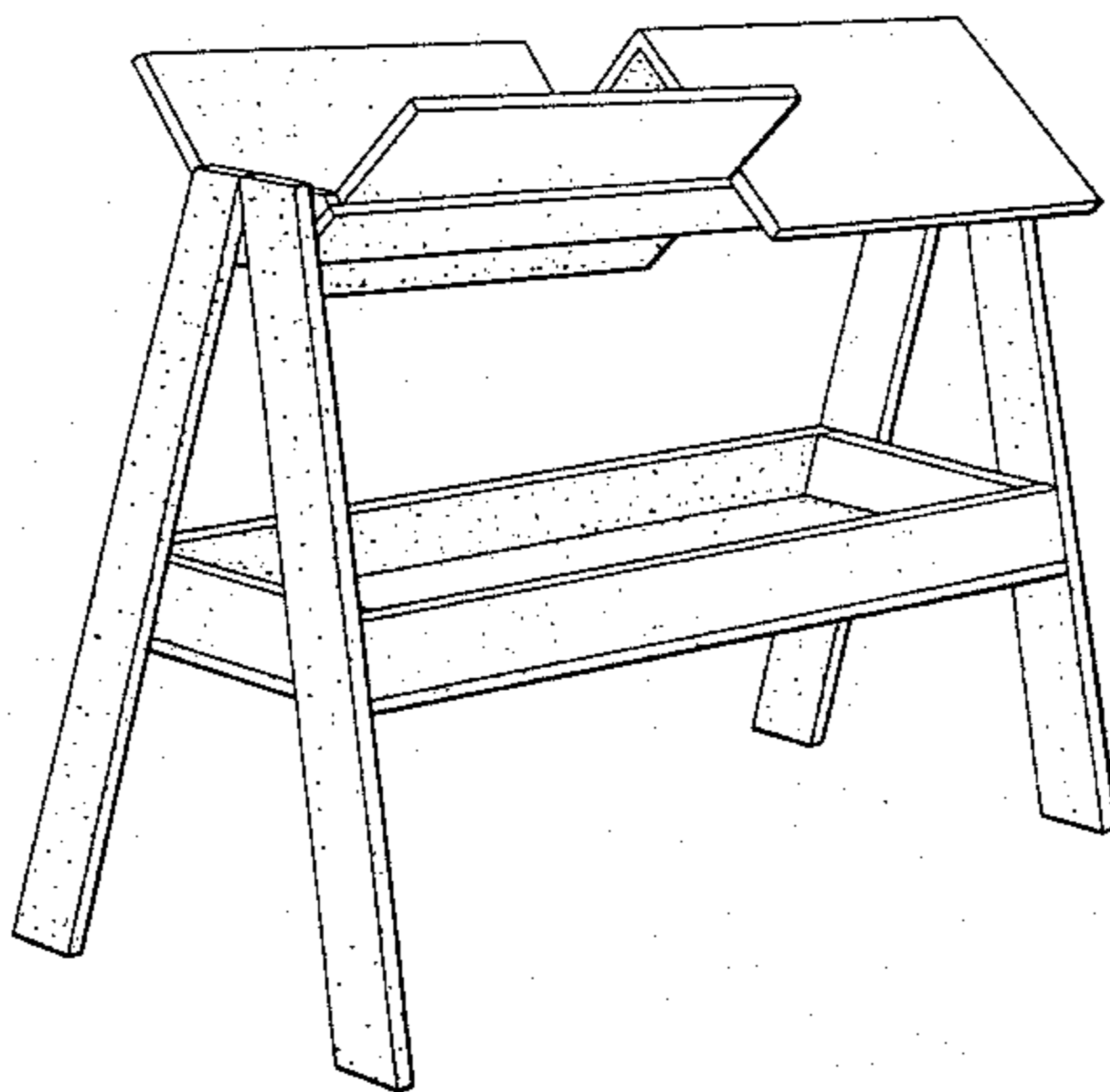
*Primary Examiner*—James R. Largent  
*Attorney, Agent, or Firm*—Mills & Coats

[57] **CLAIM**

The ornamental design for a cleaning rack for saddles or the like, as shown and described.

**DESCRIPTION**

FIG. 1 is an end elevational view of the cleaning rack for saddles or the like showing my new design;  
 FIG. 2 is an elevational view taken from the end opposite that shown in FIG. 1;  
 FIG. 3 is a top plan view thereof;  
 FIG. 4 is a side elevational view thereof, the opposite side being a mirror image of the side shown; and  
 FIG. 5 is a perspective view thereof.



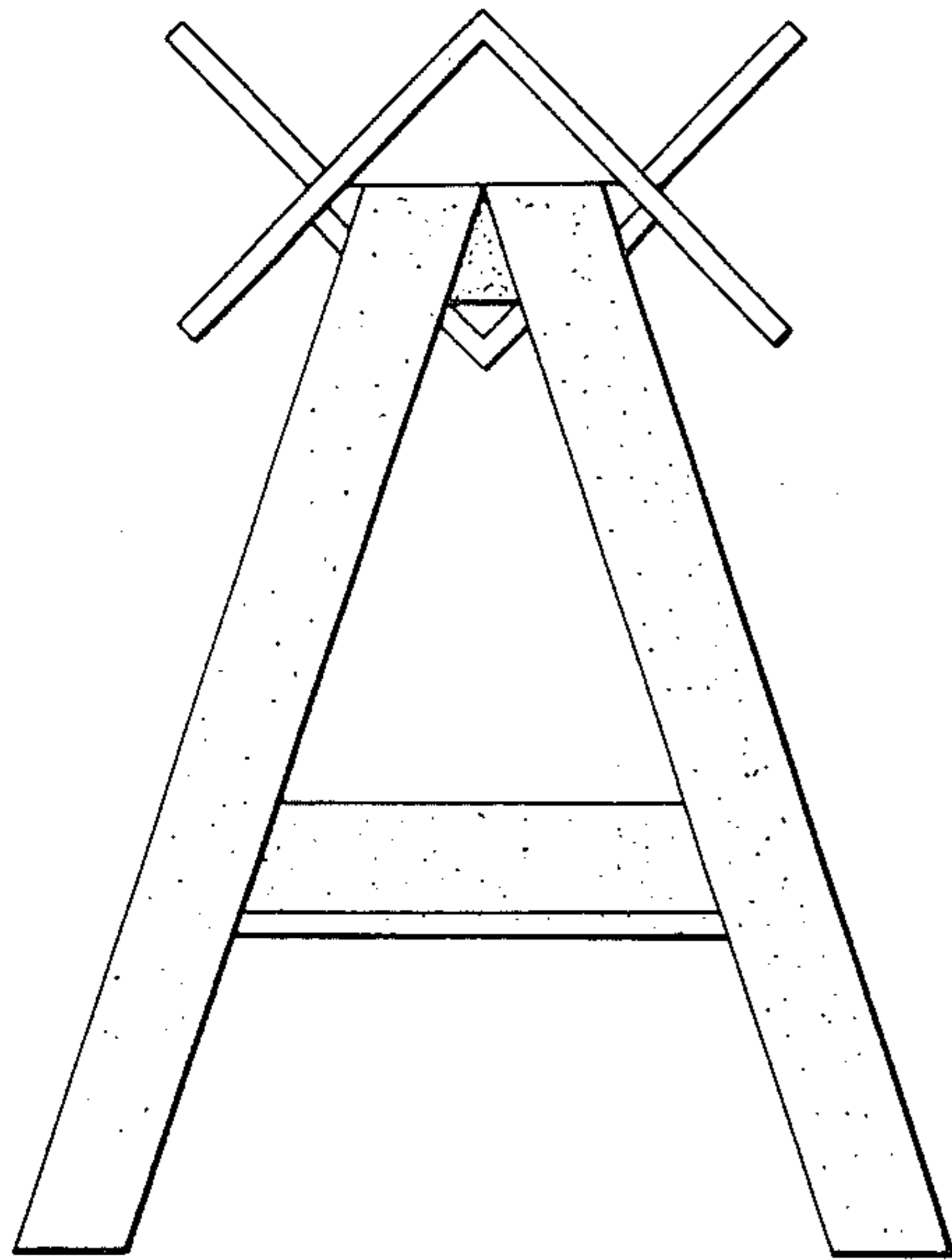


FIG. 1

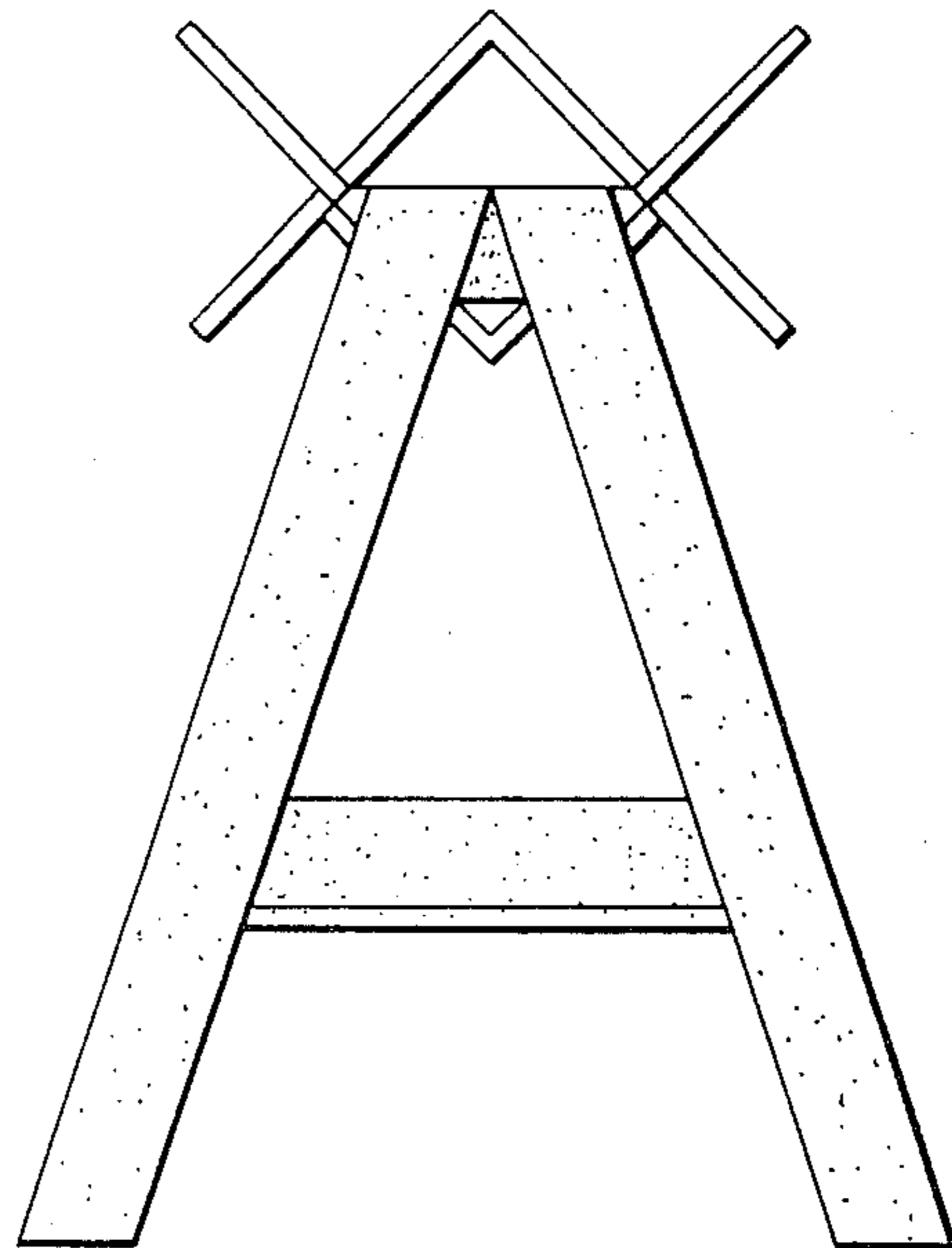


FIG. 2

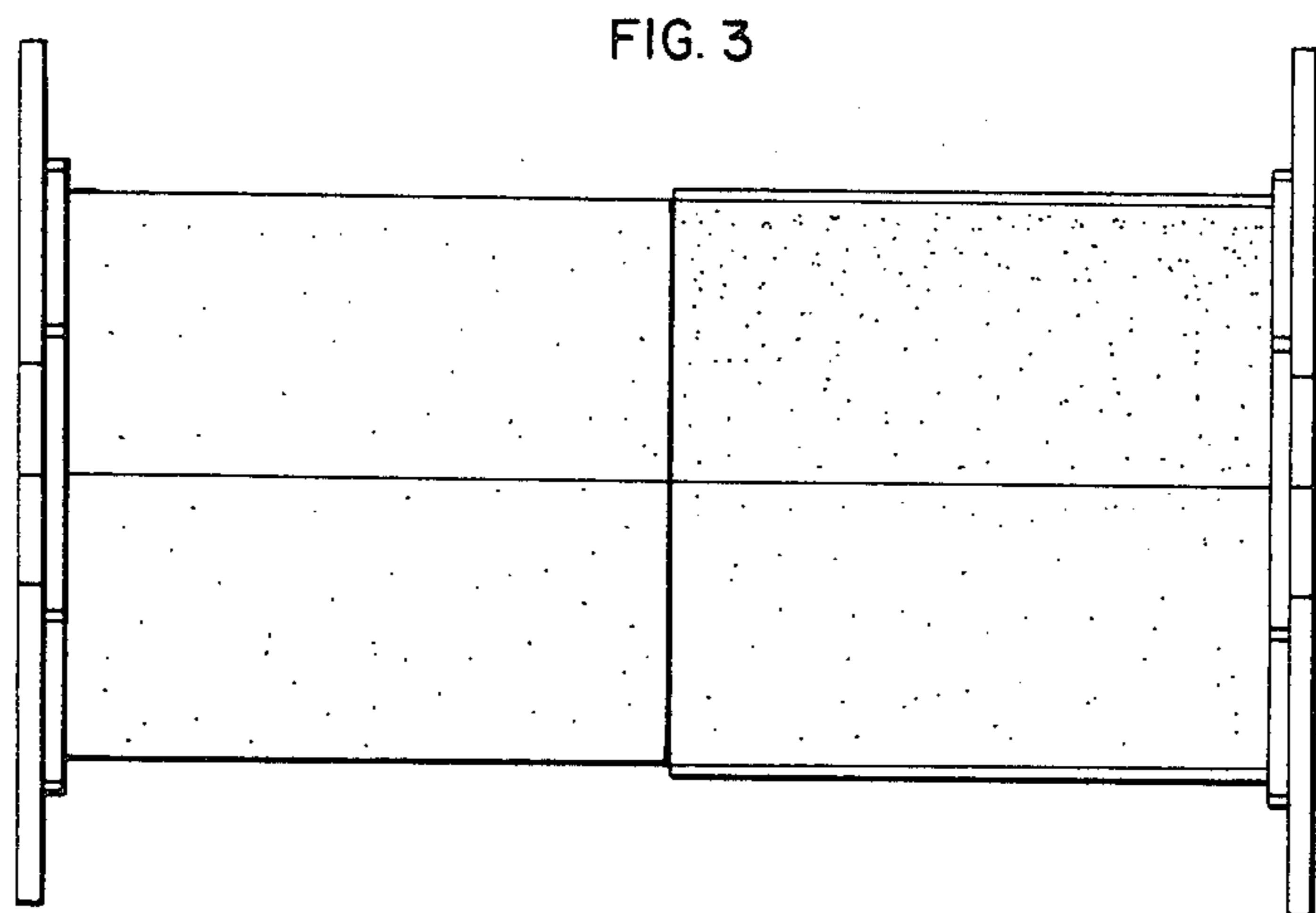


FIG. 4

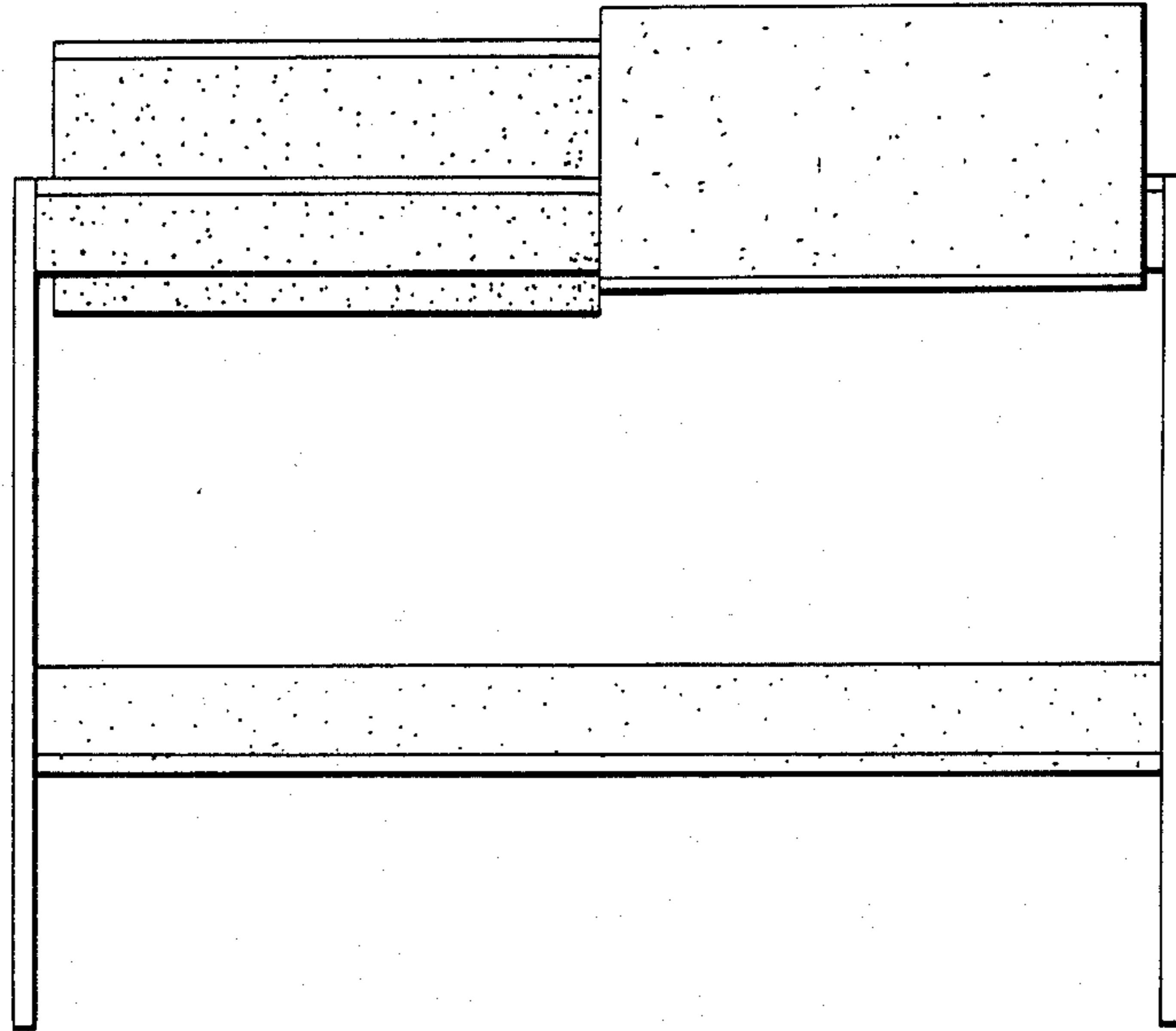


FIG. 5

