

# United States Patent [19]

Truette et al.

[11] Patent Number: **Des. 277,503**

[45] Date of Patent: **\*\* Feb. 5, 1985**

[54] **DENTAL CUSPIDOR**

[75] Inventors: **Danny M. Truette, Pineville; George V. McGaha, Charlotte, both of N.C.**

[73] Assignee: **The Pelton and Crane Company, Charlotte, N.C.**

[\*\*] Term: **14 Years**

[21] Appl. No.: **384,802**

[22] Filed: **Jun. 3, 1982**

[52] U.S. Cl. .... **D24/5**

[58] Field of Search ..... **D24/4, 5, 10; 433/97; 4/263, 264**

[56] **References Cited**

**U.S. PATENT DOCUMENTS**

D. 208,304	8/1967	Krantz	.....	D24/5
D. 225,855	1/1973	Krantz	.....	D24/10
D. 225,999	1/1973	Krantz	.....	D24/5
D. 258,007	1/1981	Schmidt	.....	D24/4 X

1,300,868	4/1919	Pieper et al.	.....	4/263
3,771,226	11/1973	Lieb et al.	.....	433/97 X
3,823,475	7/1974	Heubeck	.....	4/263 X

**FOREIGN PATENT DOCUMENTS**

1186169	1/1965	Fed. Rep. of Germany	.....	433/97
982813	6/1951	France	.....	433/97

*Primary Examiner*—Catherine E. Kemper  
*Attorney, Agent, or Firm*—Stuart E. Krieger; Richard H. Brink; Isaac Jarkovsky

[57] **CLAIM**

The ornamental design for a dental cuspidor, substantially as shown and described.

**DESCRIPTION**

FIG. 1 is a front perspective view of a dental cuspidor, showing our new design;

FIG. 2 is a rear elevational view thereof;

FIG. 3 is a front elevational view thereof;

FIG. 4 is a left end elevational view thereof;

FIG. 5 is a right end elevational view thereof.

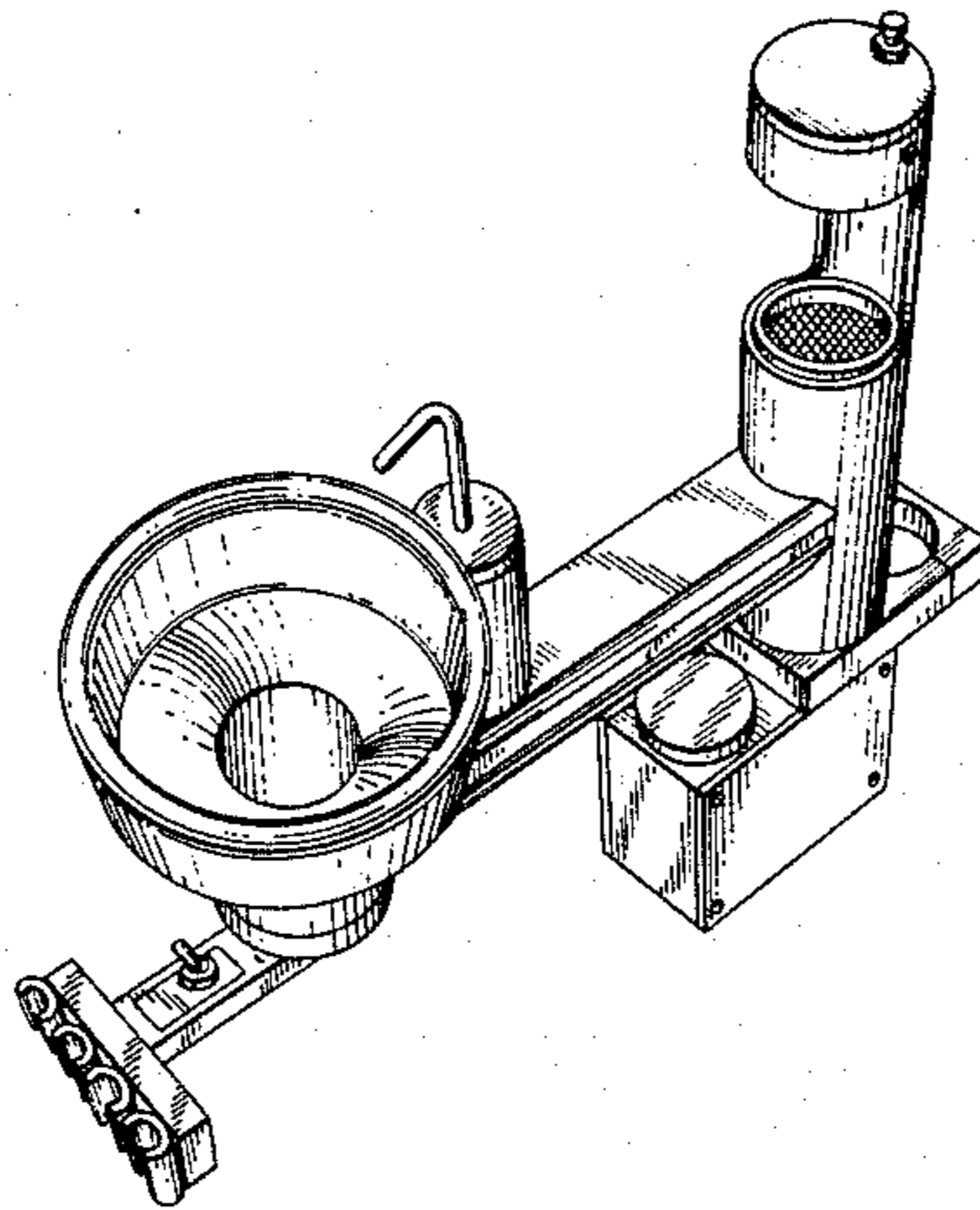


FIG. 1

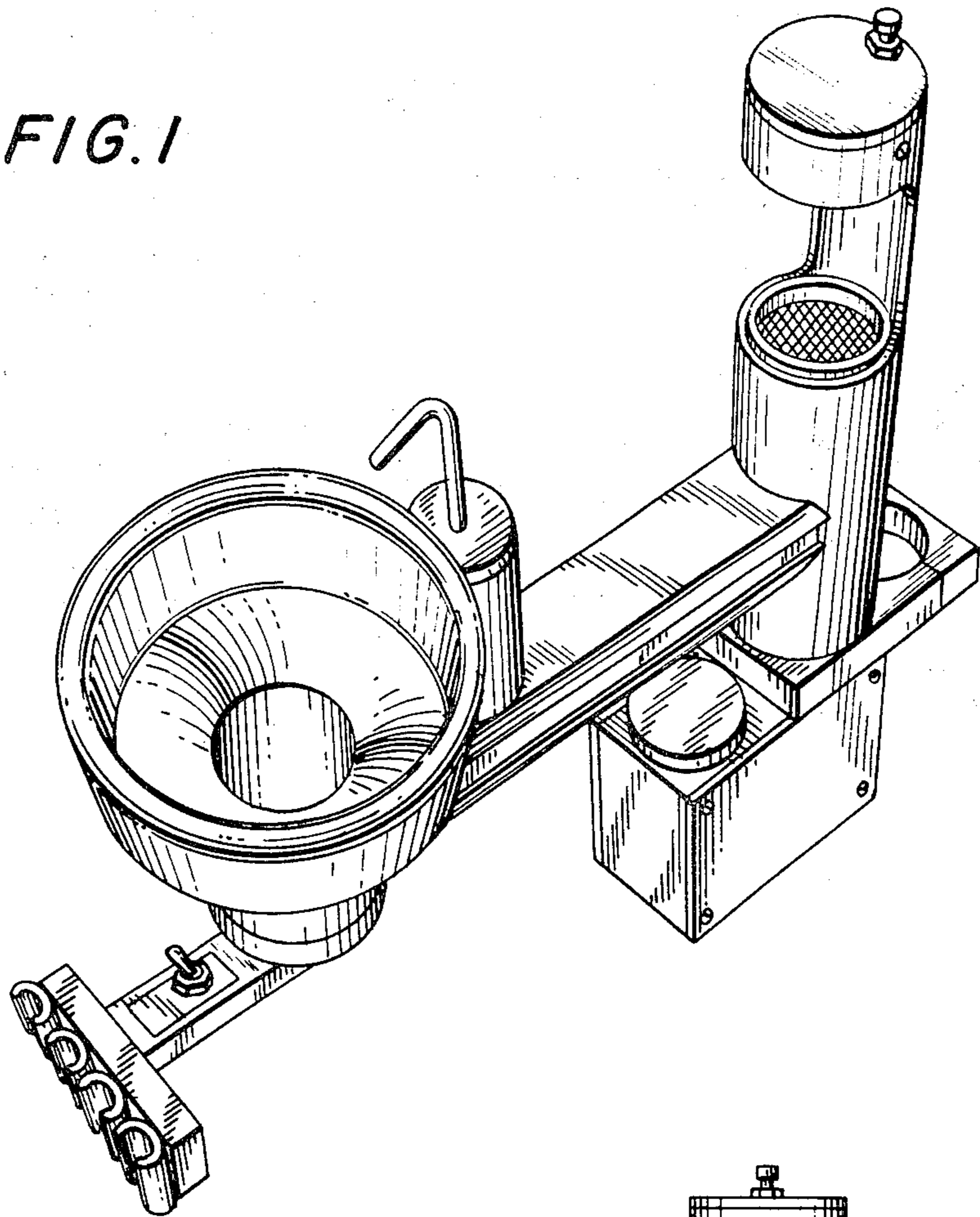


FIG. 4

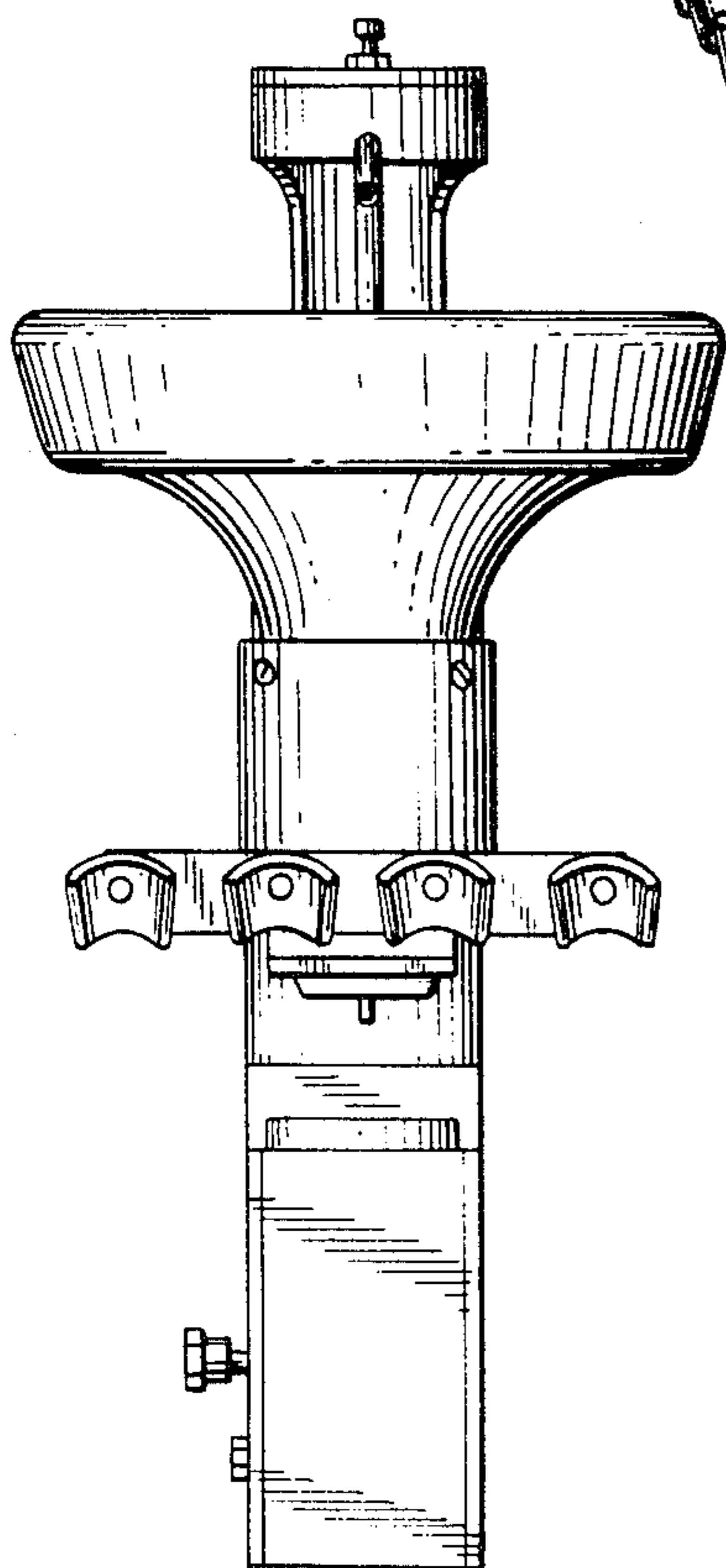


FIG. 5

