

[54] EXERCISE PLATFORM

[75] Inventor: Jack V. Miller, Sierra Madre, Calif.

[73] Assignee: Gravity Guidance, Inc., Duarte, Calif.

[**] Term: 14 Years

[21] Appl. No.: 441,445

[22] Filed: Nov. 15, 1982

[52] U.S. Cl. D21/191

[58] Field of Search D21/191-199;
272/93, 125, 134, 138, 139, 142, 143, 144, 145

[56] References Cited

U.S. PATENT DOCUMENTS

D. 216,529 2/1970 Bock D21/191
2,817,522 12/1957 Margulies 272/145

3,235,255 2/1966 Leflar 272/125

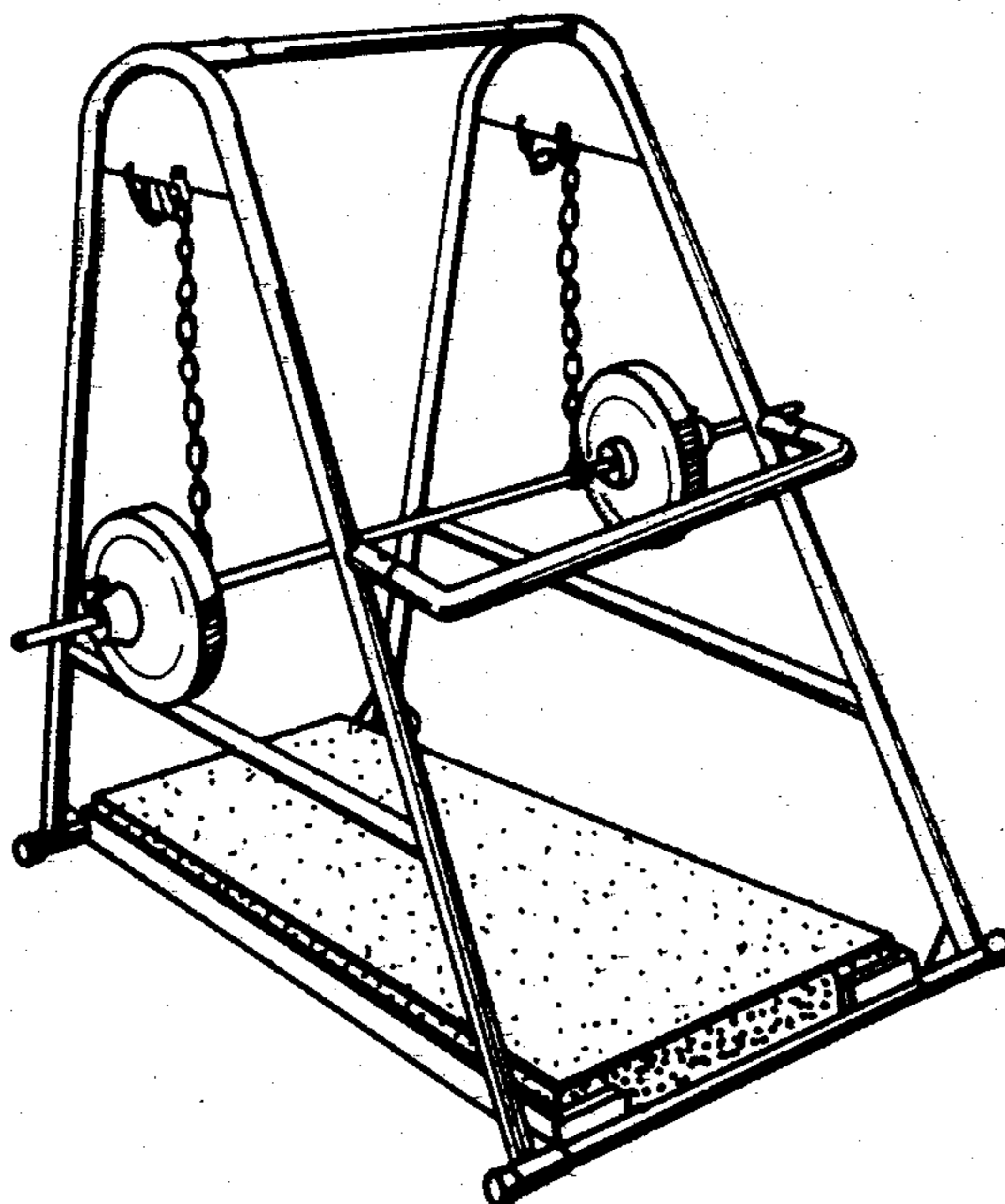
Primary Examiner—Charles A. Rademaker
Attorney, Agent, or Firm—Zarley, McKee, Thomte,
Voorhees & Sease

[57] CLAIM

The ornamental design for an exercise platform, substantially as shown and described.

DESCRIPTION

FIG. 1 is a perspective view of an exercise platform showing my new design;
FIG. 2 is a left side elevational view thereof;
FIG. 3 is a front elevational view thereof;
FIG. 4 is a top plan view thereof;
FIG. 5 is a right side elevational view thereof; and,
FIG. 6 is a rear elevational view thereof.



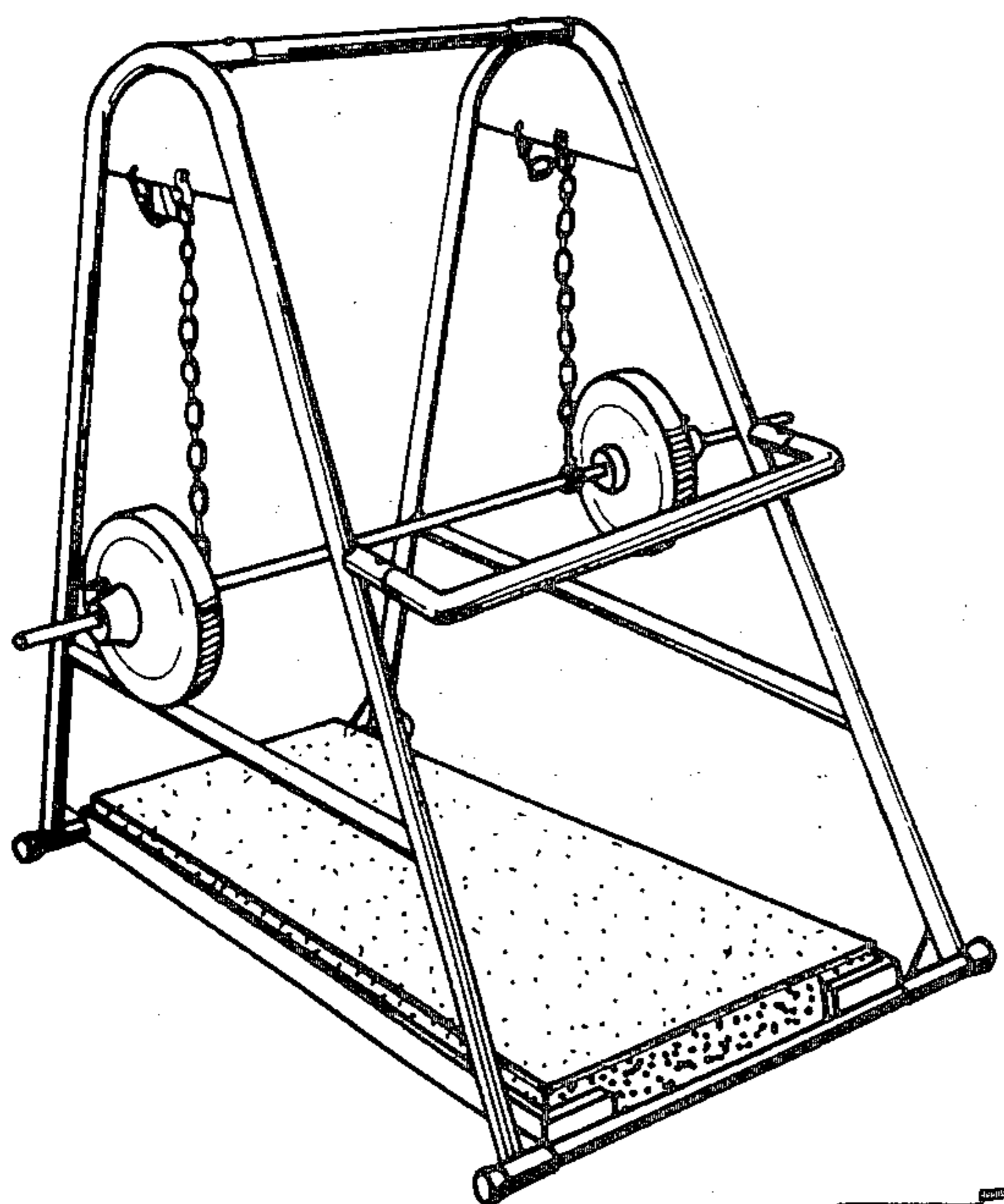


FIG. 1

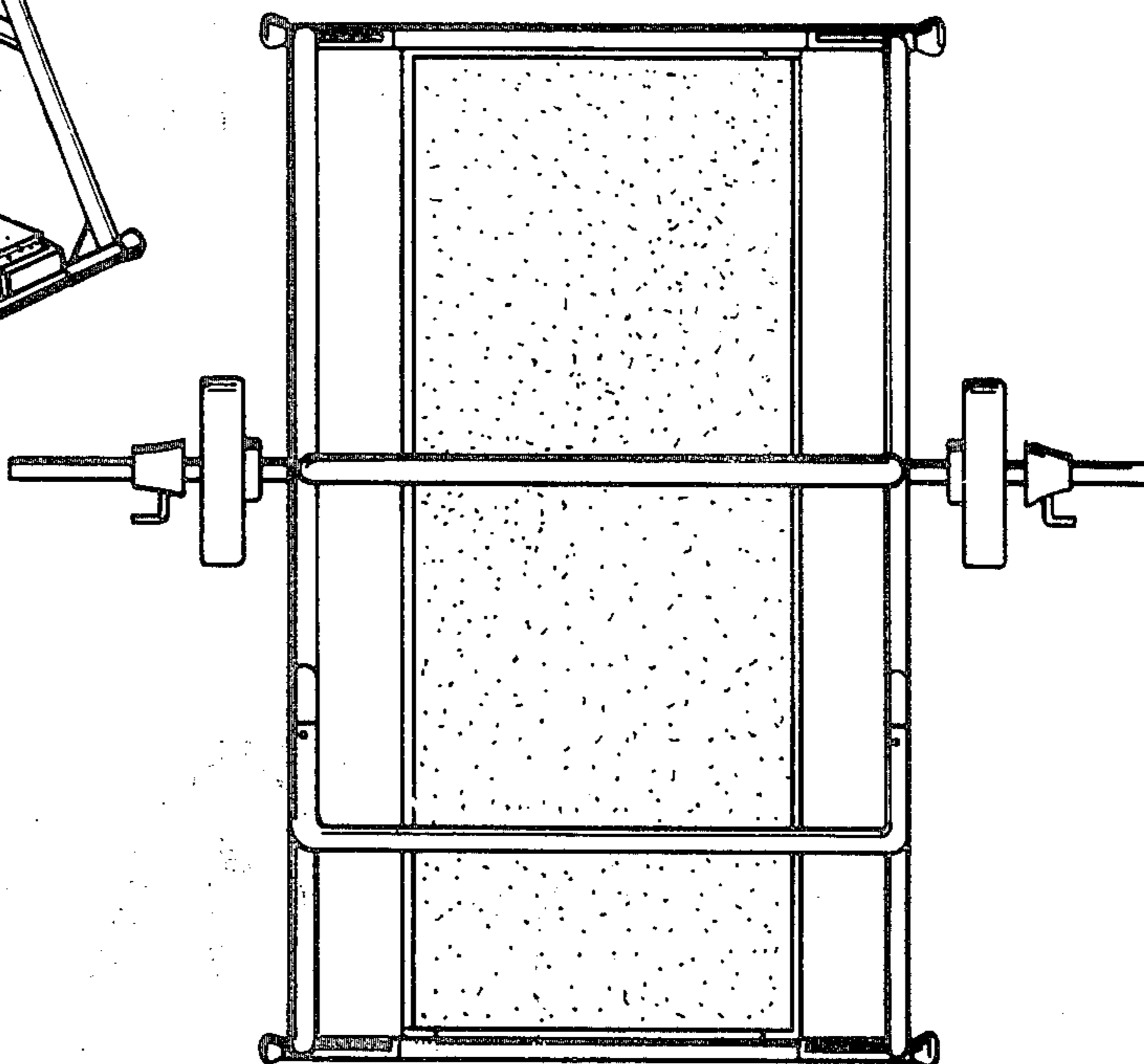


FIG. 4

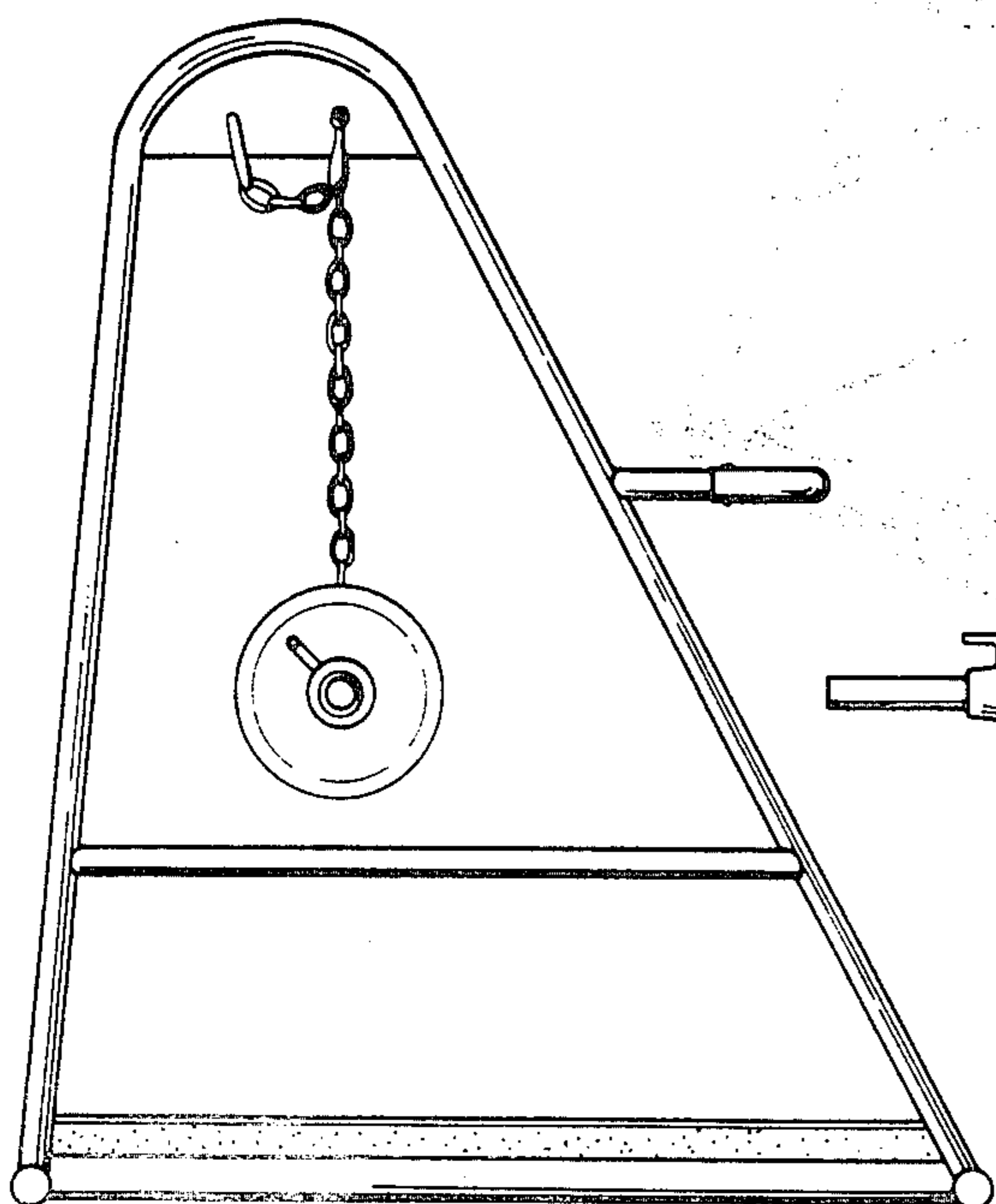


FIG. 2

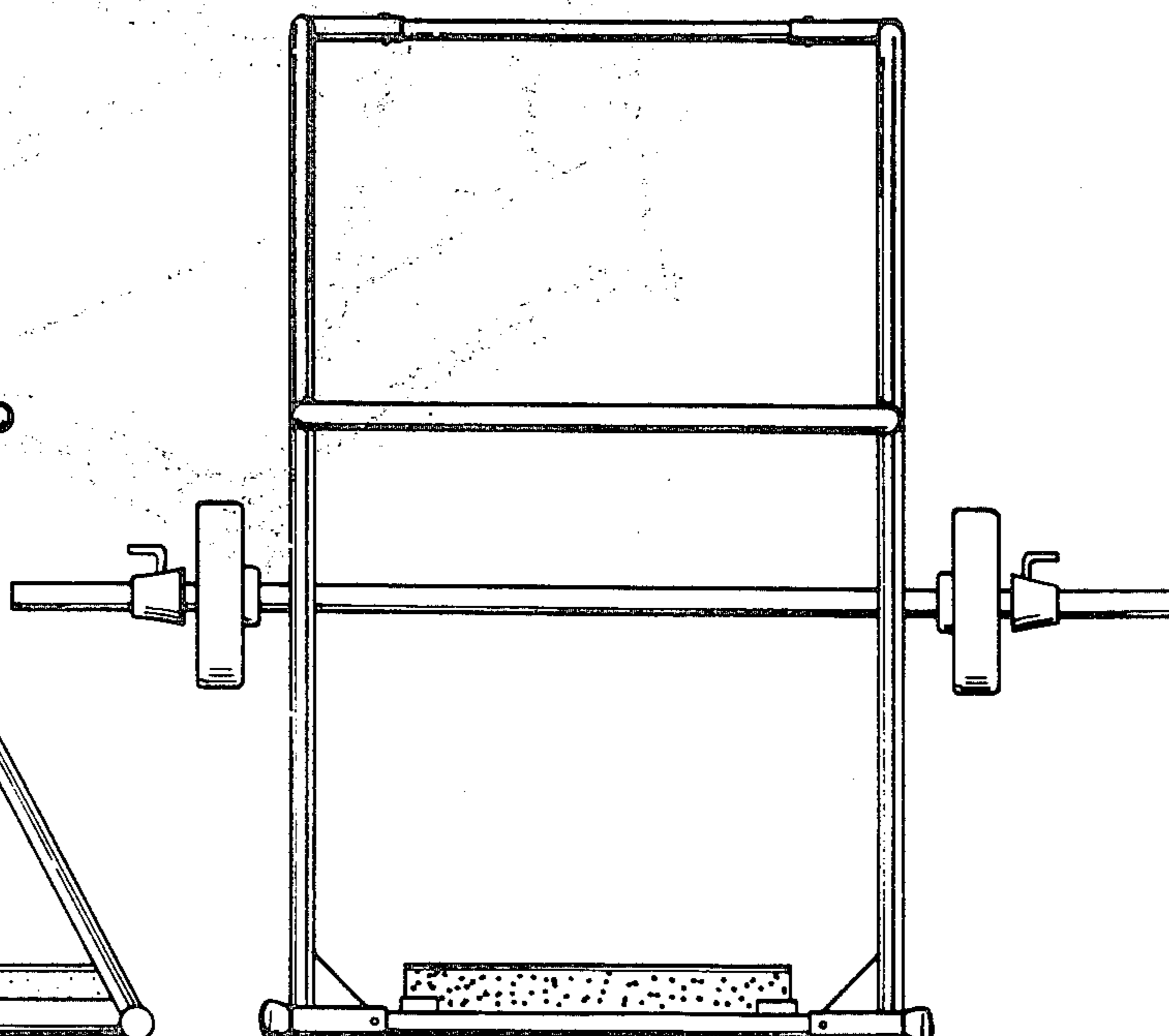


FIG. 3

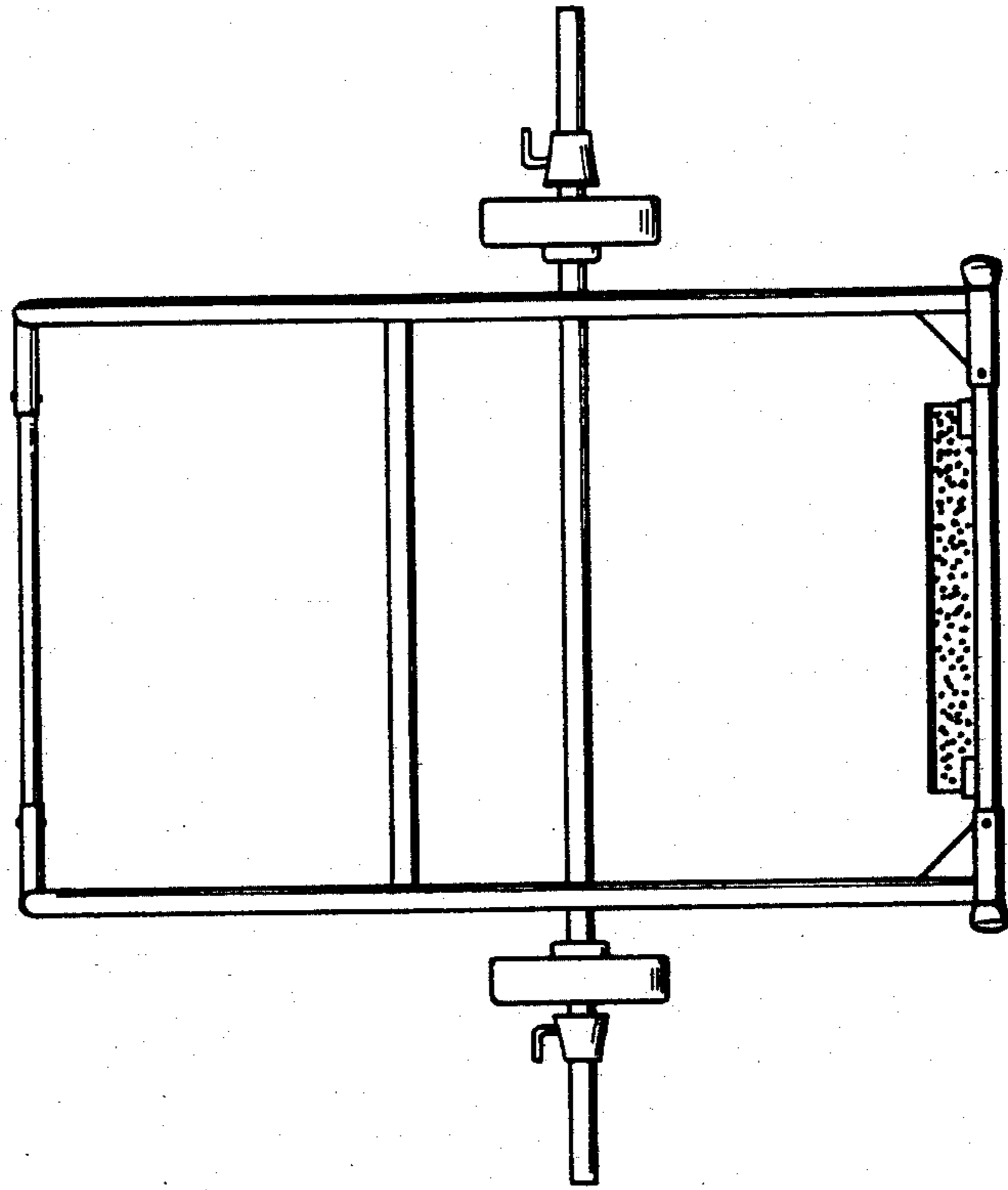


FIG. 6

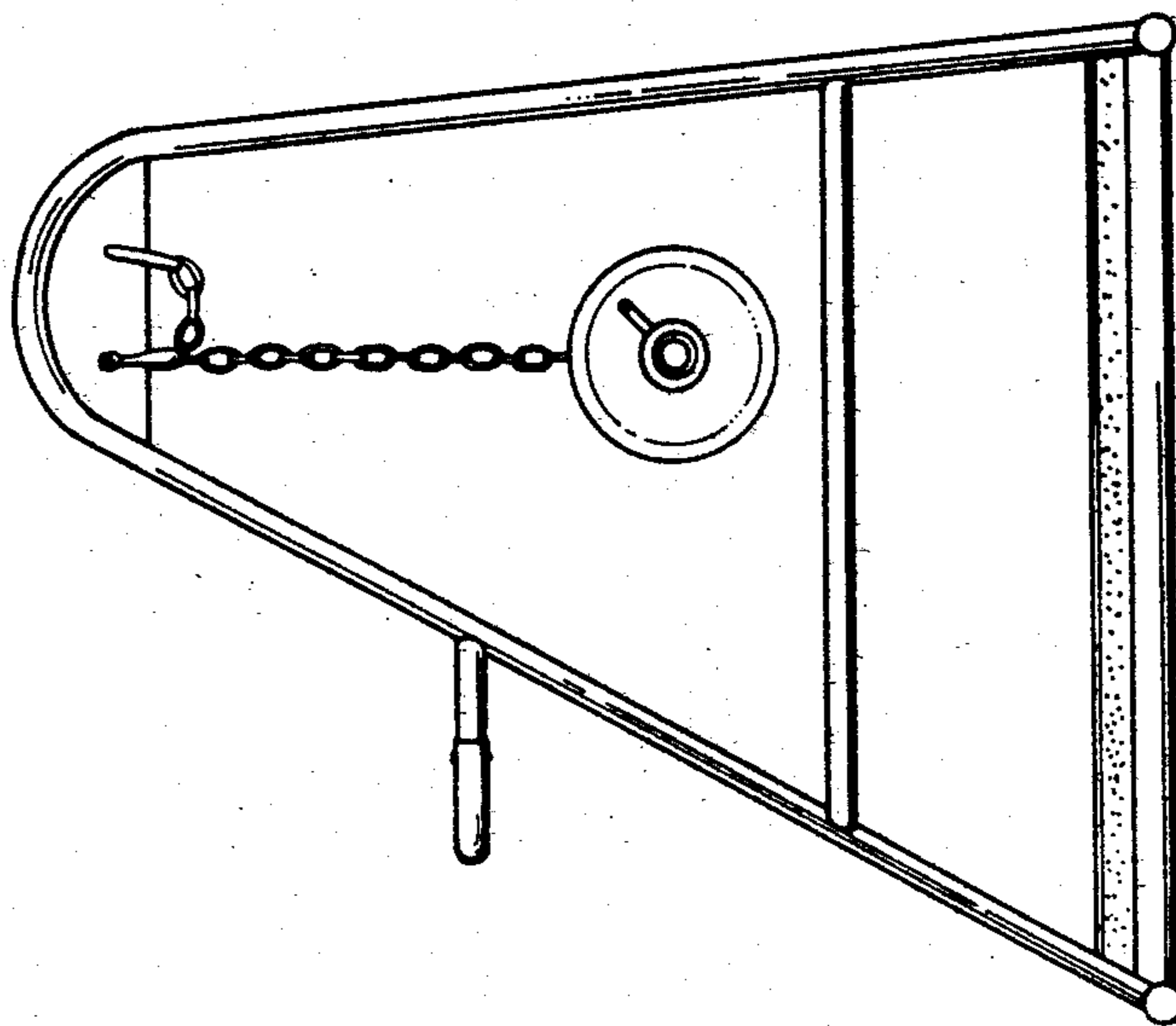


FIG. 5