

[54] TOY RACE CAR
 [75] Inventor: Andris Kalns, East Aurora, N.Y.
 [73] Assignee: The Quaker Oats Company, Chicago, Ill.
 [**] Term: 14 Years
 [21] Appl. No.: 459,773
 [22] Filed: Jan. 21, 1983
 [52] U.S. Cl. D21/137
 [58] Field of Search D21/137, 88, 136, 141, D21/76, 78; D12/83, 86, 88; 280/1.1 R, 87.01, 47.12; 446/431, 460, 465, 466

D. 261,672 11/1981 Phillippe D21/137
 D. 268,940 5/1983 Head D21/137

OTHER PUBLICATIONS

Sears Wish Book, 1981, p. 639, Item #2, Toy Vehicle.

Primary Examiner—Charles A. Rademaker
Attorney, Agent, or Firm—Cumpston & Shaw

[57] CLAIM

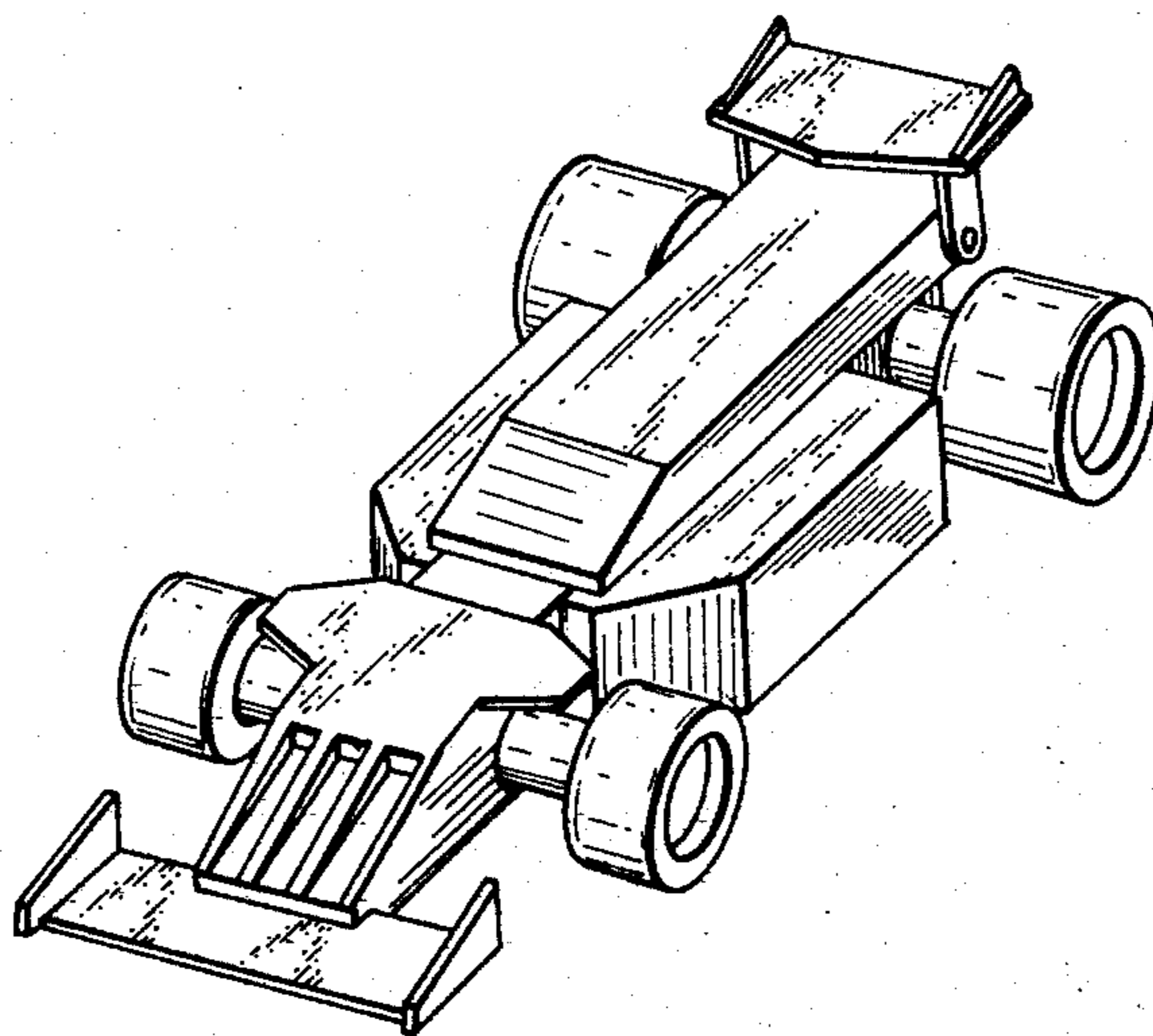
The ornamental design for a toy race car, substantially as shown and described.

DESCRIPTION

FIG. 1 is a perspective view of a toy race car in accordance with my new design;
 FIG. 2 is a right side elevational view thereof;
 FIG. 3 is a rear elevational view thereof;
 FIG. 4 is a bottom plan view thereof;
 FIG. 5 is a front elevational view thereof;
 FIG. 6 is a left side elevational view thereof; and
 FIG. 7 is a top plan view thereof.

[56] References Cited
 U.S. PATENT DOCUMENTS

D. 246,613 12/1977 Ogawa D21/137
 D. 255,810 7/1980 Bretschger D21/137
 D. 257,536 11/1980 Lukes D21/137
 D. 260,913 9/1981 Chapman D21/137



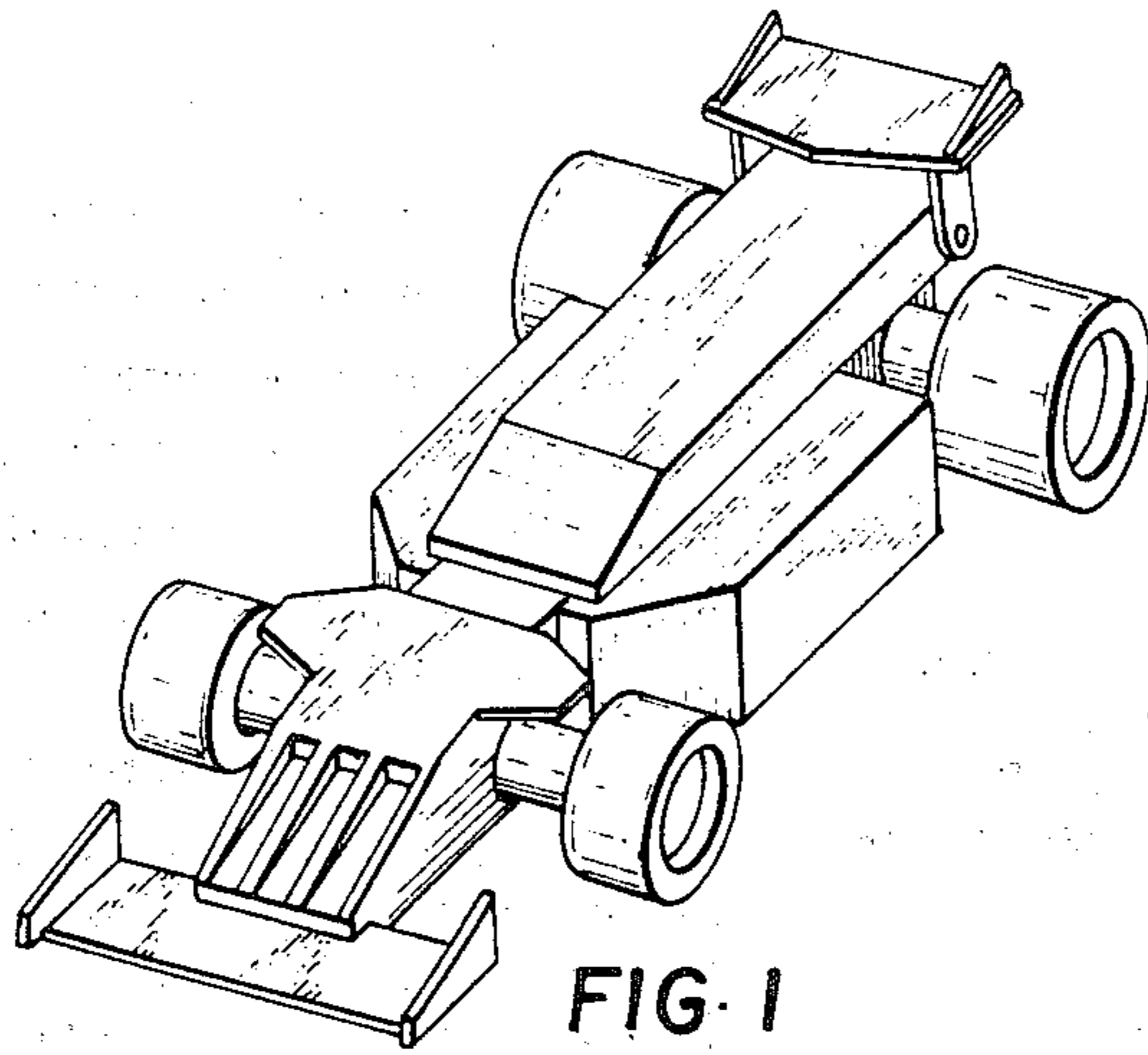


FIG. 1

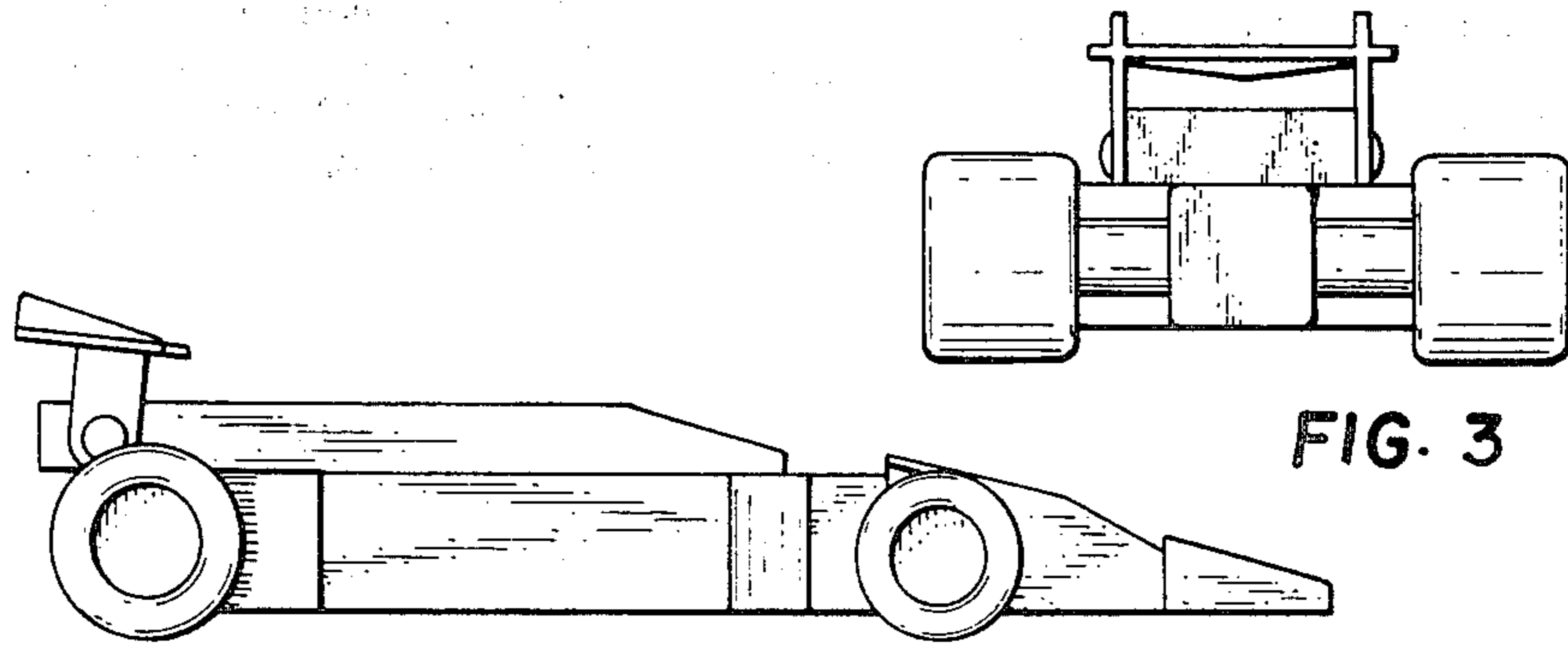


FIG. 2

FIG. 3

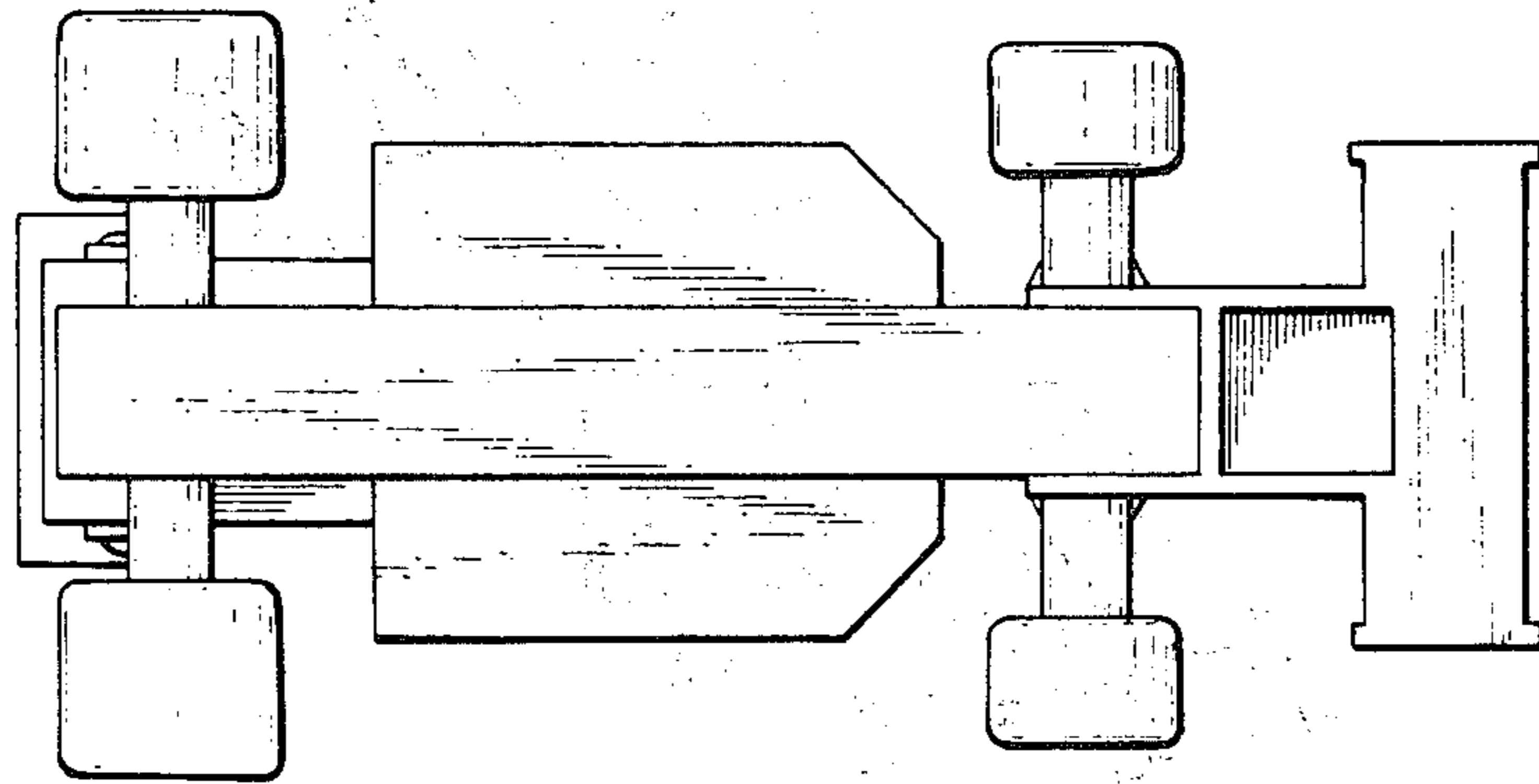


FIG. 4

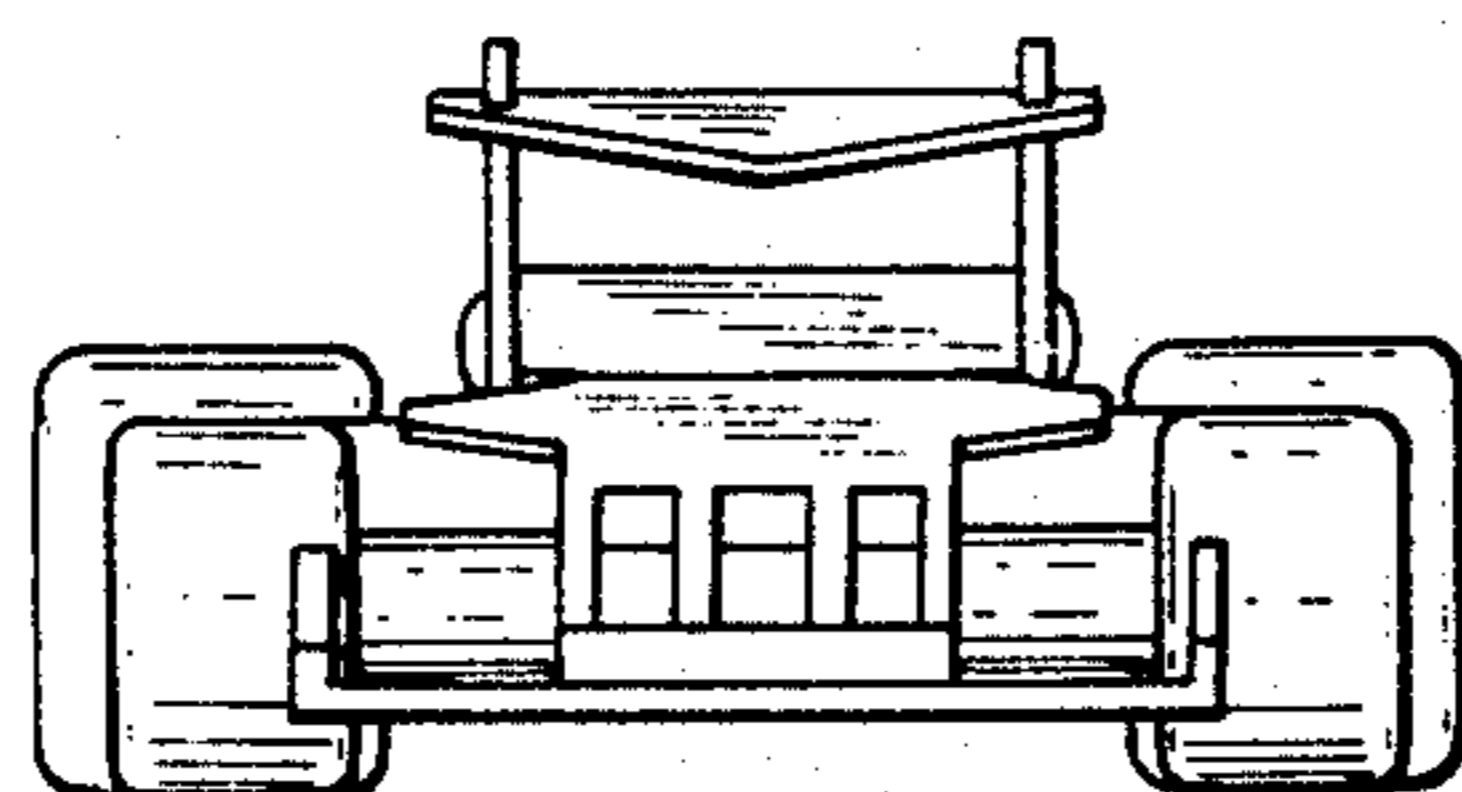


FIG. 5

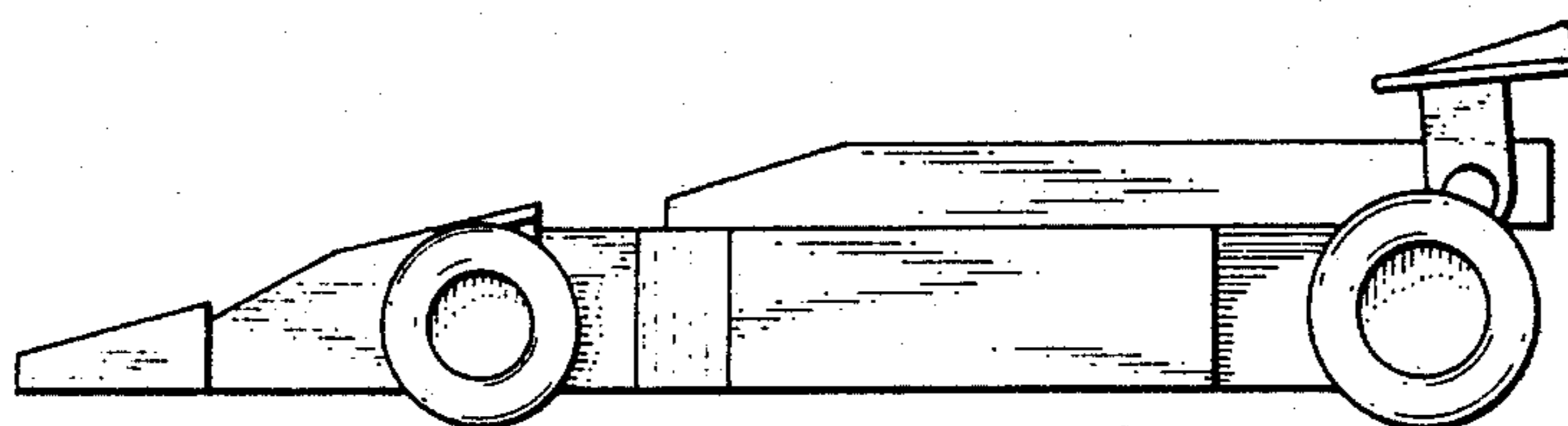


FIG. 6

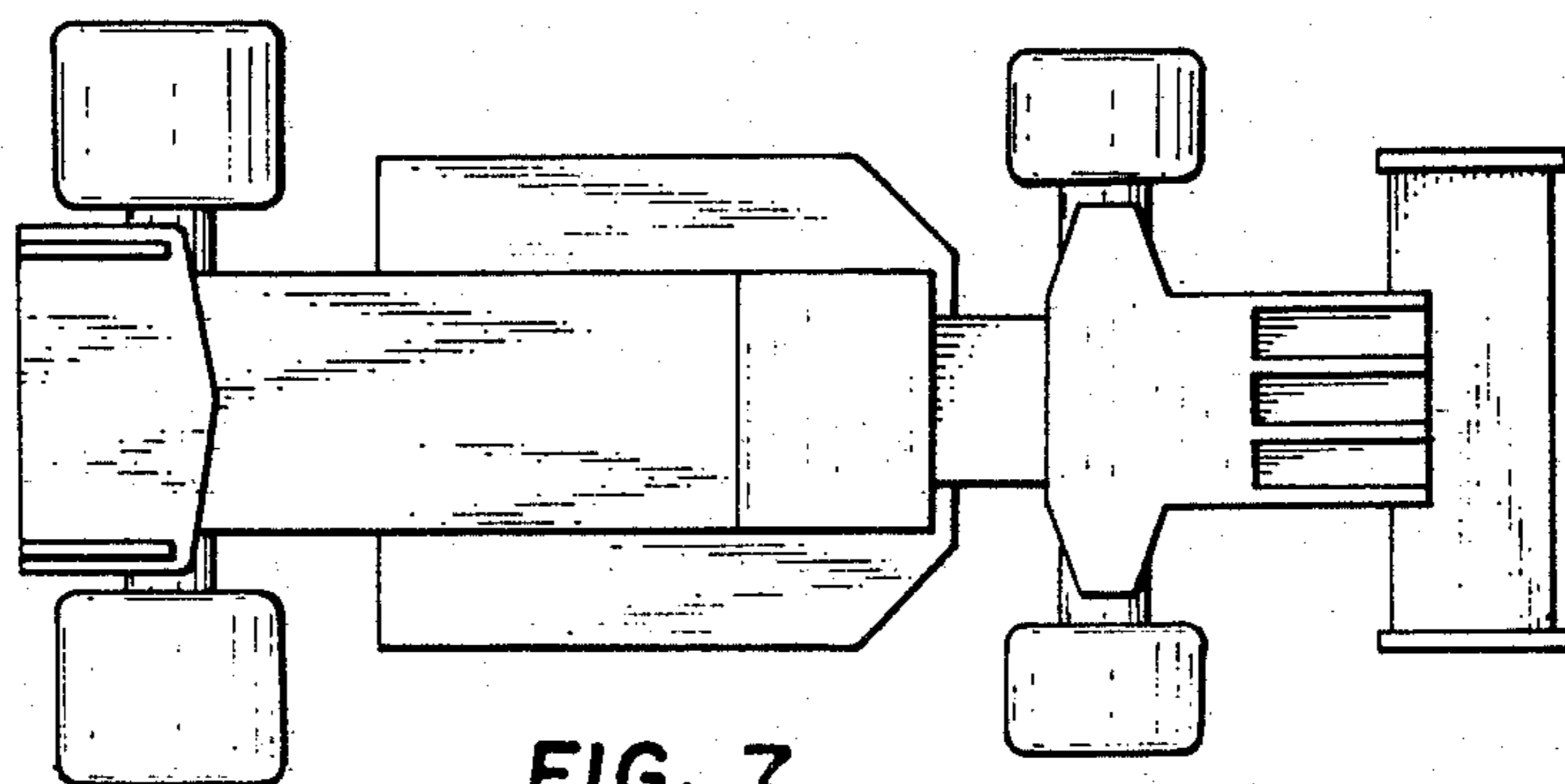


FIG. 7