

[54] **RATTLE**

[75] **Inventor: Erik P. Tapdrup, Virum, Denmark**

[73] **Assignee: Interlego A.G., Baar, Switzerland**

[**] **Term: 14 Years**

[21] **Appl. No.: 387,522**

[22] **Filed: Jun. 11, 1982**

[52] **U.S. Cl. D21/65**

[58] **Field of Search D21/63, 64, 65, 6, 59;
46/189, 193, 177, 1 C; D17/22, 23**

[56] **References Cited**

U.S. PATENT DOCUMENTS

D. 262,552 1/1982 Barton D21/65

OTHER PUBLICATIONS

Childcraft Holiday Catalog, 1981, p. 9, item C, "Happy Face Rattle".

Primary Examiner—Charles A. Rademaker
Attorney, Agent, or Firm—Kane, Dalsimer, Kane,
Sullivan & Kurucz

[57] **CLAIM**

The ornamental design for a rattle, as shown and described.

DESCRIPTION

FIG. 1 is a bottom perspective view of a rattle showing my new design;

FIG. 2 is a front elevational view thereof;

FIG. 3 is a side elevational view thereof;

FIG. 4 is a top plan view thereof; and

FIG. 5 is a bottom plan view thereof.

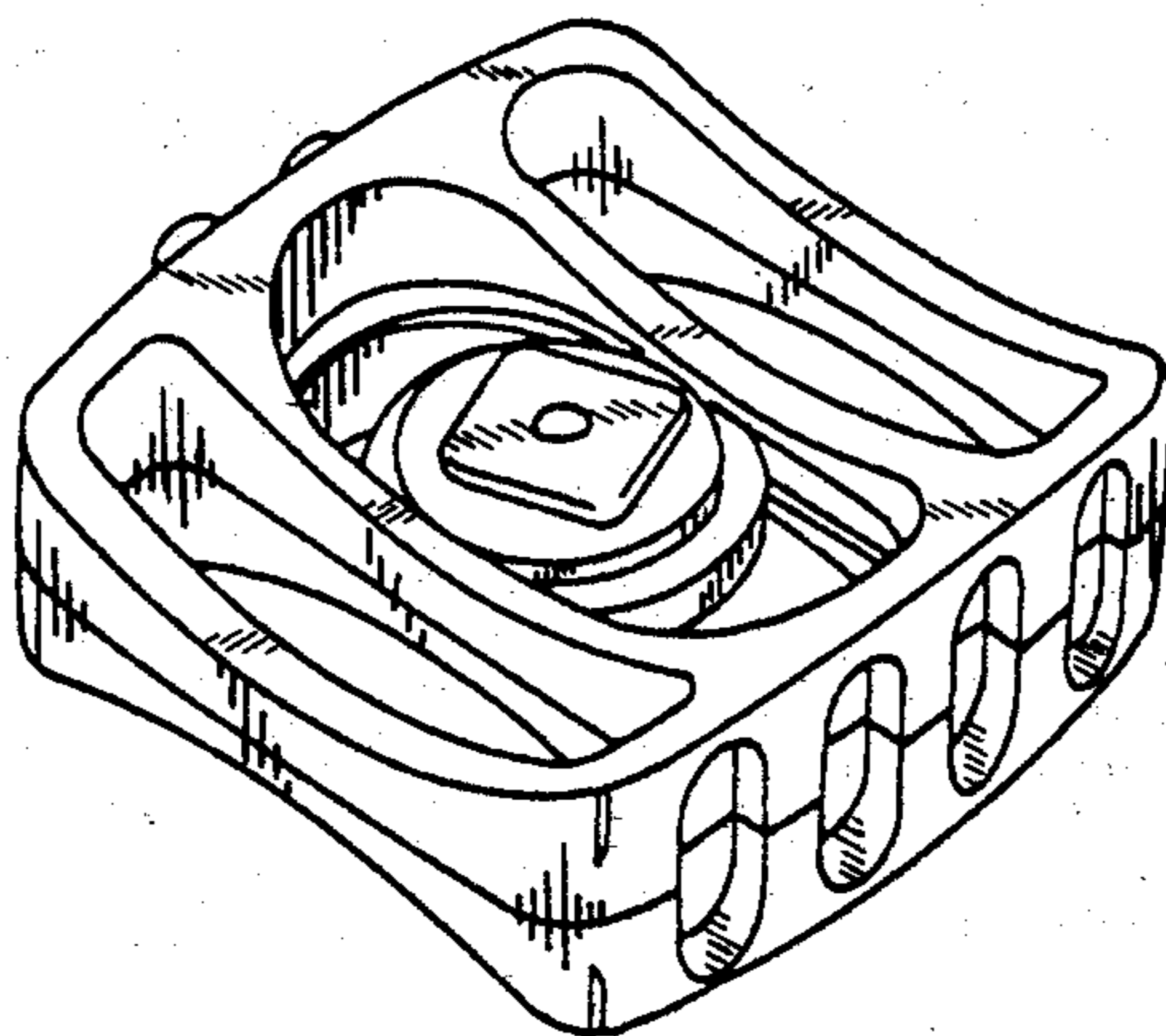


FIG.1

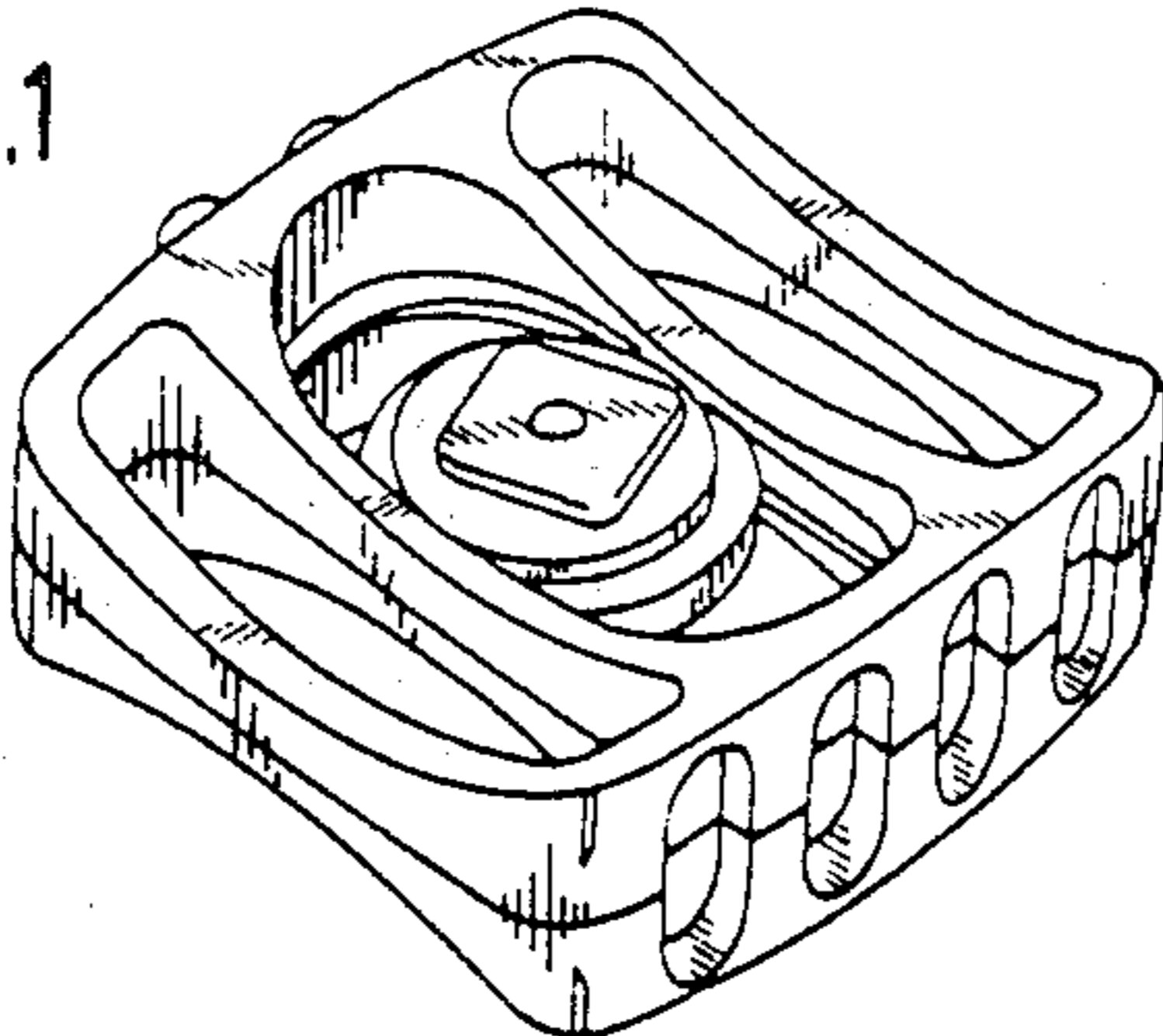


FIG.2

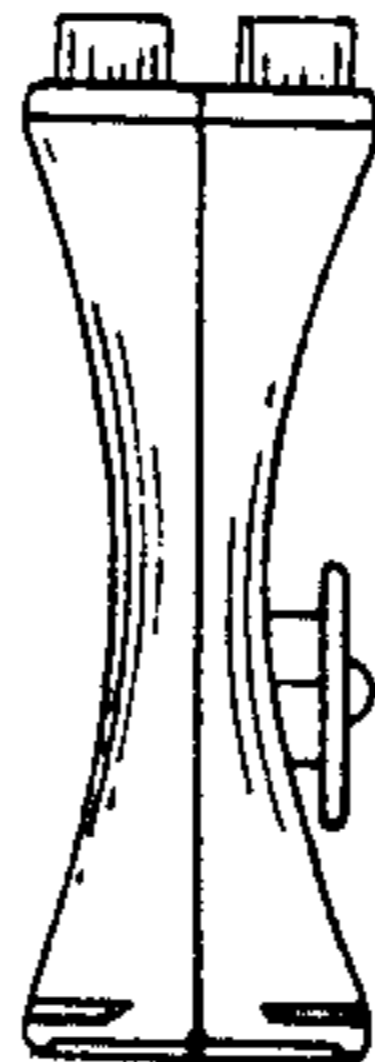
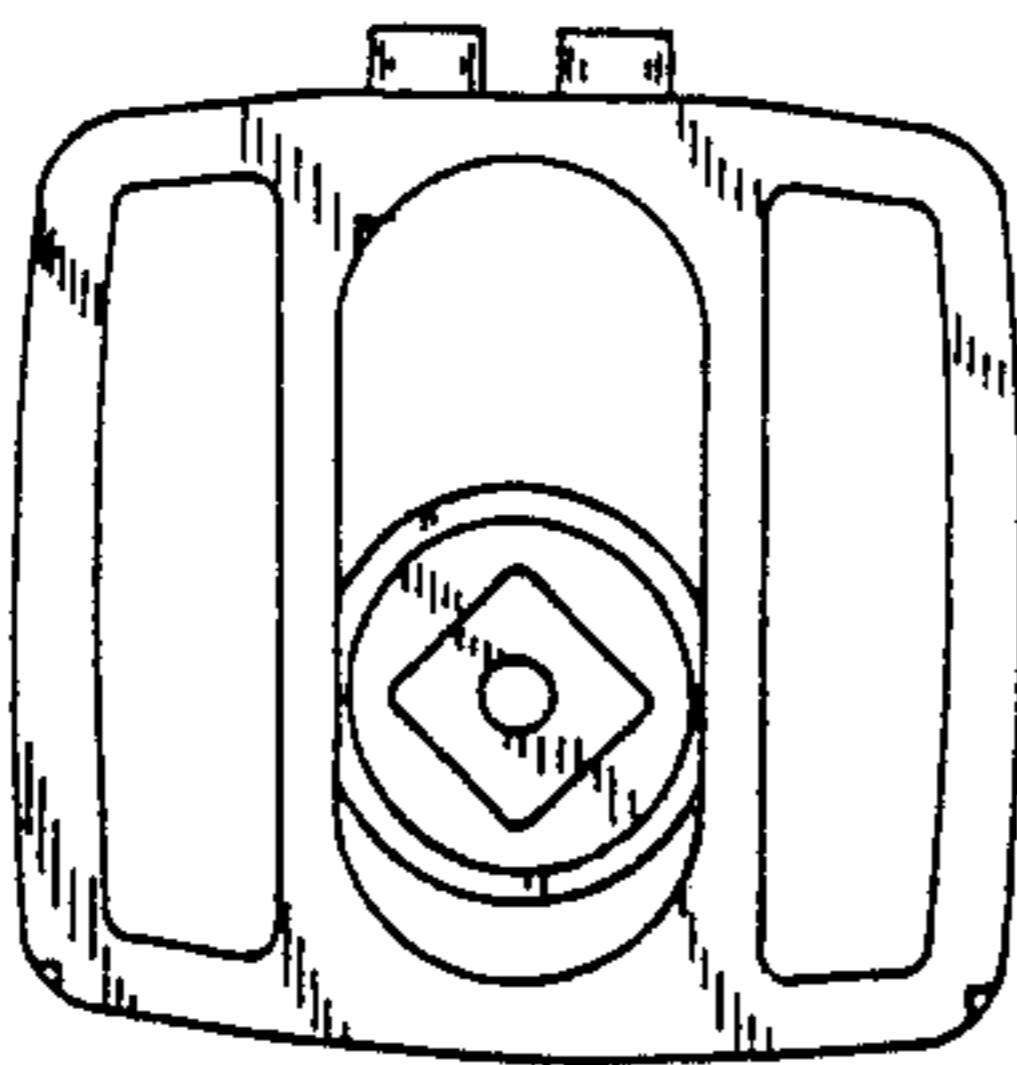


FIG.3

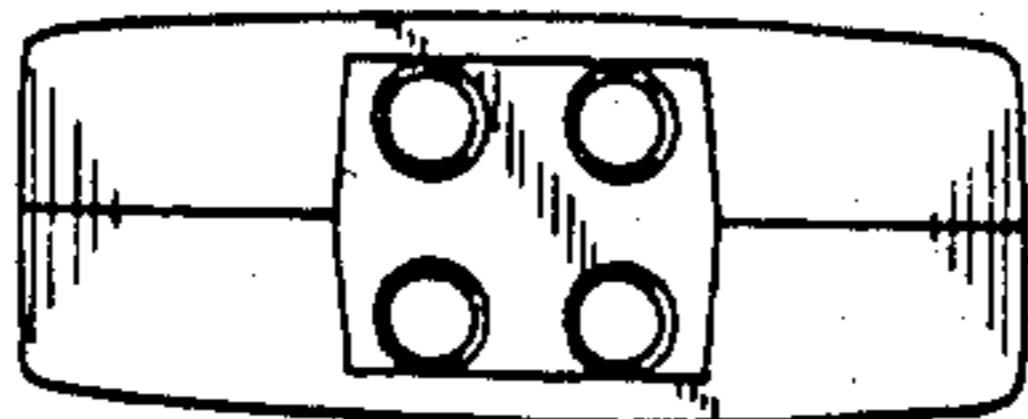


FIG.4



FIG.5