

[54] WORM GEAR

[75] Inventor: Sven Nilsson, Partille, Sweden

[73] Assignee: SKF Nova AB, Gotebort, Sweden

[**] Term: 14 Years

[21] Appl. No.: 443,462

[22] Filed: Nov. 22, 1982

[30] Foreign Application Priority Data

Jun. 18, 1982 [SE] Sweden 82-1616

[52] U.S. Cl. D15/149

[58] Field of Search D15/149; 74/425

[56] References Cited

U.S. PATENT DOCUMENTS

D. 138,216 7/1944 Nardone D15/149
3,710,640 1/1973 Stanger et al. 74/425

3,811,335 5/1974 Hunsberger 74/425
3,851,539 12/1974 Durand 74/425
4,020,715 5/1977 Sollars 74/425

Primary Examiner—B. J. Bullock
Attorney, Agent, or Firm—Eugene E. Renz, Jr.

[57] CLAIM

The ornamental design for a worm gear, substantially as shown and described.

DESCRIPTION

FIG. 1 is a top plan view of a worm gear showing my new design;
FIG. 2 is a rear elevational view thereof, taken from the top of FIG. 1;
FIG. 3 is a front elevational view thereof, taken from the bottom of FIG. 1;
FIG. 4 is a side elevational view taken from the right of FIG. 1;
FIG. 5 is a bottom plan view thereof.

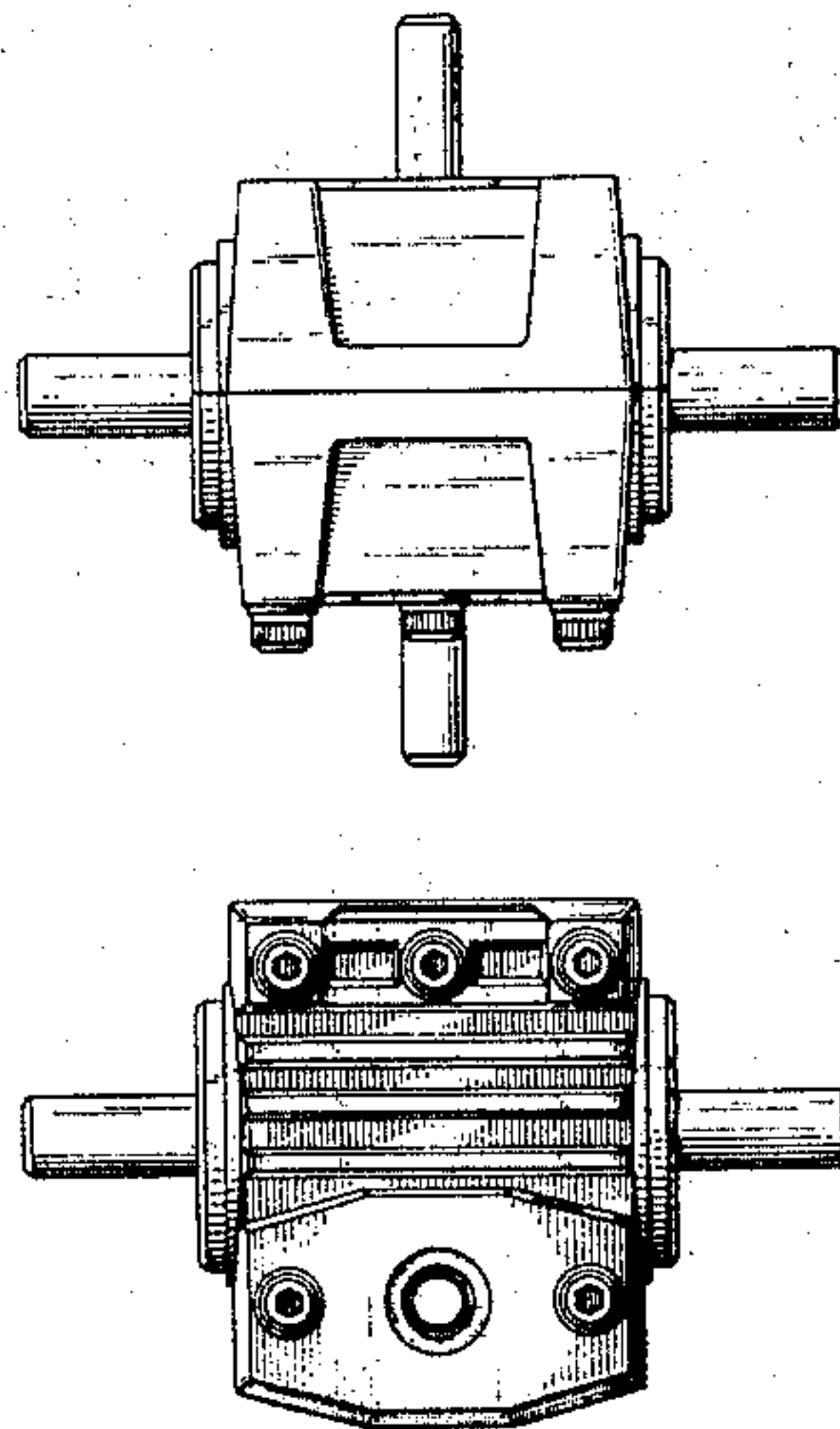


Fig. 2.

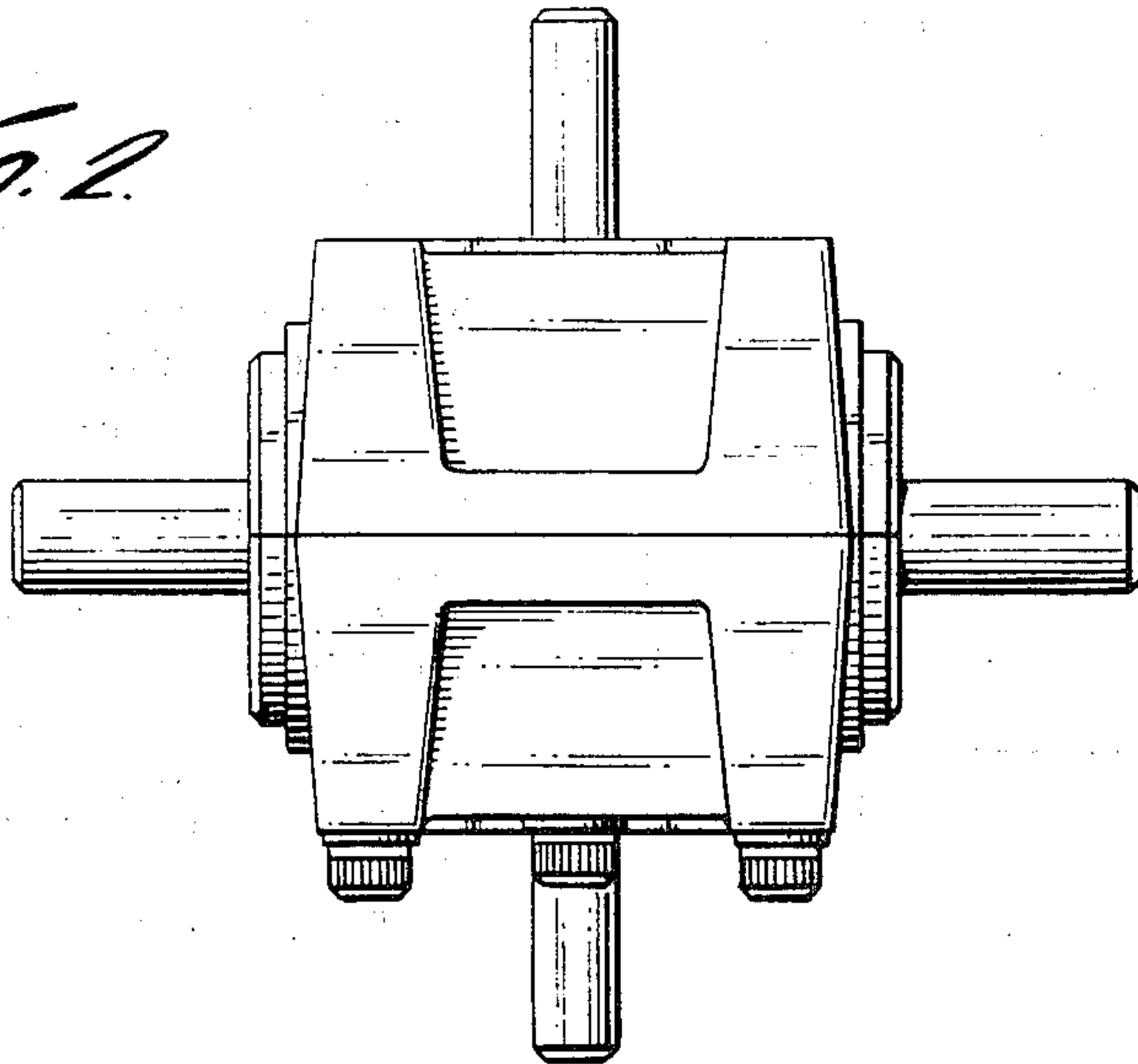


Fig. 1.

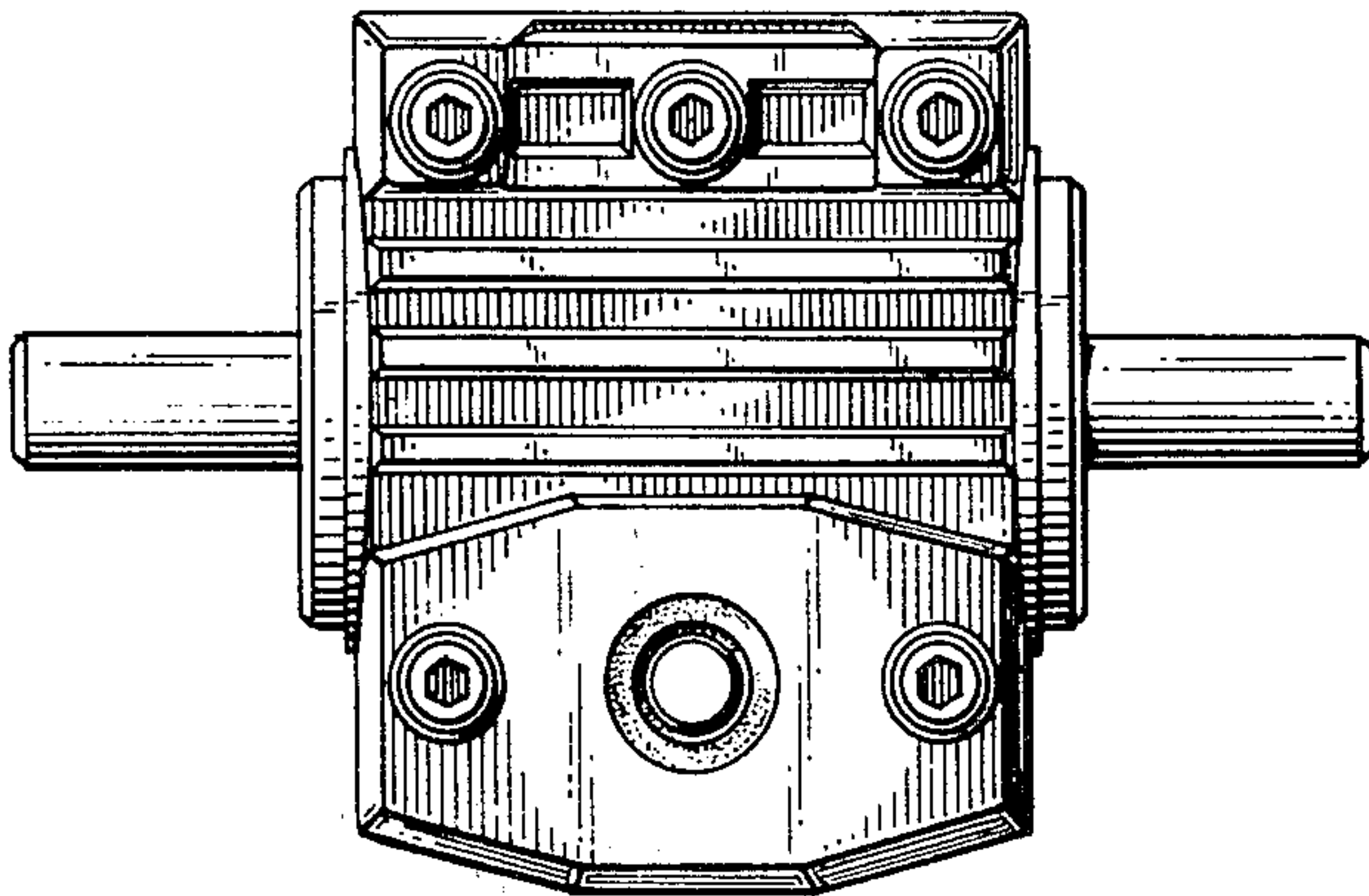
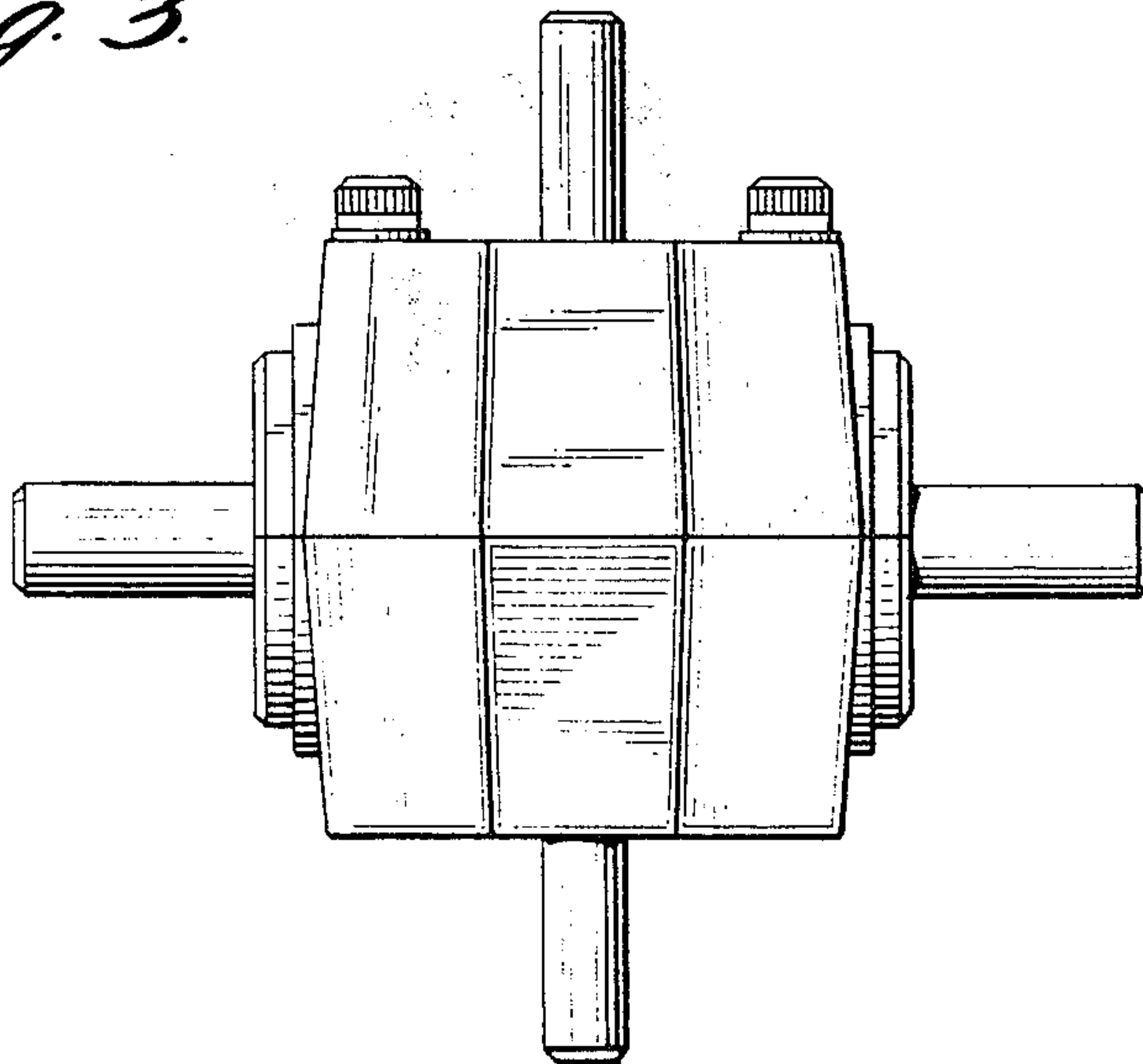


Fig. 3.



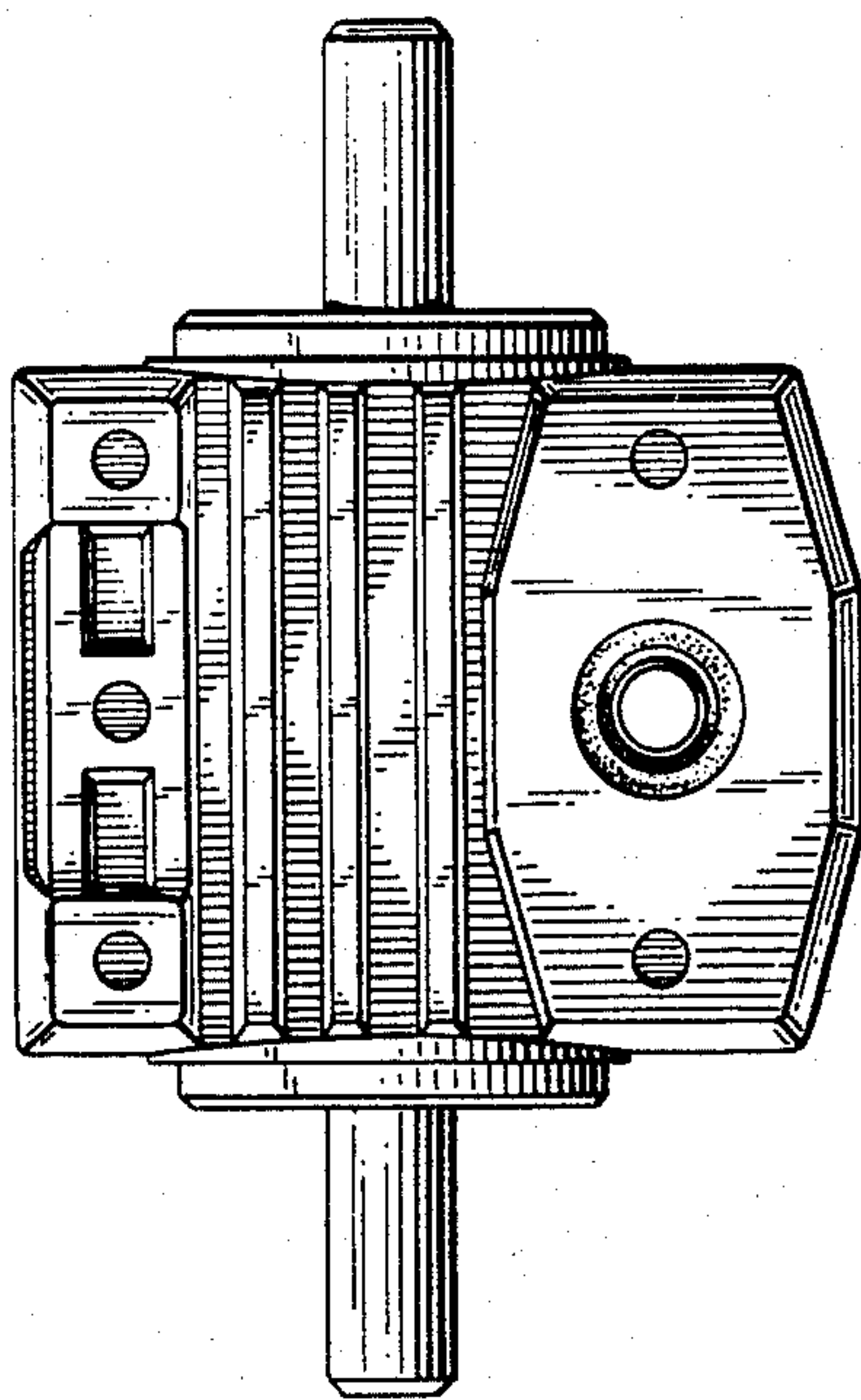


Fig. 5.

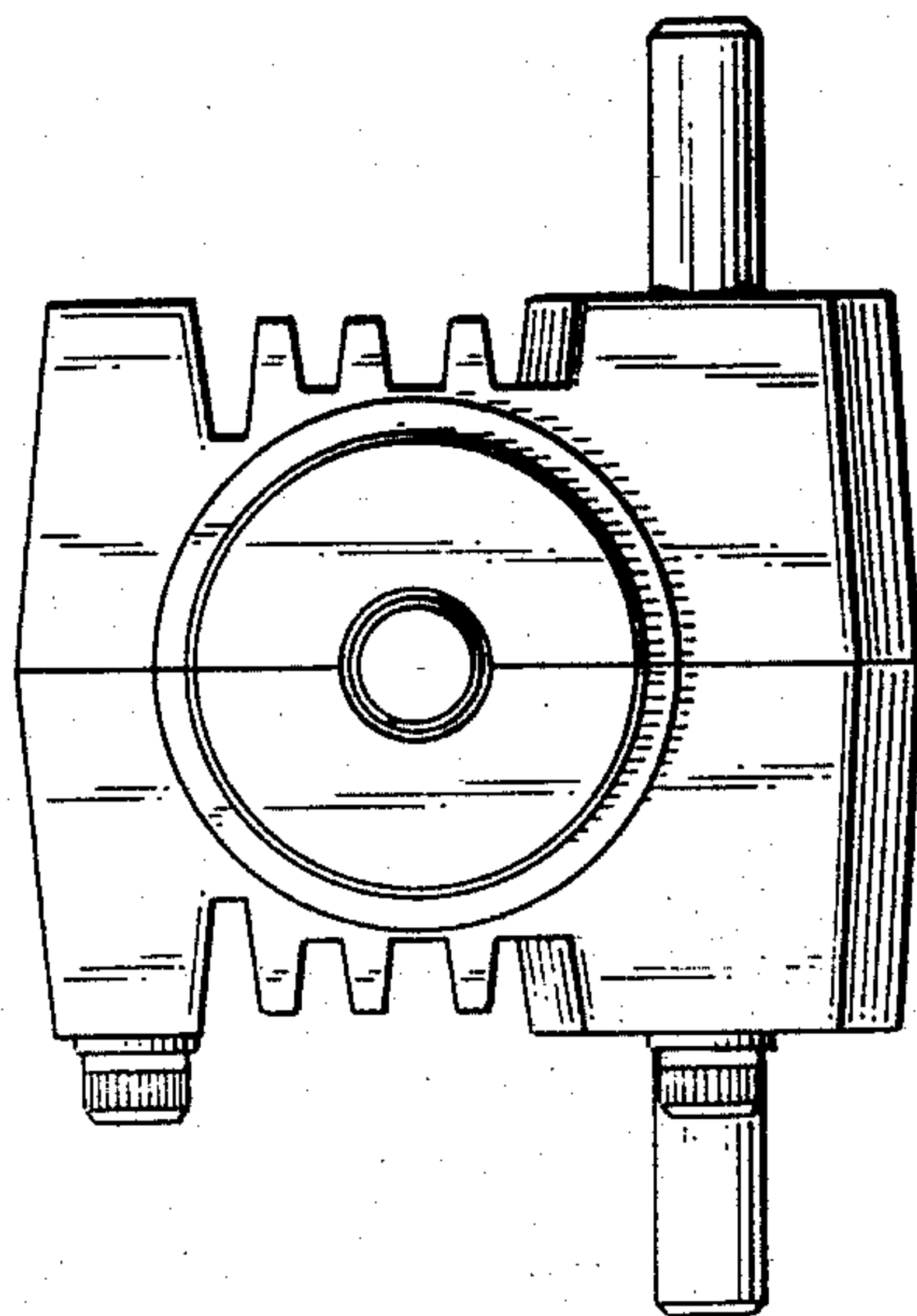


Fig. A.