

[54] TELEPHONE STAND

[75] Inventors: Donald M. Genaro, Haworth, N.J.; John N. McGarvey, Drexel Hill, Pa.; Arthur L. Stern, Jr., Noblesville, Ind.; Alvin R. Tilley, Red Bank, N.J.

[73] Assignee: AT&T Technologies, New York, N.Y.

[**] Term: 14 Years

[21] Appl. No.: 614,752

[22] Filed: May 29, 1984

Related U.S. Application Data

[63] Continuation-in-part of Ser. No. 455,886, Jan. 5, 1983.
[52] U.S. Cl. D14/60; D14/59
[58] Field of Search D14/53, 56, 55, 59, D14/60, 61; 179/178, 100 R, 100 D, 100 C, 184 D

References Cited

U.S. PATENT DOCUMENTS

D. 211,737 7/1968 Dreyfuss D14/53
D. 245,113 7/1977 Genaro et al. D14/60
D. 252,570 8/1979 Genaro et al. D14/60
D. 254,669 4/1980 Janda D14/60
D. 265,401 7/1982 Genaro et al. D14/53

D. 265,559 7/1982 Janda D14/60
D. 265,734 8/1982 Mahan D14/58
D. 268,342 3/1983 Genaro et al. D14/60
D. 271,974 12/1983 Genaro et al. D14/60
D. 272,065 1/1984 Janda D14/61
D. 272,150 1/1984 Genaro et al. D14/60

Primary Examiner—Wallace R. Burke
Assistant Examiner—Horace B. Fay
Attorney, Agent, or Firm—H. L. Newman

[57] CLAIM

The ornamental design for a telephone stand, substantially as shown and described.

DESCRIPTION

FIG. 1 is a perspective view showing our new design for a telephone stand;
FIG. 2 is a top plan view thereof;
FIG. 3 is a right side elevation view thereof;
FIG. 4 is a left side elevation view thereof;
FIG. 5 is an end elevation view thereof, the opposite end being essentially a mirror image thereof;
FIG. 6 is a perspective view of a second embodiment of the telephone stand illustrated in FIGS. 1 through 5;
FIG. 7 is a top plan view thereof;
FIG. 8 is a right side elevation view thereof;
FIG. 9 is a left side elevation view thereof; and
FIG. 10 is an end elevation view thereof, the opposite end being essentially mirror image thereof.

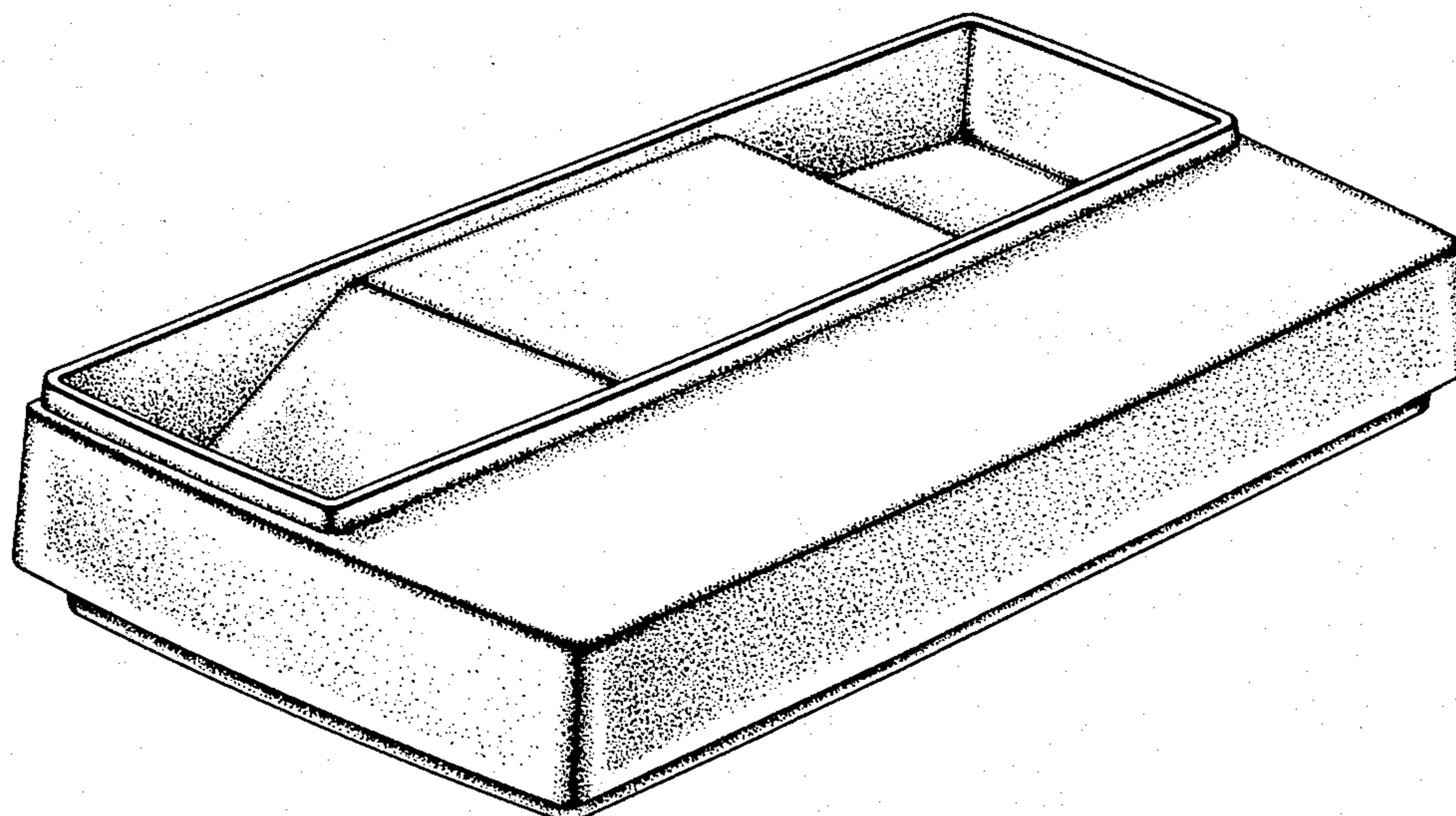


FIG. 1

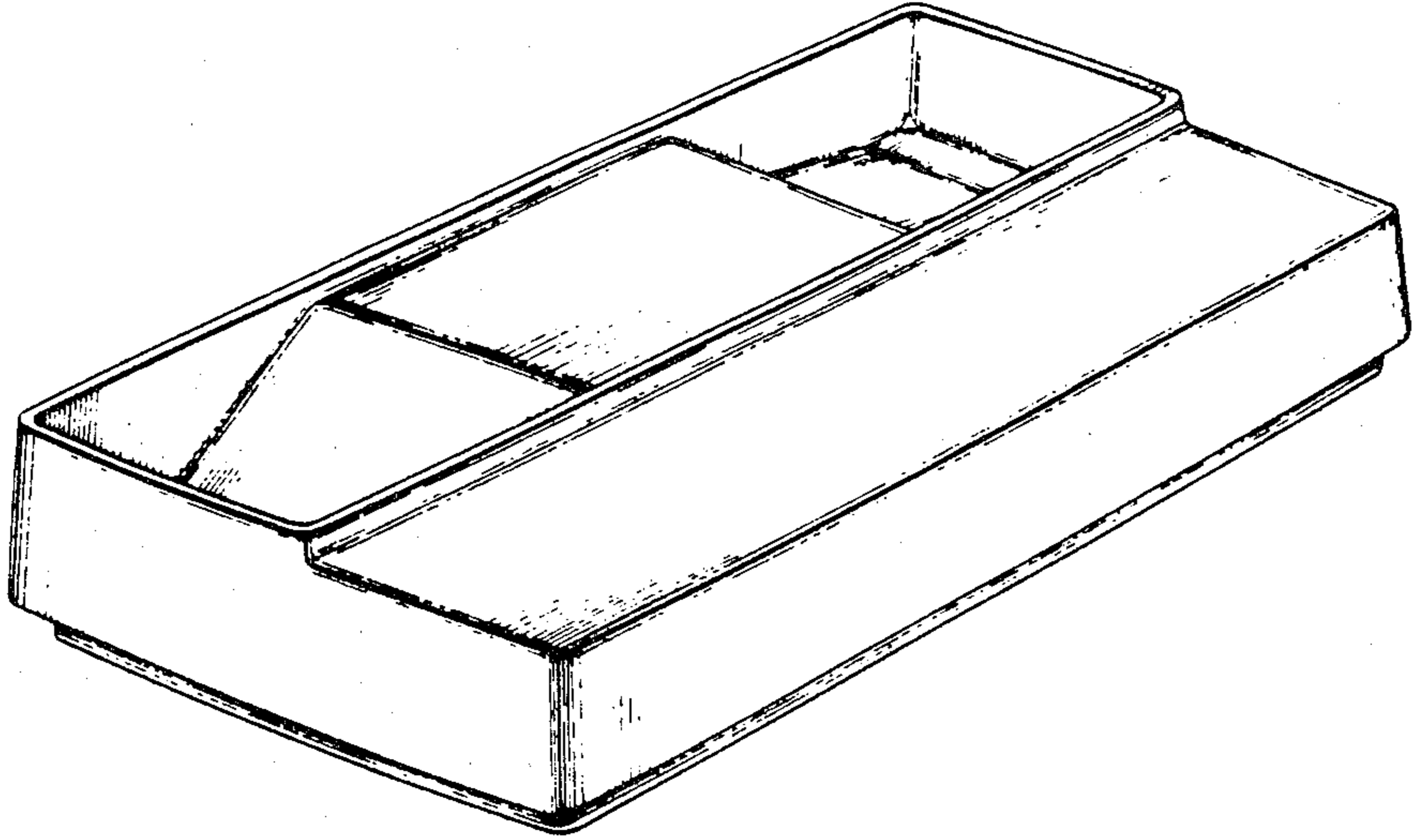


FIG. 2

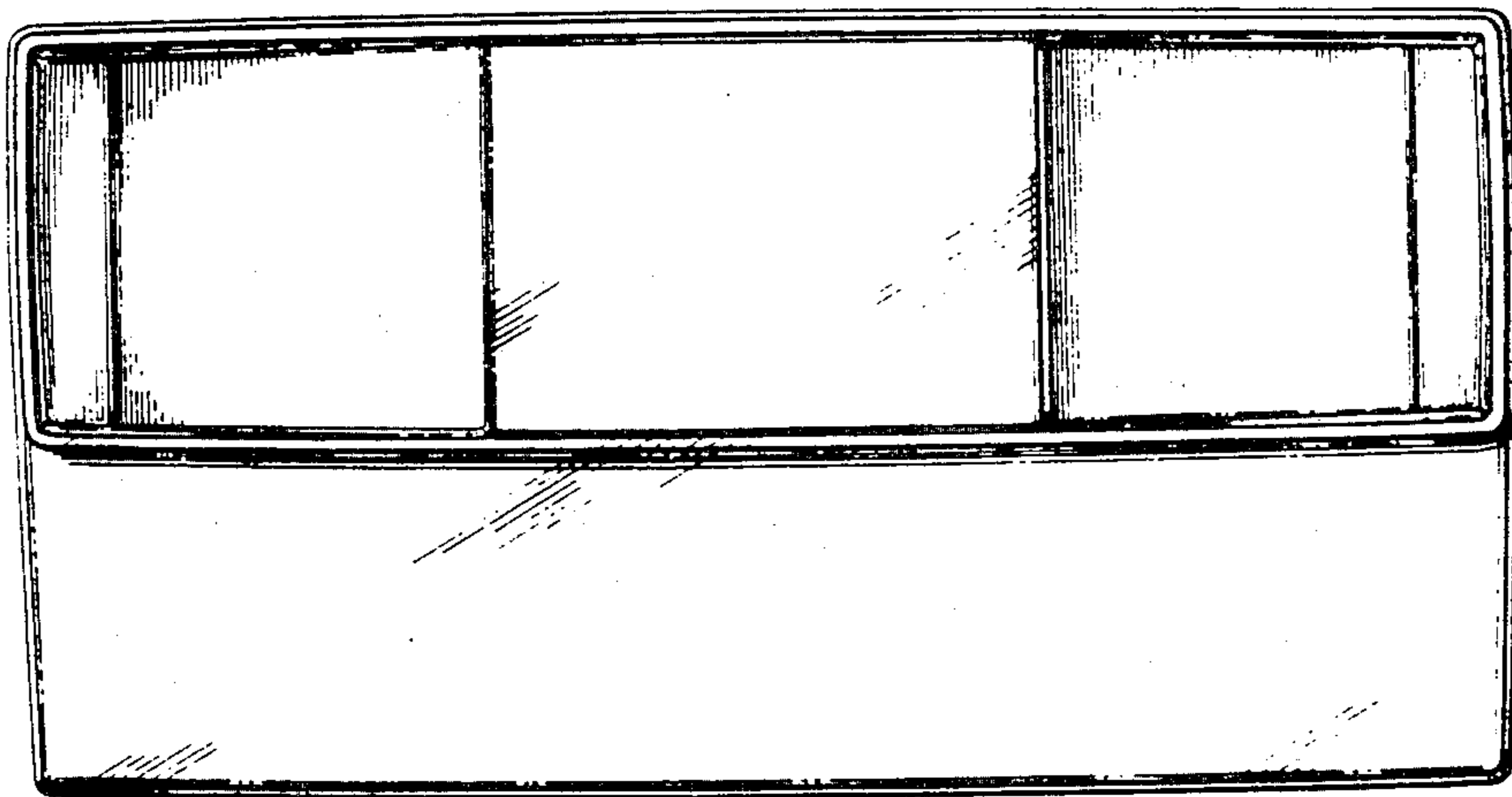


FIG. 3

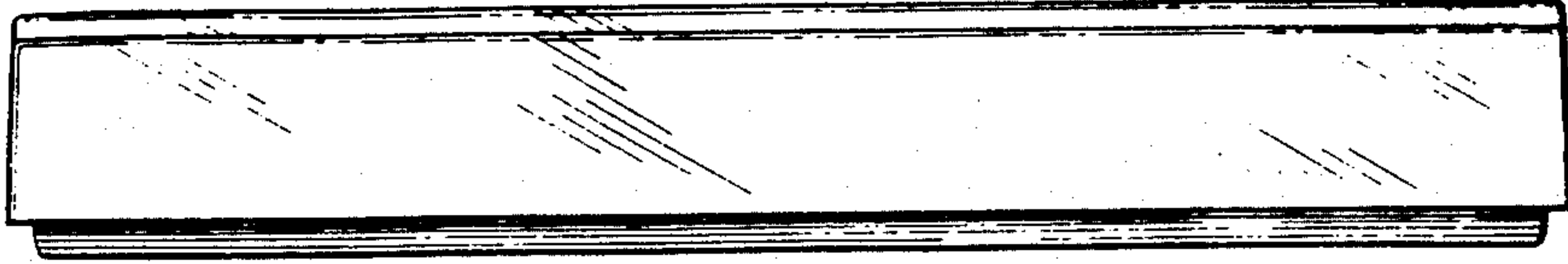


FIG. 4

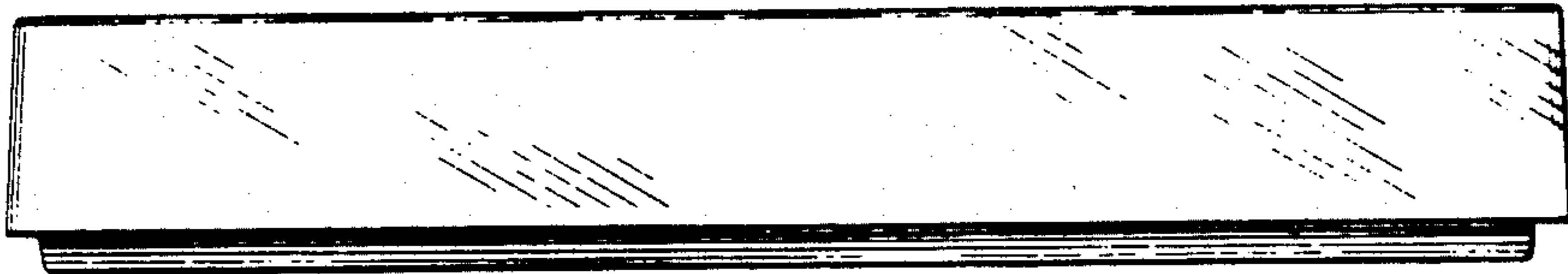


FIG. 5

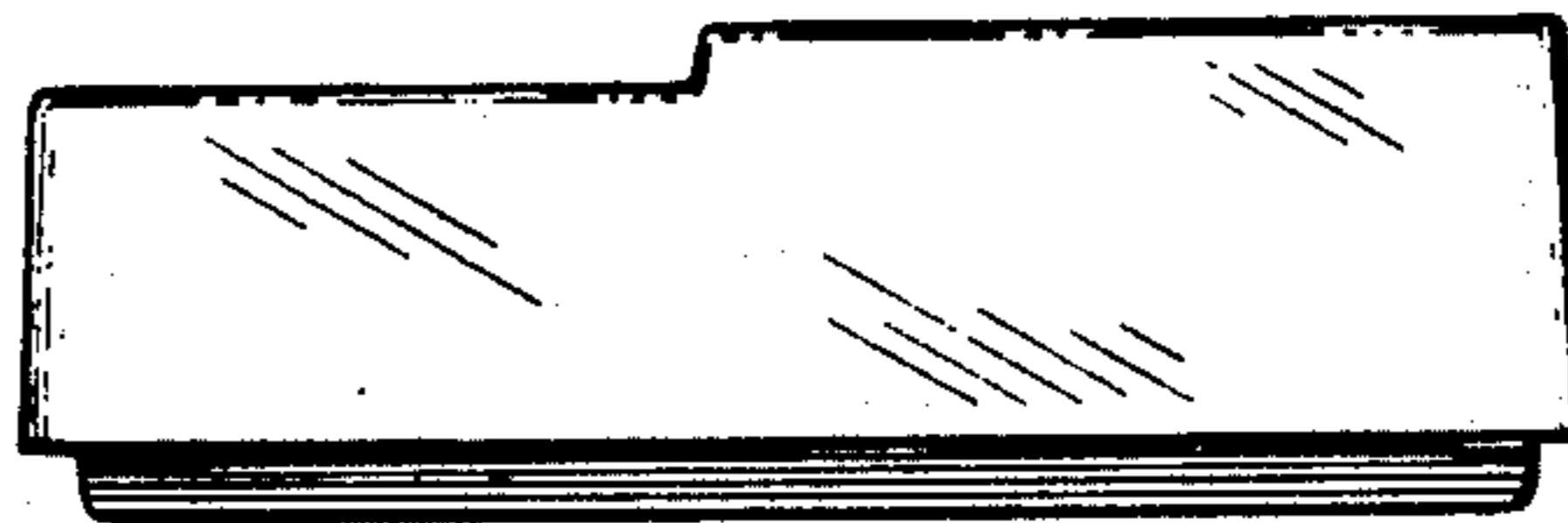


FIG. 6

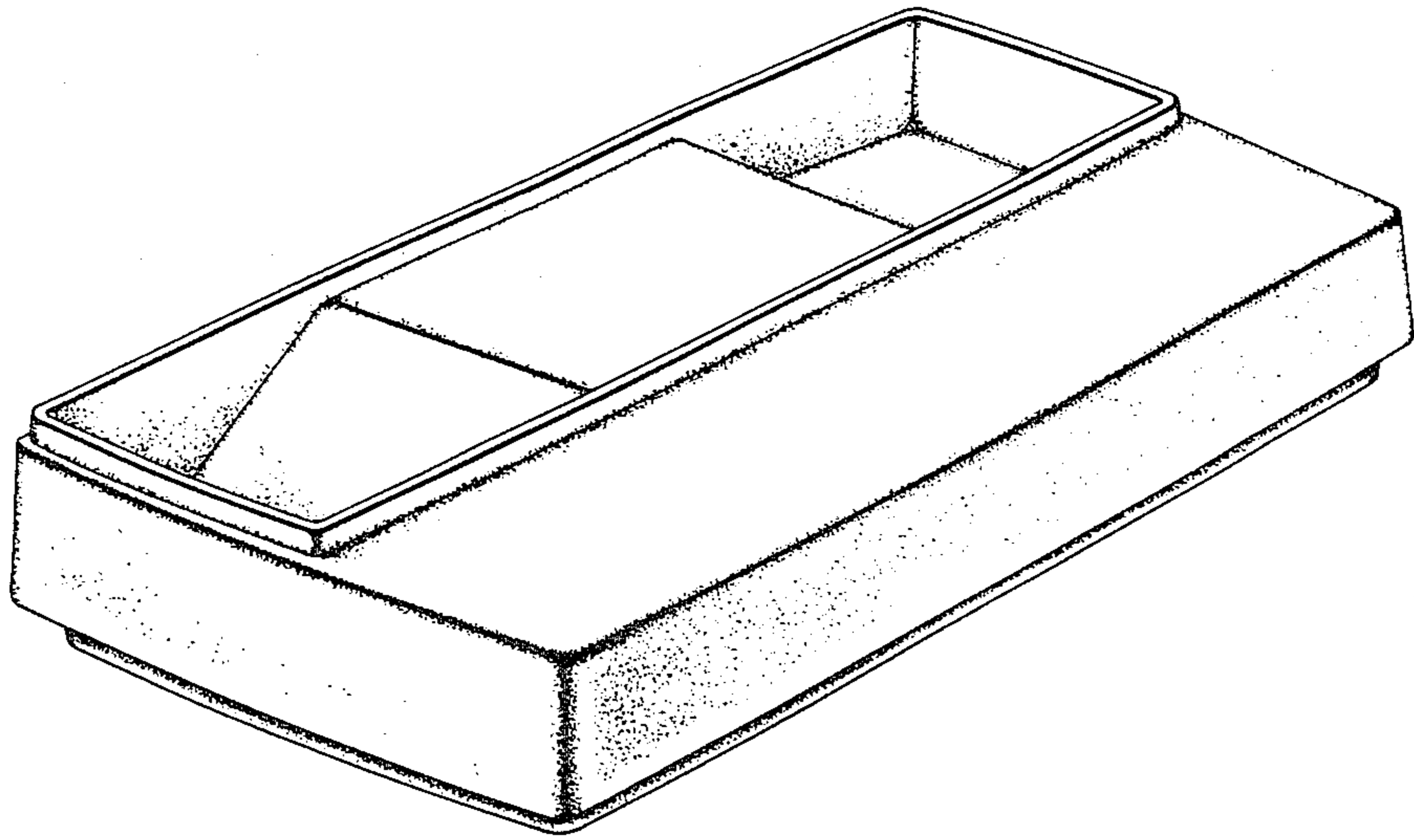


FIG. 7

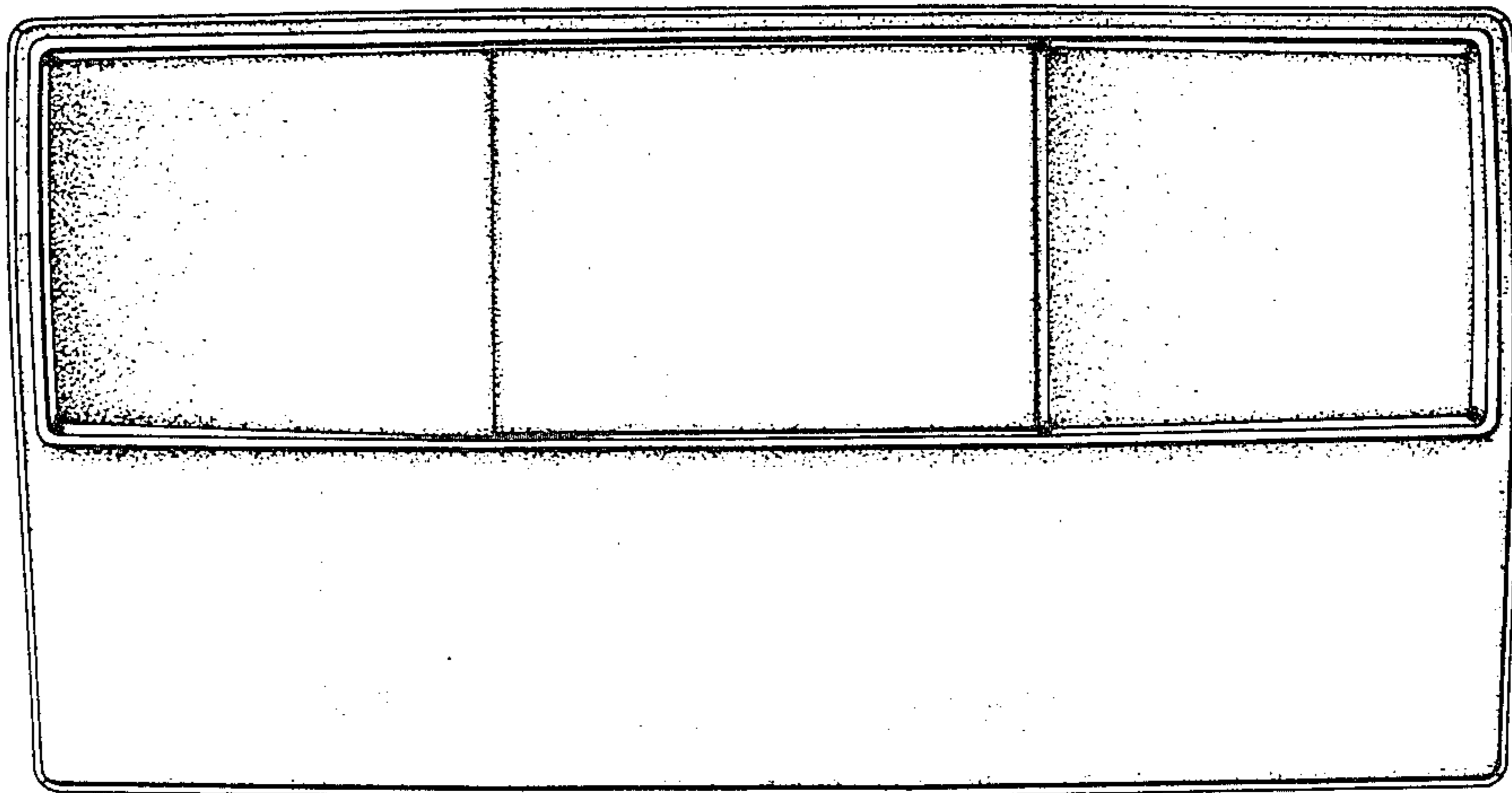


FIG. 8

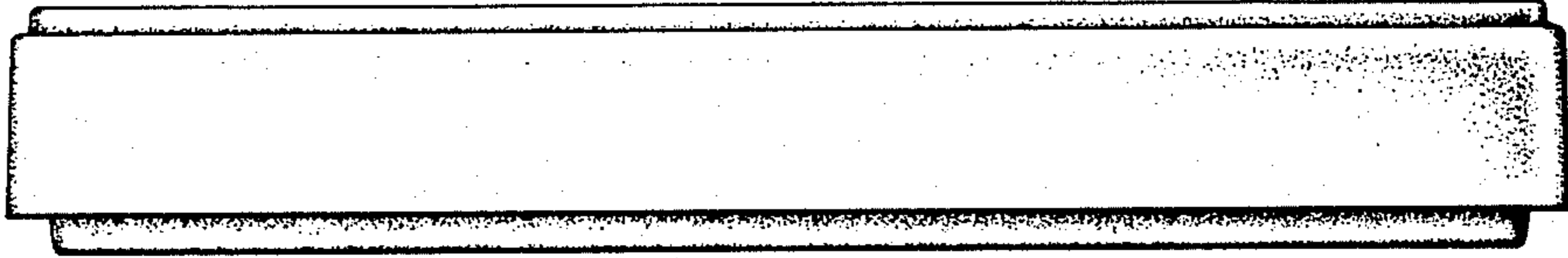


FIG. 9

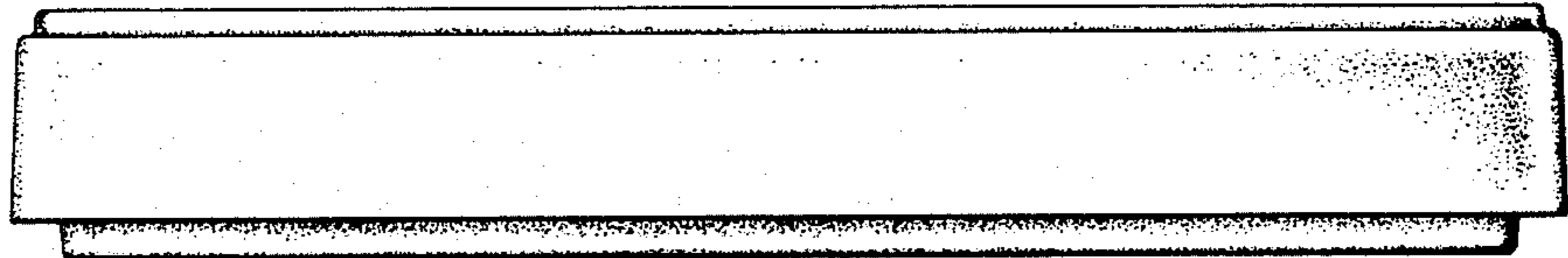


FIG. 10

