

[54] TIRE TREAD AND BUTTRESS

[75] Inventor: Ron L. Messer, Simpsonville, S.C.

[73] Assignee: Compagnie Generale des Etablissements Michelin, Clermont-Ferrand, France

[**] Term: 14 Years

[21] Appl. No.: 423,239

[22] Filed: Sep. 24, 1982

[52] U.S. Cl. D12/151

[58] Field of Search D12/146-151; 152/209 R, 209 B, 209 D

[56] References Cited

U.S. PATENT DOCUMENTS

- D. 236,888 9/1975 Verdier D12/147
- D. 261,130 10/1981 Amarger D12/147

OTHER PUBLICATIONS

1981 Tread Design Guide, p. 202, Ram Torc Trac Tire, second tire in from bottom left side of page. Tread Design Guide 1982, p. 142, General ND Waste Hauler Special, p. 209, Alliance Rear Wheel.

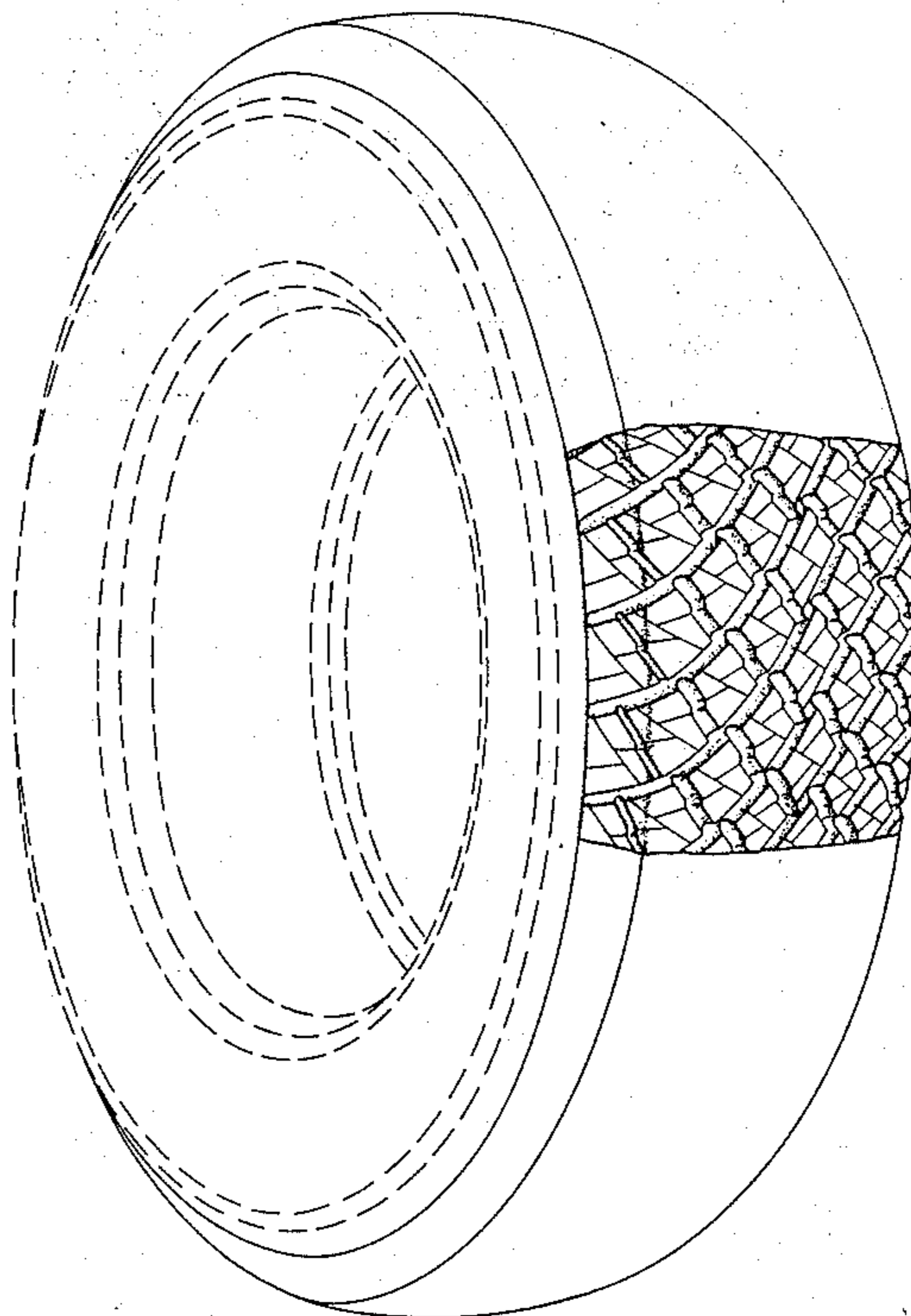
Primary Examiner—James M. Gandy
Attorney, Agent, or Firm—Brumbaugh, Graves, Donohue & Raymond

[57] CLAIM

The ornamental design for a tire tread and buttress, as shown and described.

DESCRIPTION

FIG. 1 is a front elevational view of a tire tread and buttress, it being understood that the pattern is repeated throughout the circumference of the tread and buttress as shown schematically by solid lines; and FIG. 2 is a perspective view thereof, it being understood that the broken line showing of the tire sidewall and bead portions are for illustrative purposes only.



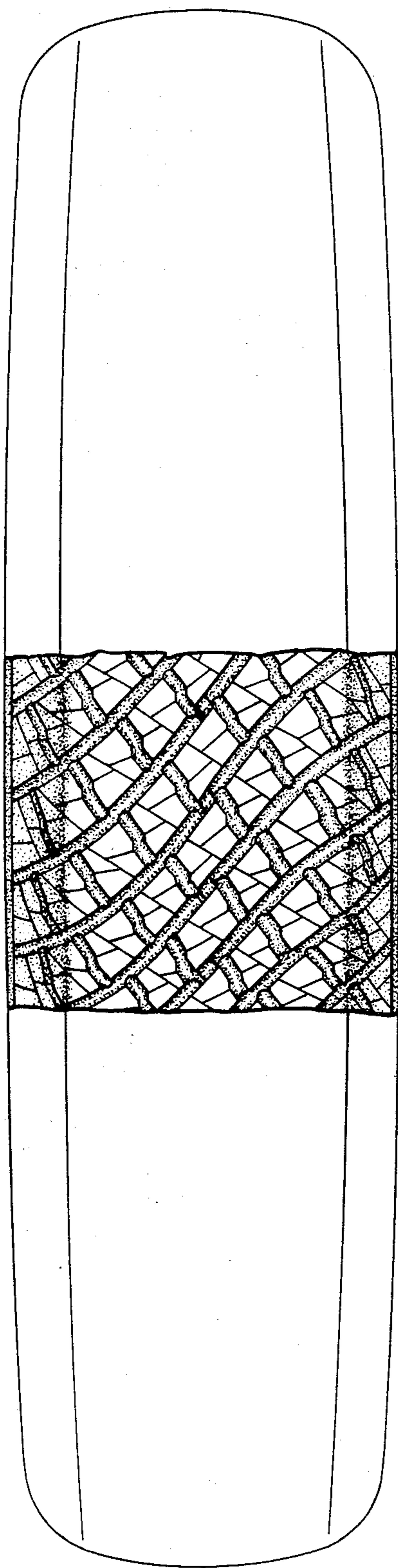


FIG. 1

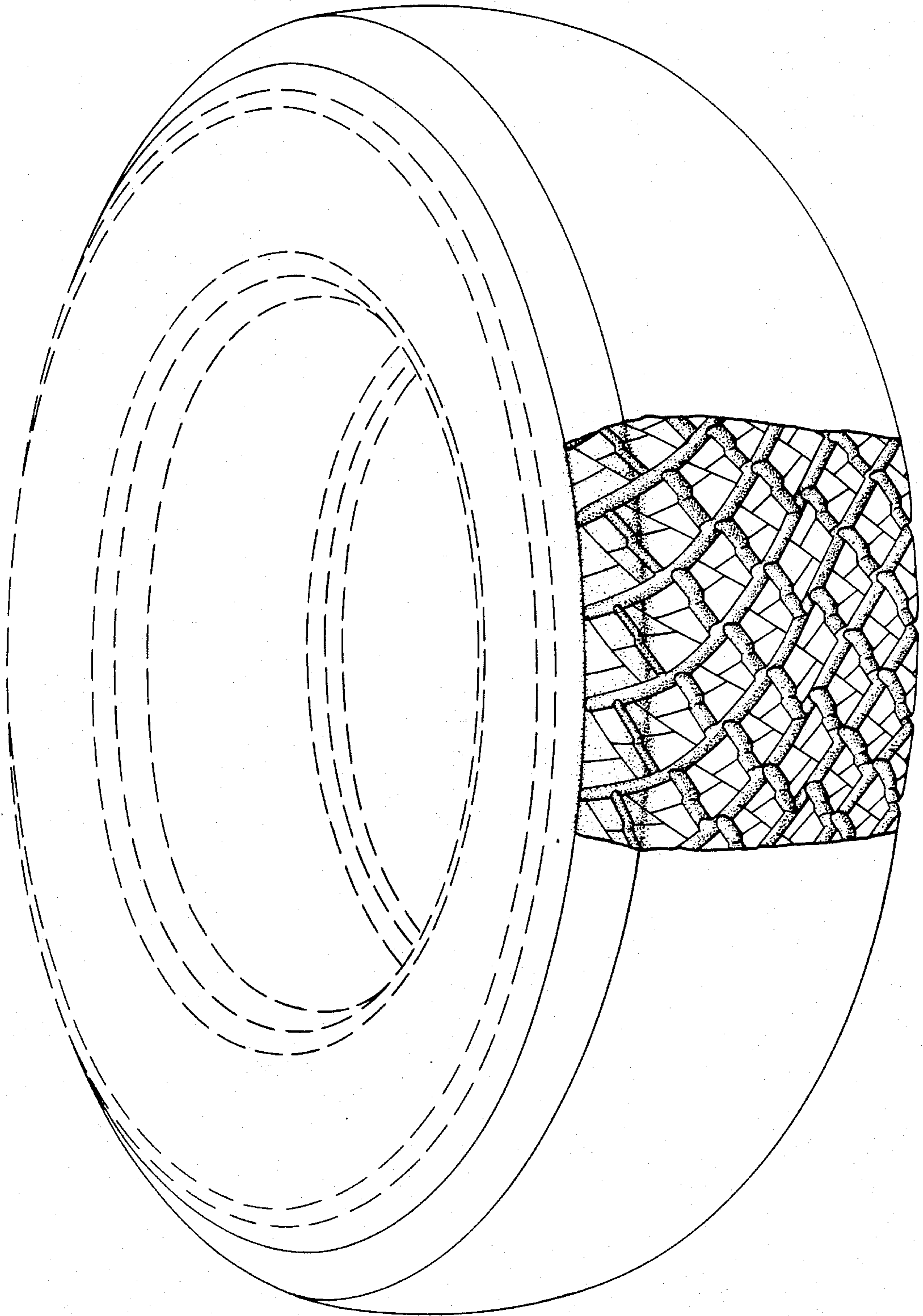


FIG. 2