

[54] PACKAGING CONTAINER FOR A STOPCOCK OR THE LIKE

[75] Inventor: Raymond Lewandowski, New Providence, N.J.

[73] Assignee: Becton, Dickinson and Company, Paramus, N.J.

[\*\*] Term: 14 Years

[21] Appl. No.: 373,942

[22] Filed: May 3, 1982

[52] U.S. Cl. .... D9/415; D9/425

[58] Field of Search ..... 206/462, 460, 461, 471; D9/415, 424, 425

[56] References Cited

U.S. PATENT DOCUMENTS

D. 214,996	8/1969	Cline	.....	D9/415
D. 252,797	9/1979	Fuller	.....	D9/415
4,249,658	2/1981	Ogura	.....	206/461 X
4,359,161	11/1982	Sinoff	.....	206/461 X

Primary Examiner—Robert C. Spangler  
Attorney, Agent, or Firm—Richard J. Rodrick; John L. Voellmicke

[57] CLAIM

The ornamental design for a packaging container for a stopcock or the like, as shown and described.

DESCRIPTION

FIG. 1 is a perspective view of a packaging container for a stopcock showing my new design;

FIG. 2 is a side elevational view;

FIG. 3 is an elevational view looking from the left of FIG. 2;

FIG. 4 is an elevational view showing the side opposite that seen in FIG. 2;

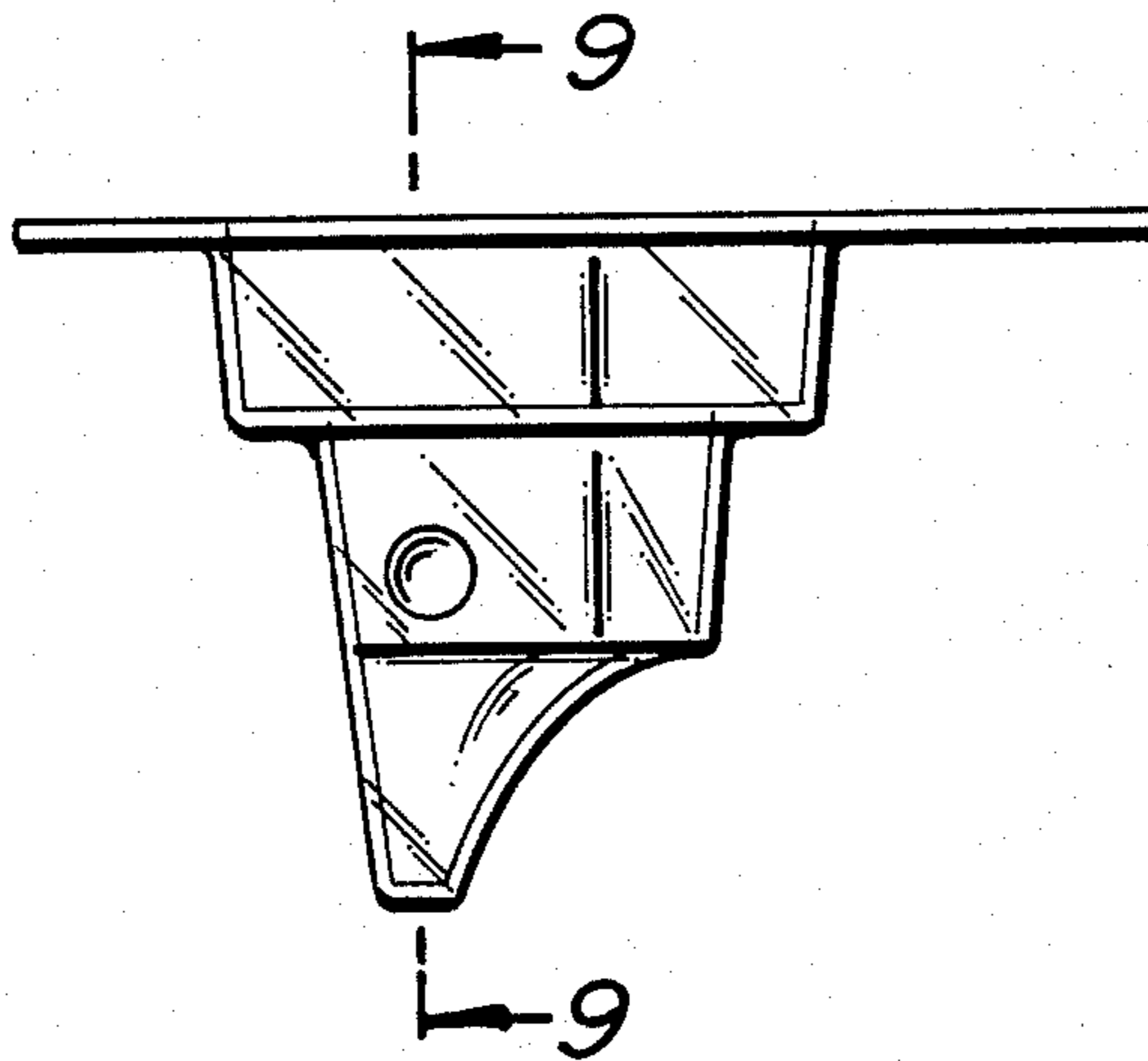
FIG. 5 is an elevational view looking from the right of FIG. 2;

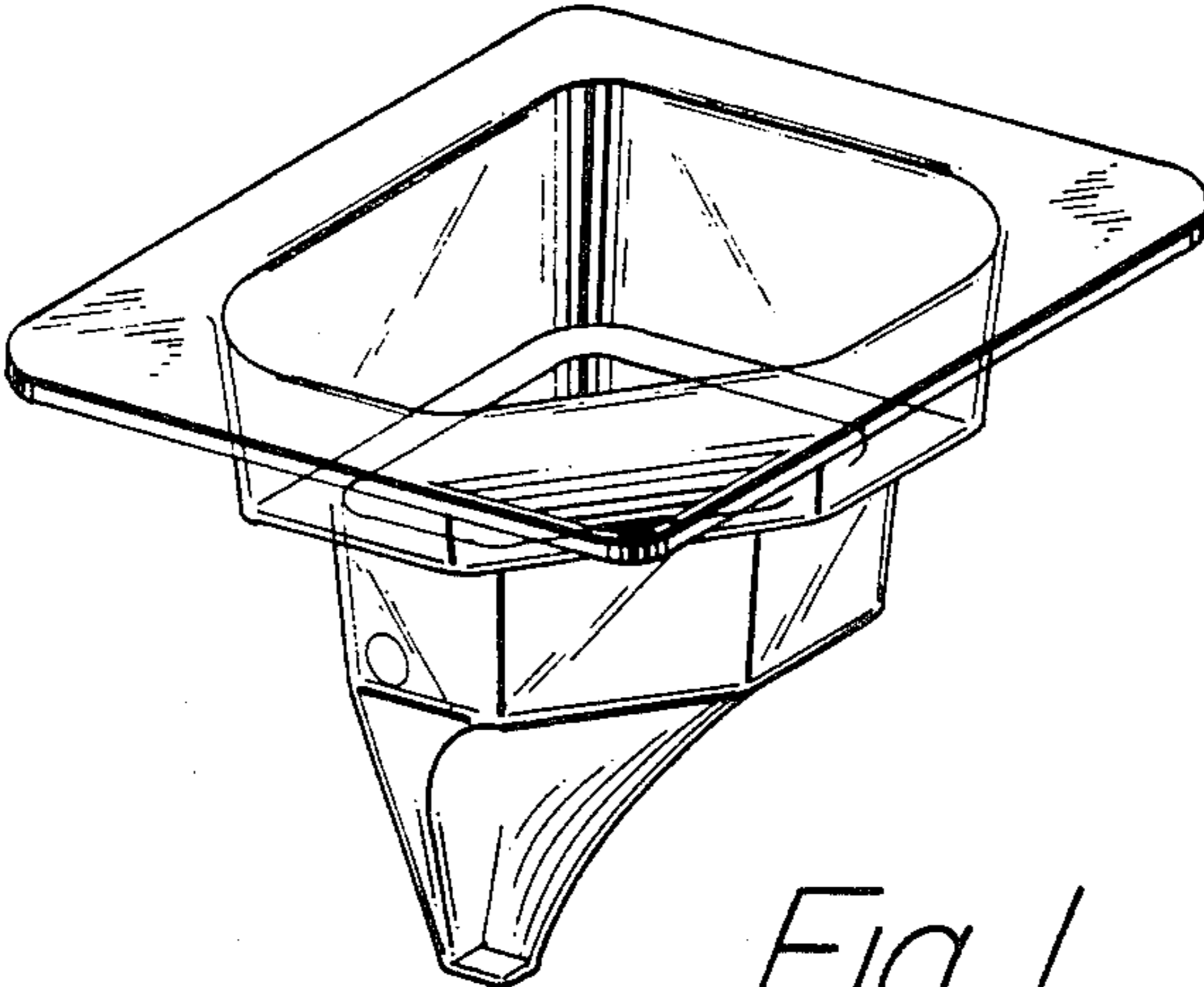
FIG. 6 is a bottom plan view;

FIG. 7 is a top plan view;

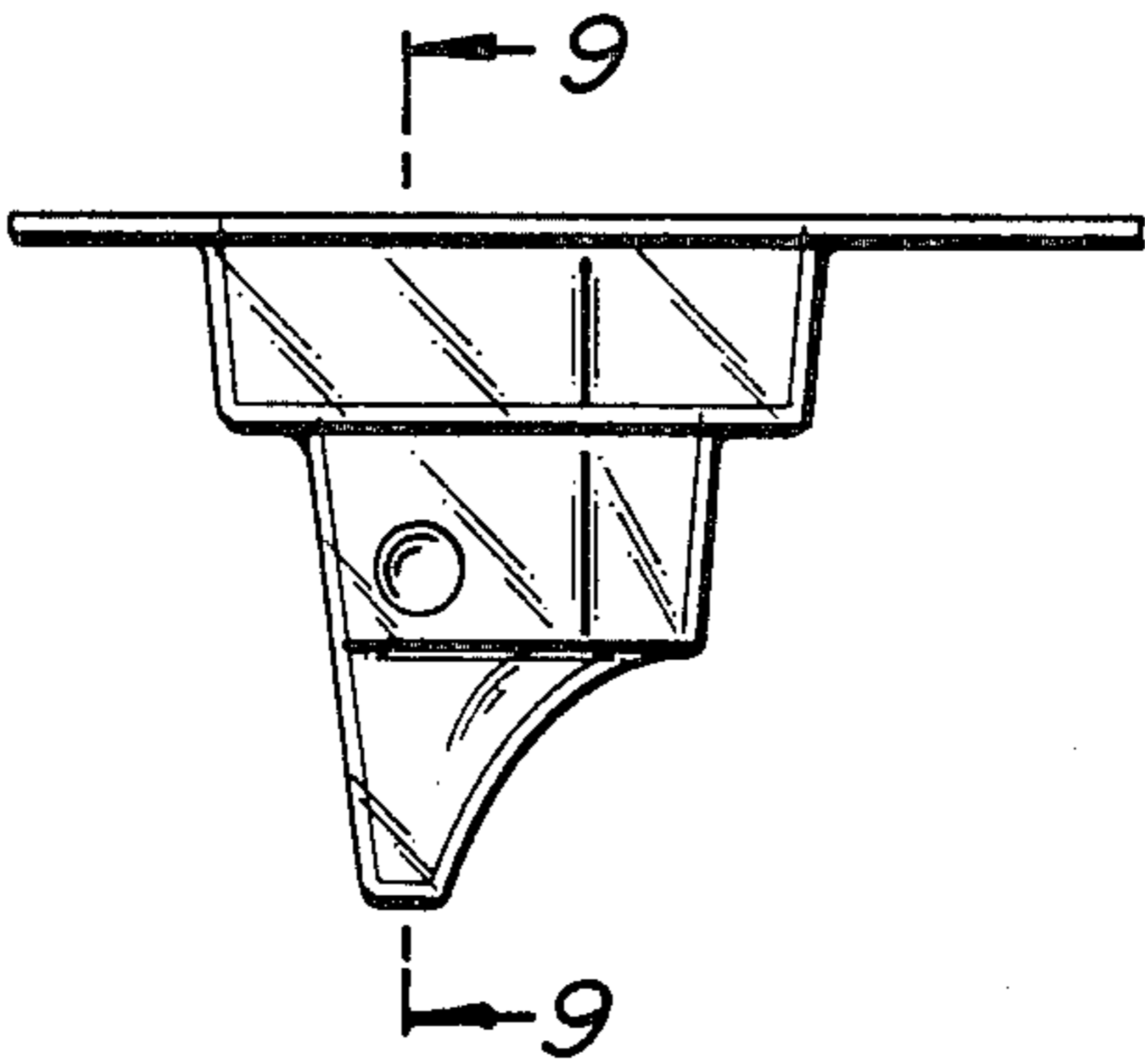
FIG. 8 is a sectional view taken on line 8—8 of FIG. 3; and

FIG. 9 is a sectional view taken on line 9—9 of FIG. 2.

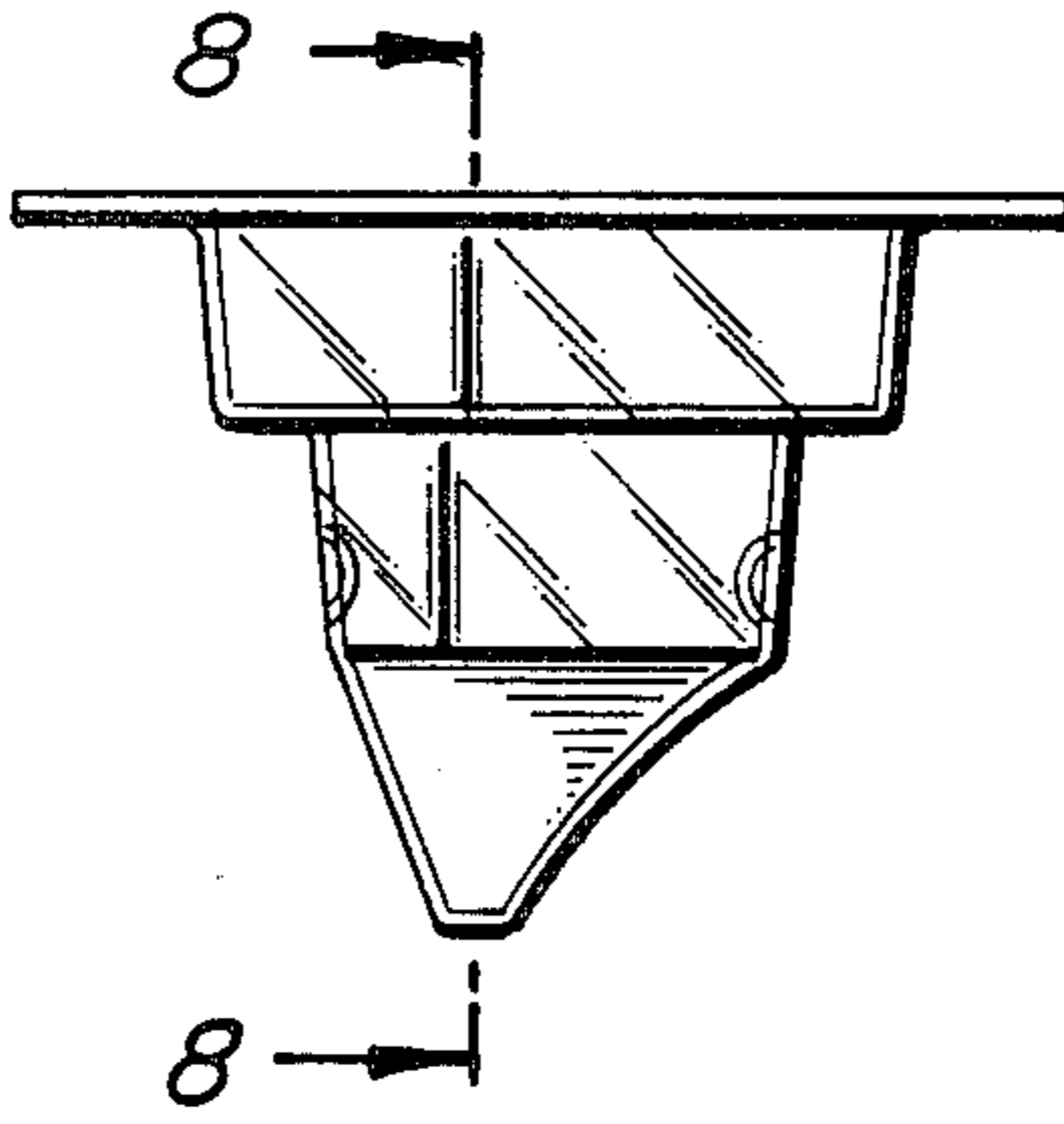




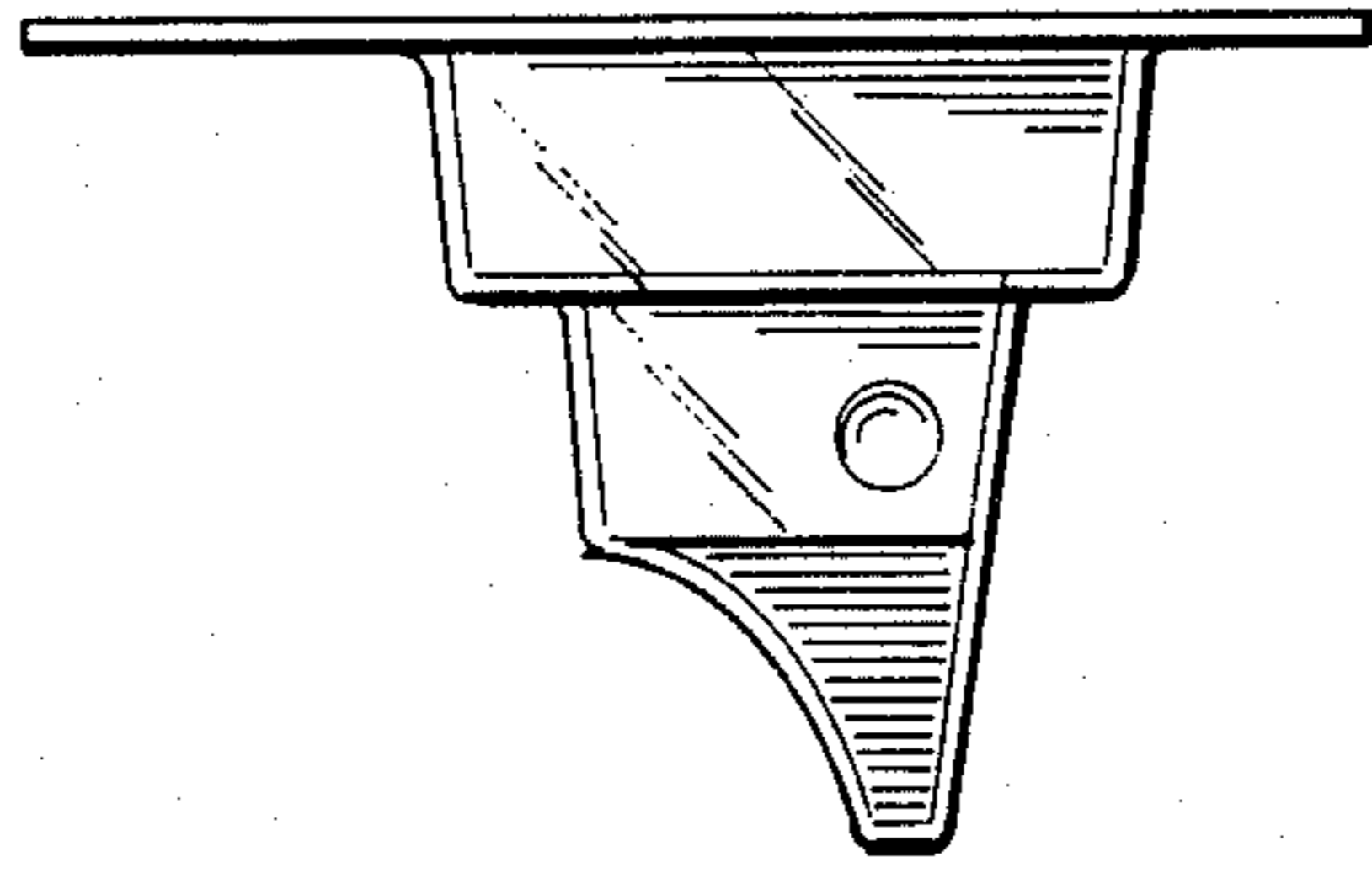
*Fig. 1*



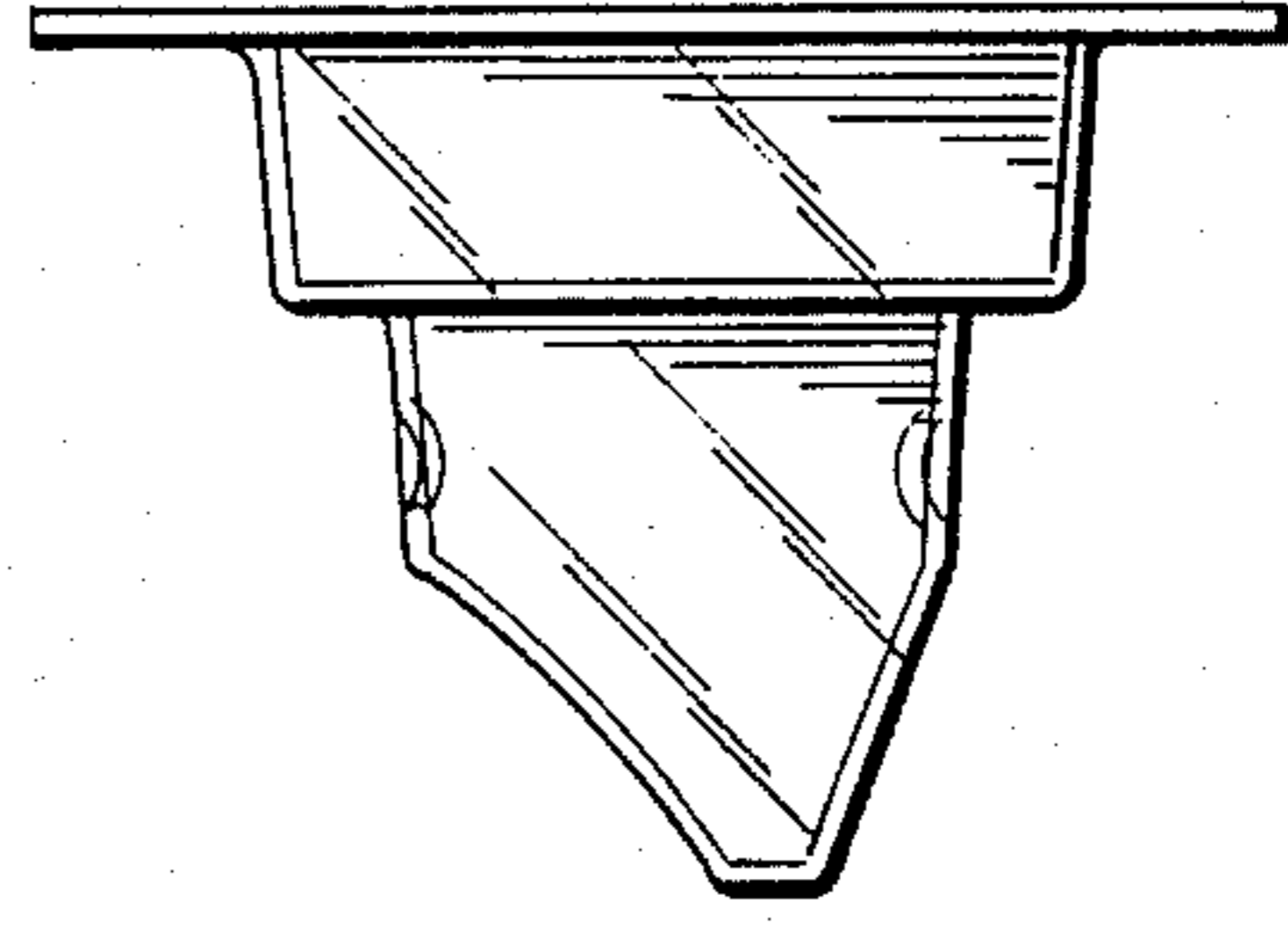
*Fig. 2*



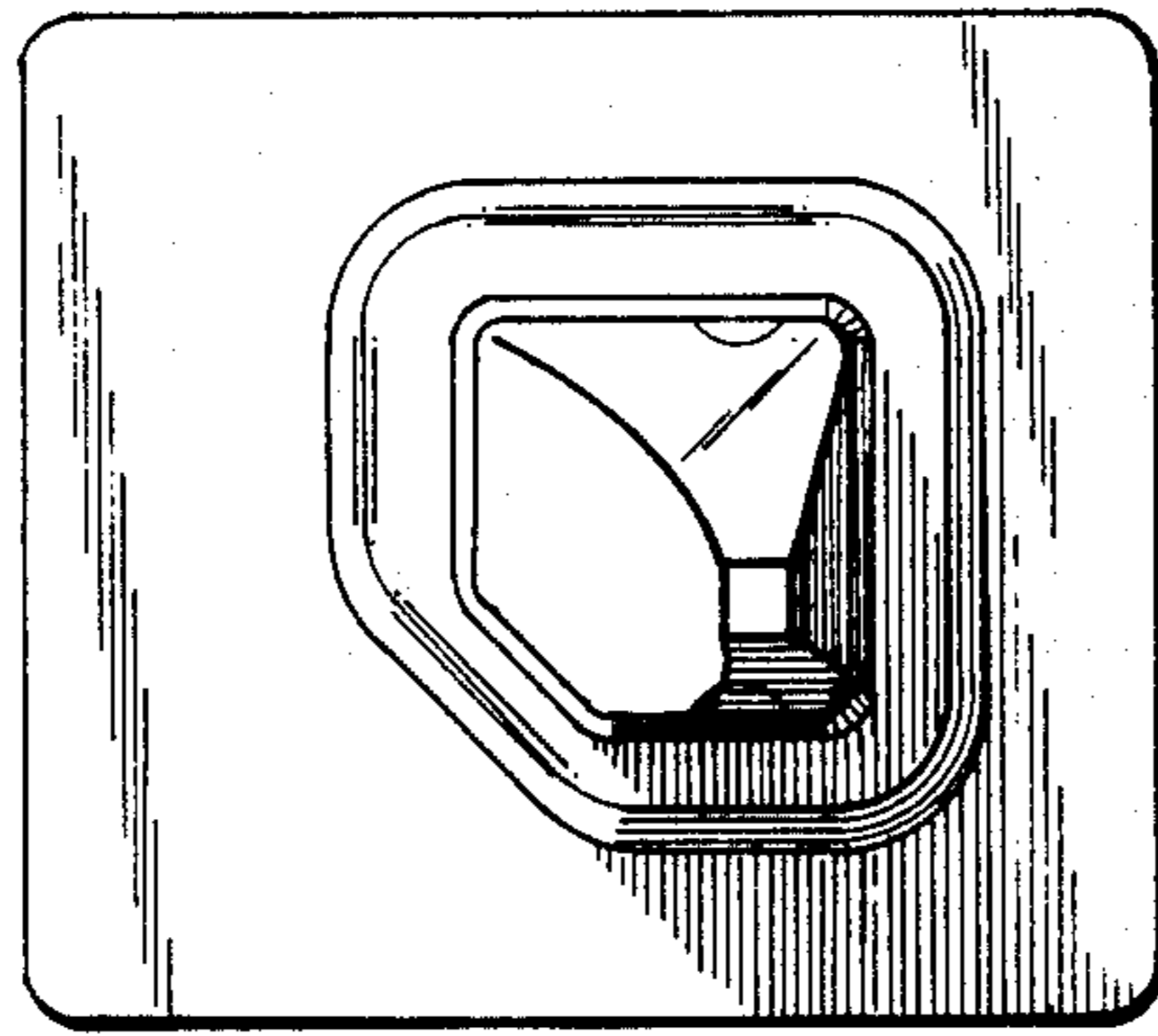
*Fig. 3*



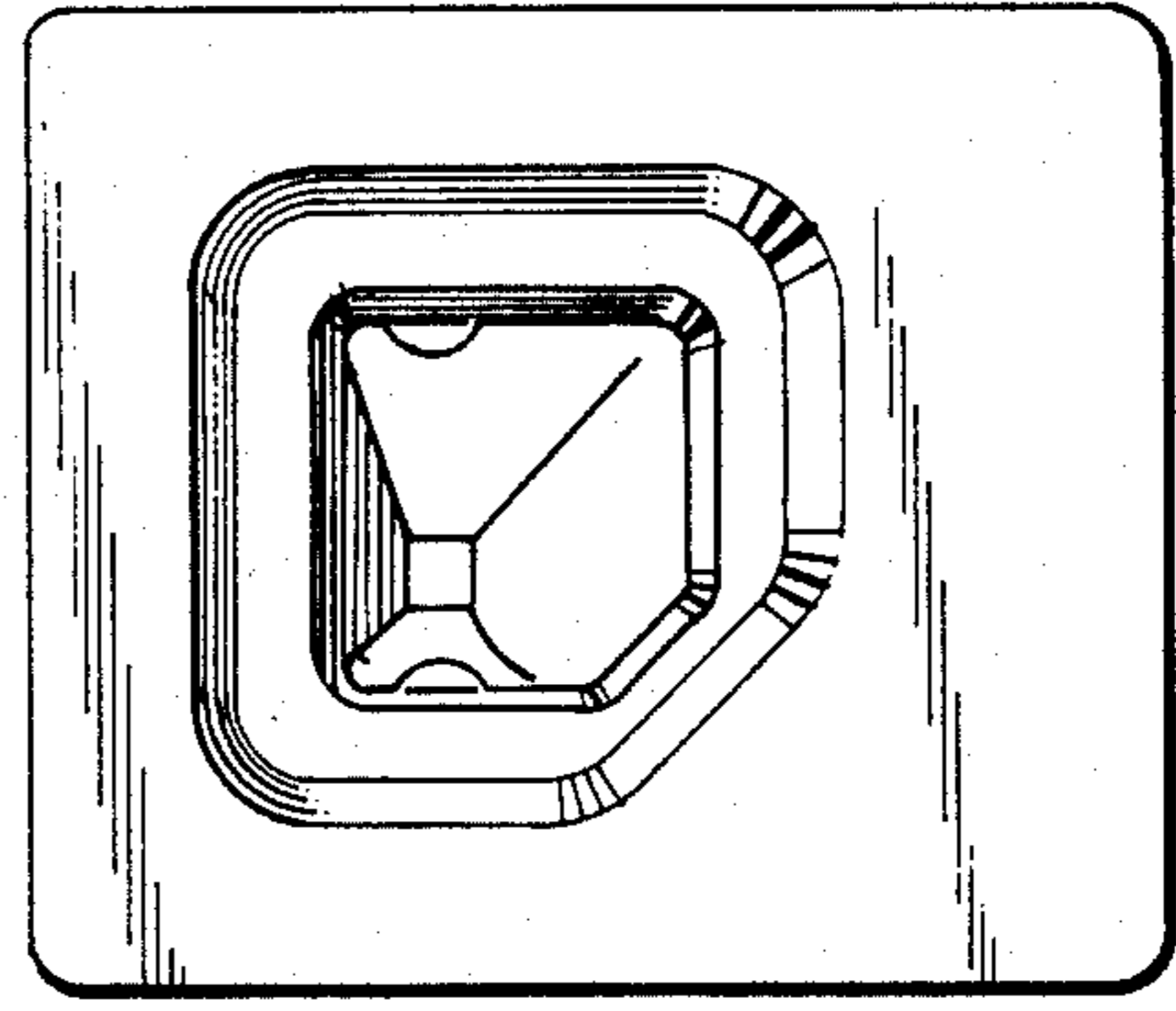
*Fig. 4*



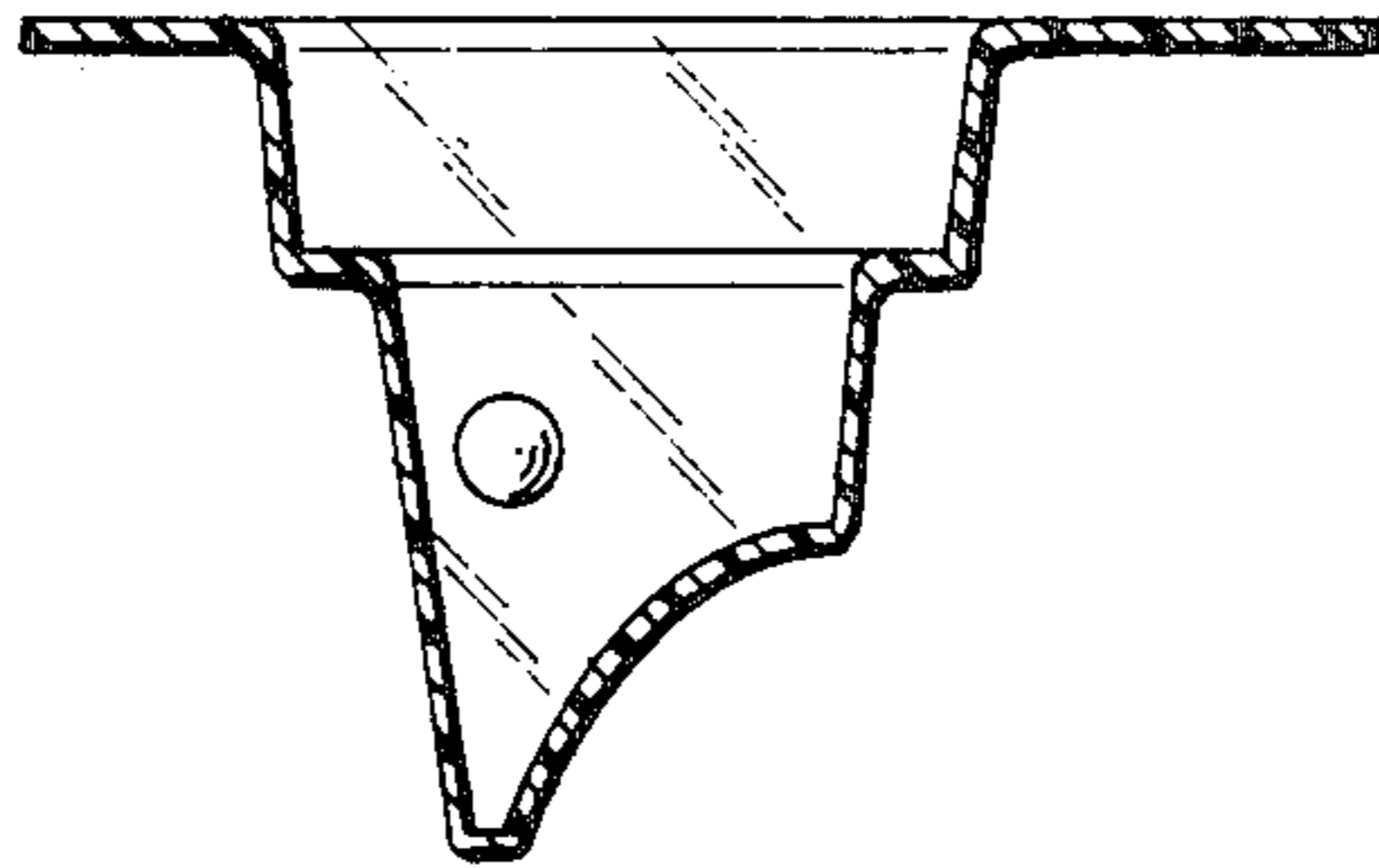
*Fig. 5*



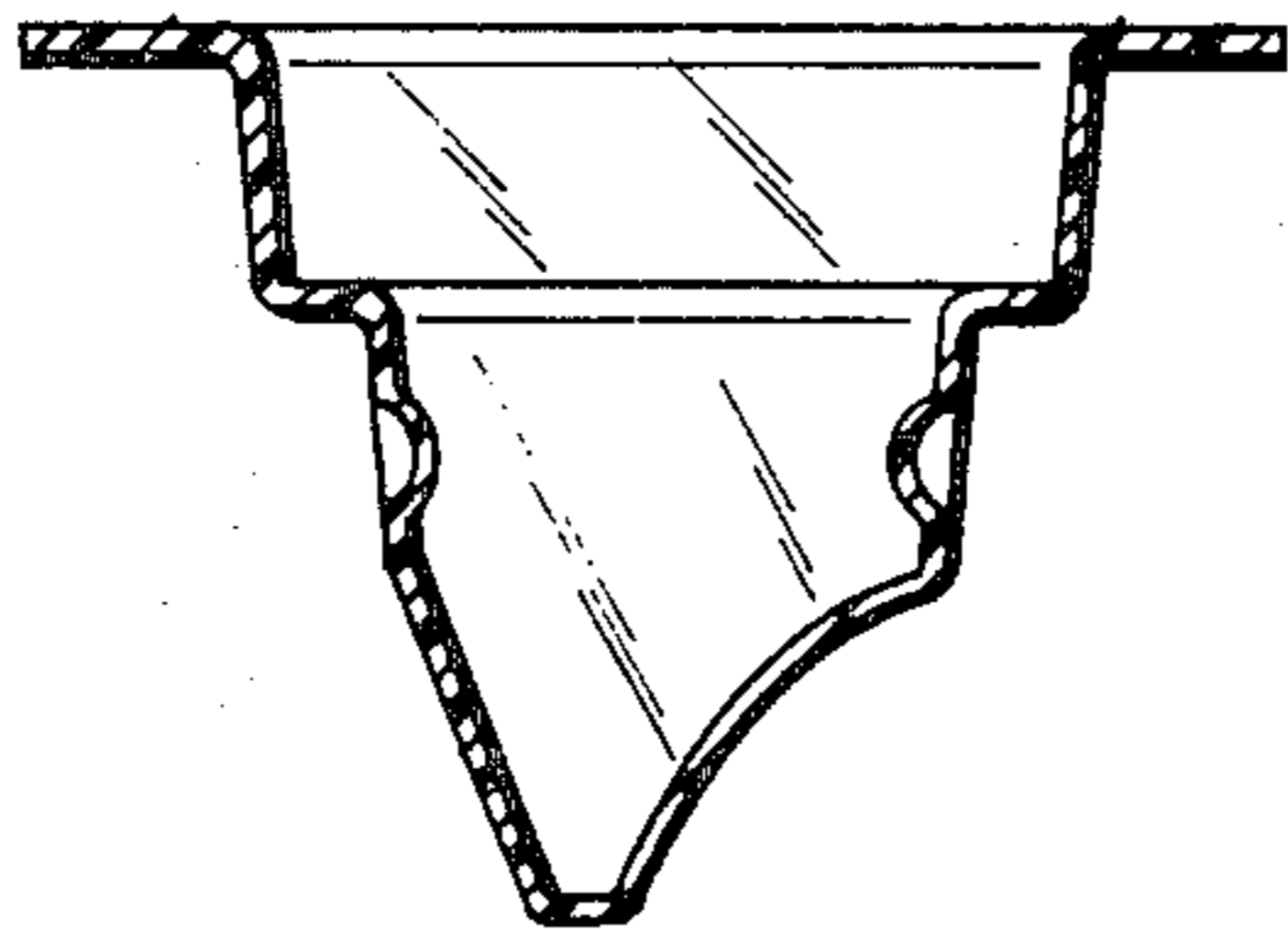
*Fig. 6*



*Fig. 7*



*Fig. 8*



*Fig. 9*