

[54] HUNTING KNIFE

4,349,960 9/1982 Kwasniak ..... 30/153

[76] Inventor: Göran Ulvtorp, Kaprifolvägen 19, S-260 40 Viken, Sweden

[\*\*] Term: 14 Years

[21] Appl. No.: 434,754

[22] Filed: Oct. 18, 1982

[30] Foreign Application Priority Data

May 3, 1982 [SE] Sweden ..... 82-1140

[52] U.S. Cl. .... D8/99

[58] Field of Search ..... D7/138, 142; D8/98, D8/99, 100; D22/1, 13; 30/142, 143, 146, 151, 153-156; 7/118

[56] References Cited

U.S. PATENT DOCUMENTS

122,960	1/1872	Pennington	30/152
921,988	5/1909	Heath	7/118
2,798,290	7/1957	Bassett	30/143 X
3,702,501	11/1972	Wood	30/153

OTHER PUBLICATIONS

Frost Cutlery Company Apache Hunter Knife; 3/31/80.

Hyde Tools Dealer Price List; No. 99100-Cutlery p. 16.

Primary Examiner—Susan J. Lucas

Assistant Examiner—Clare E. Heflin

Attorney, Agent, or Firm—Ladas & Parry

[57] CLAIM

The ornamental design for a hunting knife, as shown.

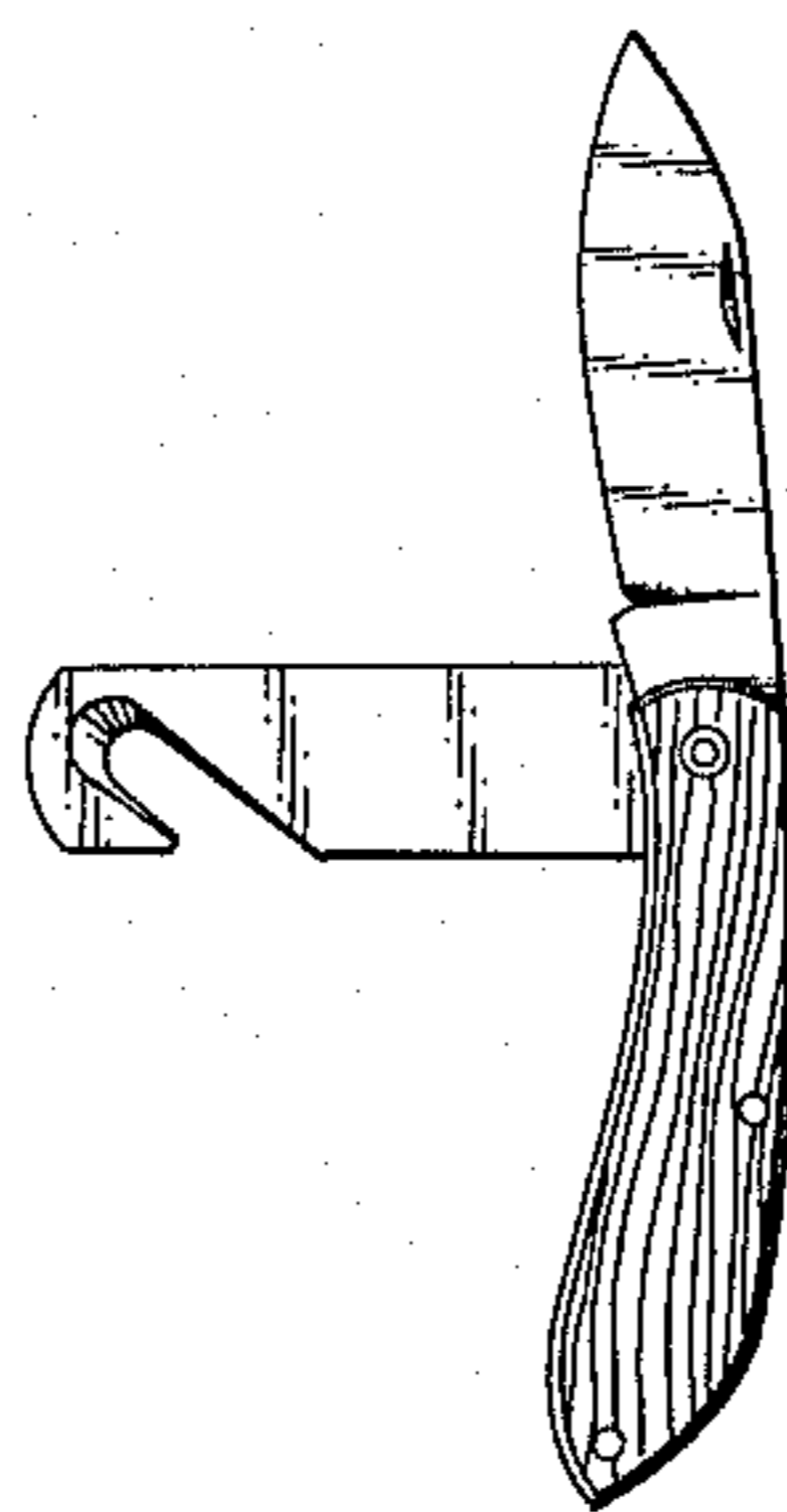
DESCRIPTION

FIG. 1 is a front elevational view of a hunting knife showing my new design in open position.

FIG. 2 is a front elevation view thereof in closed position.

FIG. 3 is a back elevational view thereof in open position.

FIG. 4 is a front elevational view of a second embodiment of a hunting knife showing my new design in open position.



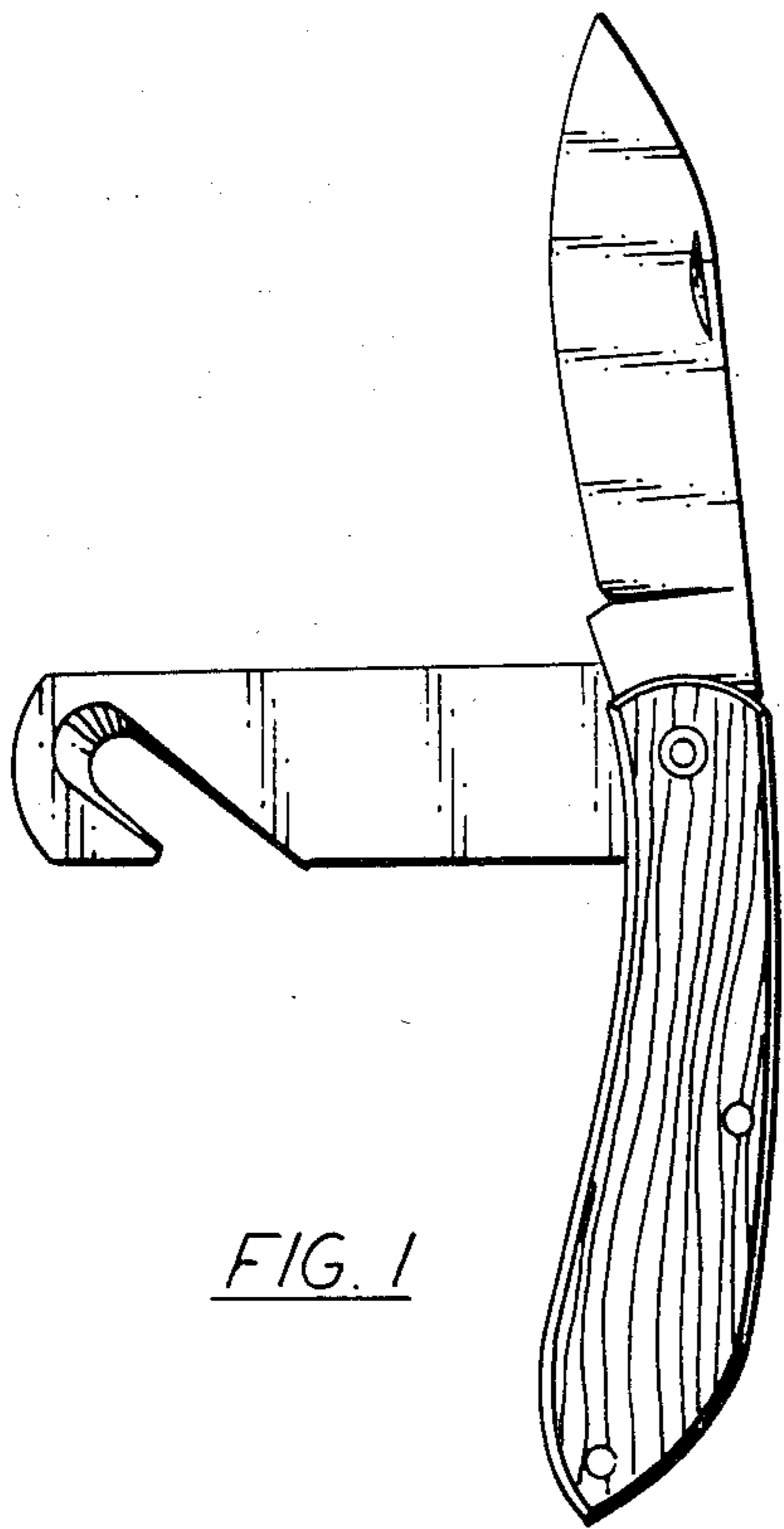


FIG. 1

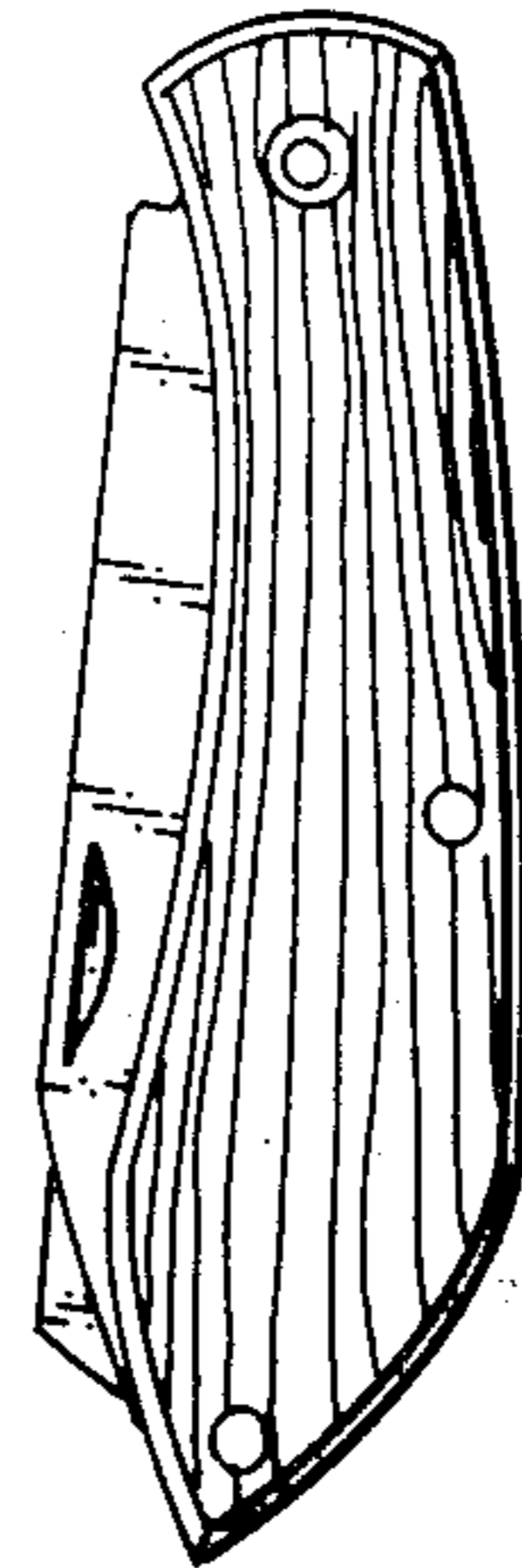


FIG. 2

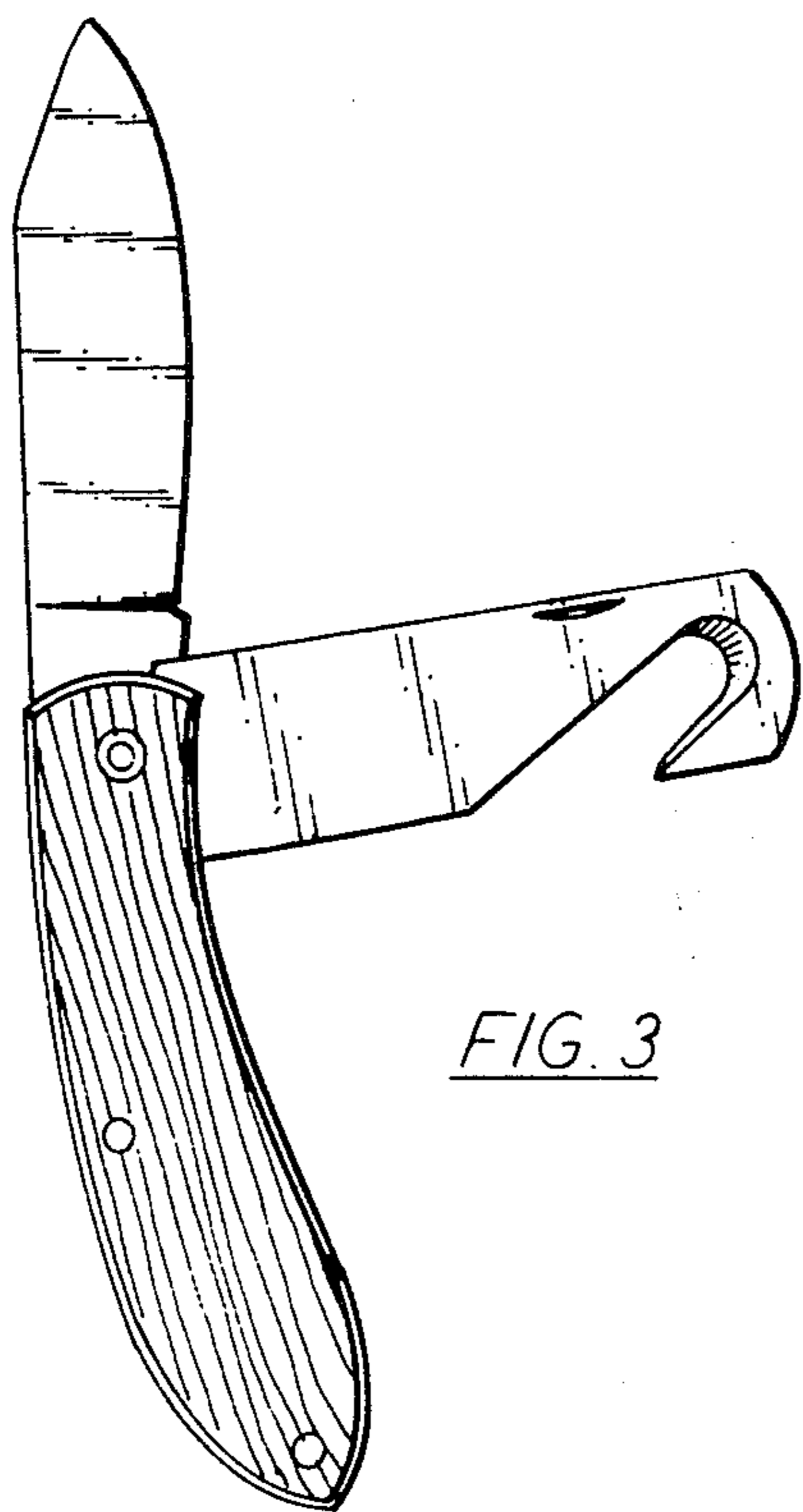


FIG. 3

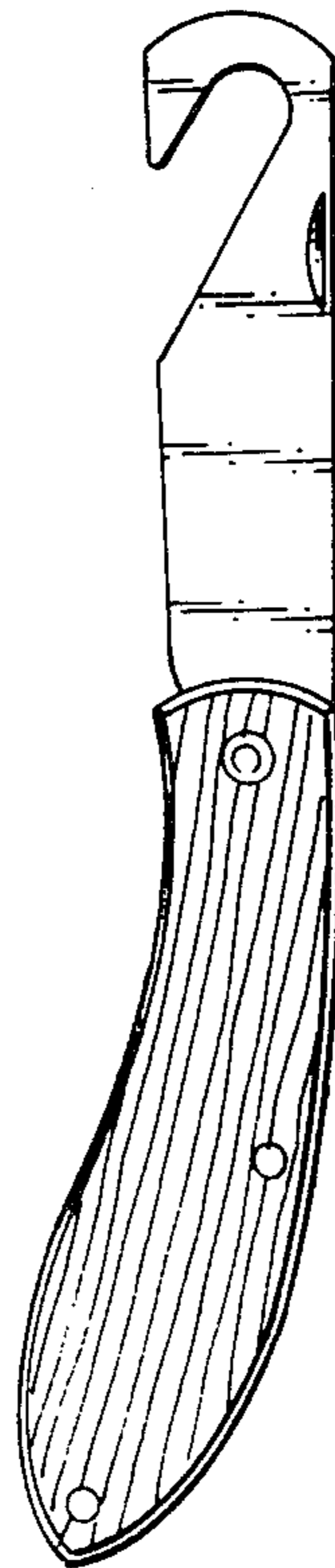


FIG. 4