

[54] CORDLESS JIG SAW

[75] Inventor: Edward A. Barnik, Reisterstown, Md.
 [73] Assignee: Black & Decker Inc., Newark, Del.
 [**] Term: 14 Years
 [21] Appl. No.: 373,229
 [22] Filed: Apr. 29, 1982
 [52] U.S. Cl. D8/64
 [58] Field of Search D8/64; 83/427, 746; 30/392, 393, 394, DIG. 1

[56]

References Cited

U.S. PATENT DOCUMENTS

D. 178,426	7/1956	Riley, Jr. et al.	D8/64
D. 185,439	6/1959	Katzfey .	
D. 192,134	1/1962	Johnson	D8/64
D. 243,652	3/1977	Zurwelle et al. .	
1,855,371	4/1932	Ungar .	
2,506,736	5/1950	Oschwald	D8/64 X
3,863,342	2/1975	Griffies et al.	D8/64 X

OTHER PUBLICATIONS

Black & Decker Catalog PE-7R, p. 57, Catalog No. 3159-10; Oct. 1, 1978.
 Makita Catalog 1980-2, p. 7, Model No. 5080DW, 1980.
 Primary Examiner—Catherine E. Kemper
 Assistant Examiner—Clare E. Heflin
 Attorney, Agent, or Firm—Ronald B. Sherer; Harold Weinstein; Edward D. Murphy

[57]

CLAIM

The ornamental design for a cordless jig saw, as shown.

DESCRIPTION

FIG. 1 is a perspective view of a cordless jig saw showing my new design;
 FIG. 2 is a left side elevational view of the saw;
 FIG. 3 is a right side elevational view of the saw;
 FIG. 4 is a top plan view of the saw;
 FIG. 5 is a bottom plan view of the saw;
 FIG. 6 is a rear elevational view of the saw;
 FIG. 7 is a front elevational view of the saw.

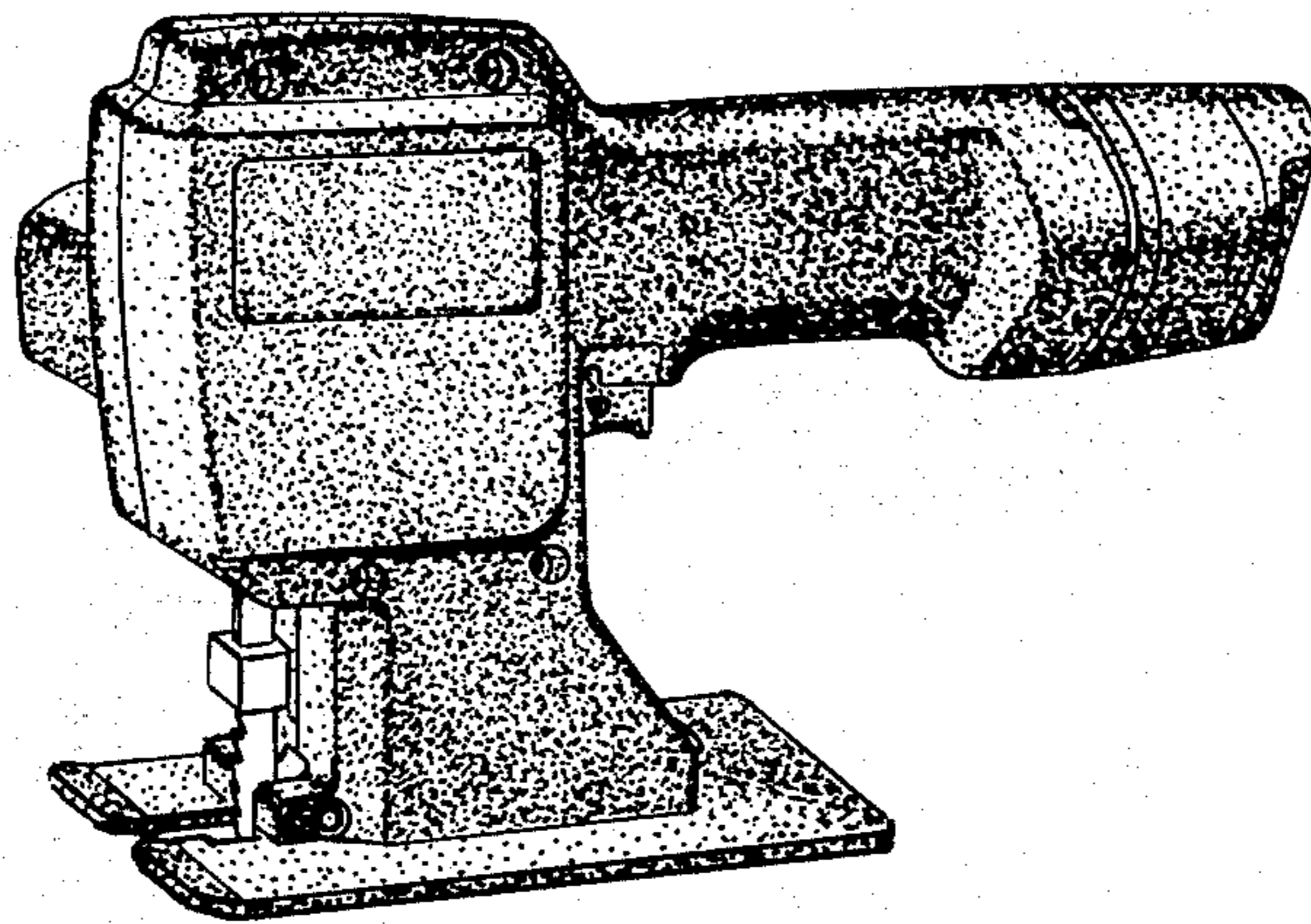


FIG. 1

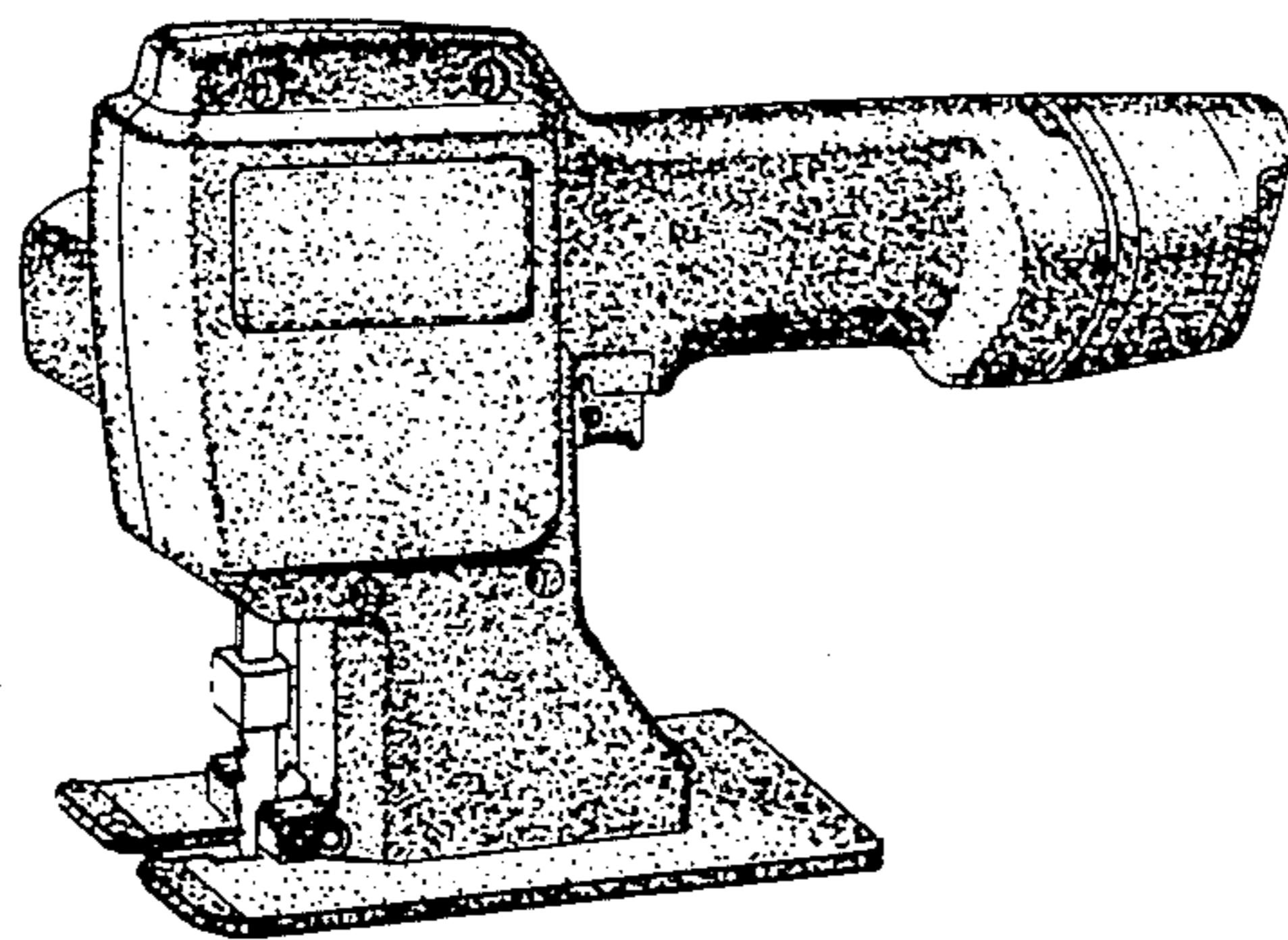


FIG. 2

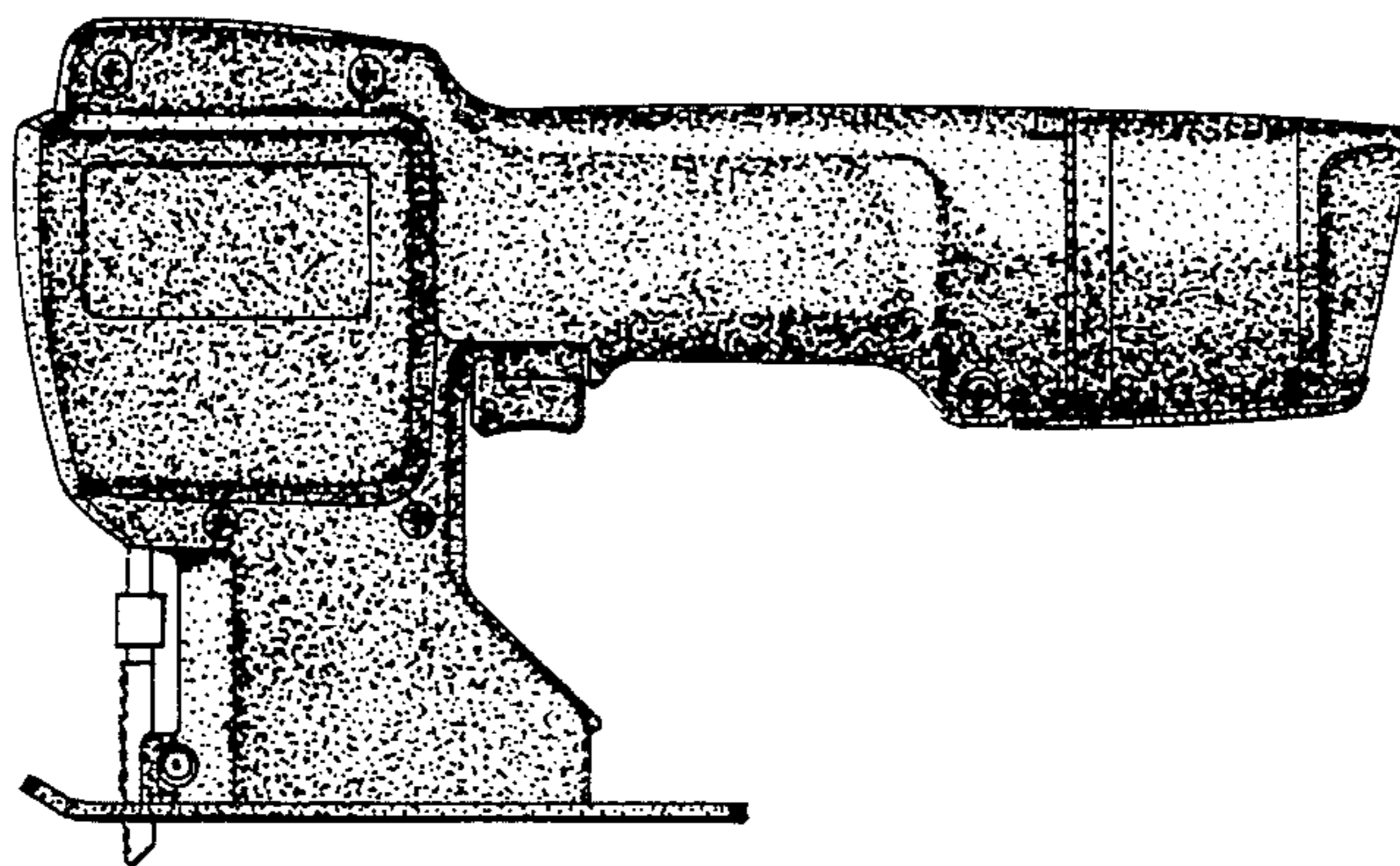


FIG. 3

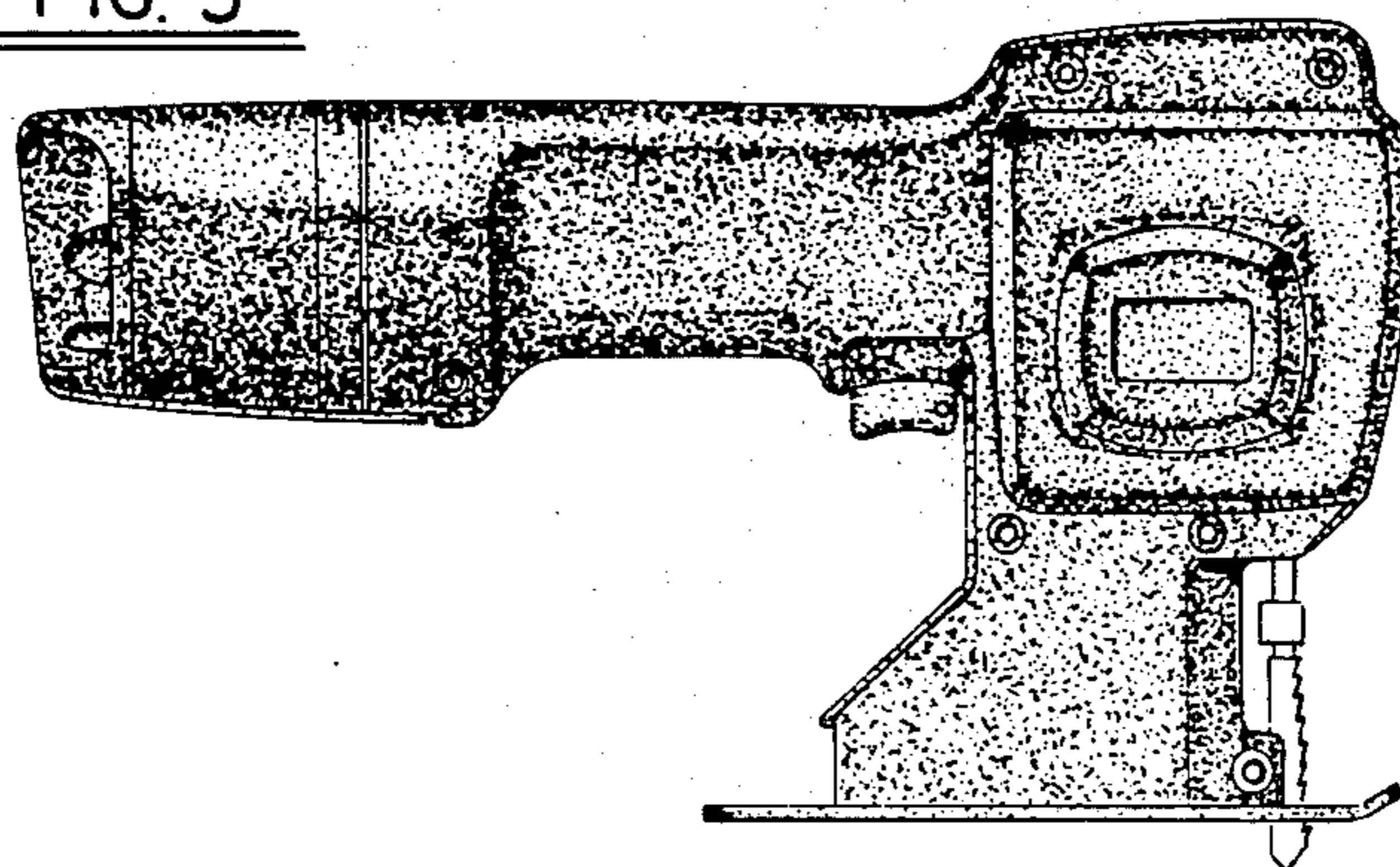


FIG. 4

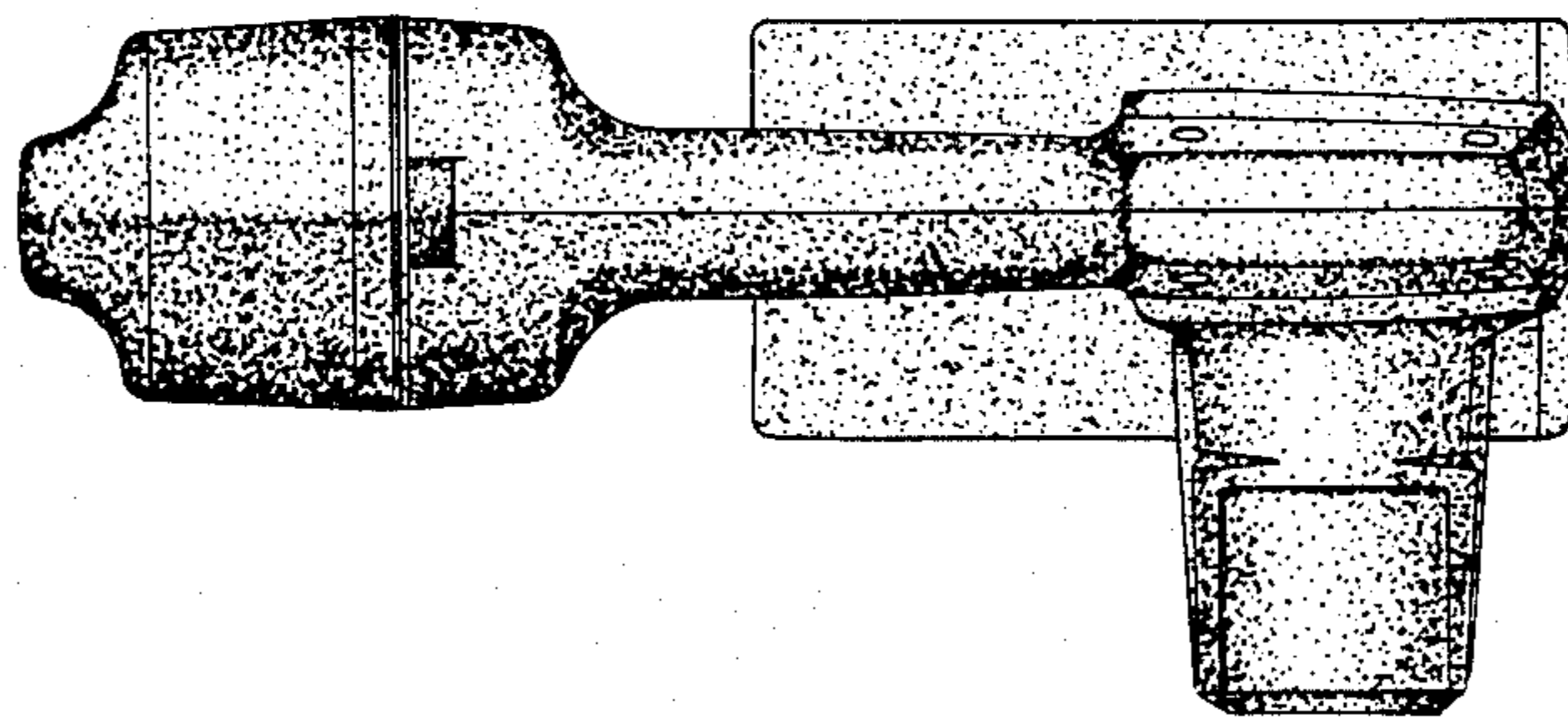


FIG. 5

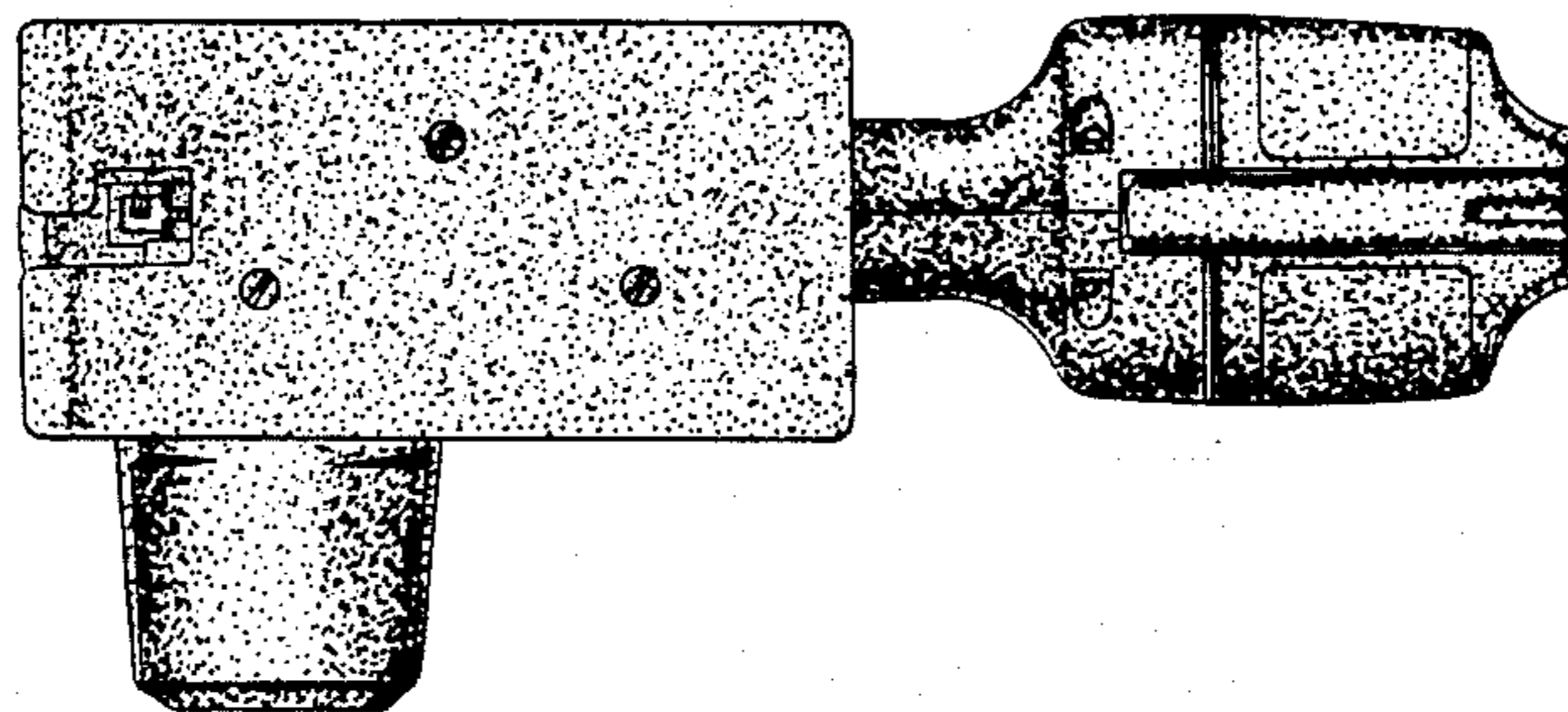


FIG. 6

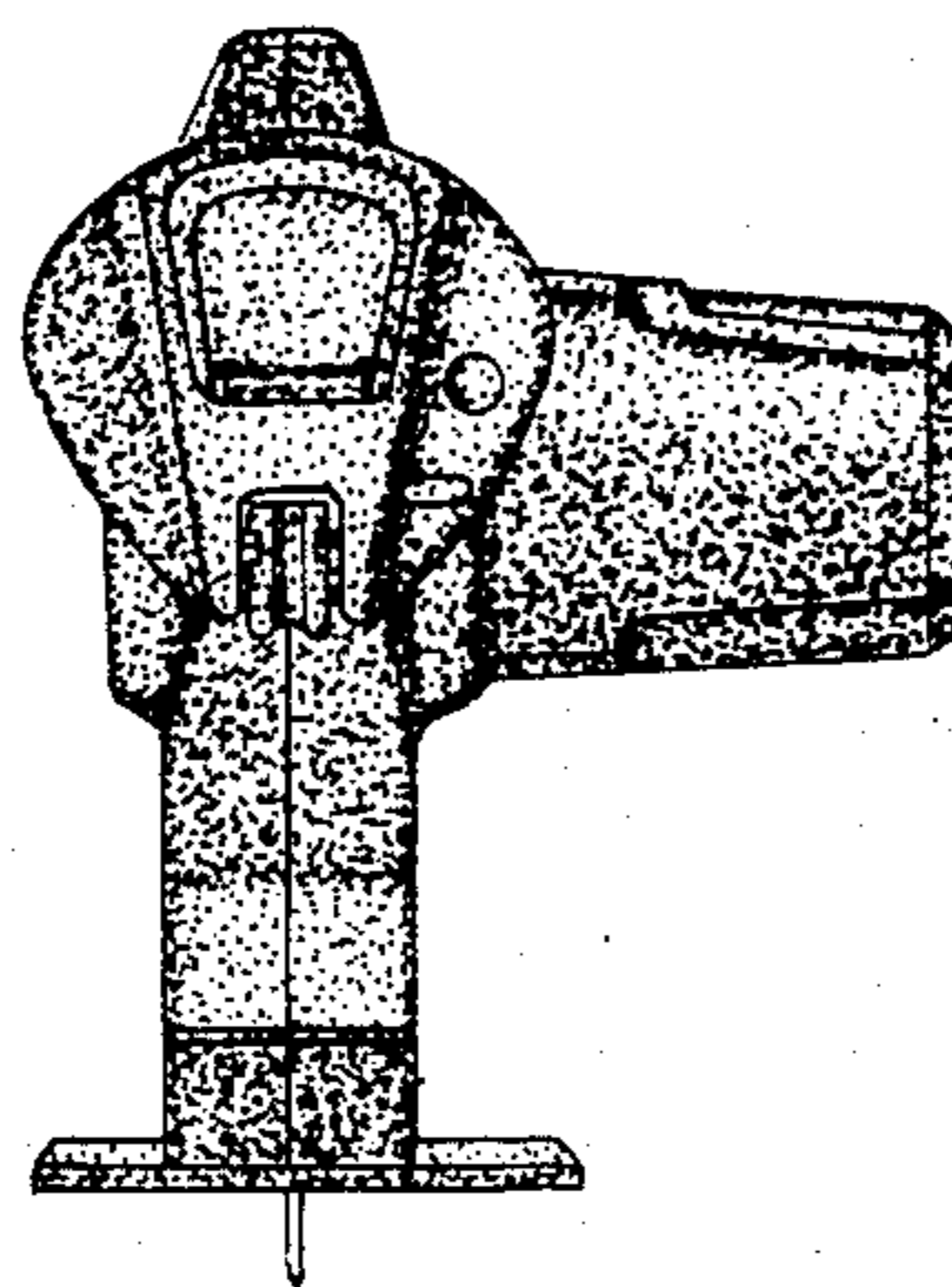


FIG. 7

