

United States Patent [19]

Vetter et al.

[11] Patent Number: **Des. 277,449**

[45] Date of Patent: **** Feb. 5, 1985**

[54] **COOKING PANEL**

[75] Inventors: **Roland Vetter, Giengen; Rolf Feil, Günzburg-Reisenburg, both of Fed. Rep. of Germany**

[73] Assignee: **Bosch-Siemens Hausgerate GmbH, Stuttgart, Fed. Rep. of Germany**

[**] Term: **14 Years**

[21] Appl. No.: **396,653**

[22] Filed: **Jul. 9, 1982**

[30] **Foreign Application Priority Data**

Jan. 16, 1982 [DE] Fed. Rep. of Germany MR 5401

[52] U.S. Cl. **D7/346**

[58] Field of Search **D7/346, 348, 363, 367; 219/443, 444, 445, 446, 447, 449, 450, 455**

[56]

References Cited

U.S. PATENT DOCUMENTS

D. 250,872	1/1979	Meunier	D7/346
D. 264,673	1/1982	Schreder	D7/346
D. 271,269	11/1983	Vetter et al.	D7/363
2,980,480	4/1961	Jacobs et al.	219/446
3,194,945	7/1965	Barnett	219/446
3,291,967	12/1966	Tilus	219/444

Primary Examiner—A. Hugo Word

Assistant Examiner—Lynn Wilder

Attorney, Agent, or Firm—Herbert L. Lerner; Laurence A. Greenberg

[57]

CLAIM

The ornamental design for a cooking panel, as shown and described.

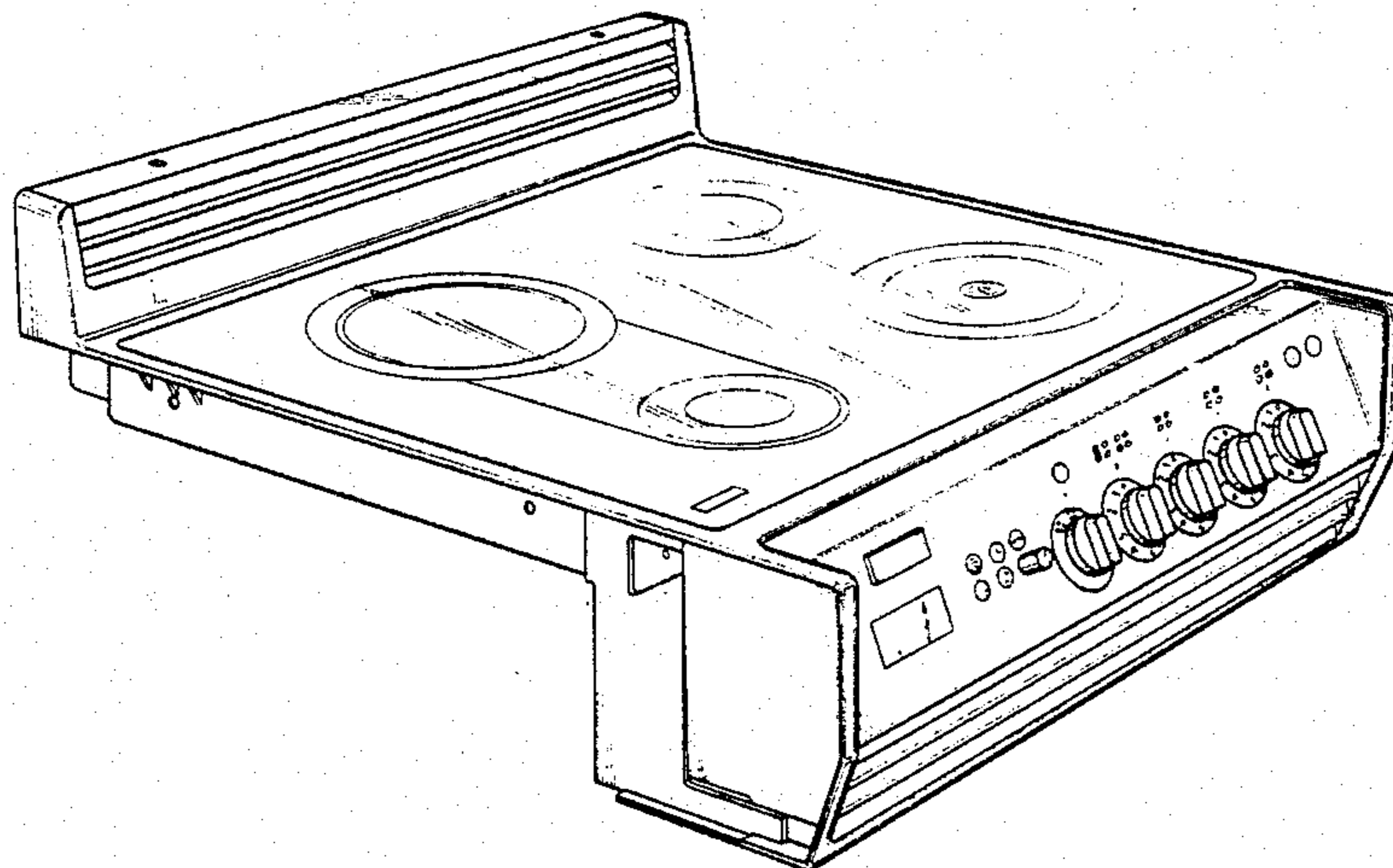
DESCRIPTION

FIG. 1 is a perspective view of a cooking panel showing our new design;

FIG. 2 is a side elevational view thereof, the other side being a mirror image;

FIG. 3 is a bottom plan view thereof;

FIG. 4 is a rear elevational view thereof.



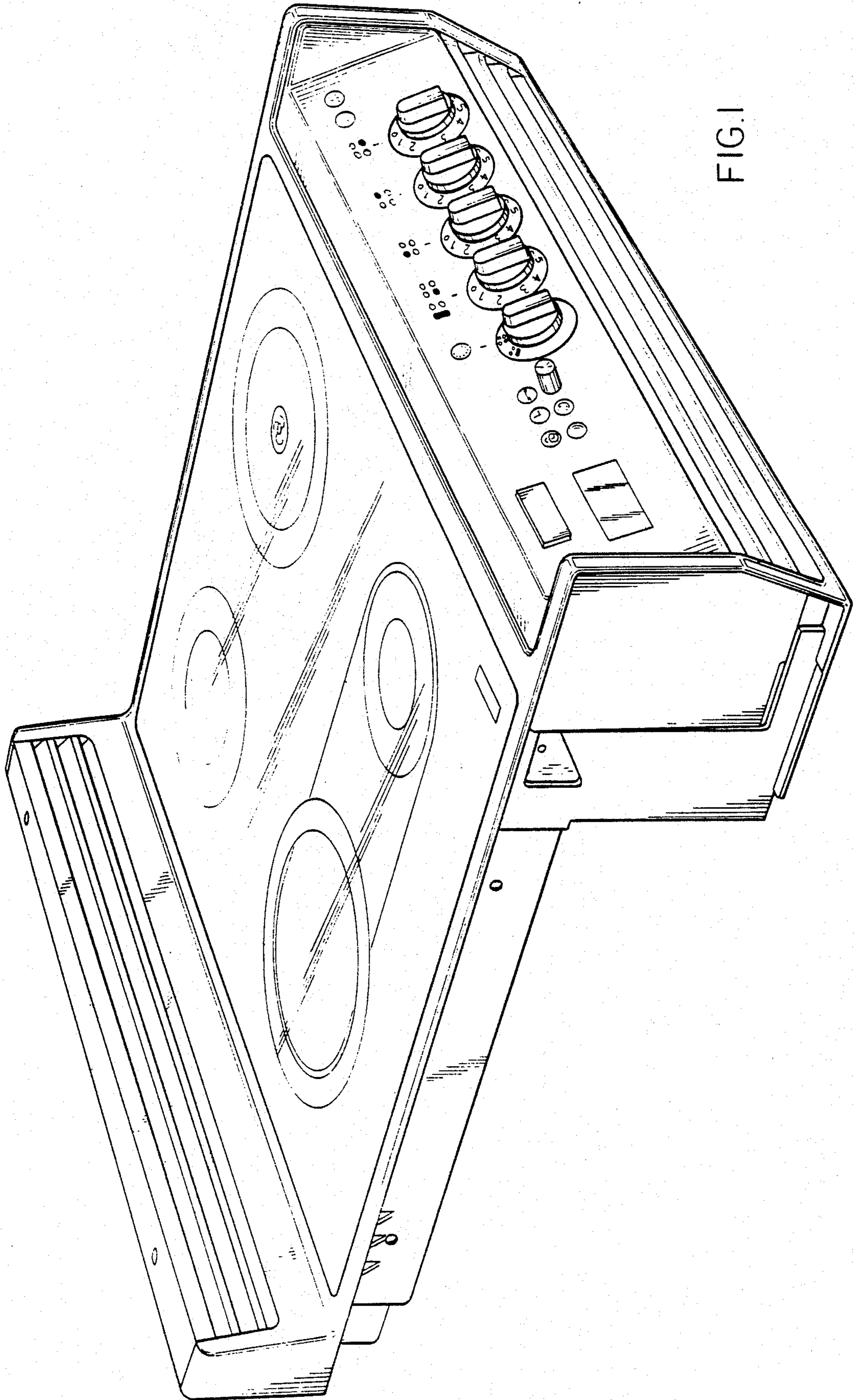


FIG.1

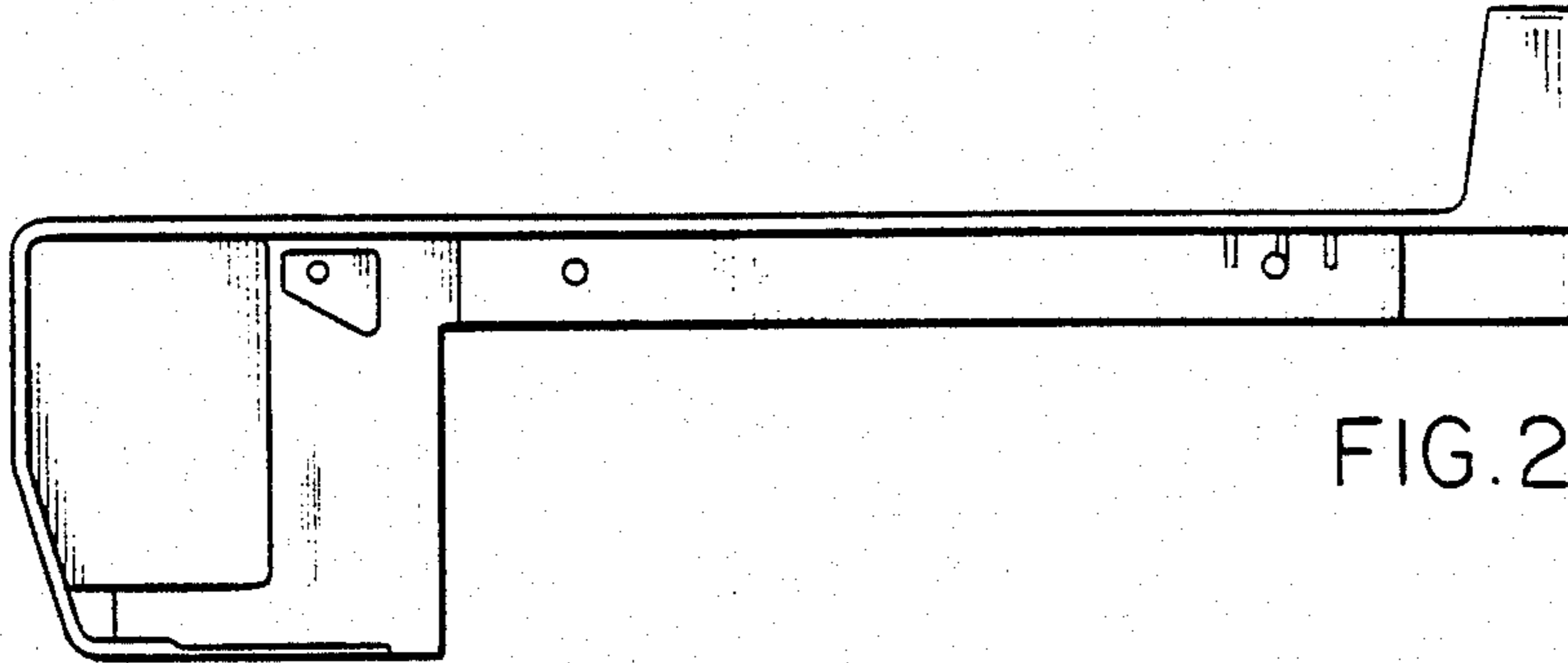


FIG. 2

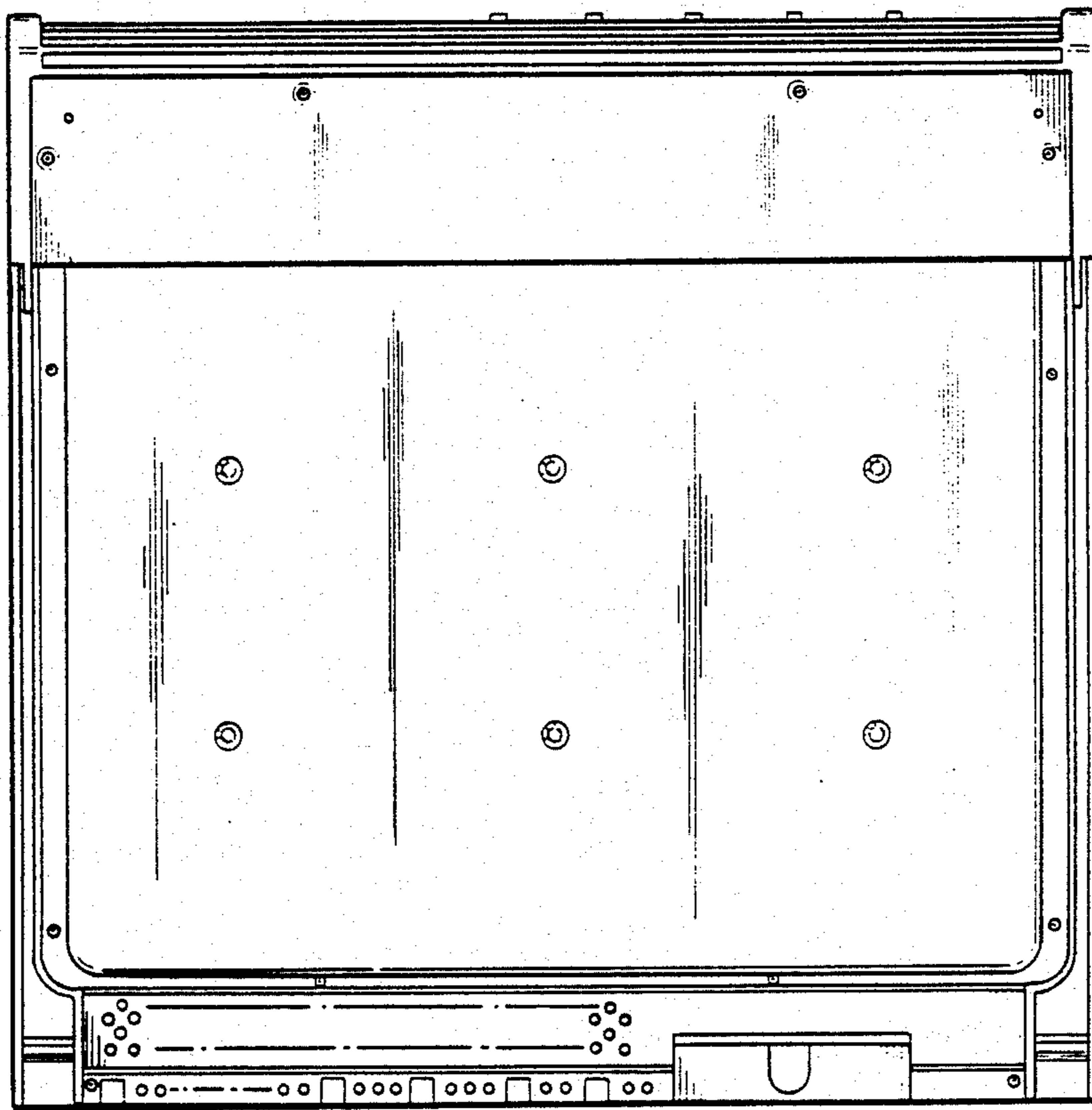


FIG. 3

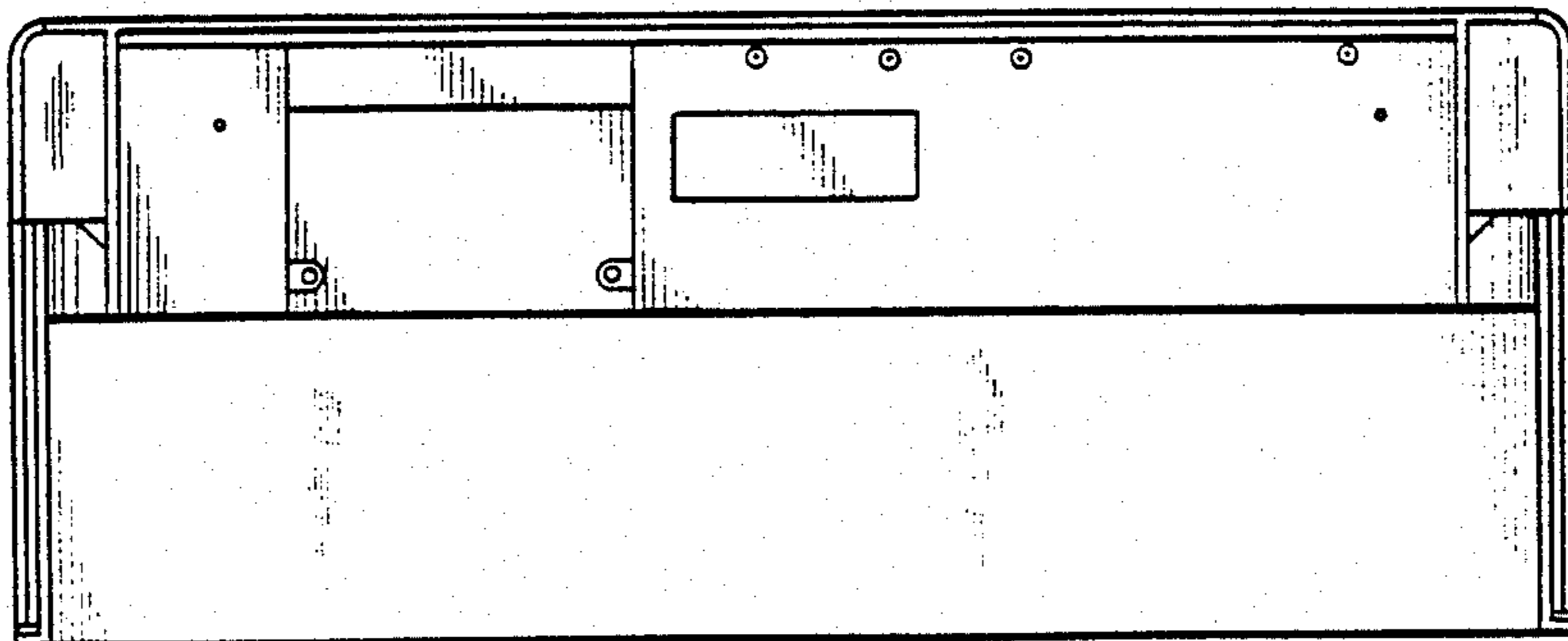


FIG. 4