

[54] SPRING LOADED CHOP STICKS

[76] Inventor: Clive Hollinshead, 29572 Spotted Bull La., San Juan Capistrano, Calif. 92675

[**] Term: 14 Years

[21] Appl. No.: 416,122

[22] Filed: Sep. 9, 1982

[52] U.S. Cl. D7/105

[58] Field of Search D7/105; D32/61, 64, D32/65; 294/16, 99.2; 24/499, 501

[56] References Cited

U.S. PATENT DOCUMENTS

D. 213,194	1/1969	Capps	D7/105 X
2,279,934	4/1942	Wisecup	D32/64 X
2,997,328	8/1961	Lee	D7/105 X
3,414,310	12/1968	Ono	294/16
3,637,248	1/1972	Arita	D7/105 X
3,937,510	2/1976	Lew	D7/105 X

Primary Examiner—Melvin B. Feifer

Assistant Examiner—Theodore M. Shooman

Attorney, Agent, or Firm—Wm. Jacquet Gribble

[57] CLAIM

The ornamental design for spring loaded chop sticks, as shown and described.

DESCRIPTION

FIG. 1 is a top plan view of spring loaded chop sticks showing my new design;
 FIG. 2 is a side elevational view thereof;
 FIG. 3 is a bottom plan view thereof;
 FIG. 4 is a left end view thereof;
 FIG. 5 is a right end view thereof;
 FIG. 6 is a transverse sectional elevational view taken along line 6—6 of FIG. 2;
 FIG. 7 is a top plan view of an alternate embodiment of the design for spring loaded chop sticks;
 FIG. 8 is a side elevational view thereof;
 FIG. 9 is a bottom plan view thereof;
 FIG. 10 is a left end view thereof;
 FIG. 11 is a right end view thereof; and
 FIG. 12 is a transverse sectional elevational view thereof taken along line 12—12 of FIG. 8.
 The side elevations not shown are mirror images of the side elevations shown for each embodiment.

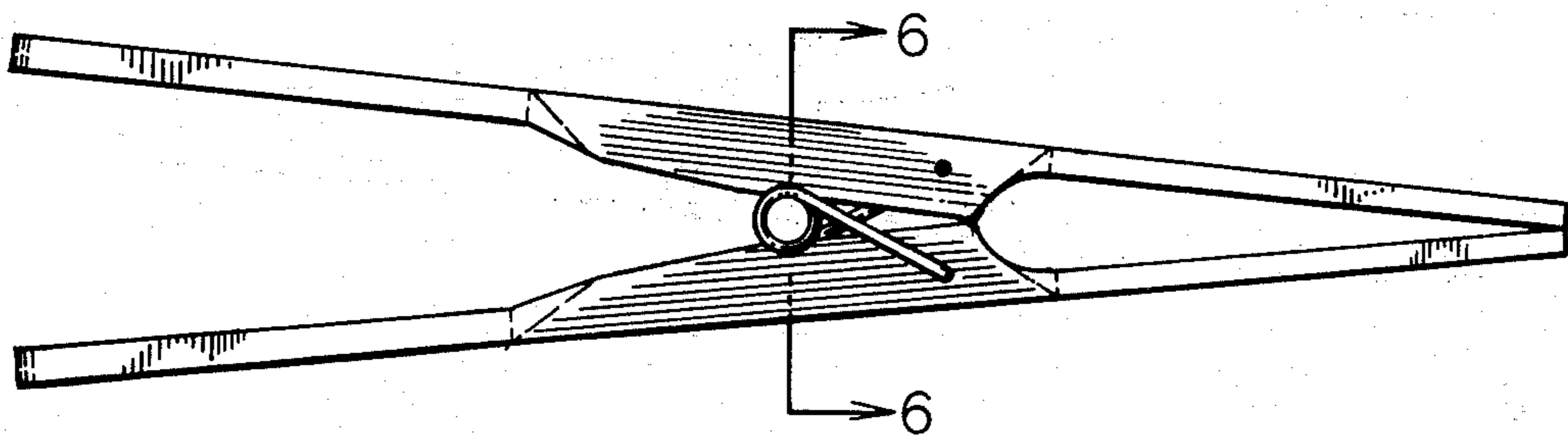


FIG. 1.



FIG. 2.

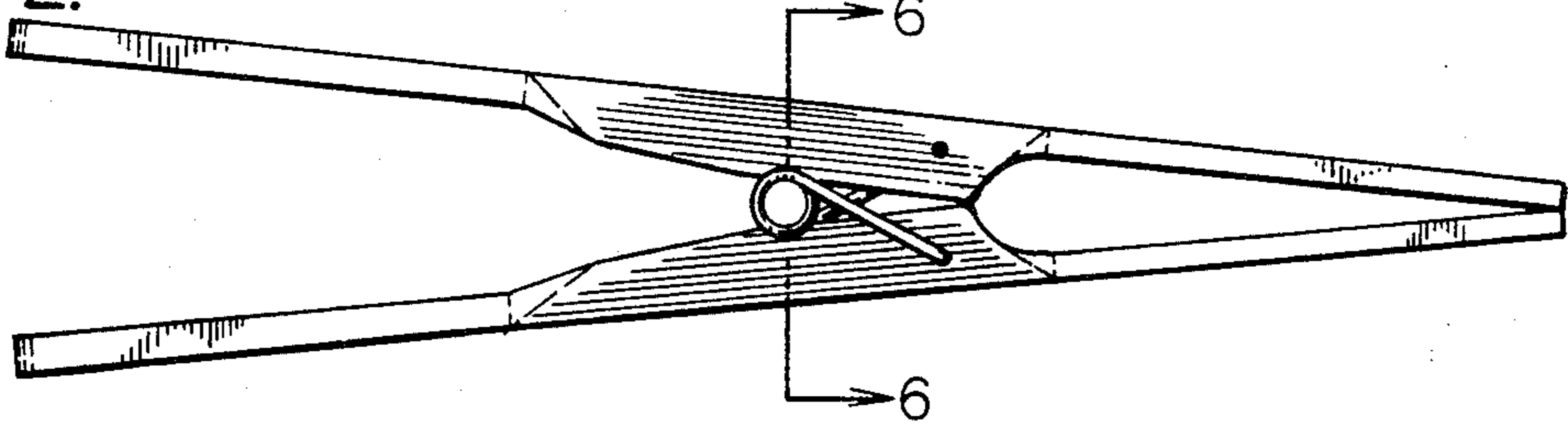


FIG. 3.



FIG. 4.



FIG. 6.



FIG. 5.



FIG. 7.



FIG. 8.

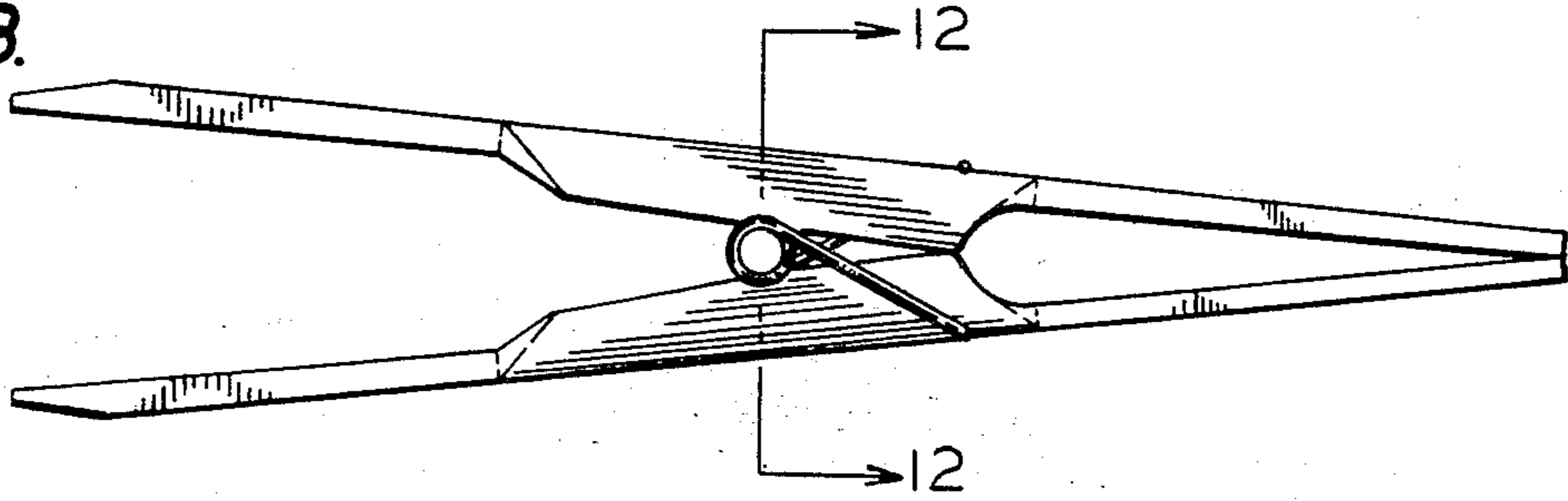


FIG. 9.

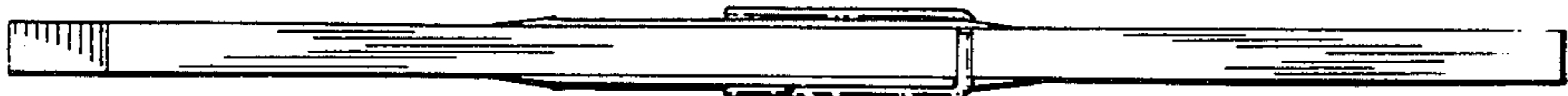


FIG. 10.



FIG. 12.



FIG. 11.

