

[54] CHAIR

[75] Inventor: Edsel E. Murry, Christiana, Tenn.

[73] Assignee: Samsonite Corporation, Denver, Colo.

[**] Term: 14 Years

[21] Appl. No.: 382,789

[22] Filed: May 27, 1982

[52] U.S. Cl. D6/366

[58] Field of Search D6/30, 31, 364, 365, D6/366

[56] References Cited

U.S. PATENT DOCUMENTS

- D. 232,398 8/1974 Sottsass, Jr. D6/30
- D. 243,486 3/1977 Buhk D6/30

OTHER PUBLICATIONS

Interiors, Jan. 1978, p. 23, Chair, bottom left by All-Steel.

Primary Examiner—Bruce W. Dunkins
Attorney, Agent, or Firm—D. Michael Clayton

[57] CLAIM

The ornamental design for a chair, as shown and described.

DESCRIPTION

FIG. 1 is a perspective view of a chair embodying my new design;
 FIG. 2 is a bottom plan view thereof;
 FIG. 3 is a front elevation view thereof;
 FIG. 4 is a side elevation view thereof, showing the side opposite that shown in FIG. 1; and
 FIG. 5 is a rear elevation view thereof.



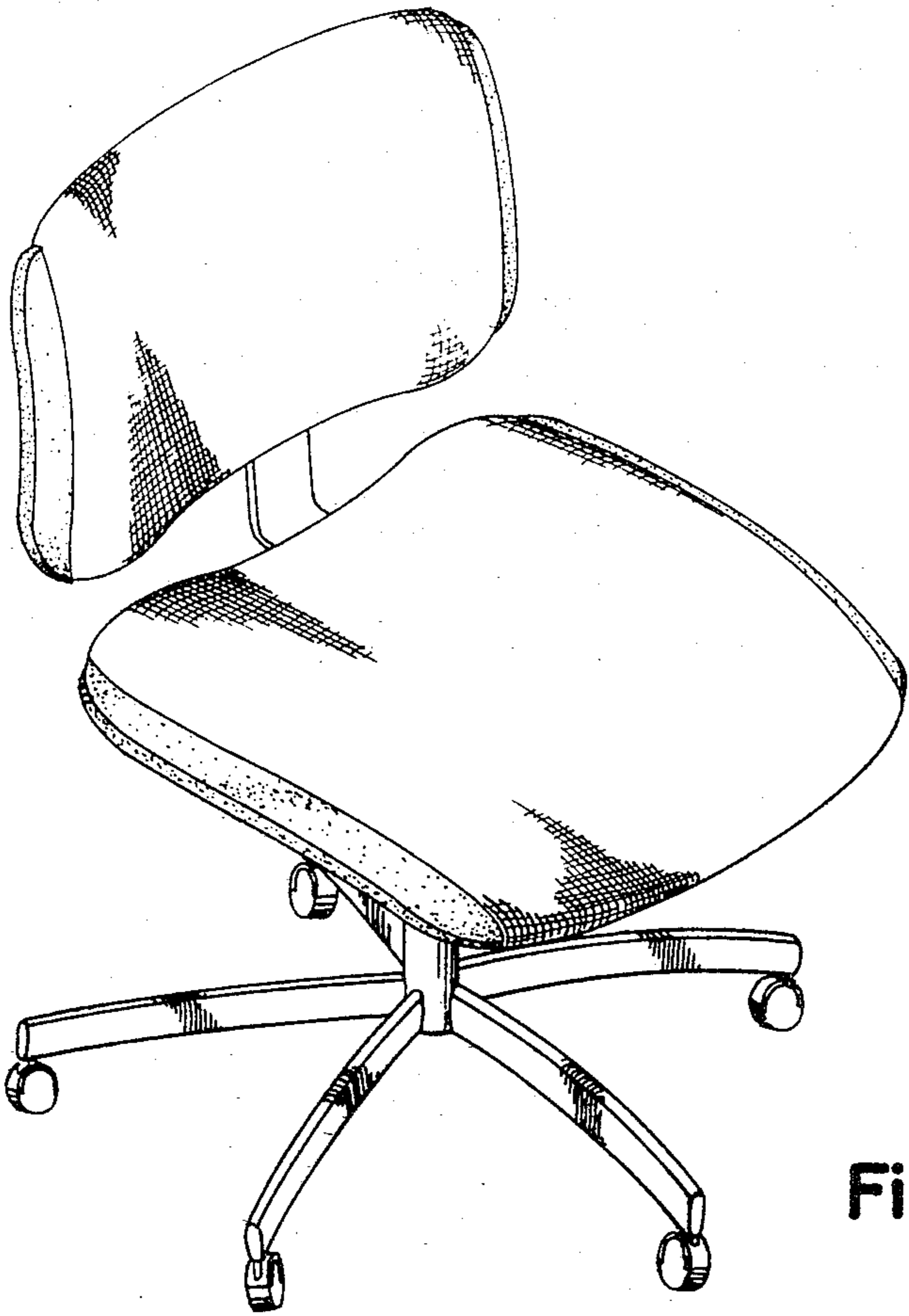


Fig. 1

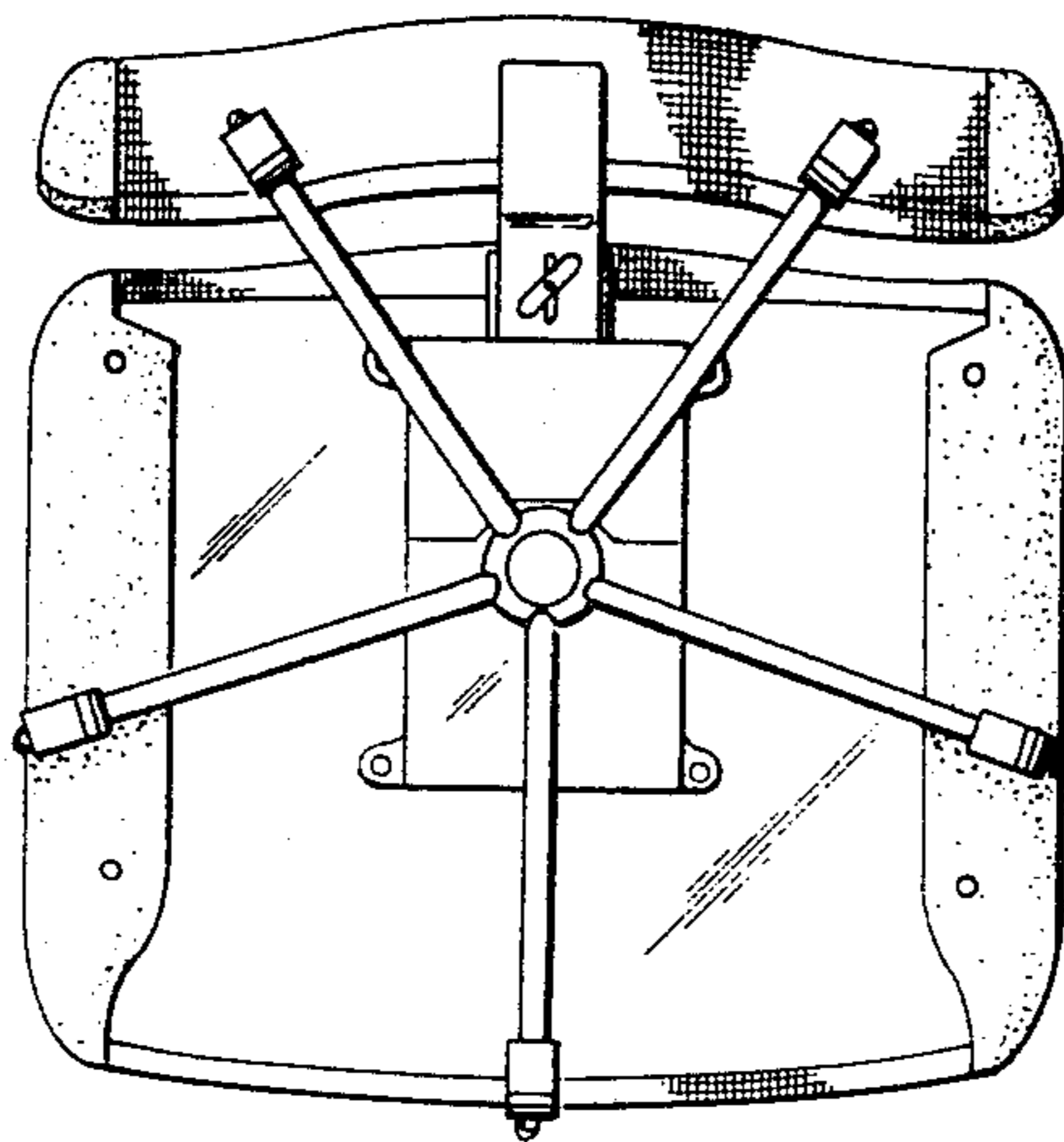


Fig. 2

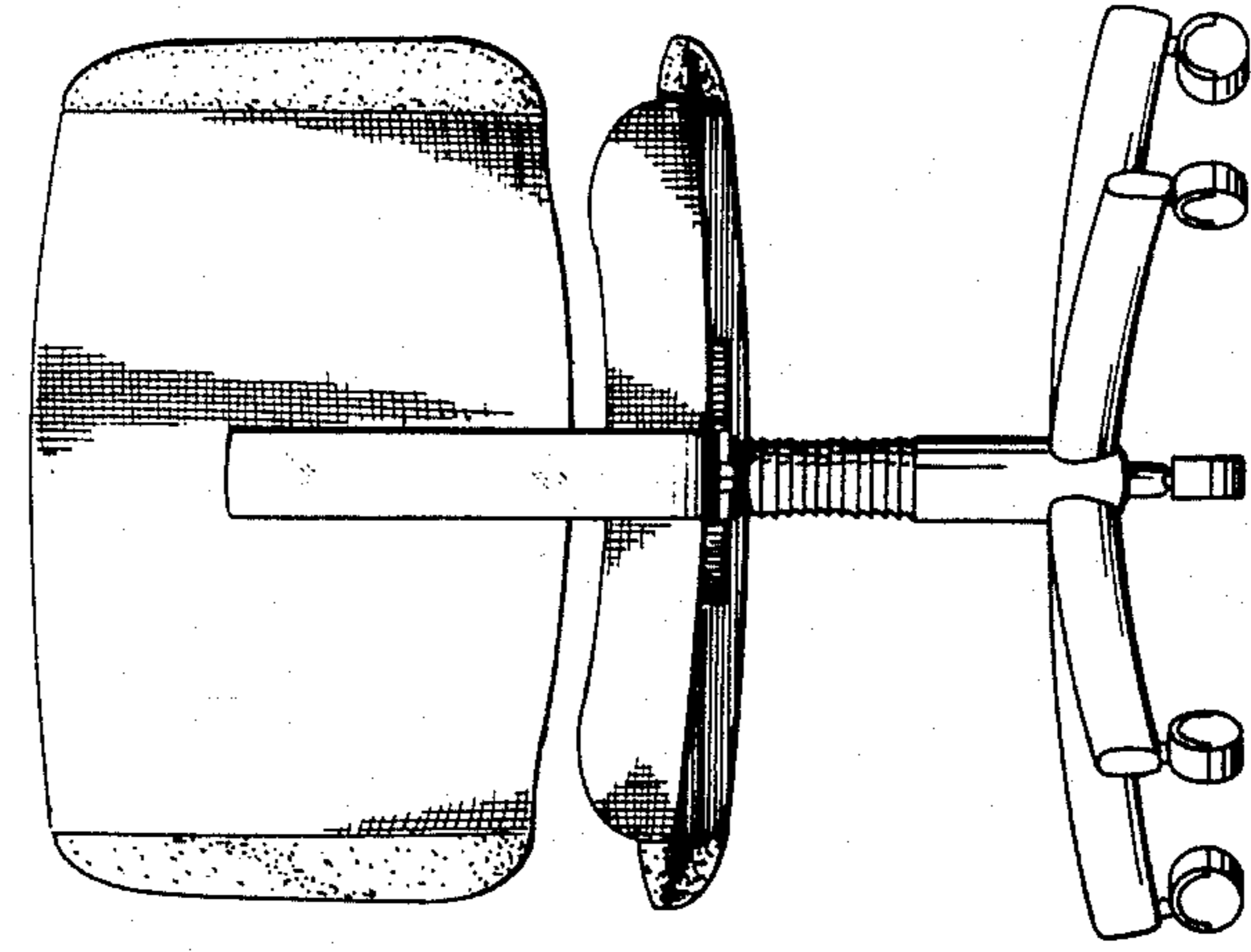


Fig. 3

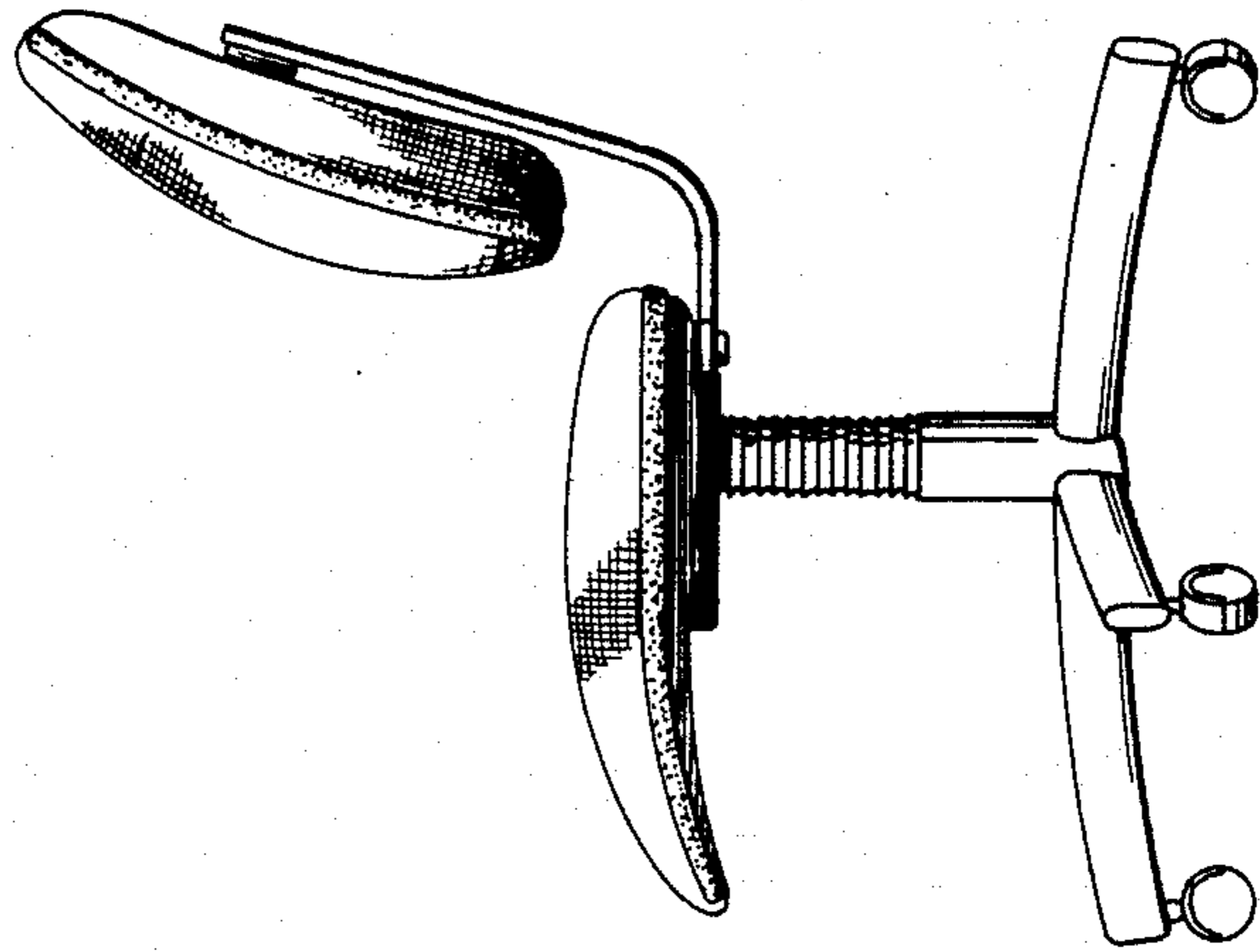


Fig. 4

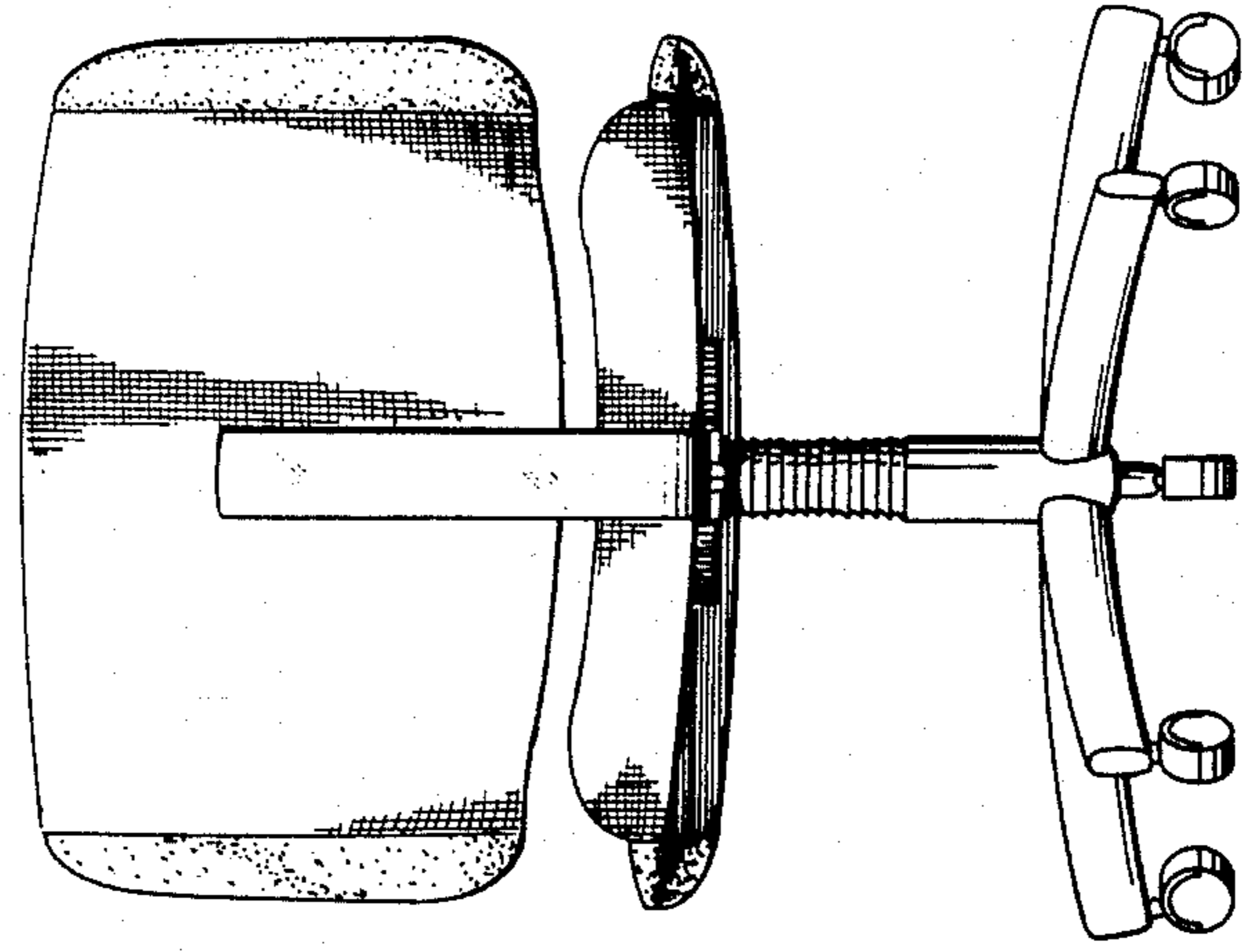


Fig. 5