

[54] ROTATING TOOL STORAGE CABINET WITH SHELVES

[75] Inventor: Jerry G. Cartwright, Ellwood City, Pa.

[73] Assignee: Wesco Manufacturing, Inc., Aurora, Ill.

[\*\*] Term: 14 Years

[21] Appl. No.: 410,850

[22] Filed: Aug. 23, 1982

[52] U.S. Cl. .... D6/476; D6/461

[58] Field of Search ..... D6/85, 157, 181, 186, D6/188, 190, 139, 20, 25, 27, 29; 211/144, 163; 206/44 R

[56] References Cited

U.S. PATENT DOCUMENTS

- D. 234,931 4/1975 Rogove et al. .... D6/85 X
- D. 252,962 9/1979 Wilks ..... D6/186 X

- 1,801,453 4/1931 Patterson ..... 211/163
- 2,868,386 1/1959 Seyforth ..... D6/139 X
- 2,923,417 2/1960 Sonksen ..... D6/85 X
- 3,092,258 6/1963 Bleed ..... 211/163
- 3,231,097 1/1966 Hodson ..... 206/44 R
- 3,502,226 3/1970 Marschak ..... 211/163

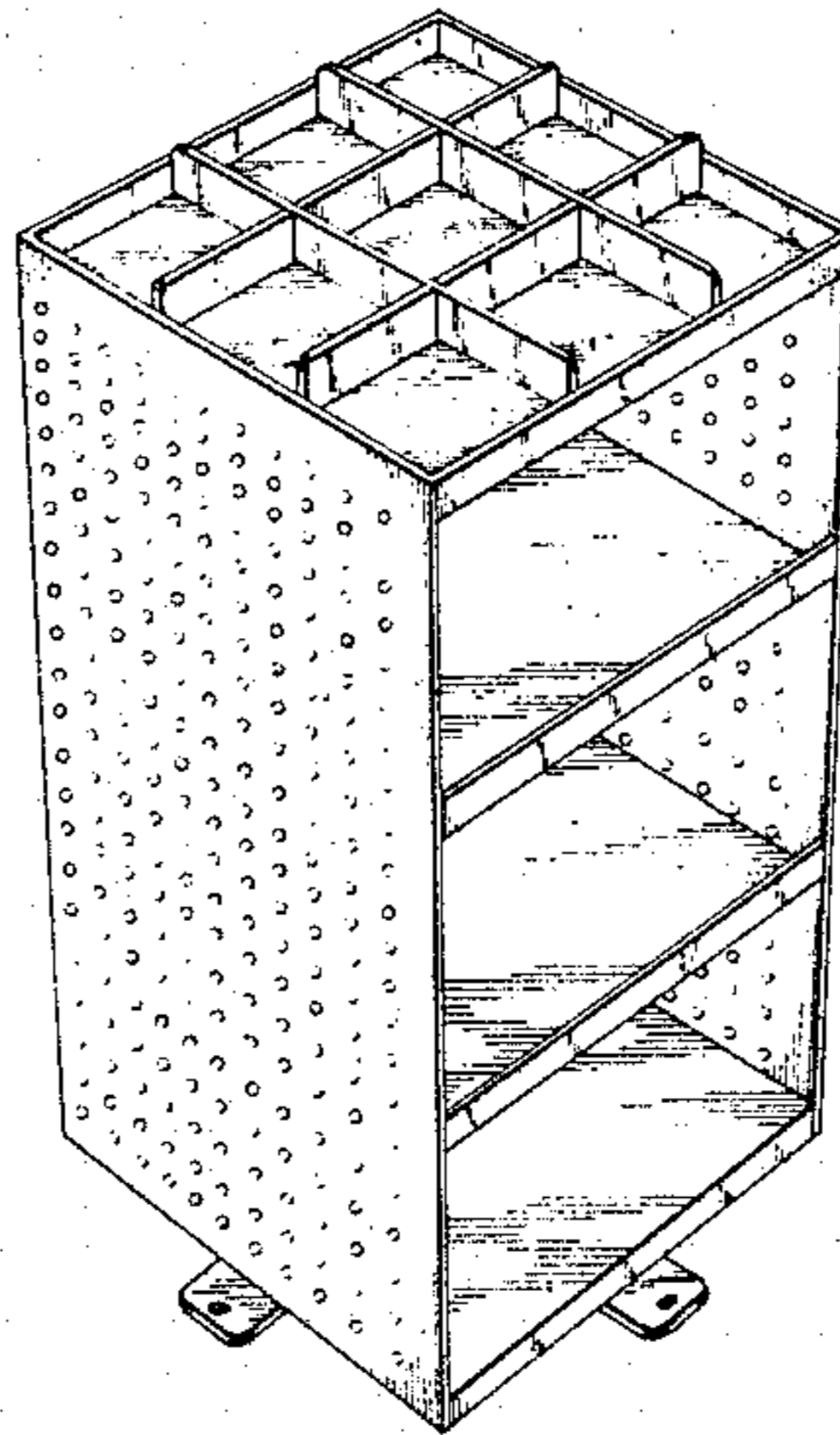
Primary Examiner—Carmen H. Vales  
Attorney, Agent, or Firm—Emrich & Dithmar

[57] CLAIM

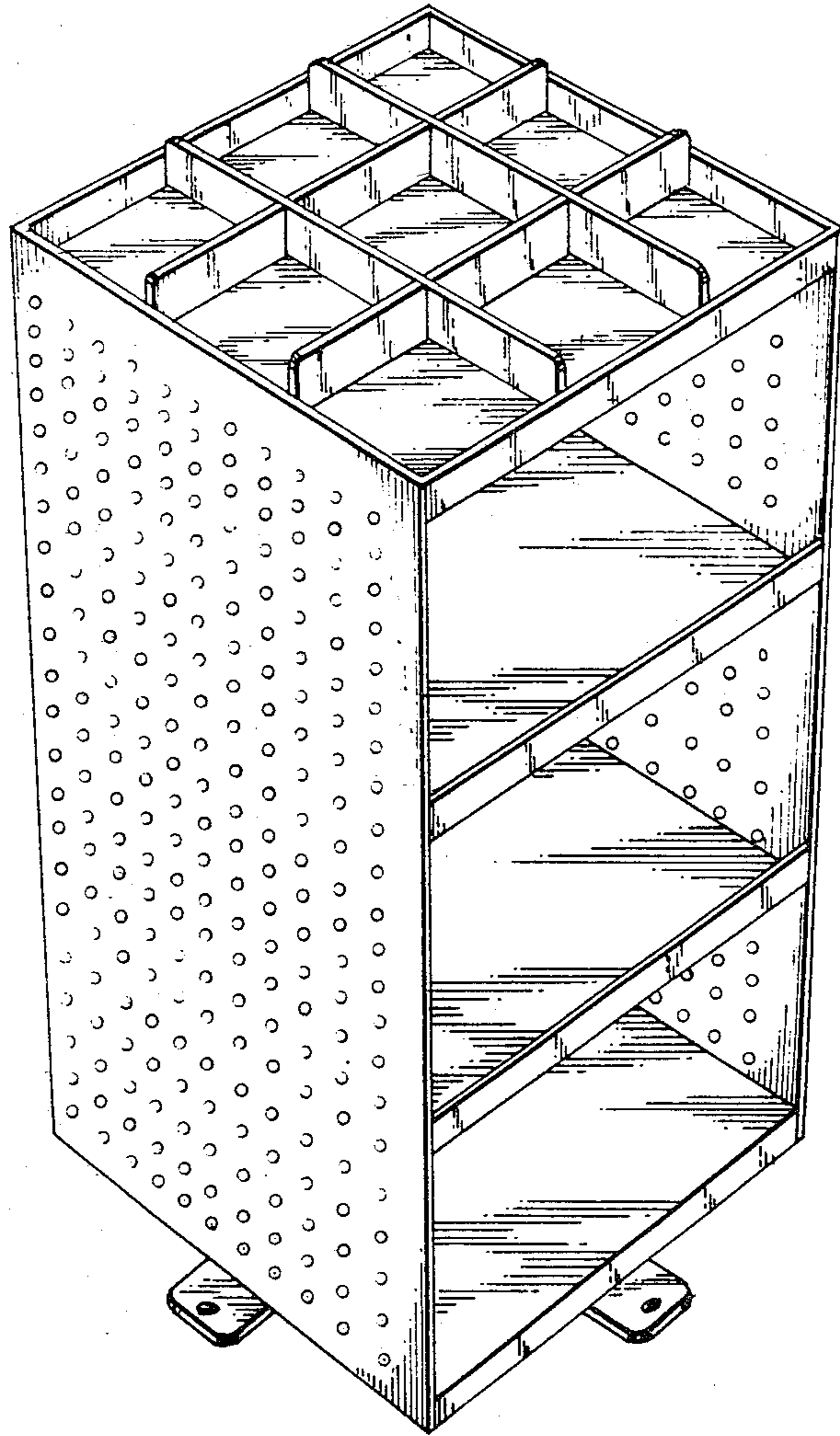
The ornamental design for a rotating tool storage cabinet with shelves, as shown.

DESCRIPTION

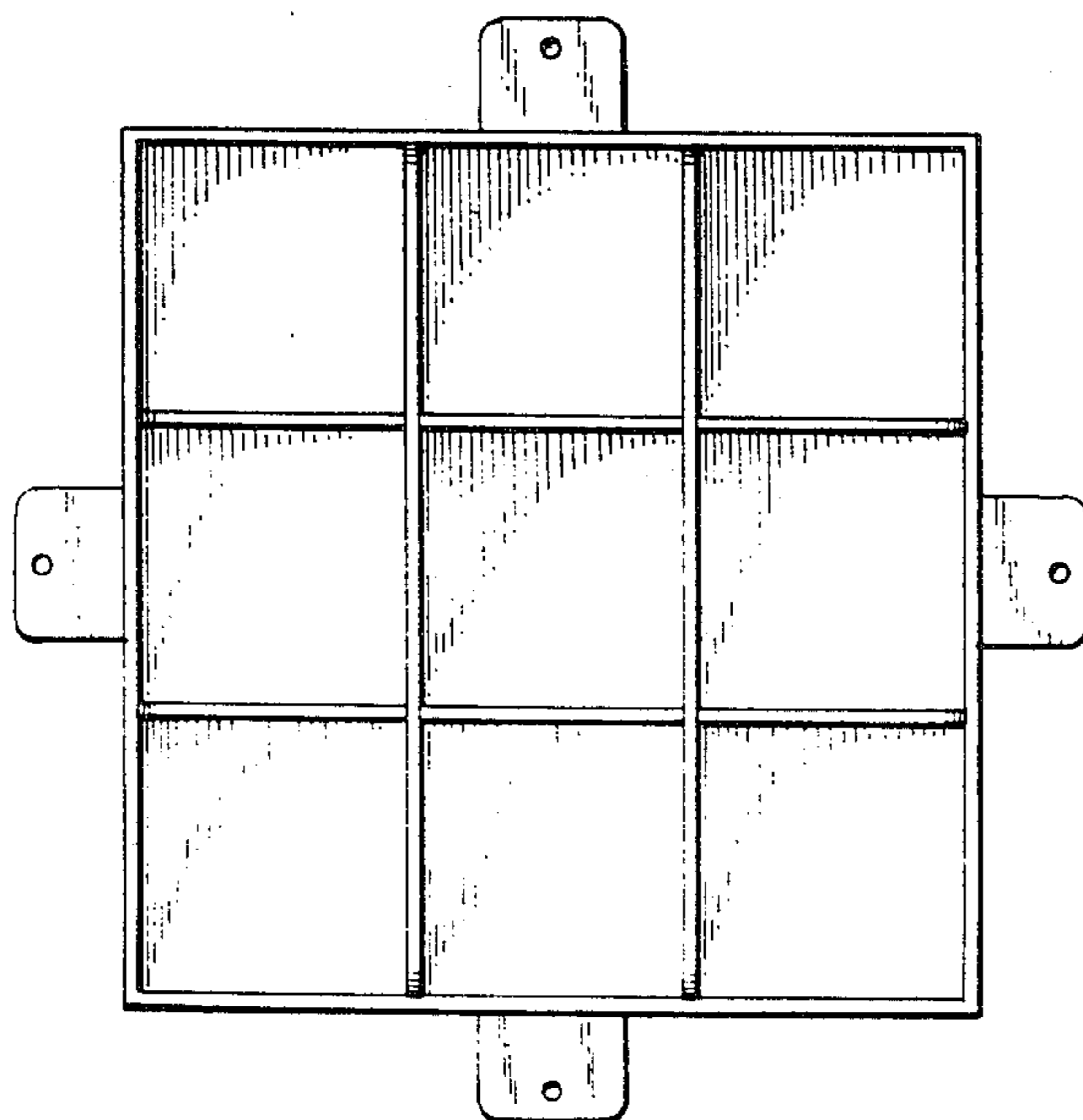
FIG. 1 is a top, left, front perspective view of a rotating tool storage cabinet with shelves showing my new design;  
 FIG. 2 is a top plan view thereof;  
 FIG. 3 is a front elevational view thereof;  
 FIG. 4 is a side elevational view thereof; and  
 FIG. 5 is a bottom plan view thereof.



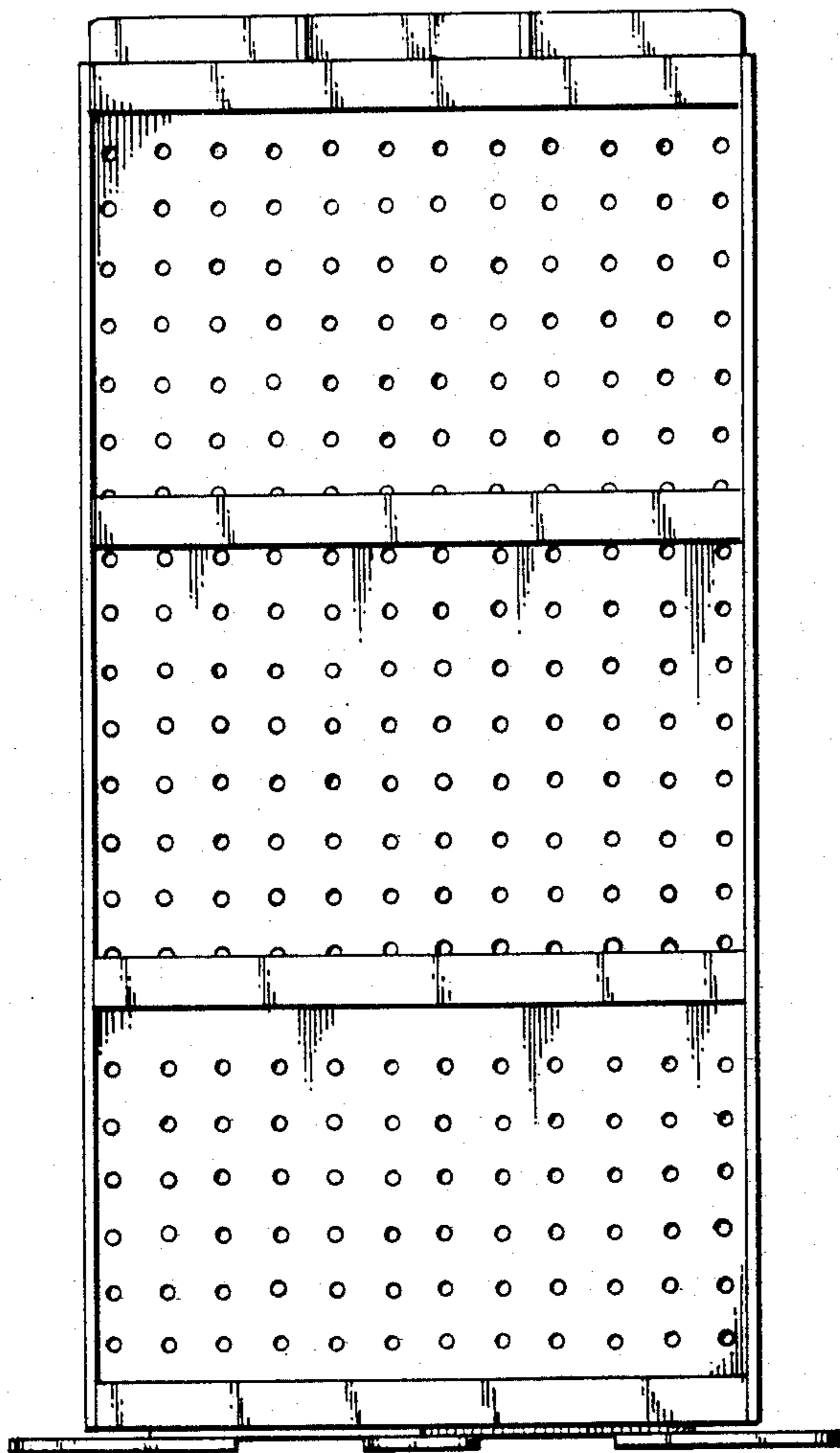
*Fig. 1*



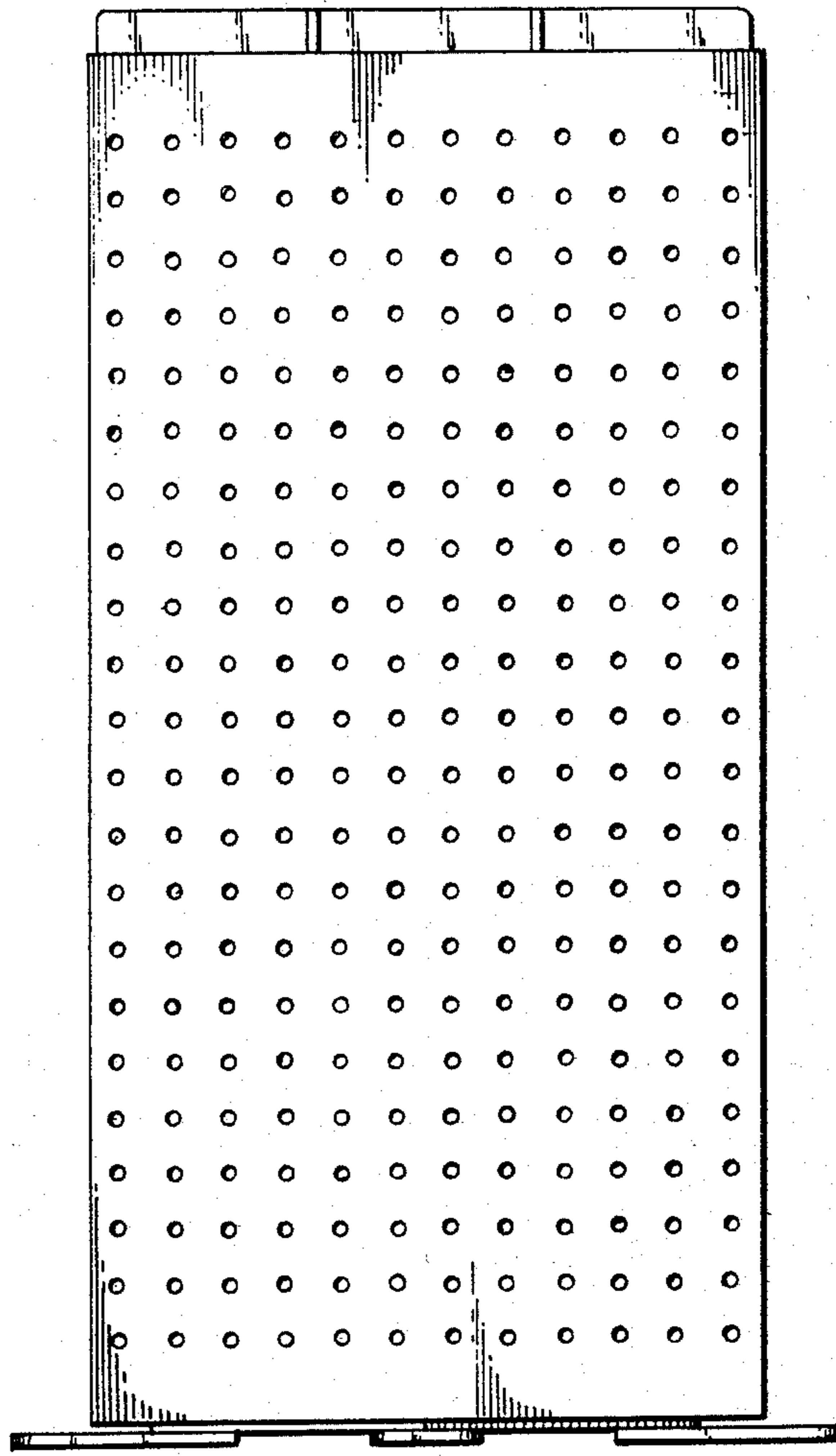
*Fig. 2*



*Fig. 3*



*Fig. 4*



*Fig. 5*

