

[54] STEREO STAND

1175217 3/1959 France 108/92

[76] Inventor: Lonzie Leath, 3810 Kimball Ridge Dr., Dallas, Tex. 75233

OTHER PUBLICATIONS

[**] Term: 14 Years

"Displayette" by Hugh Lyons & Co., p. 1, Modernistic Displayer #3017, bottom left of page.

[21] Appl. No.: 410,352

Display Fixtures by Darling Displays Brochure #310, p. 46, Shoe Stand Display #SL223, top right of page.

[22] Filed: Aug. 23, 1982

Visual Merchandising, Jan. 1978, p. 57, 4-Shelf Display Lamp, bottom left of page.

[52] U.S. Cl. D6/474; D6/476

[58] Field of Search D6/85, 157, 151, 181, D6/186, 182, 183, 184, 185, 190, 23, 24; 108/59, 64, 92, 101, 111

Primary Examiner—Bernard Ansher

Assistant Examiner—Carmen H. Vales

Attorney, Agent, or Firm—Kanz, Scherback & Timmons

[56] References Cited

[57] CLAIM

U.S. PATENT DOCUMENTS

The ornamental design for a stereo stand, substantially as shown.

- D. 45,763 5/1914 Moberg D6/182 X
- D. 254,886 5/1980 Haines D6/183
- D. 262,076 12/1981 Pracon D6/185 X
- 2,435,132 1/1948 D'Horaene 108/101
- 2,456,737 12/1948 Schever D6/85 X

DESCRIPTION

FOREIGN PATENT DOCUMENTS

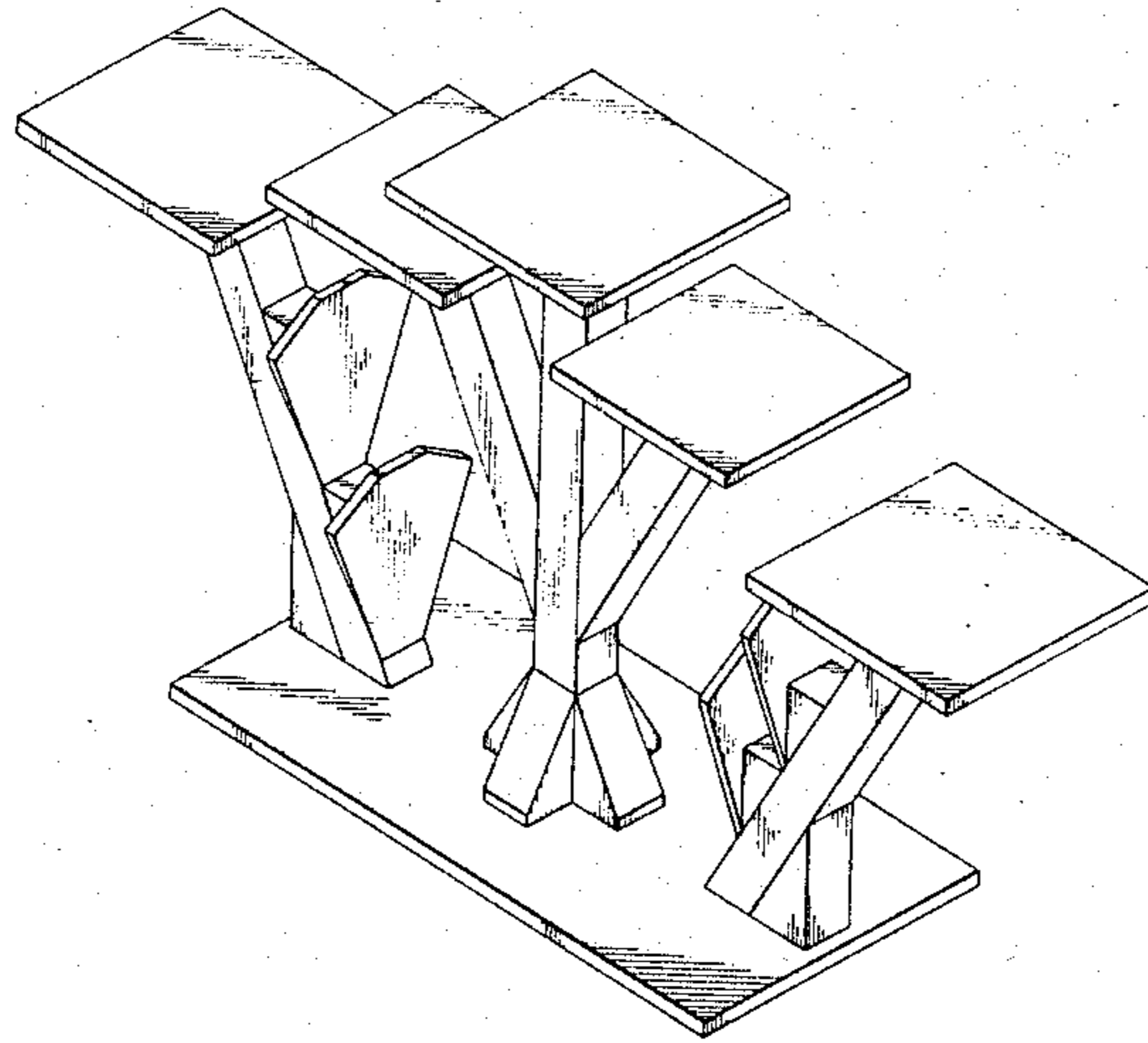
- 221740 6/1962 Austria 108/92

FIG. 1 is a perspective view of a stereo stand showing my new design;

FIG. 2 is a front elevational view thereof;

FIG. 3 is a right side elevational view thereof; and

FIG. 4 is a bottom plan view thereof.



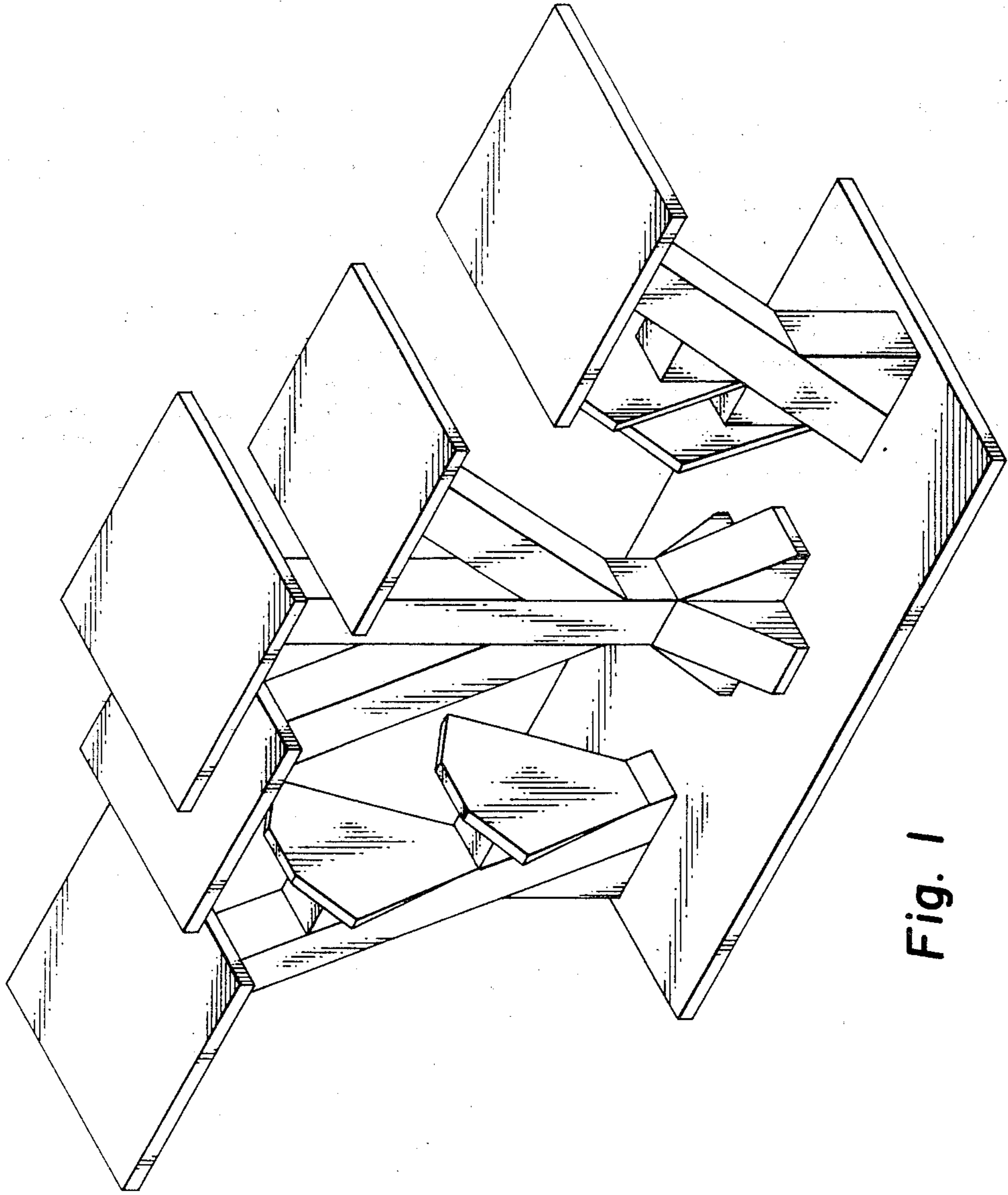


Fig. 1

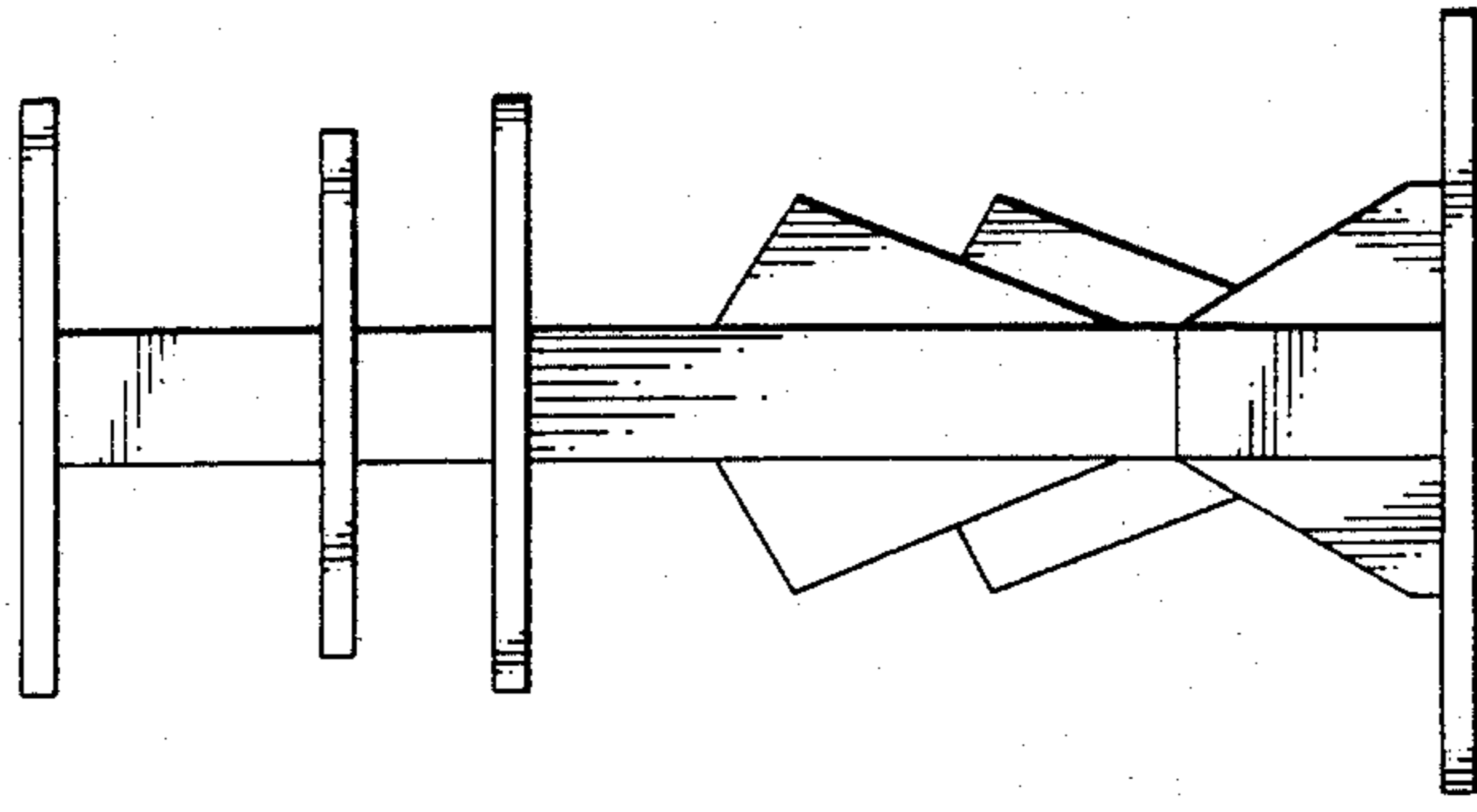


Fig. 3

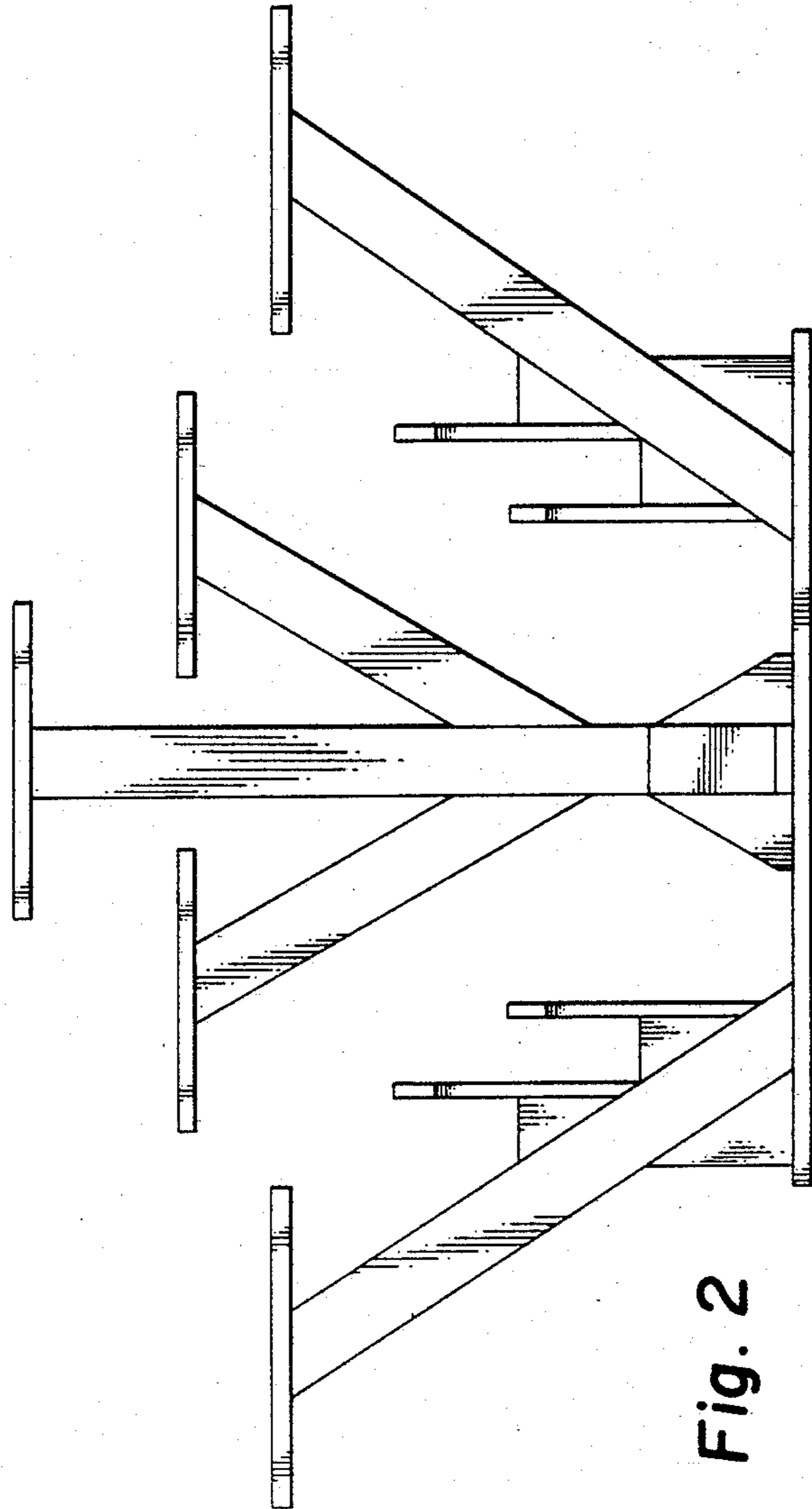


Fig. 2

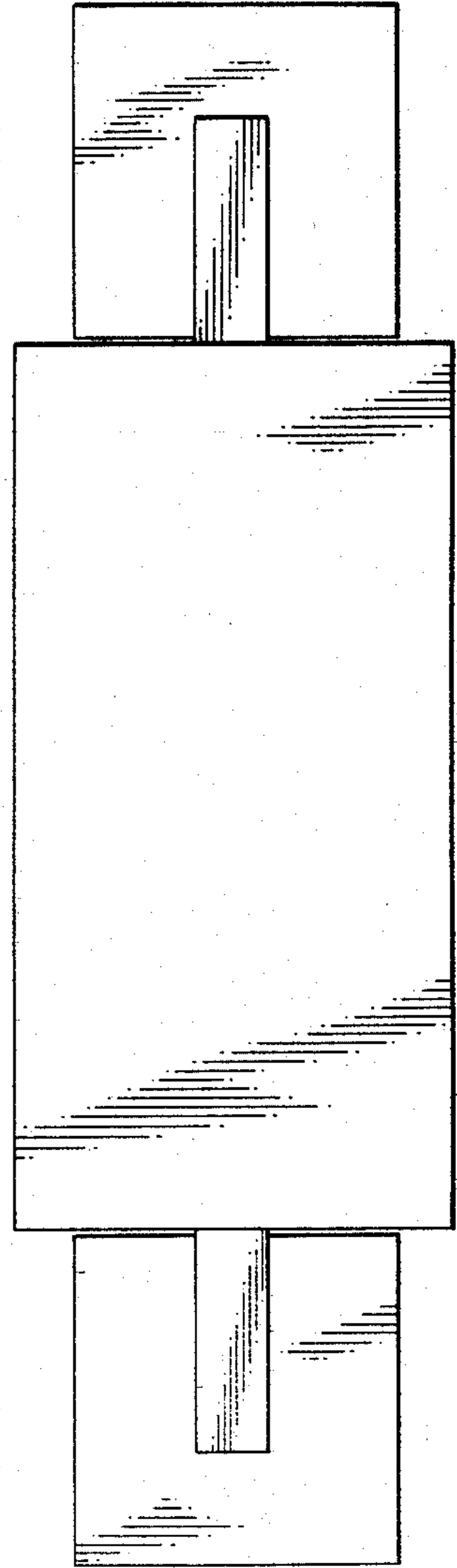


Fig. 4