

[54] TABLE

[75] Inventor: Franco Passarello, Novara, Italy

[73] Assignee: Fratelli Saporiti Industria
Arredamenti di Saporiti Sergio e
Giorgio, Besnate, Italy

[**] Term: 14 Years

[21] Appl. No.: 406,675

[22] Filed: Aug. 9, 1982

[52] U.S. Cl. D6/483

[58] Field of Search D6/175, 177, 179, 146

[56] References Cited

PUBLICATIONS

Interiors, May 1976, p. 56, Table No. 3000.

Primary Examiner—Bruce W. Dunkins

Attorney, Agent, or Firm—Kuhn, Muller and Bazerman

[57] CLAIM

The ornamental design for a table, as shown and described.

DESCRIPTION

FIG. 1 is a right side perspective view illustrating a first embodiment of the table;
FIG. 2 is a left side perspective view of the table of FIG. 1;
FIG. 3 is a front perspective view of the table of FIG. 1;
FIG. 4 is a right side view of the table of FIG. 1;
FIG. 5 is a left side view of the table of FIG. 1;
FIG. 6 is a front view of the table of FIG. 1;
FIG. 7 is a plan view of the table of FIG. 1;
FIG. 8 is a front perspective view of a second embodiment of the table;
FIG. 9 is a left side perspective view of the table of FIG. 8;
FIG. 10 is a right side perspective view of the table of FIG. 8;
FIG. 11 is a left side view of the table of FIG. 8;
FIG. 12 is a right side view of the table of FIG. 8;
FIG. 13 is a front side view of the table of FIG. 8; and
FIG. 14 is a top plan view of the table of FIG. 8.

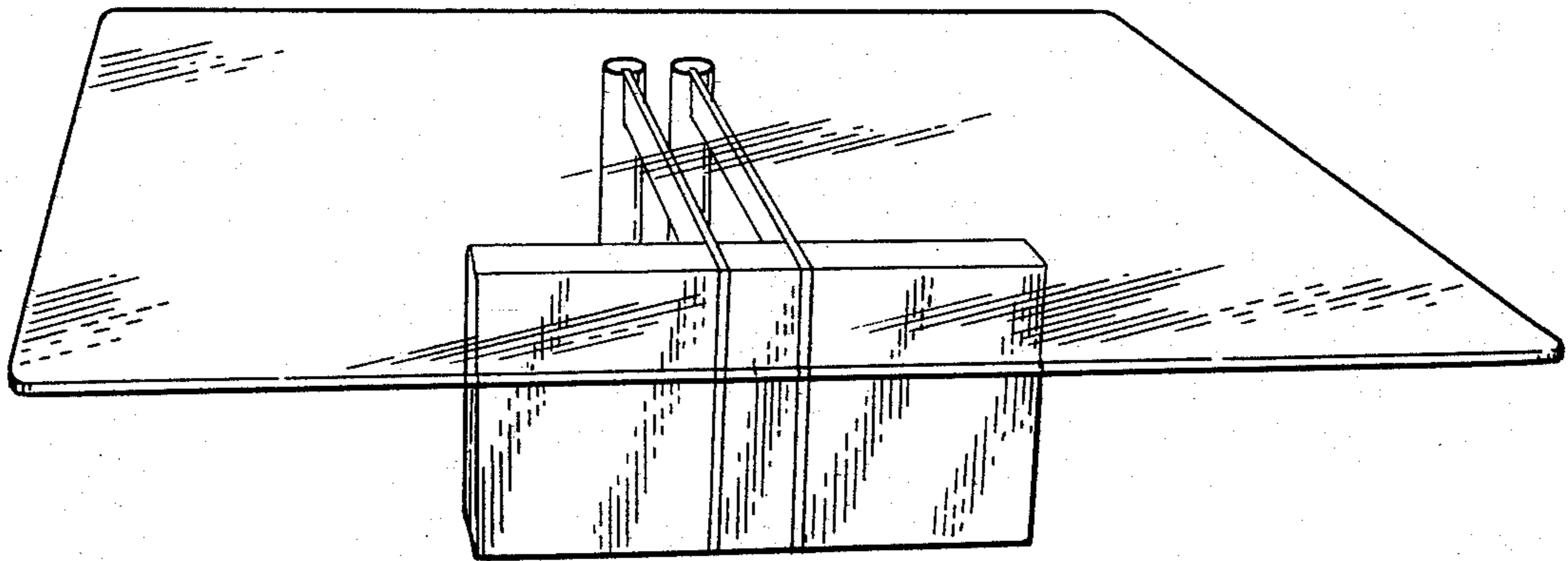


FIG. 1

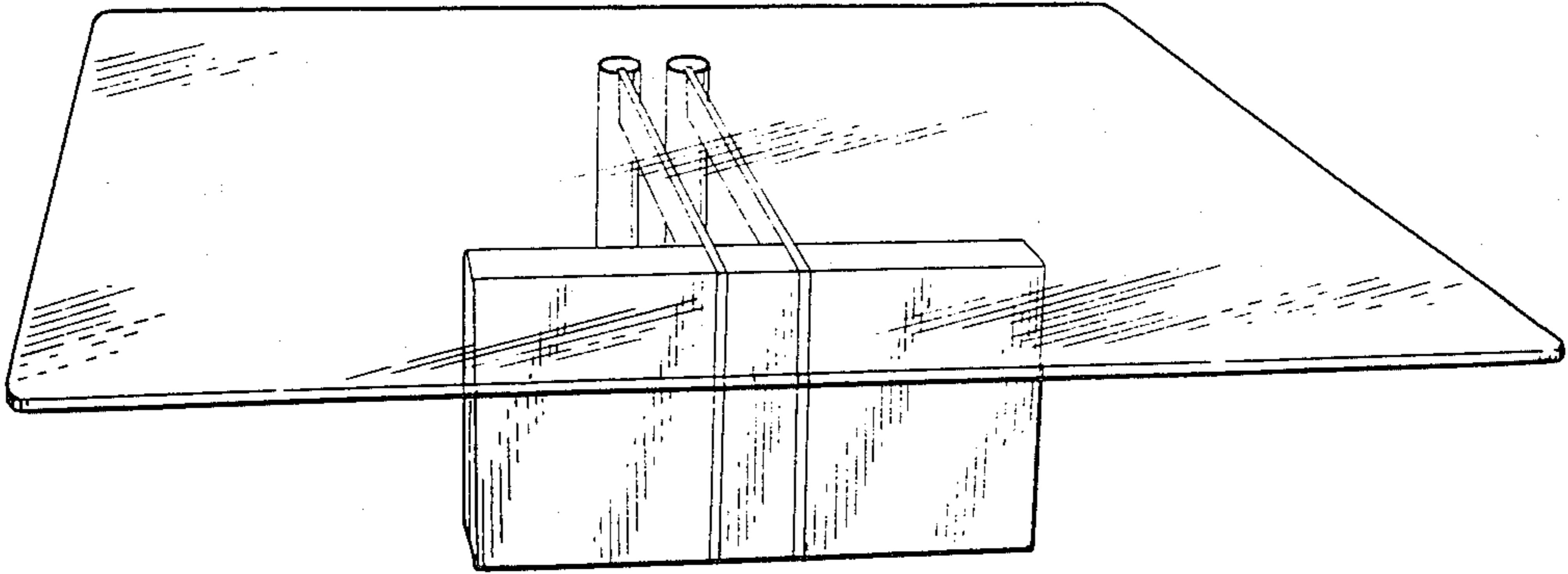


FIG. 2

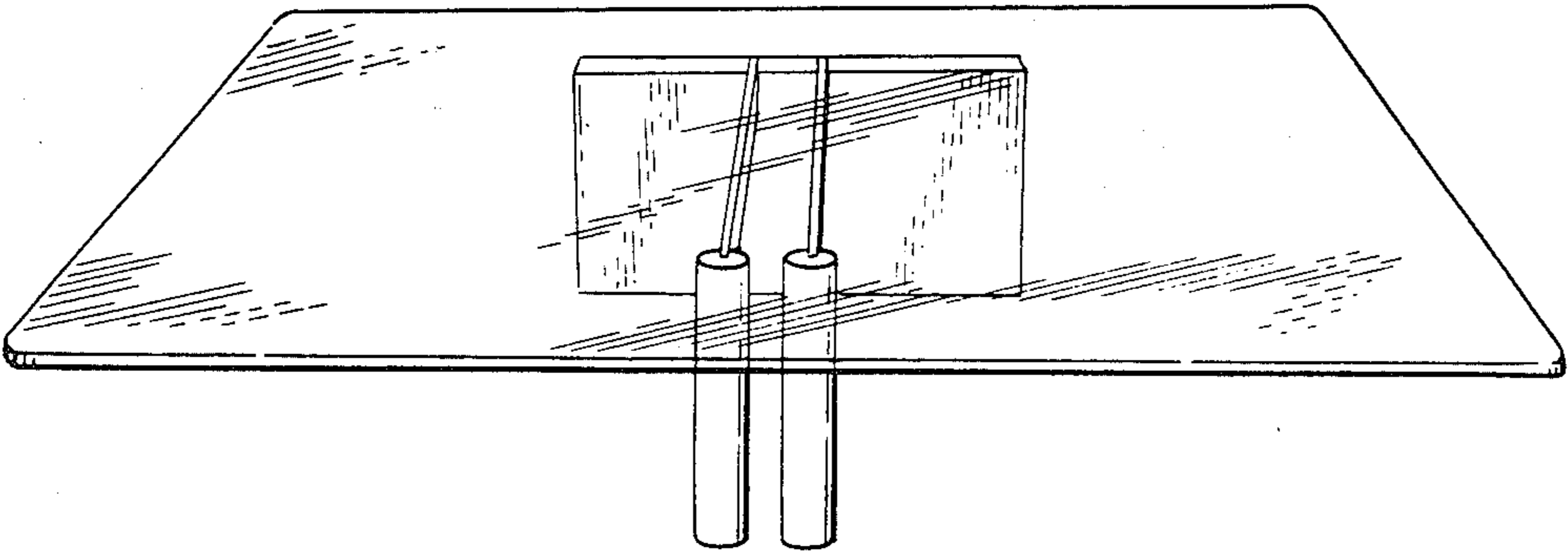
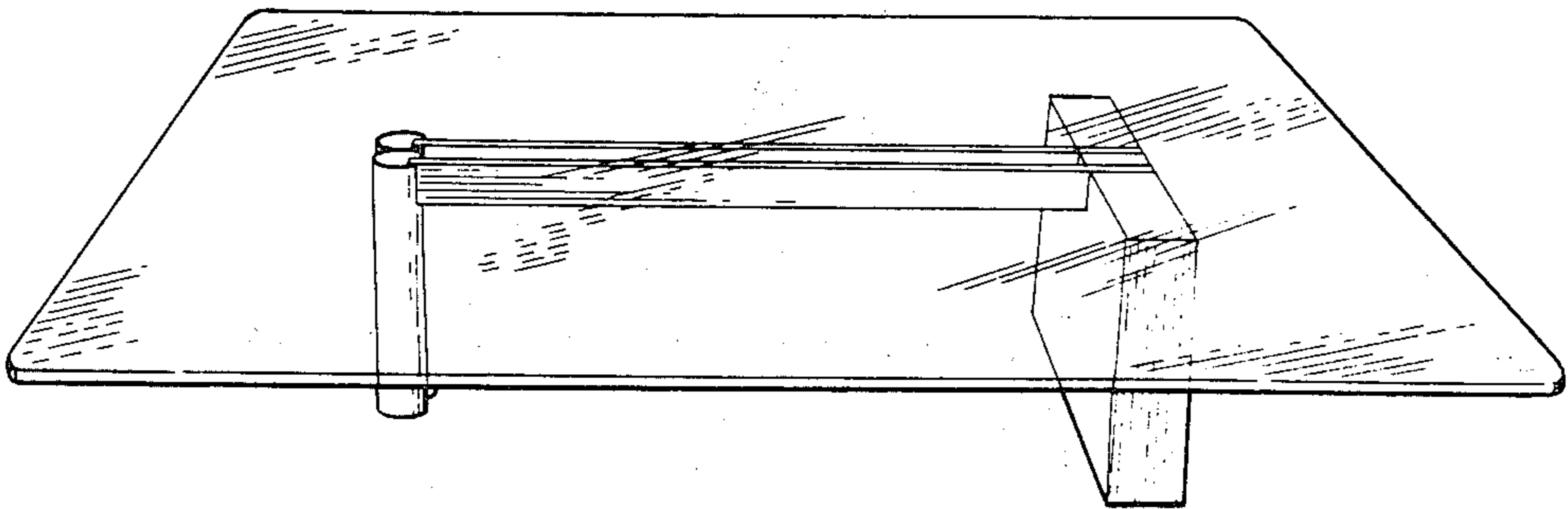


FIG. 3



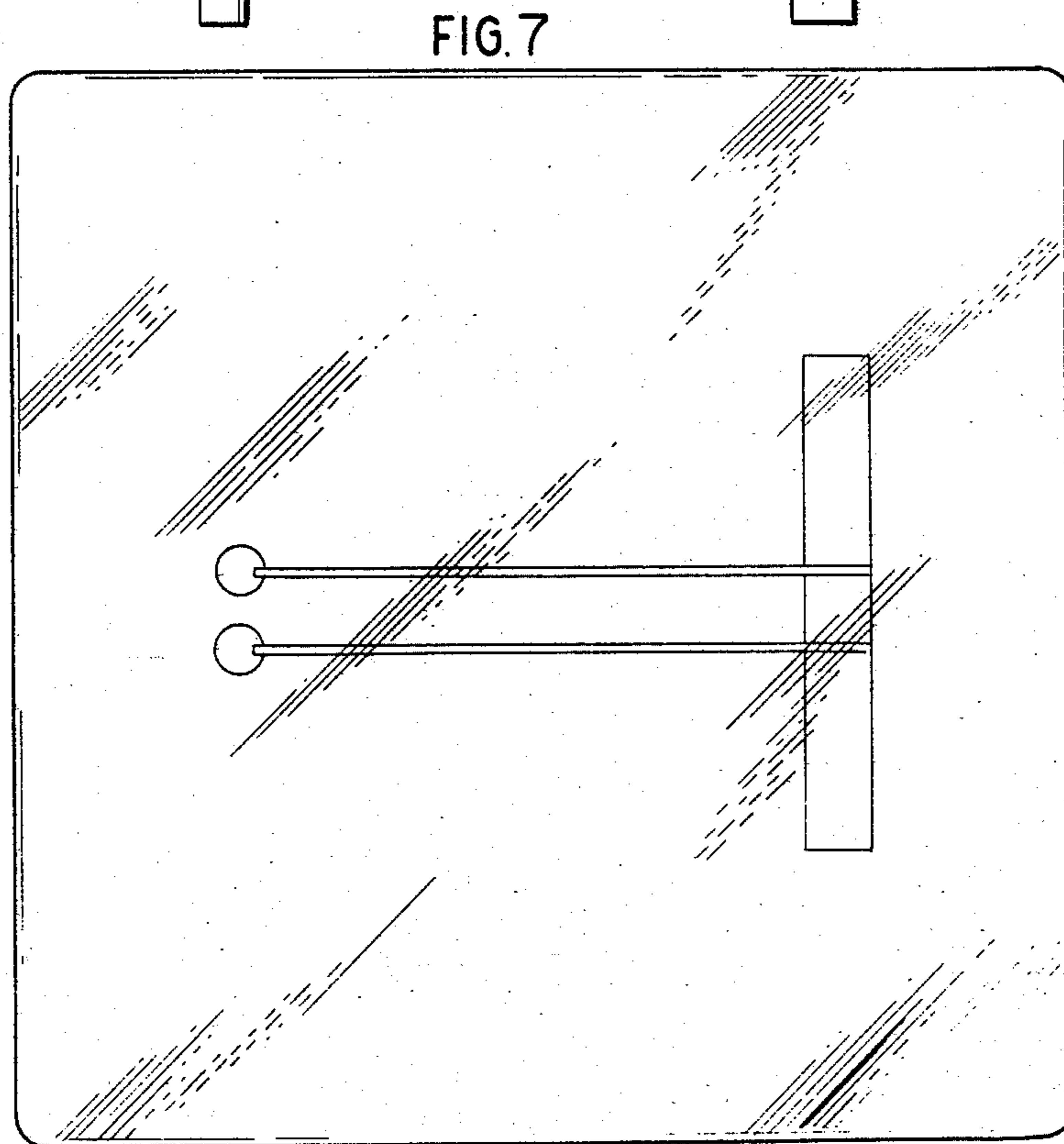
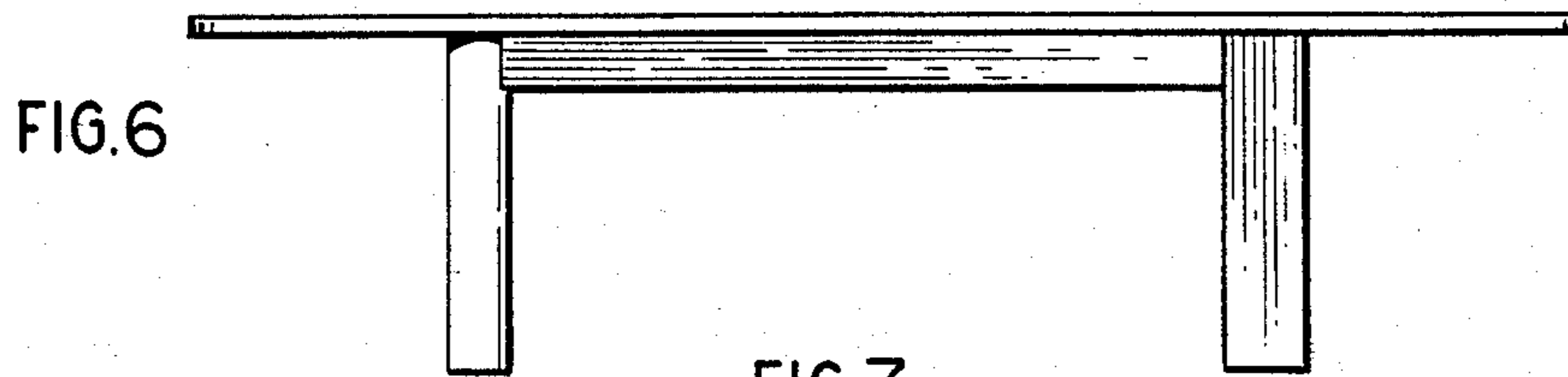
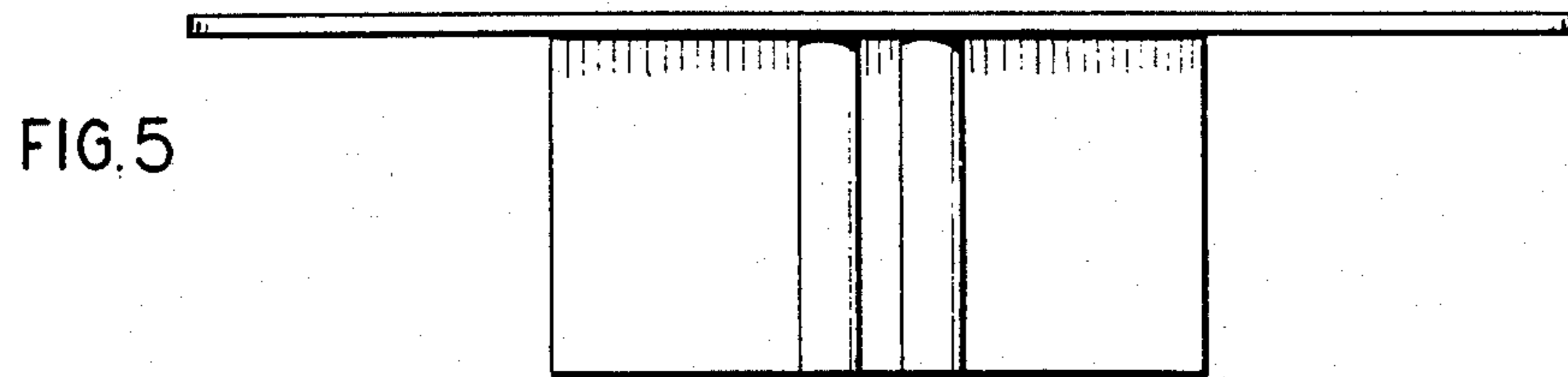
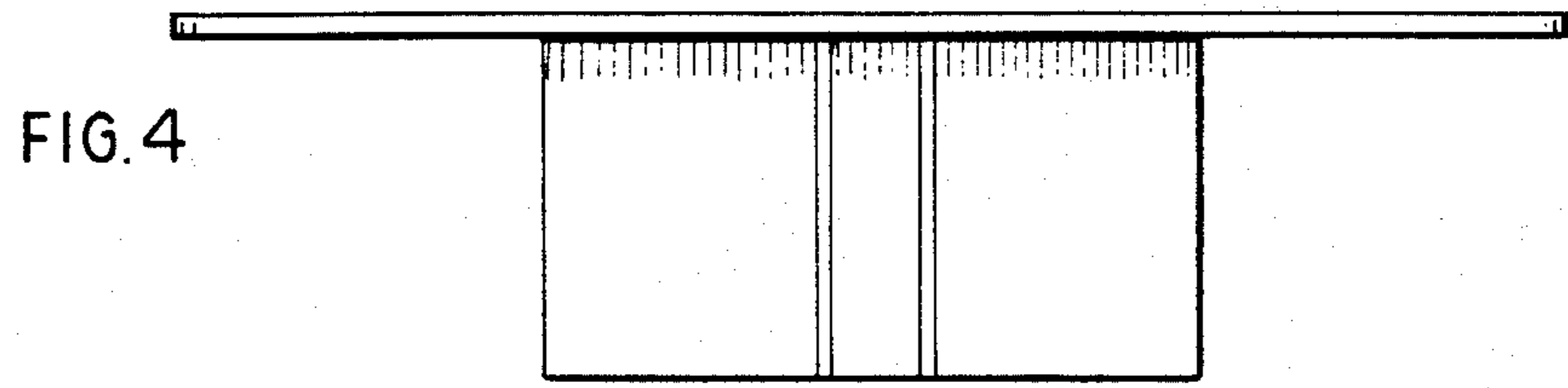


FIG. 8

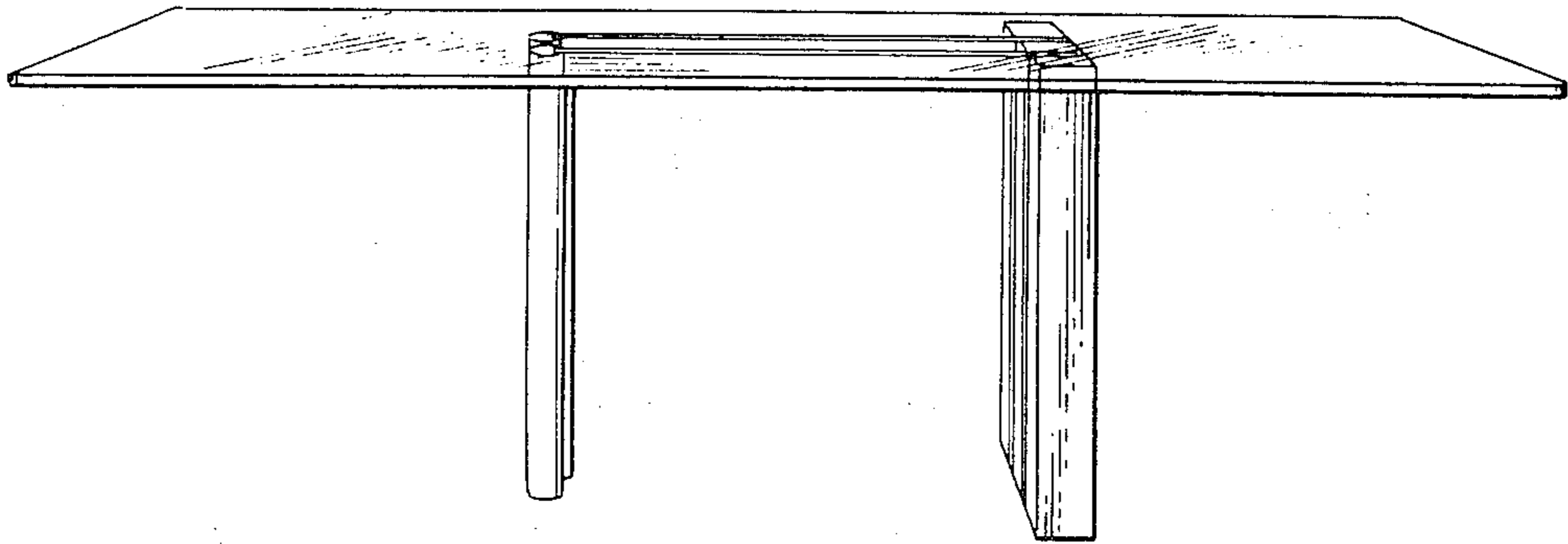


FIG. 10

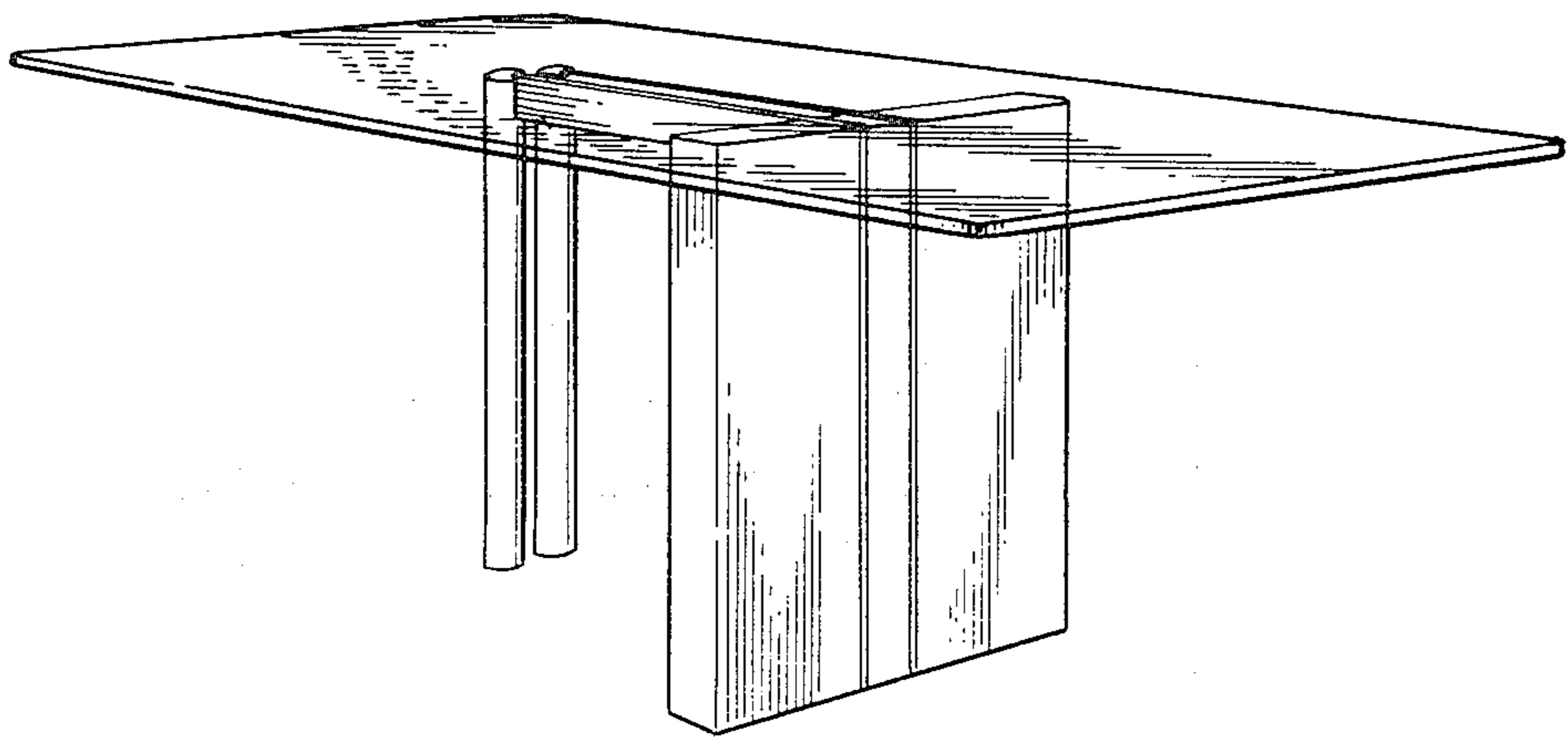


FIG. 14

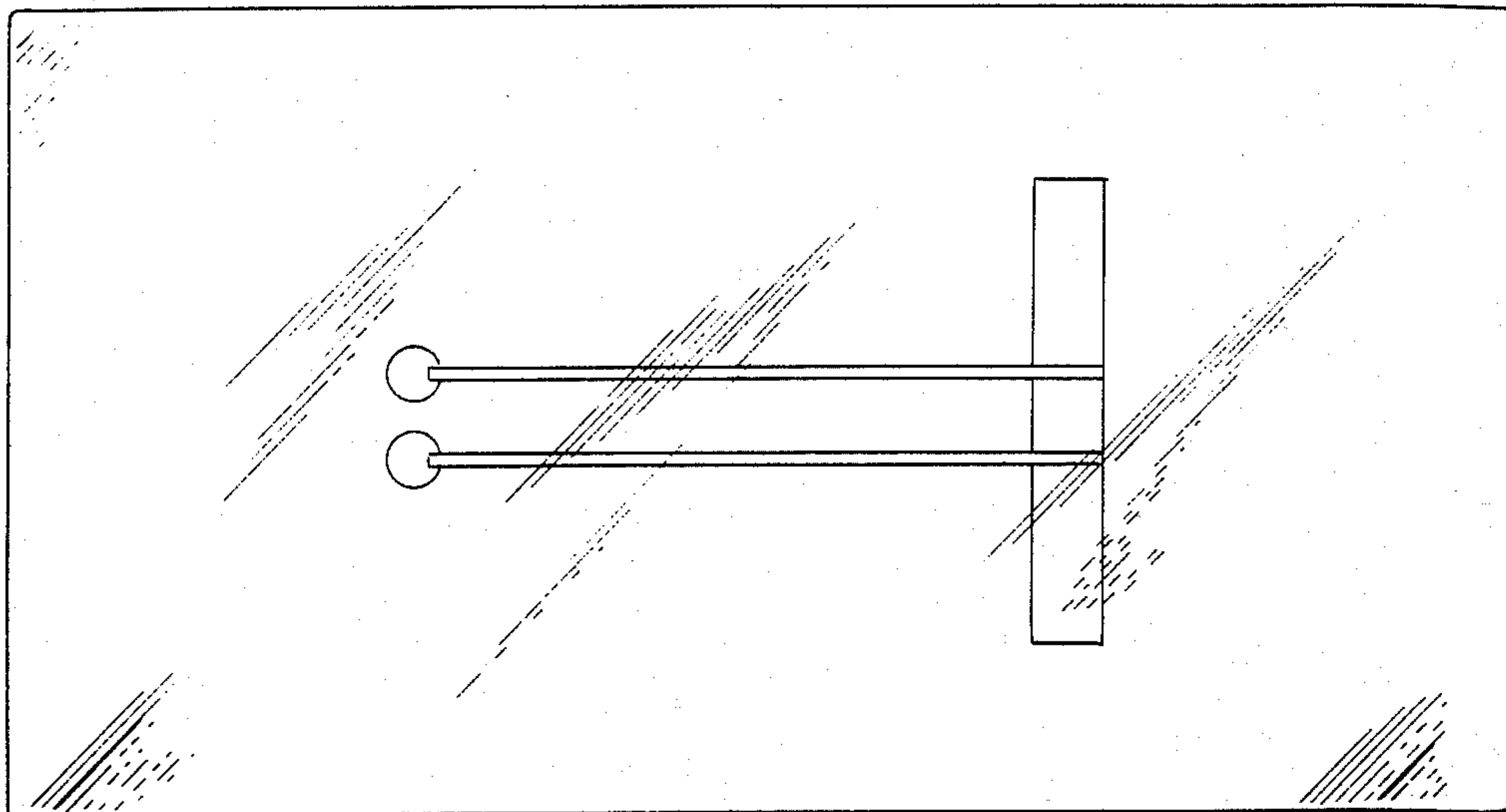


FIG. 9

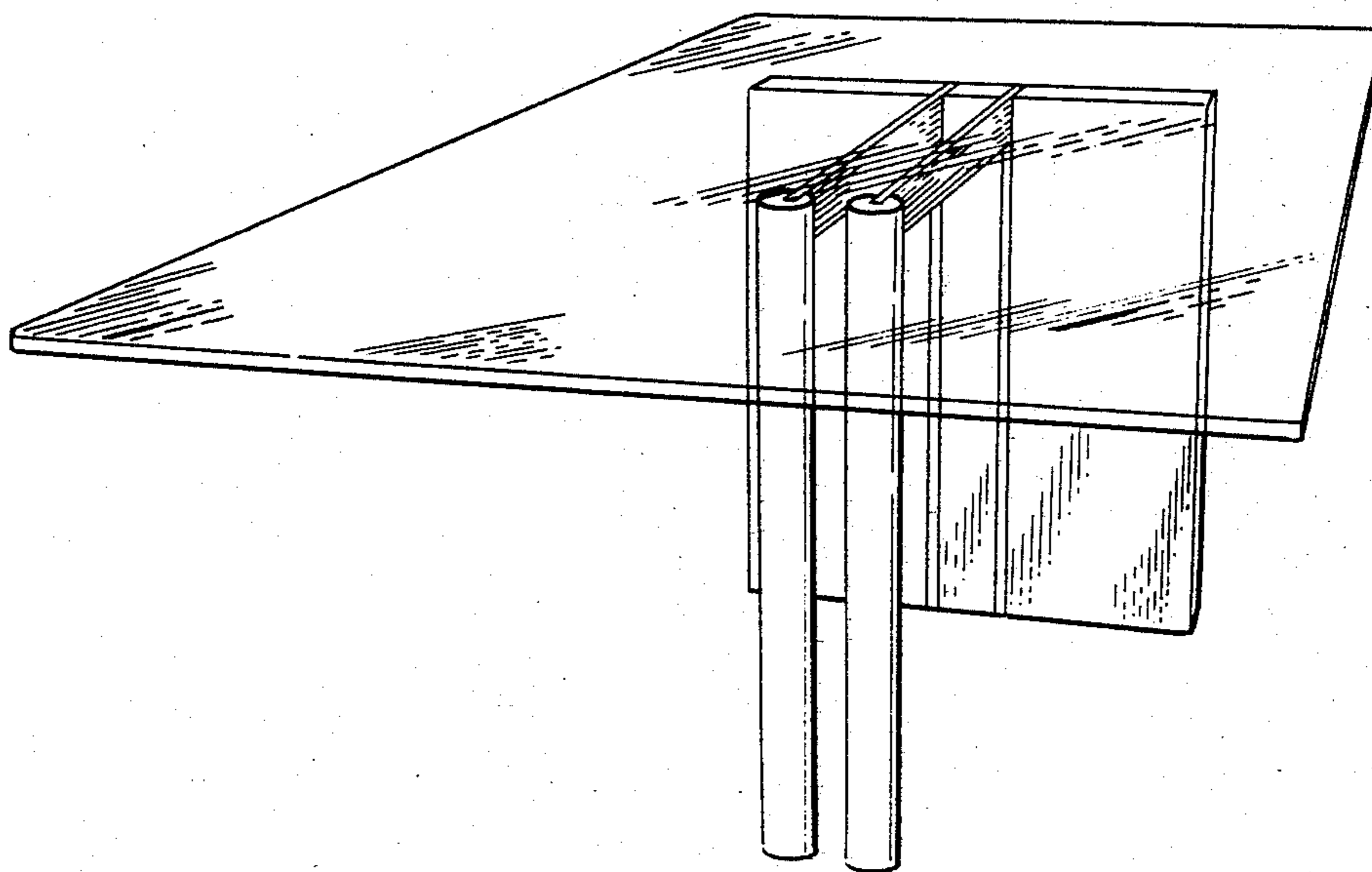


FIG. 11

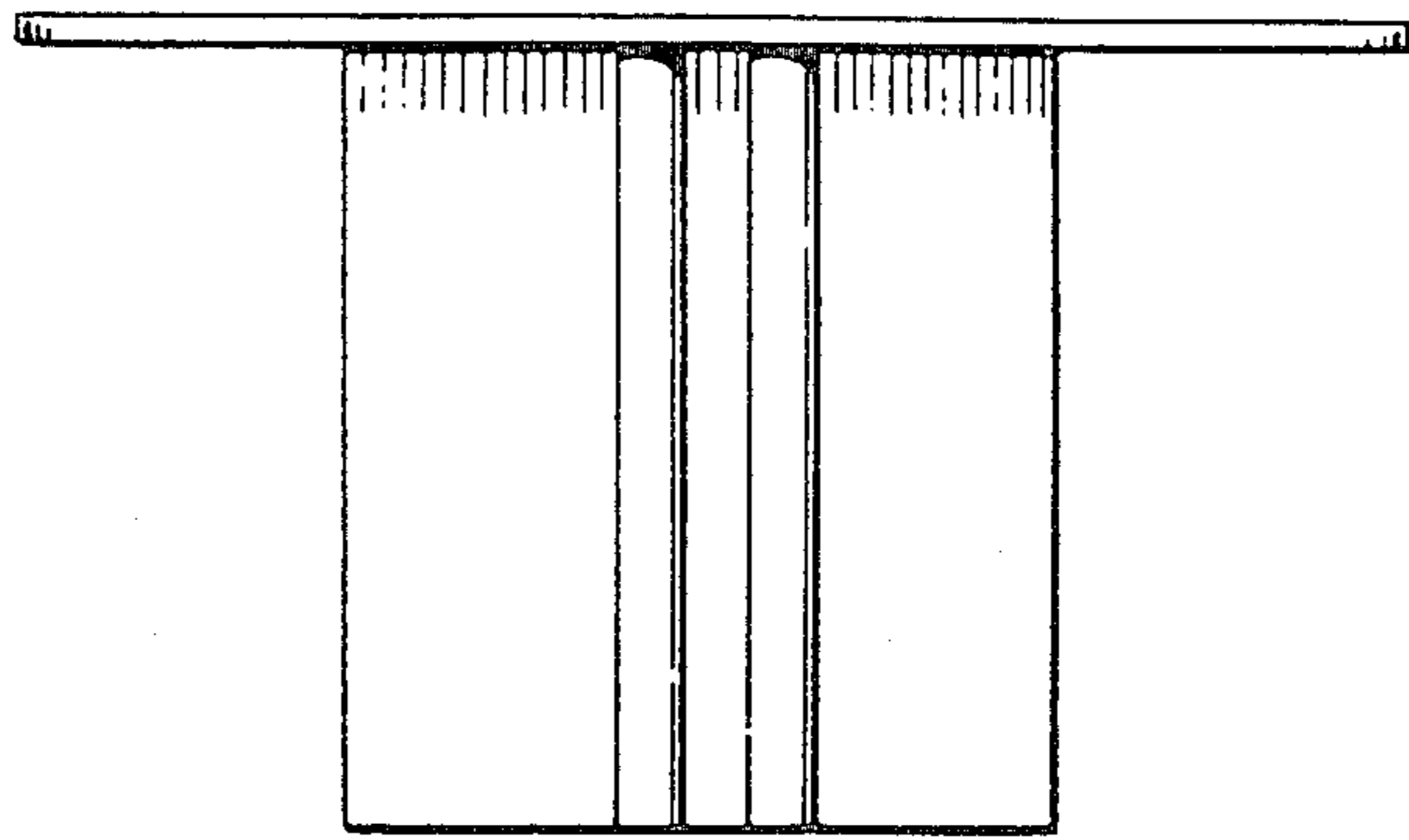


FIG. 12

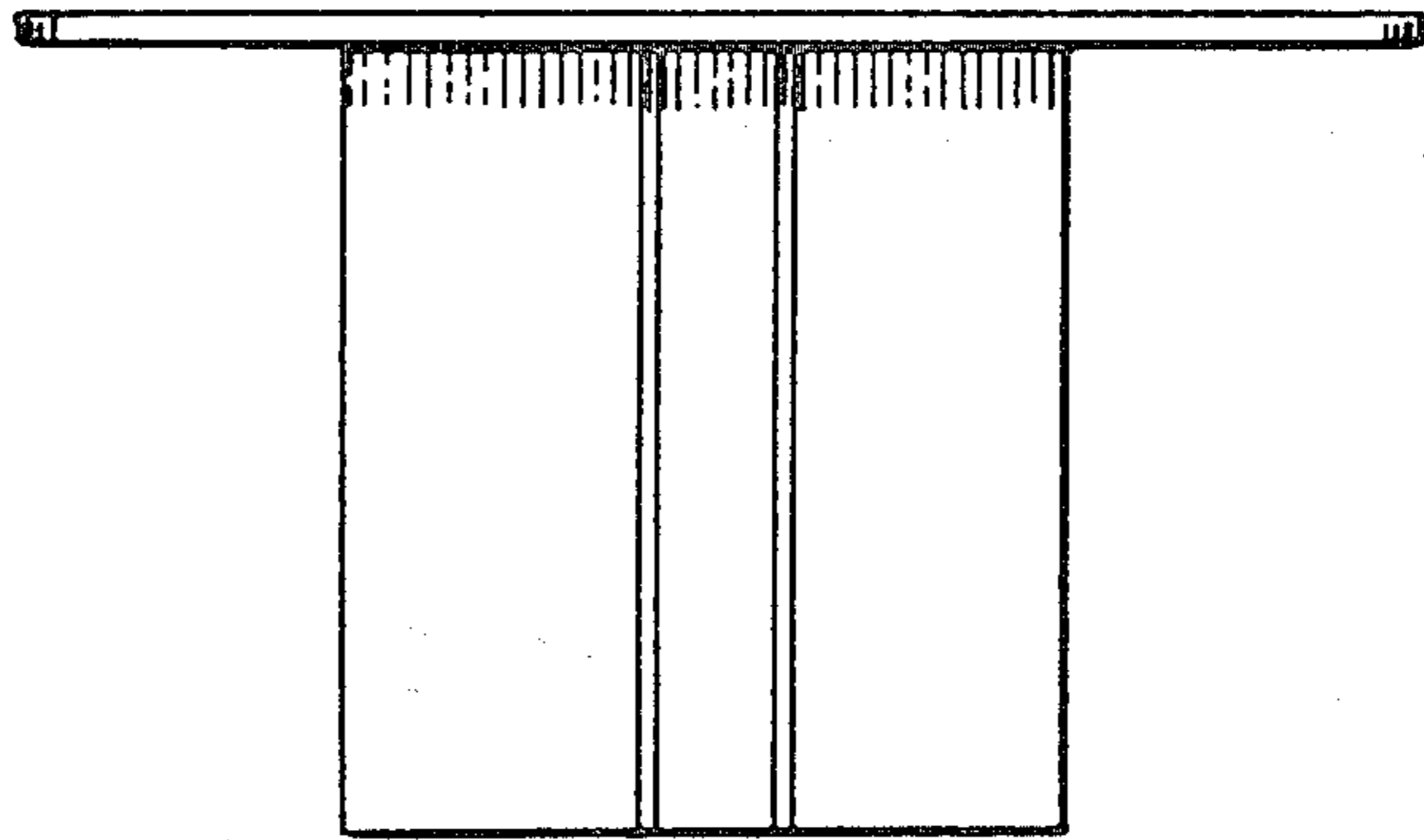


FIG. 13

