

- [54] EXTENDABLE TIE RACK AND COVER THEREFOR
- [75] Inventor: Charles E. Benedict, Tallahassee, Fla.
- [73] Assignee: Telescoping Tie Racks, Inc., Winter Haven, Fla.
- [**] Term: 14 Years
- [21] Appl. No.: 453,053
- [22] Filed: Dec. 27, 1982
- [52] U.S. Cl. D6/315
- [58] Field of Search D6/114, 115, 116, 117, D6/118, 124; 211/1.3, 13, 87, 94, 105.3

- 3,116,837 1/1964 Kelly .
- 3,124,253 3/1964 Petrich .
- 3,335,872 8/1967 Dodich .
- 3,389,807 6/1968 Manning et al. .
- 3,754,664 8/1973 Kotkins .
- 3,897,122 7/1975 McEvers .
- 3,954,182 5/1976 McEvers .

Primary Examiner—B. J. Bullock
 Attorney, Agent, or Firm—Dowell & Dowell

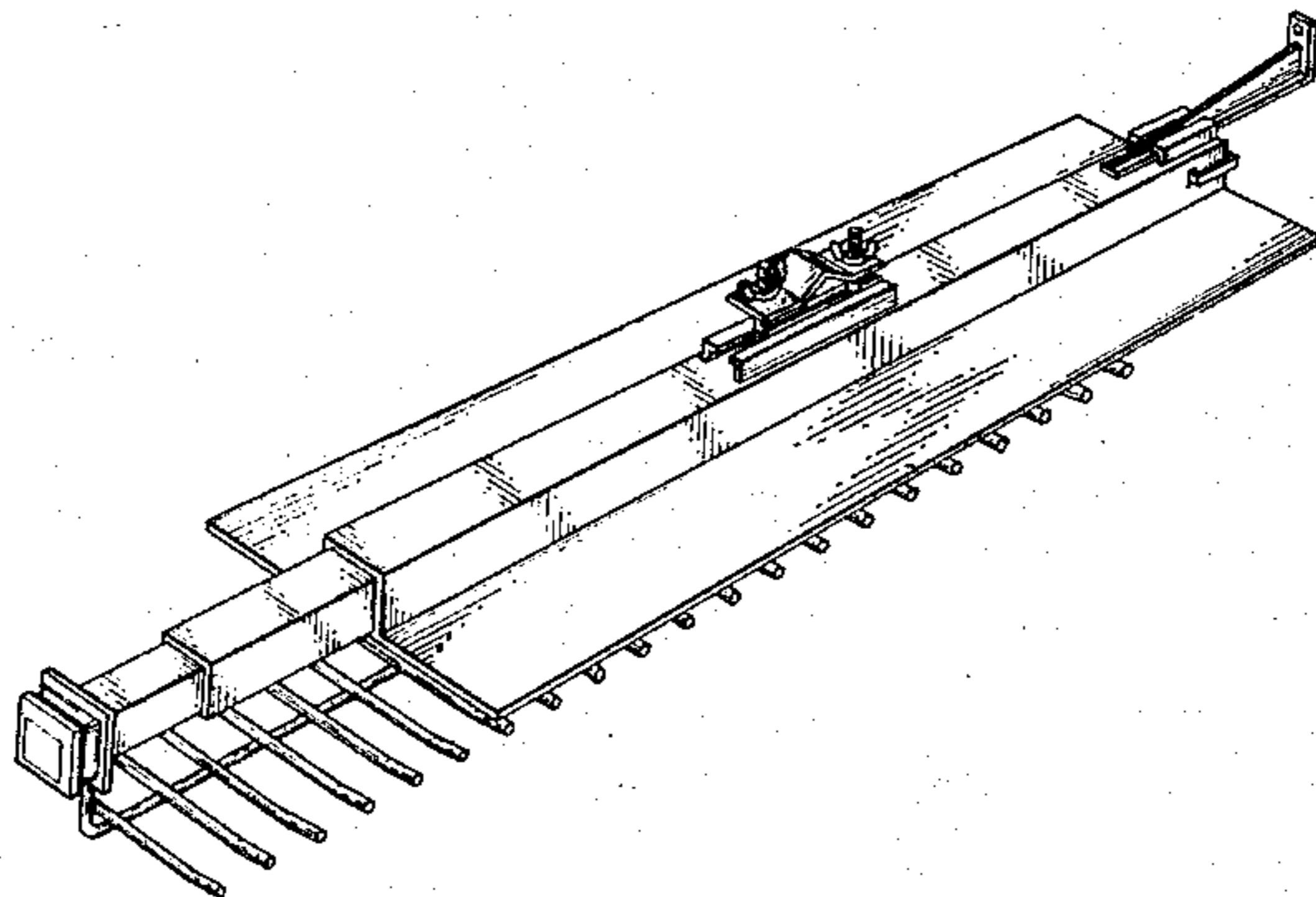
[57] CLAIM

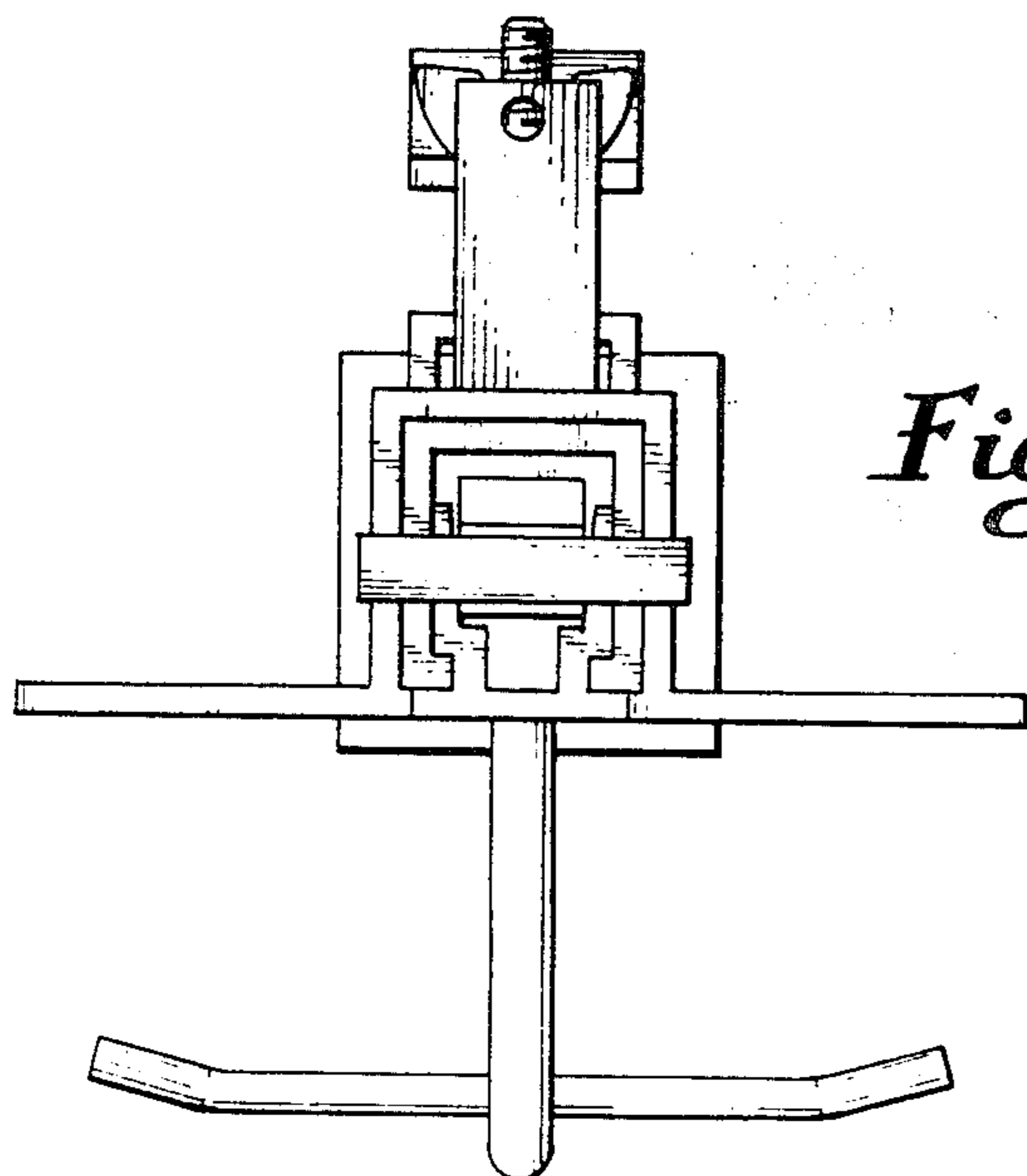
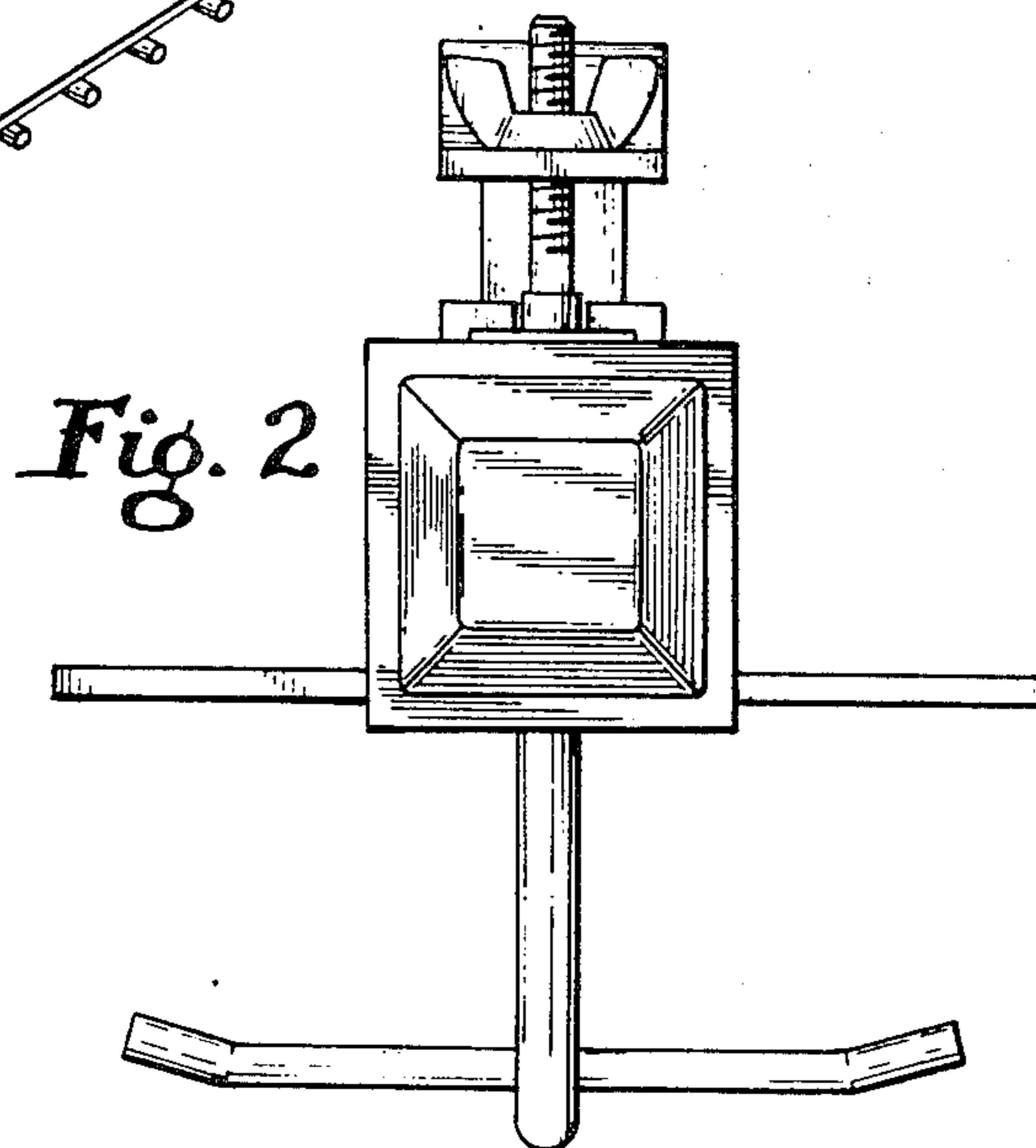
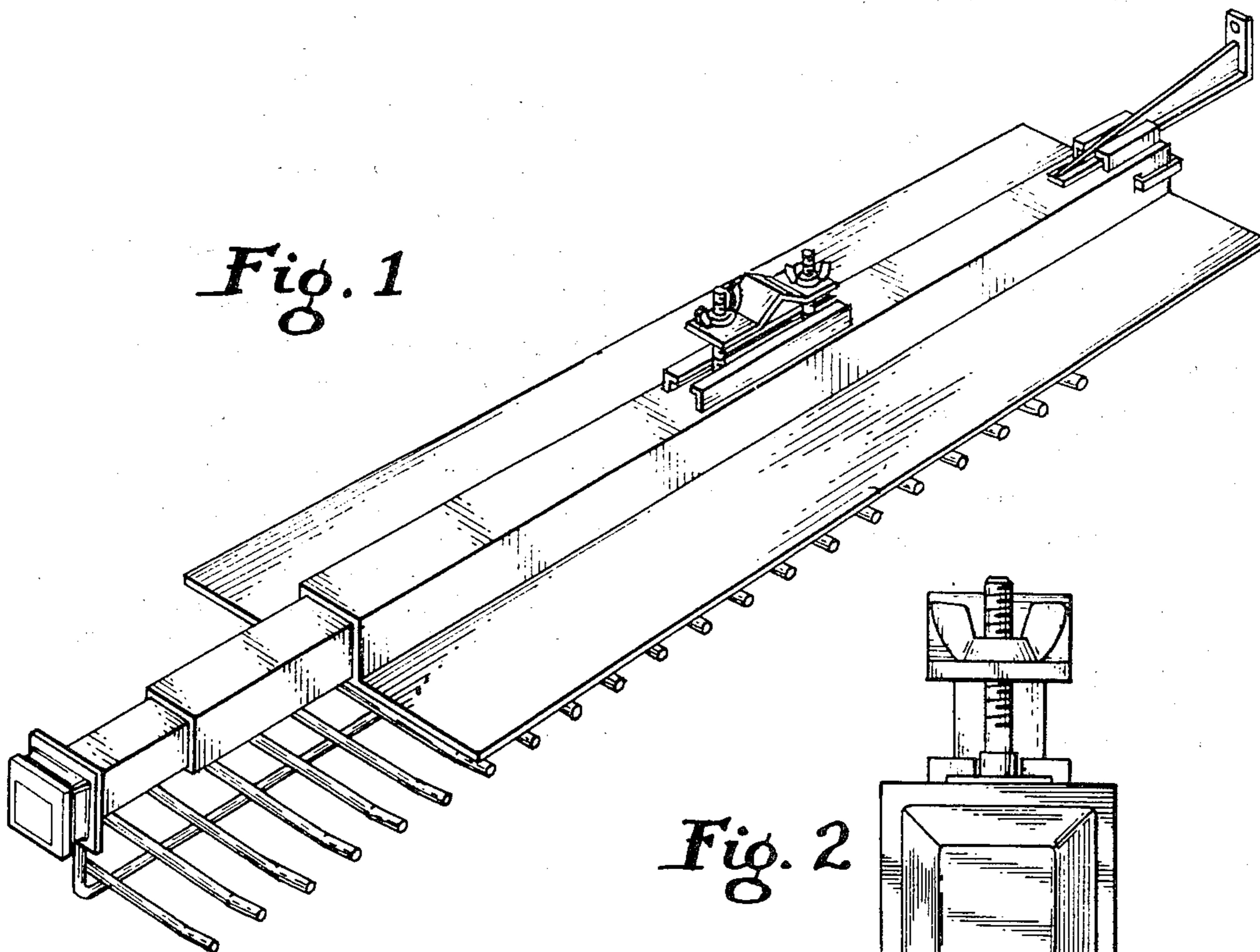
The ornamental design for an extendable tie rack and cover therefor, as shown.

DESCRIPTION

FIG. 1 is a perspective view of an extendable tie rack and cover therefor showing my new design;
 FIG. 2 is an enlarged front elevational view thereof;
 FIG. 3 is an enlarged rear elevational view thereof;
 FIG. 4 is a bottom plan view thereof;
 FIG. 5 is a side elevational view taken from the left of FIG. 1;
 FIG. 6 is an enlarged fragmentary perspective view thereof.

- [56] References Cited
- U.S. PATENT DOCUMENTS
- D. 273,645 5/1984 McEvers D6/117
- 1,415,316 5/1922 Corbin .
- 2,569,761 10/1951 Hibbs 211/1.3
- 2,582,127 1/1952 Hoot 211/87
- 2,917,185 12/1959 Kovacs .
- 2,985,311 5/1961 Abel .





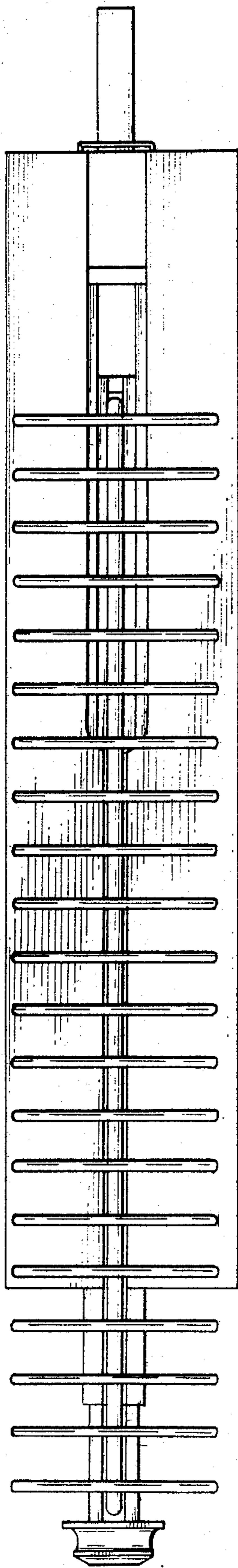


Fig. 4

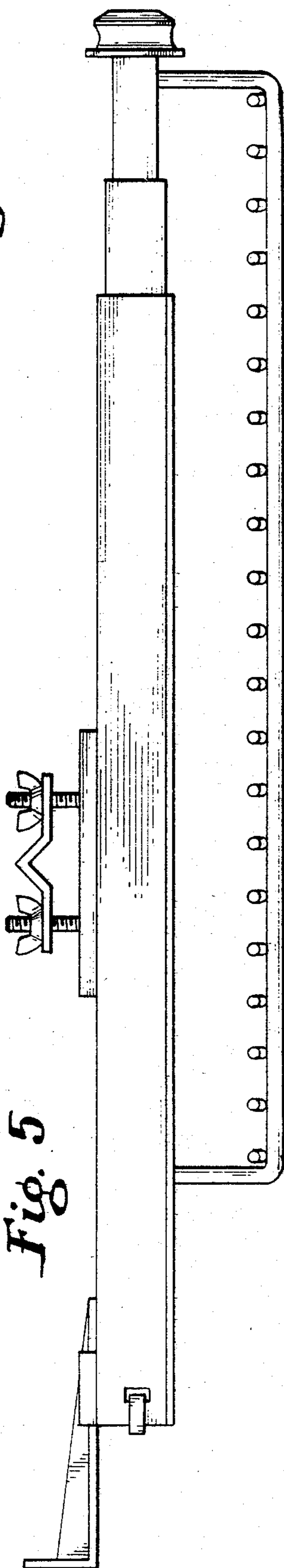


Fig. 5

Fig. 6

