

[54] SUSPENDED HOLDER FOR PLANTS,
CANDLES OR THE LIKE

[76] Inventors: David M. F. Chan, 1213 King Dr., El
Cerrito, Calif. 94530; Michael L. F.
Chan, 1407 Arch St., Berkeley, Calif.
94708

[**] Term: 14 Years

[21] Appl. No.: 532,657

[22] Filed: Sep. 15, 1983

[52] U.S. Cl. D6/403; D11/141;
D11/148; D26/9

[58] Field of Search D6/113, 137; D26/9,
D26/10, 13, 22, 20; 211/13, 113, 115, 117, 118,
119; 248/317, 318; 431/295, 288; D11/141, 148

[56] References Cited

U.S. PATENT DOCUMENTS

D. 222,949 2/1972 Souder D6/113

D. 229,576 12/1973 Blake D11/141
D. 263,183 3/1982 Laurenzi D6/137
D. 265,153 6/1982 Laurenzi D6/113
688,110 12/1901 Nehr 431/295
4,025,012 5/1977 Chan et al. 248/318

Primary Examiner—B. J. Bullock
Attorney, Agent, or Firm—Robert R. Tipton

[57] CLAIM

The ornamental design for a suspended holder for
plants, candles or the like, as shown.

DESCRIPTION

FIG. 1 is a front elevational view of a suspended holder
for plants, candles or the like showing our new design;
FIG. 2 is a side elevational view taken from the right of
FIG. 1;
FIG. 3 is a rear elevational view thereof;
FIG. 4 is a side elevational view taken from the left of
FIG. 1;
FIG. 5 is a bottom plan view thereof;
FIG. 6 is a top plan view thereof.

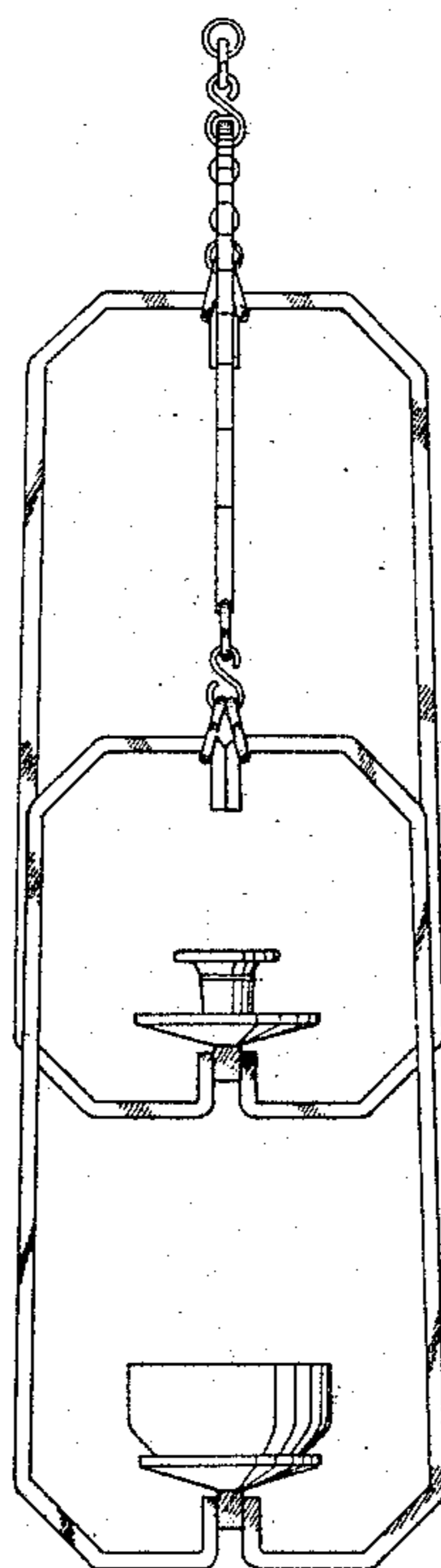


FIG. 1

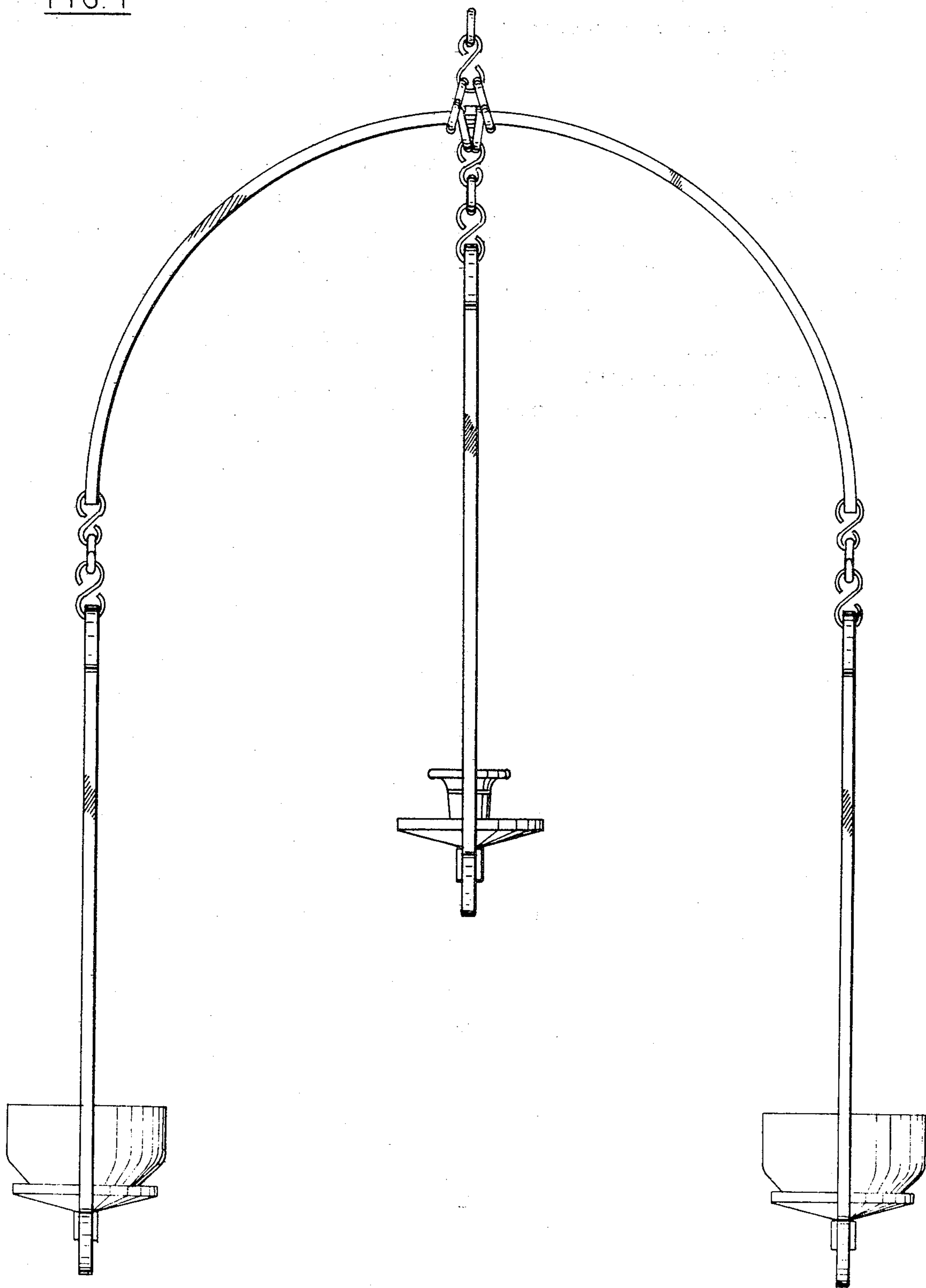


FIG. 2

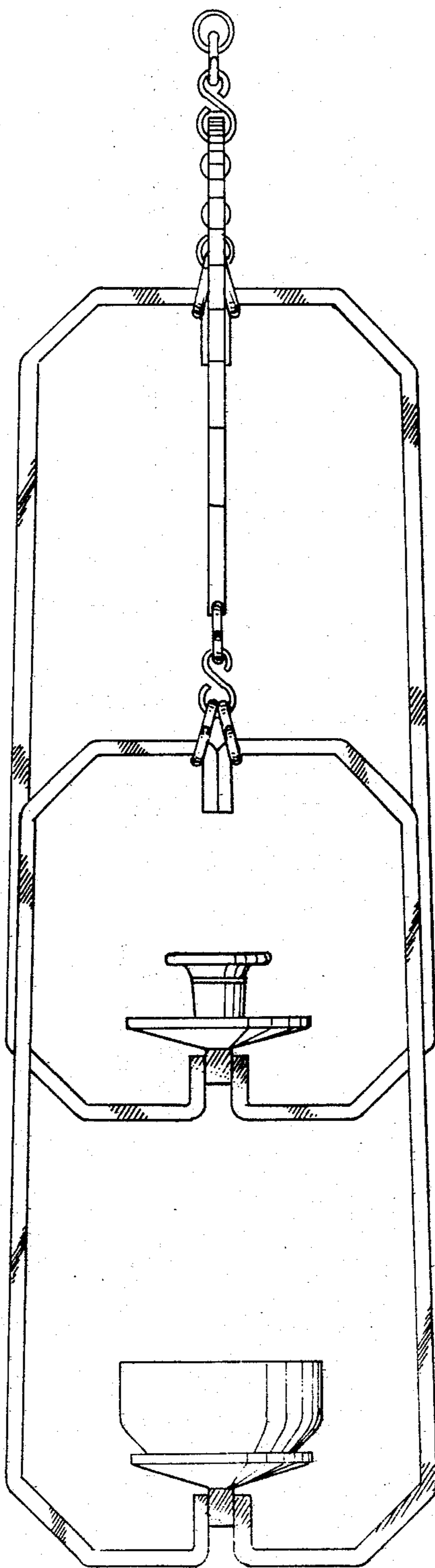


FIG. 3

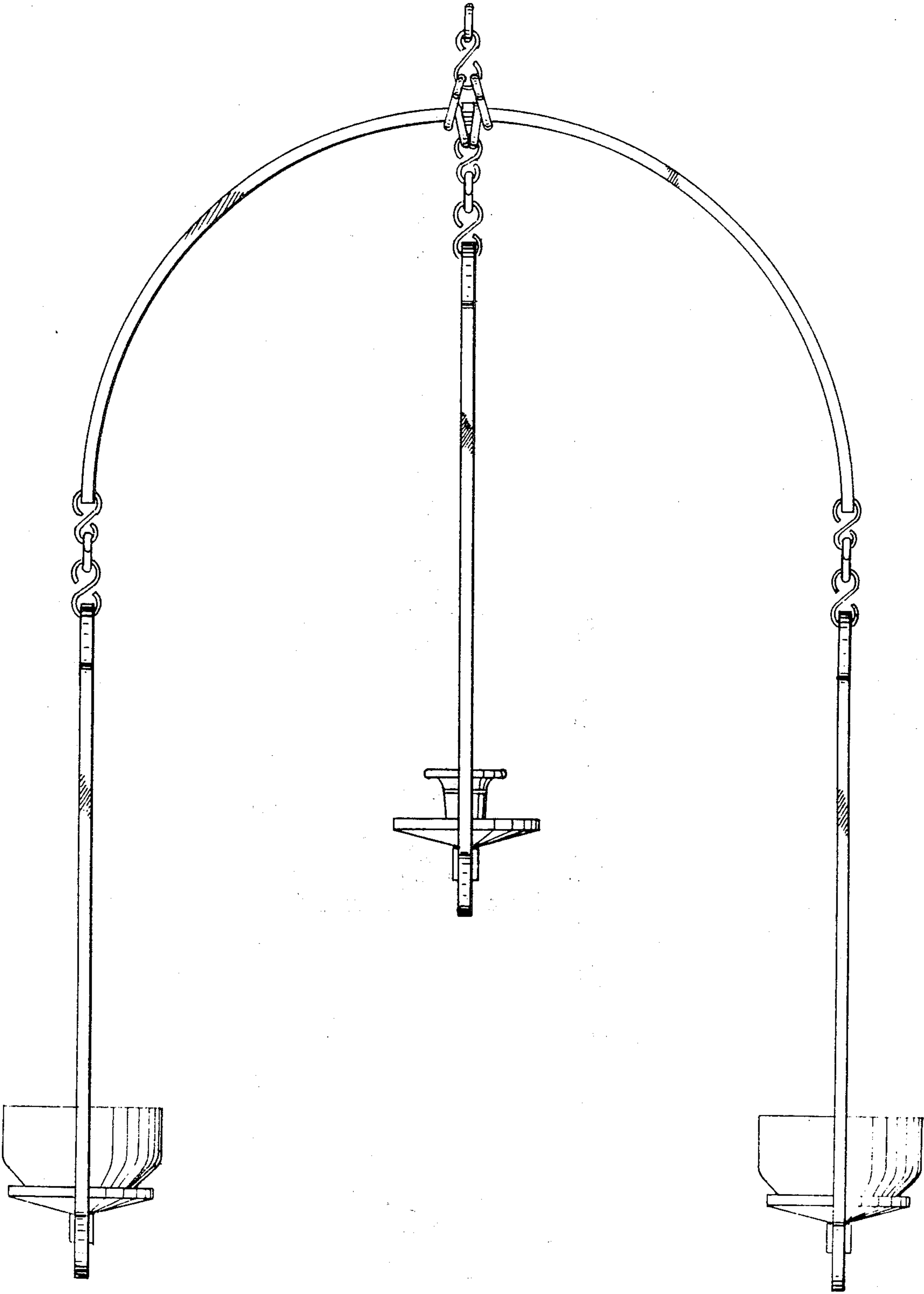


FIG. 4

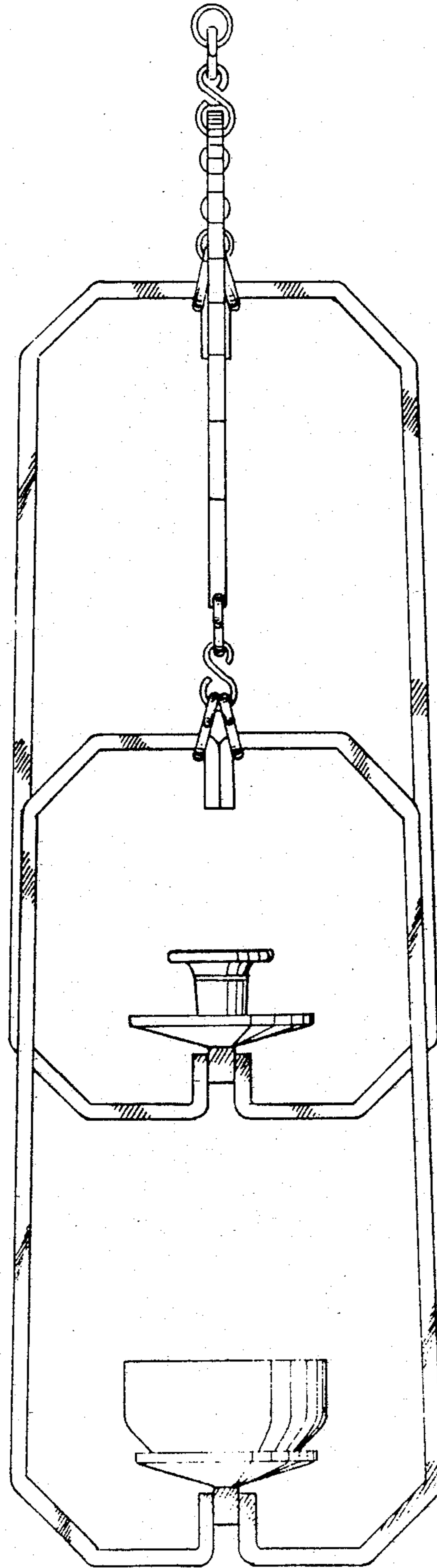


FIG. 5

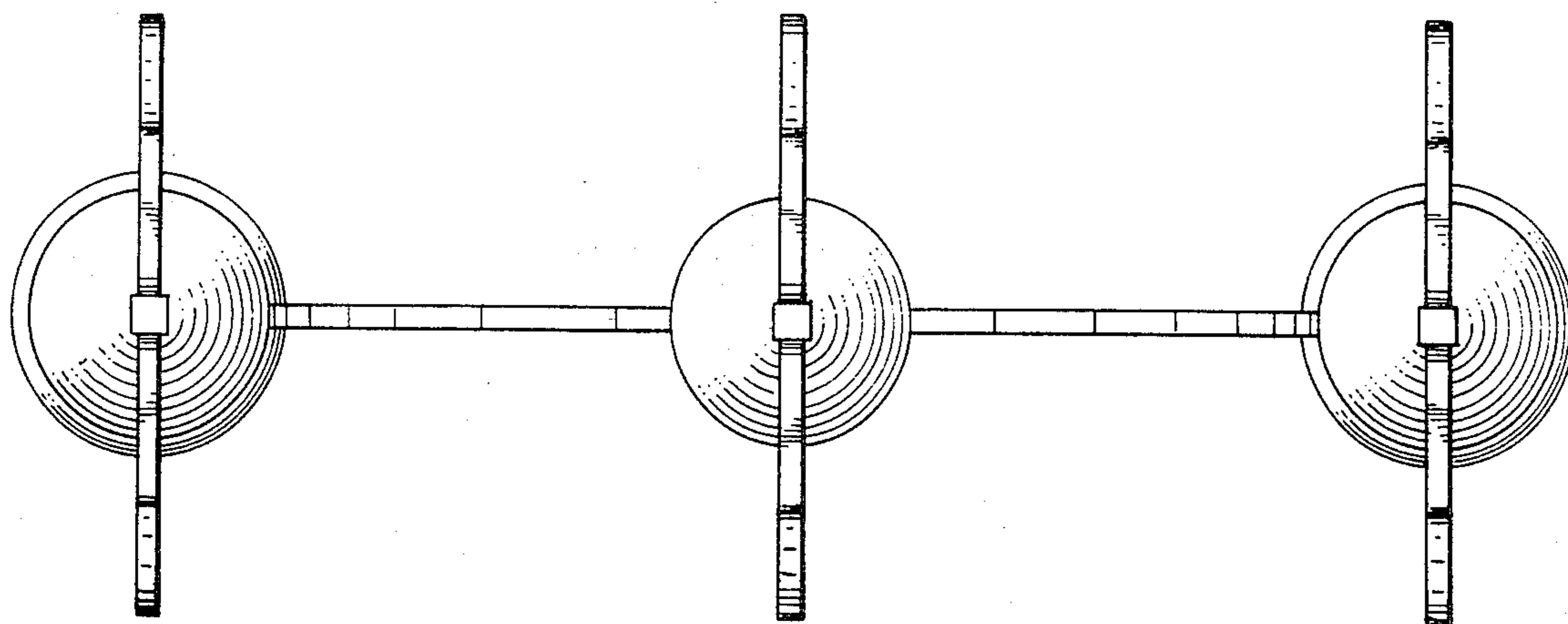


FIG. 6

