

[54] COMBINED CROCHET HOOK AND CAP

[75] Inventor: Hidekazu Okada, Ashiya, Japan

[73] Assignee: Clover Mfg. Co., Ltd., Osaka, Japan

[**] Term: 14 Years

[21] Appl. No.: 329,077

[22] Filed: Dec. 9, 1981

[30] Foreign Application Priority Data

Aug. 24, 1981 [JP]	Japan	56-37390
[52] U.S. Cl.	D3/28; D3/18	
[58] Field of Search	D3/18, 28; 66/116, 117,	
		66/118; 223/102, 104	

[56] References Cited

U.S. PATENT DOCUMENTS

39,572	8/1863	Hoadley	66/118
D. 229,877	1/1974	Ament	D3/18
3,844,185	10/1974	Watson	223/102 X

FOREIGN PATENT DOCUMENTS

21774	of 1900	United Kingdom	66/118
5507	of 1911	United Kingdom	66/118

Primary Examiner—Bernard Ansher

Assistant Examiner—Carmen H. Vales
Attorney, Agent, or Firm—Birch, Stewart, Kolasch & Birch

[57] CLAIM

The ornamental design for a combined crochet hook and cap, as shown and described.

DESCRIPTION

FIG. 1 is an exploded front elevational view of a combined crochet hook and cap showing my new design; FIG. 2 is a left side elevational view thereof; FIG. 3 is a right side elevational view thereof; FIG. 4 is a rear elevational view thereof; FIG. 5 is an enlarged top plan view of the crochet hook, the cap removed for convenience of illustration; FIG. 6 is an enlarged bottom plan view thereof; FIG. 7 is an enlarged top plan view of the cap, the crochet hook removed for convenience of illustration; FIG. 8 is an enlarged bottom plan view thereof; FIG. 9 is a front elevational view of the combined crochet hook and cap in closed position; FIG. 10 is a left side elevational view thereof; FIG. 11 is a right side elevational view thereof; FIG. 12 is a rear elevational view thereof; FIG. 13 is an enlarged top plan view thereof; FIG. 14 is an enlarged bottom plan view thereof; and FIG. 15 is a reduced scale perspective view thereof.



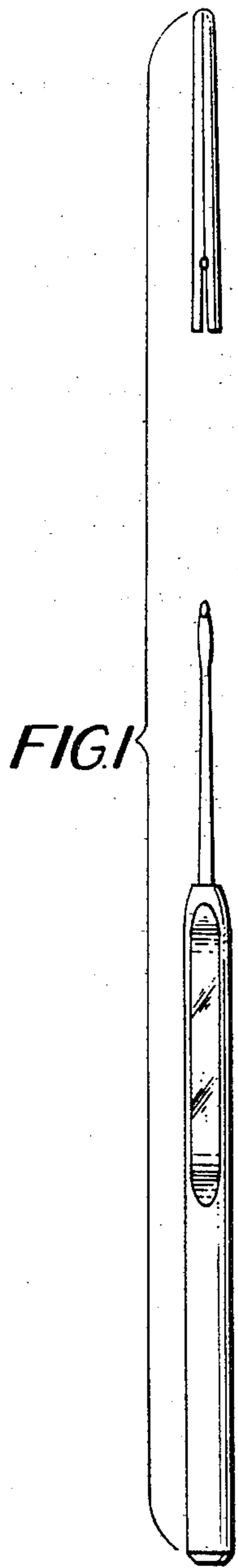


FIG. 1

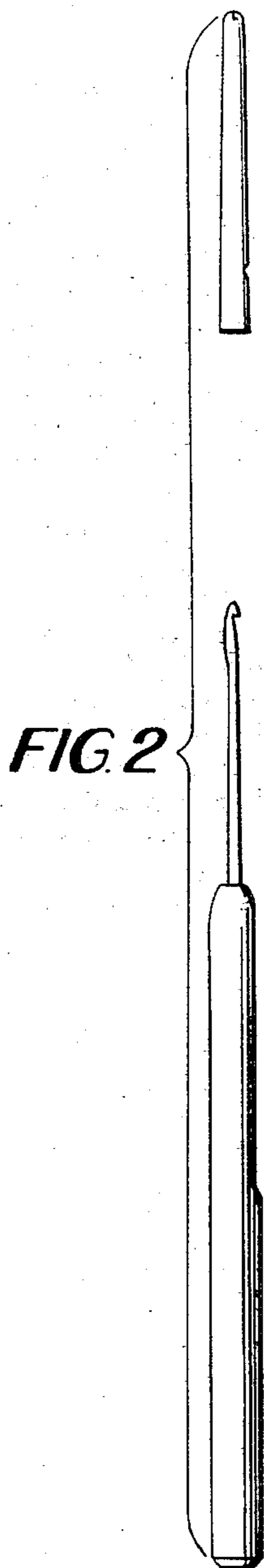


FIG. 2

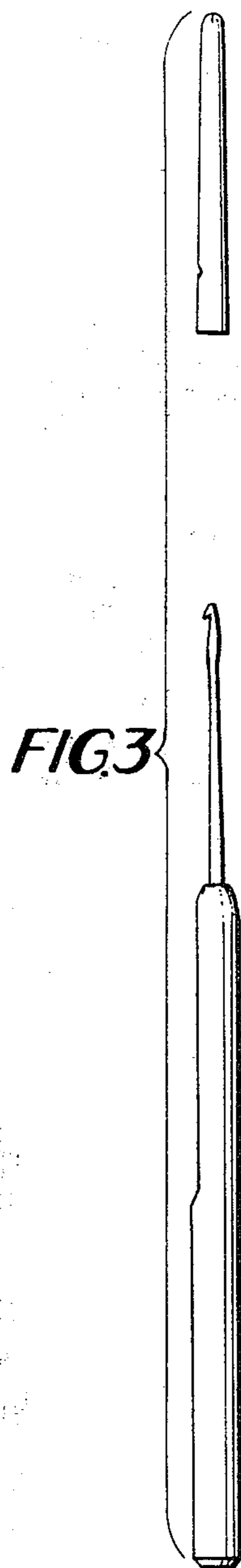


FIG. 3

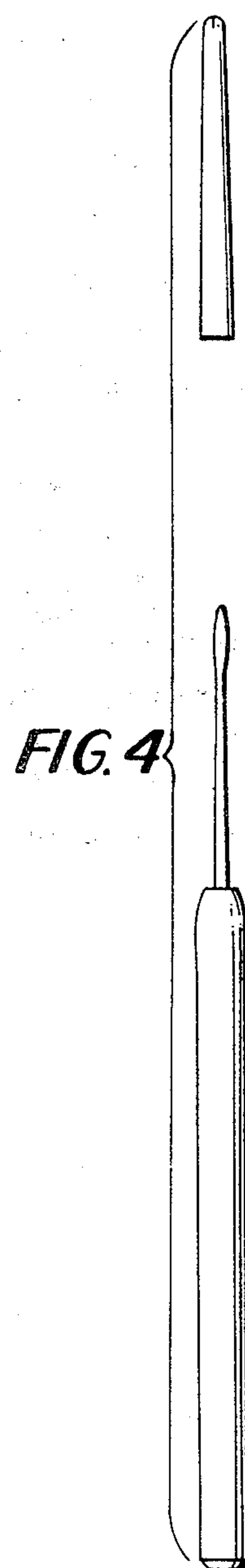


FIG. 4



FIG. 5

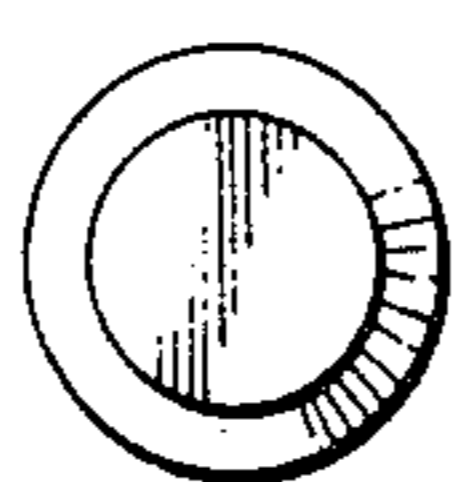


FIG. 6



FIG. 7



FIG. 8



FIG. 9



FIG. 10



FIG. 11



FIG. 12



FIG. 15

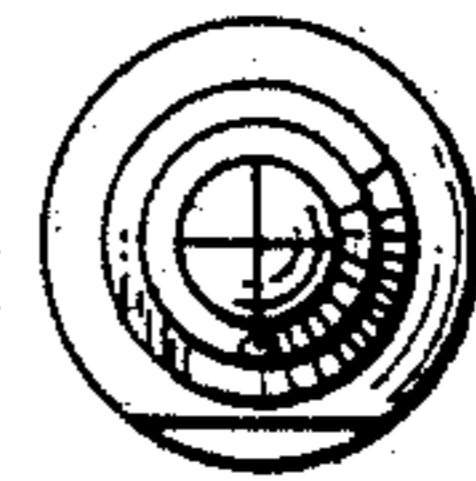


FIG. 13

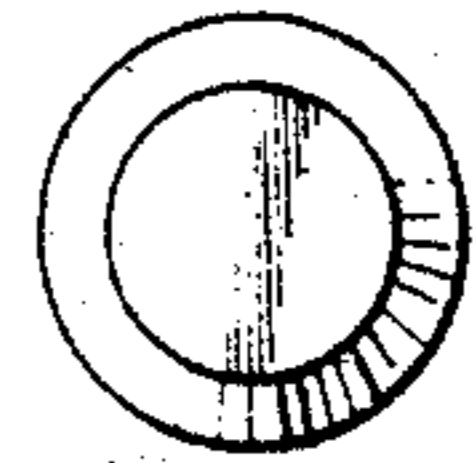


FIG. 14