

United States Patent [19]

Hemrich, Jr. et al.

[11] Patent Number: **Des. 277,418**

[45] Date of Patent: **** Jan. 29, 1985**

[54] **HAIR CURLER SET**

[75] Inventors: **William R. Hemrich, Jr., Glen Ellyn;**
Bernard B. Bluestein, Des Plaines,
both of Ill.

[73] Assignee: **Sunbeam Corporation, Oak Brook,**
Ill.

[**] Term: **14 Years**

[21] Appl. No.: **397,386**

[22] Filed: **Jul. 12, 1982**

[52] U.S. Cl. **D28/38; D28/83**

[58] Field of Search **D28/38, 61, 65, 67,**
D28/68, 73, 76-84; D3/39; D9/420, 424;
362/135-137; 219/222; 220/DIG. 26, 337, 338;
206/235, 385, 542, 581, 823; 132/79 R, 79 A, 79
C, 79 D, 79 F, 79 G, 82 R, 82 A, 82 C, 82 D,
82 F, 83 R, 83 C-83 F, DIG. 2

[56] **References Cited**

U.S. PATENT DOCUMENTS

D. 130,591	12/1941	Oesterreicher	D28/67
D. 206,477	12/1966	Ax	D3/39
D. 229,665	5/1971	Benty et al.	D28/38
D. 260,305	8/1981	MacGregor et al.	D28/67
D. 267,821	2/1983	Guth et al.	D28/38
D. 270,671	9/1983	Yamamoto	D28/38

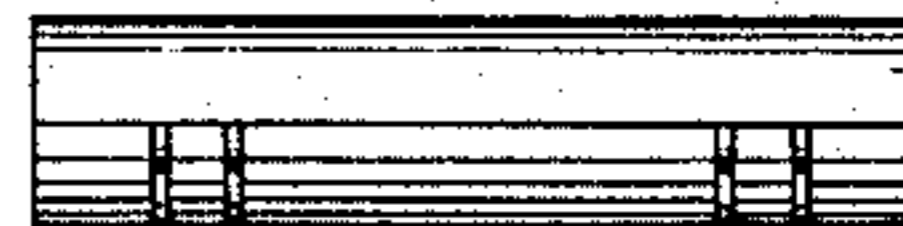
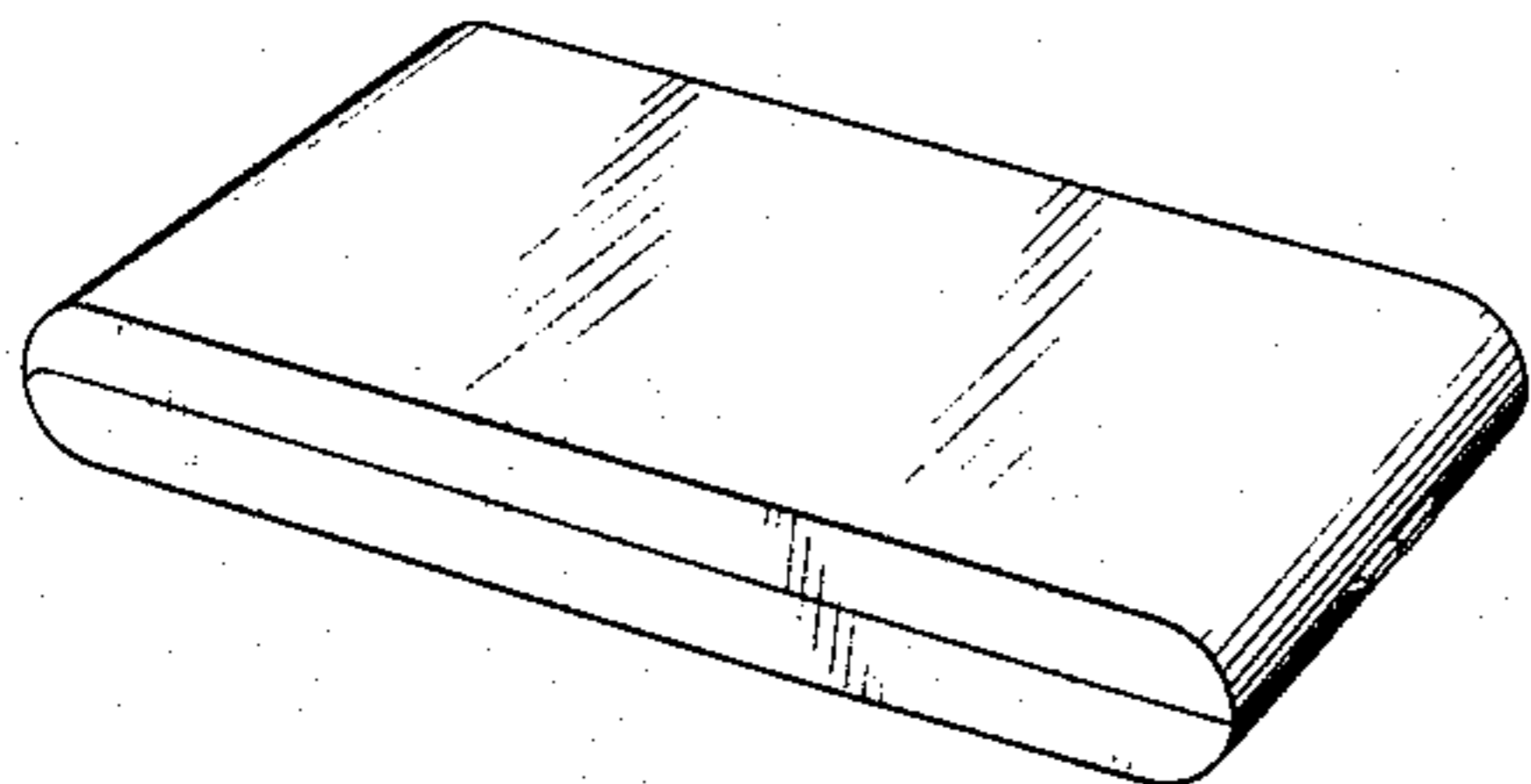
Primary Examiner—Louis S. Zarfaz
Attorney, Agent, or Firm—Clifford A. Dean; Neil M. Rose; Robert J. Fox

[57] **CLAIM**

The ornamental design for a hair curler set, as shown and described.

DESCRIPTION

FIG. 1 is a top left perspective view of a hair curler set showing our new design in closed condition;
FIG. 2 is a top plan view thereof;
FIG. 3 is a right side elevational view thereof;
FIG. 4 is a front elevational view thereof;
FIG. 5 is a rear elevational view thereof; and
FIG. 6 is a bottom plan view thereof.



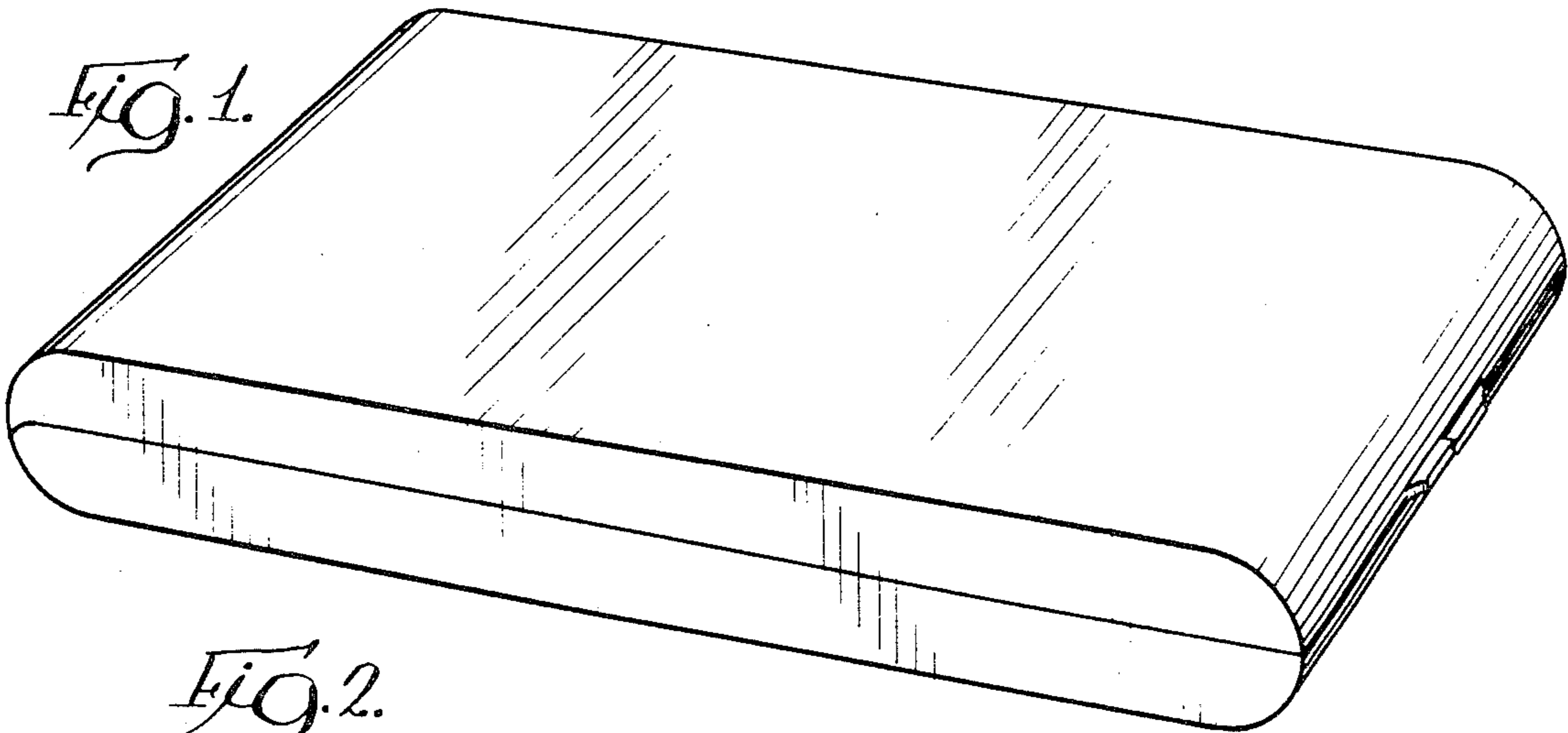


FIG. 2.

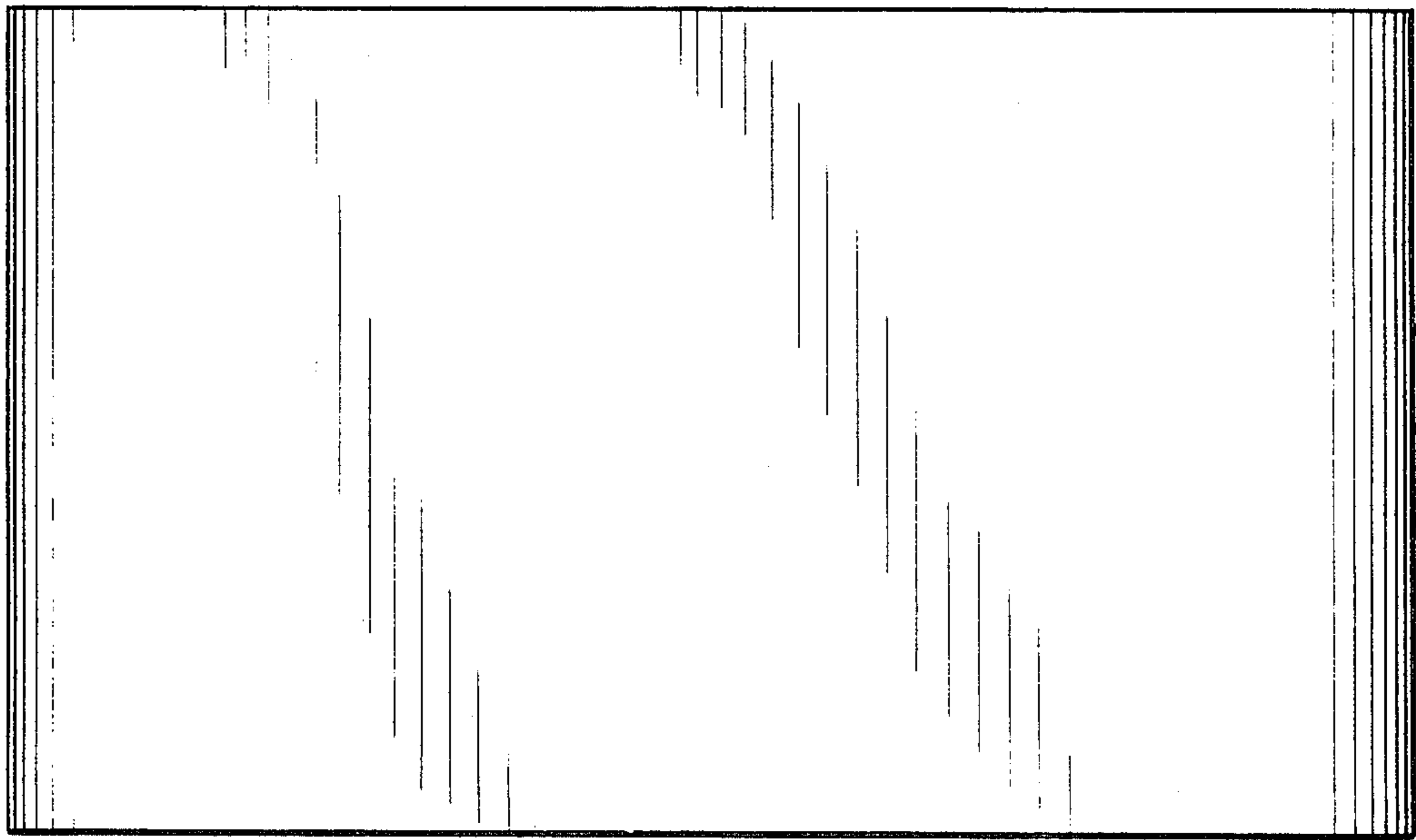


FIG. 3.

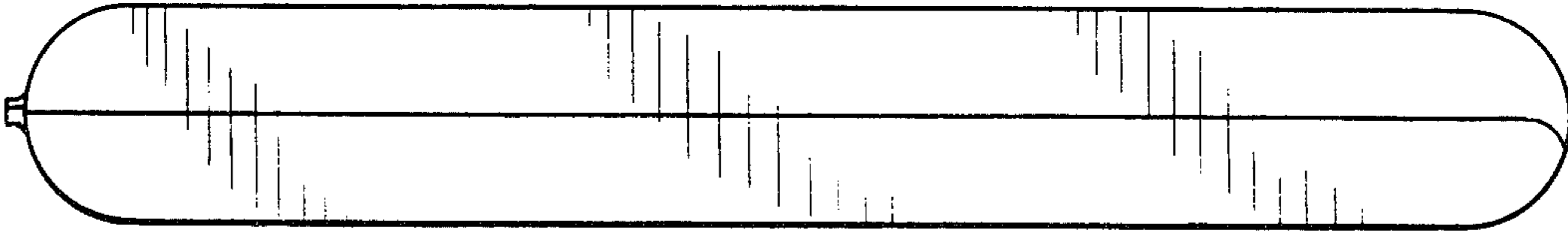


FIG. 4.

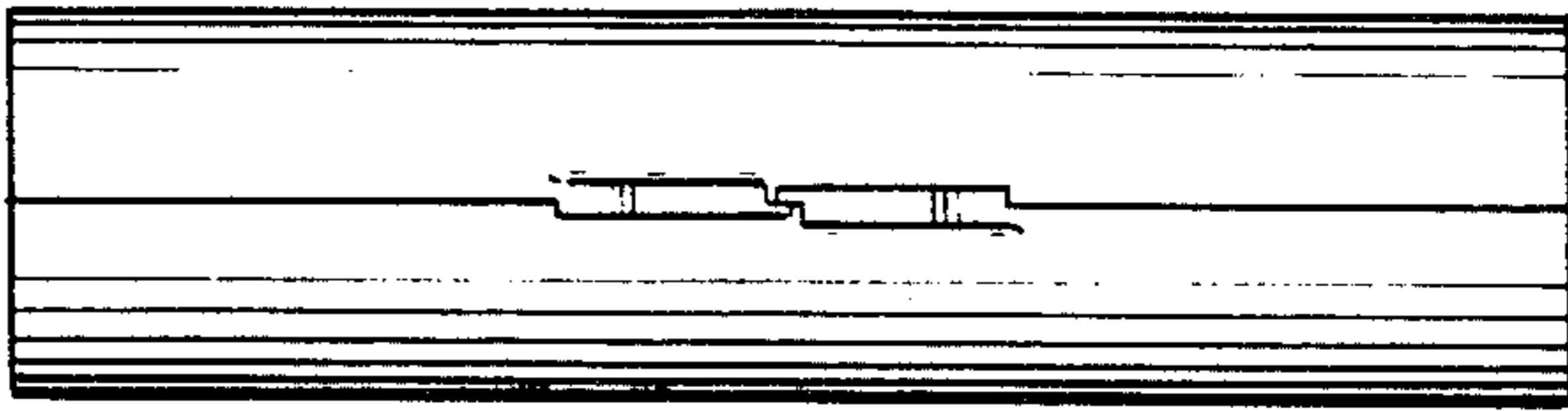
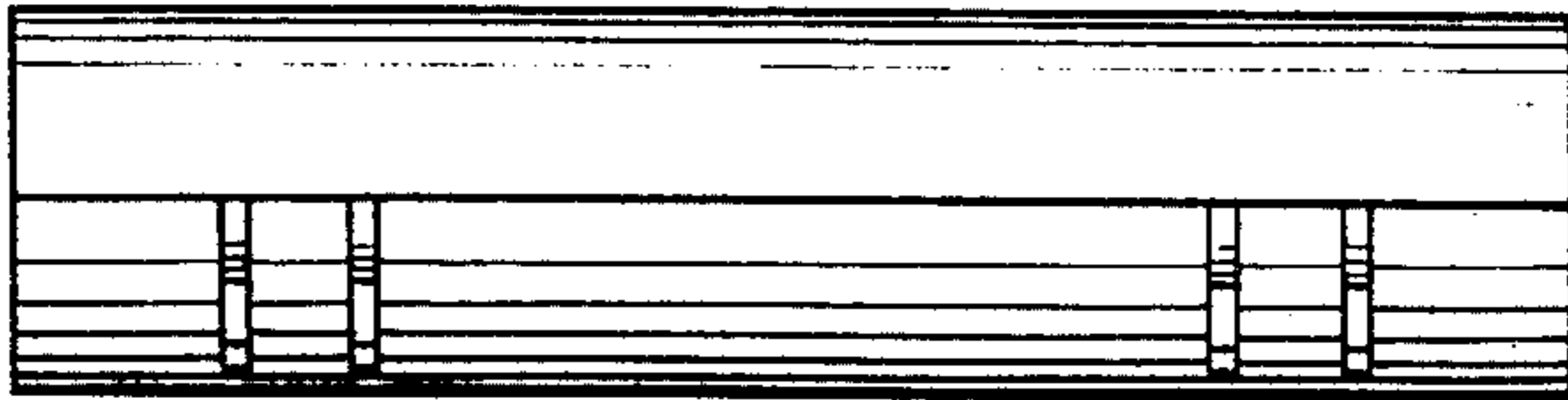


FIG. 5.



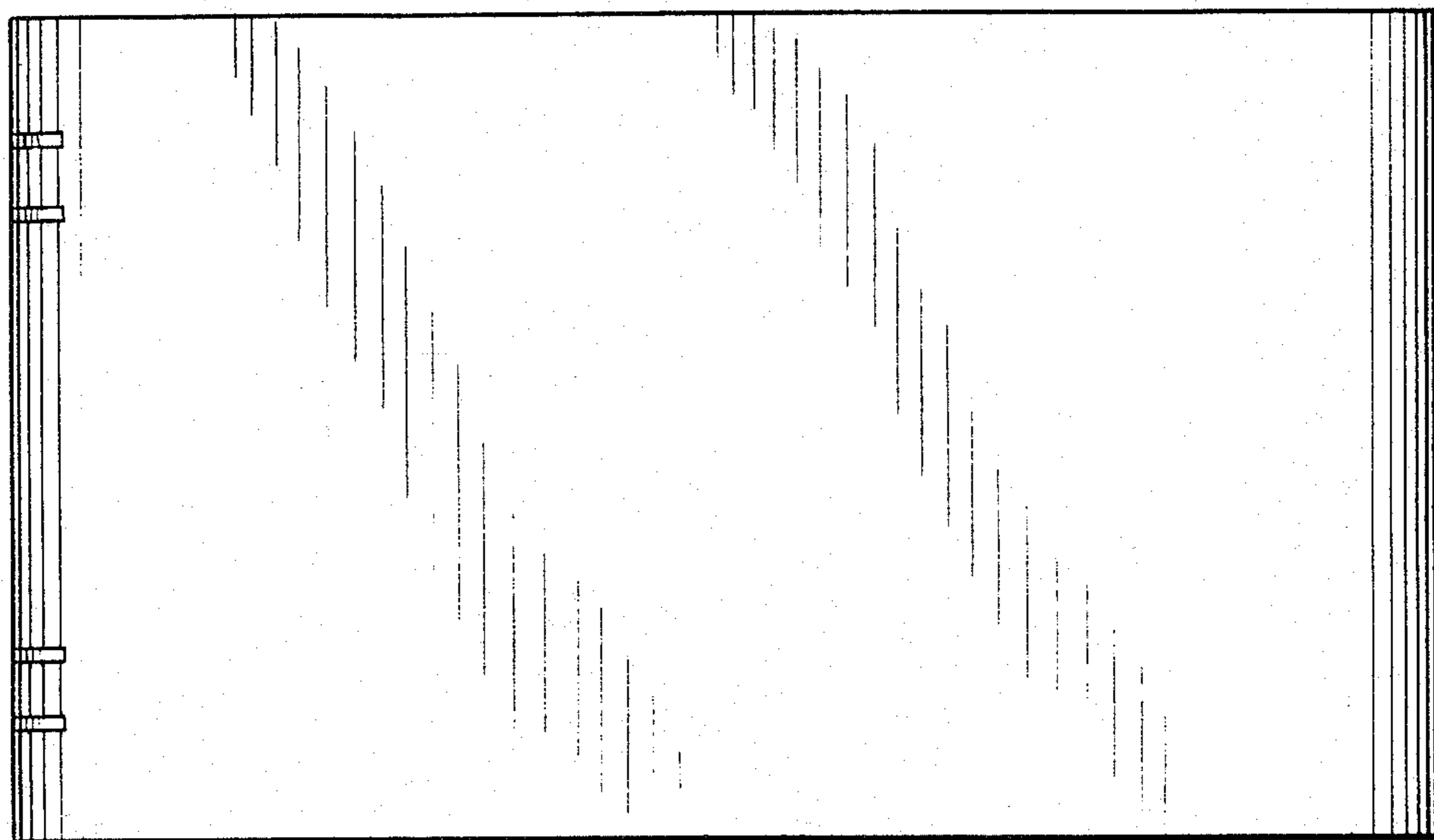


Fig. 6.