

United States Patent [19]

Brown

[11] Patent Number: **Des. 277,416**

[45] Date of Patent: **** Jan. 29, 1985**

[54] LUMINAIRE HOUSING

[76] Inventor: **Joseph E. Brown**, 116 E. Piping Rock Rd., Phoenix, Ariz. 85022

[**] Term: **14 Years**

[21] Appl. No.: **346,510**

[22] Filed: **Feb. 8, 1982**

[52] U.S. Cl. **D26/63; D26/24**

[58] Field of Search 362/285, 297, 300, 301, 362/307, 308, 310, 311, 362, 227, 235, 269, 418, 426; D26/24, 60-65

[56]

References Cited

U.S. PATENT DOCUMENTS

D. 207,967 6/1967 Harrison et al. D26/63
D. 213,582 3/1969 Husby D26/63
D. 225,768 1/1973 Hernandez et al. D26/63

Primary Examiner—Susan J. Lucas
Attorney, Agent, or Firm—Drummond & Nissle

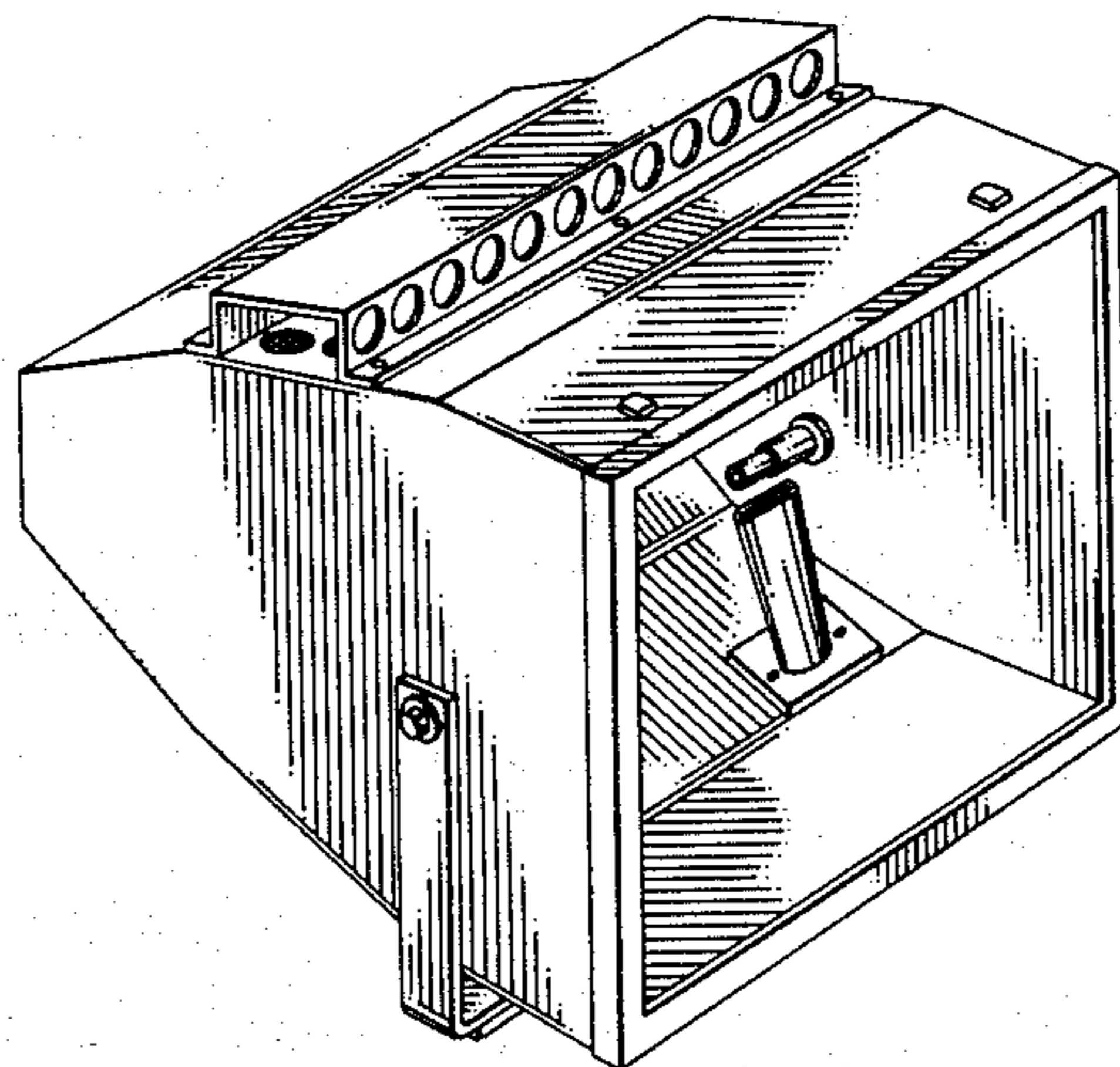
[57]

CLAIM

The ornamental design for a luminaire housing, as shown and described.

DESCRIPTION

FIG. 1 is a perspective view of a luminaire housing showing my new design;
FIG. 2 is a front elevational view thereof;
FIG. 3 is a bottom plan view thereof;
FIG. 4 is a rear elevational view thereof on a reduced scale.



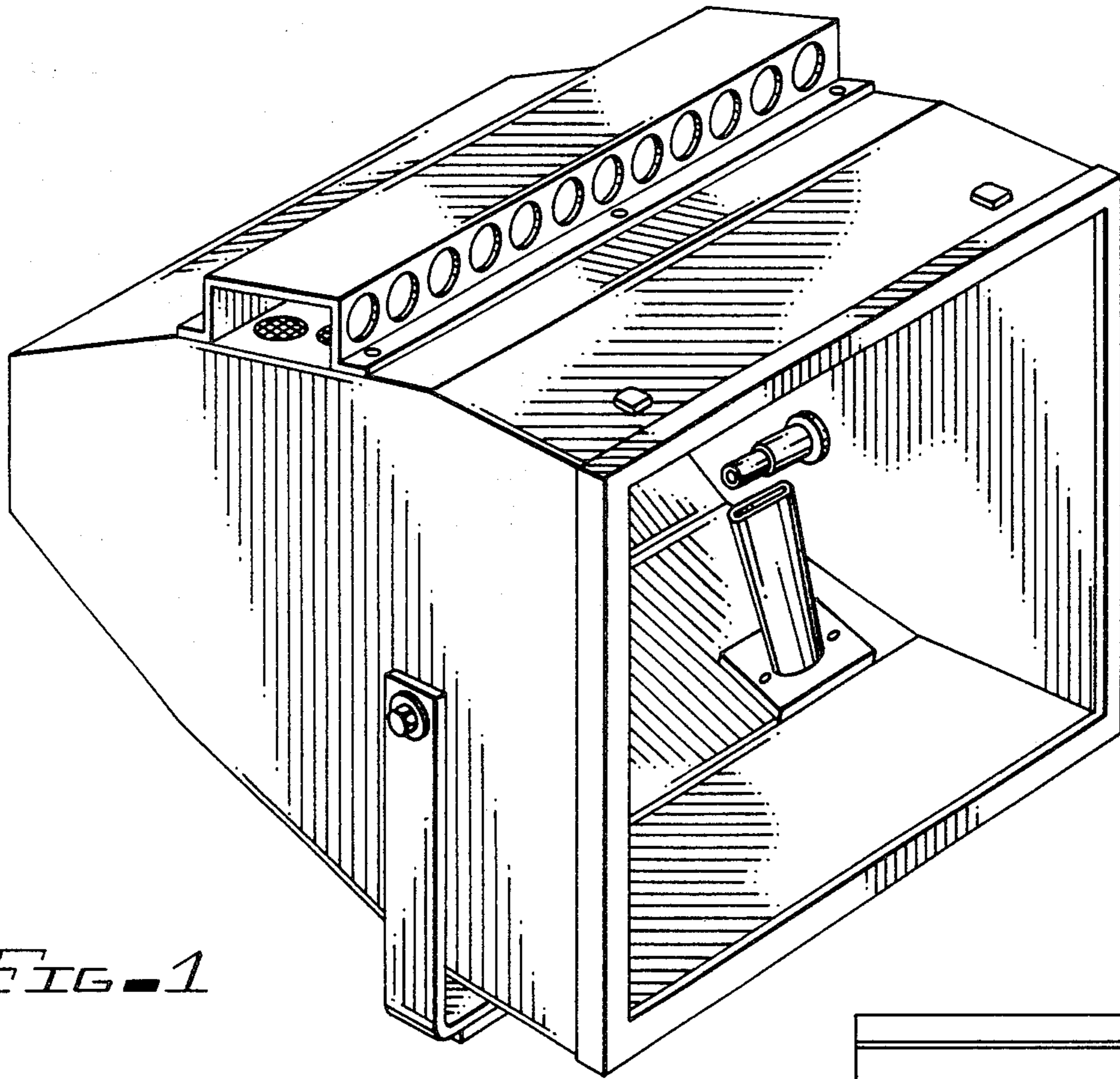


FIG. 1

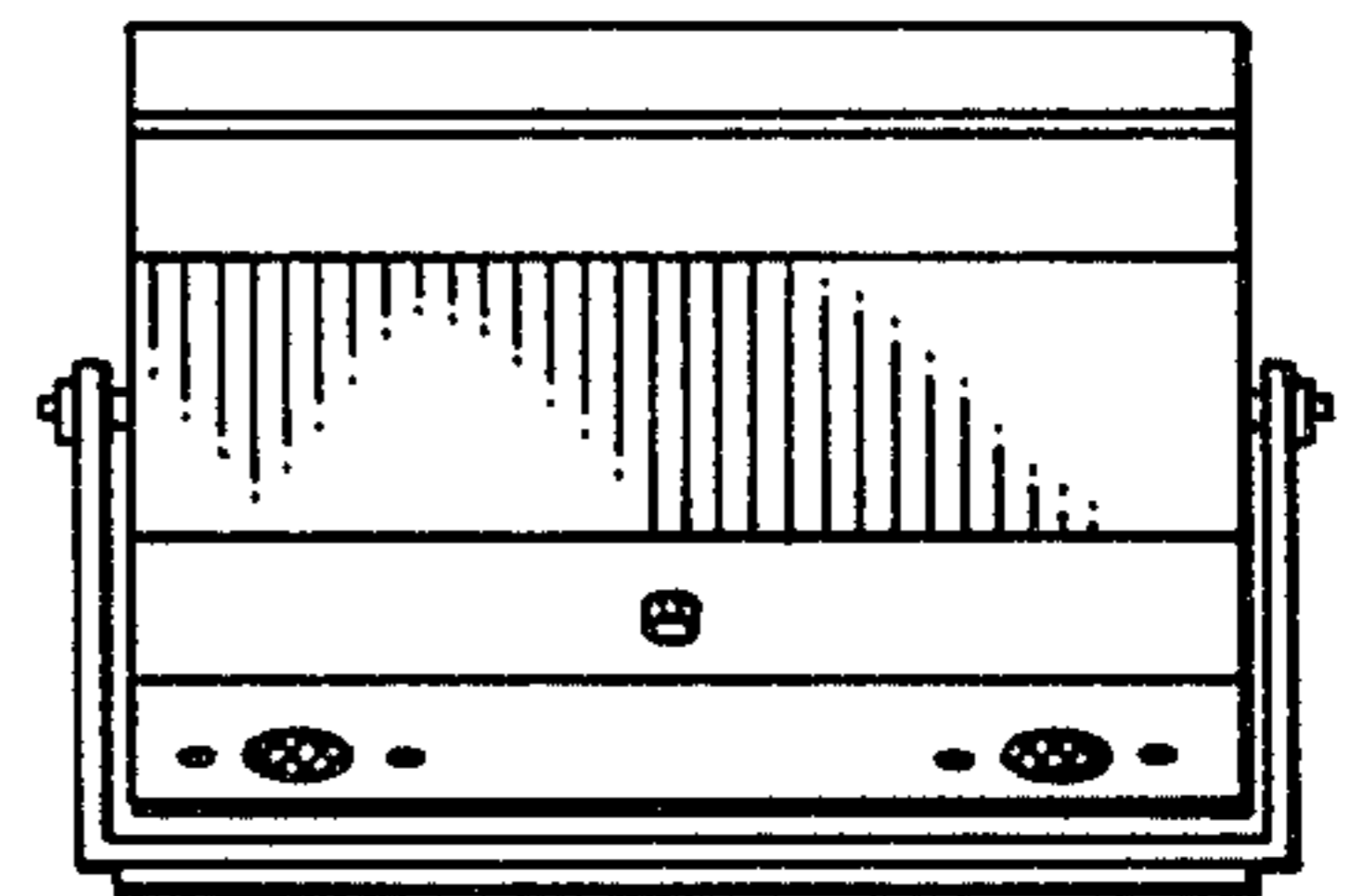


FIG. 4

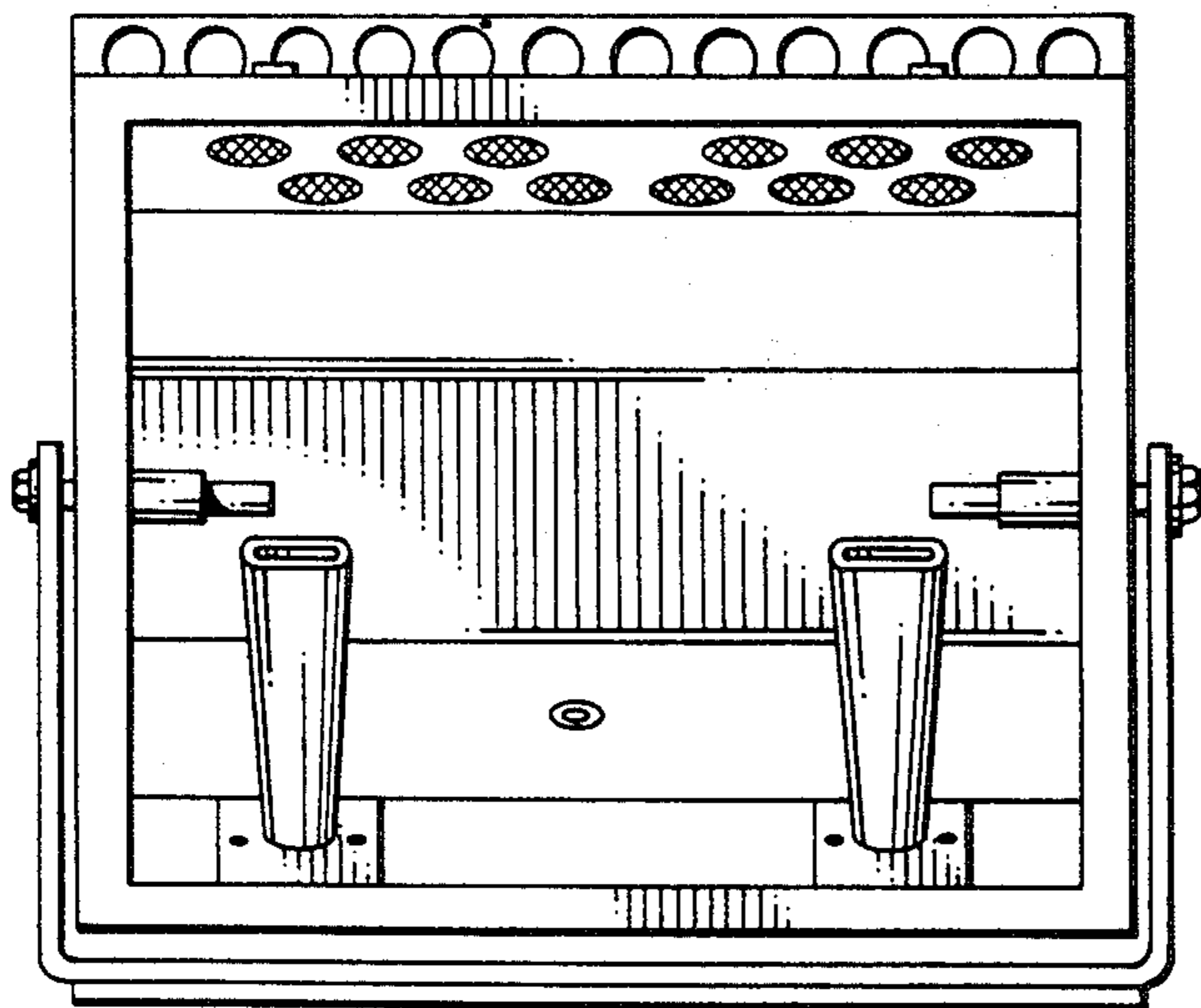


FIG. 2

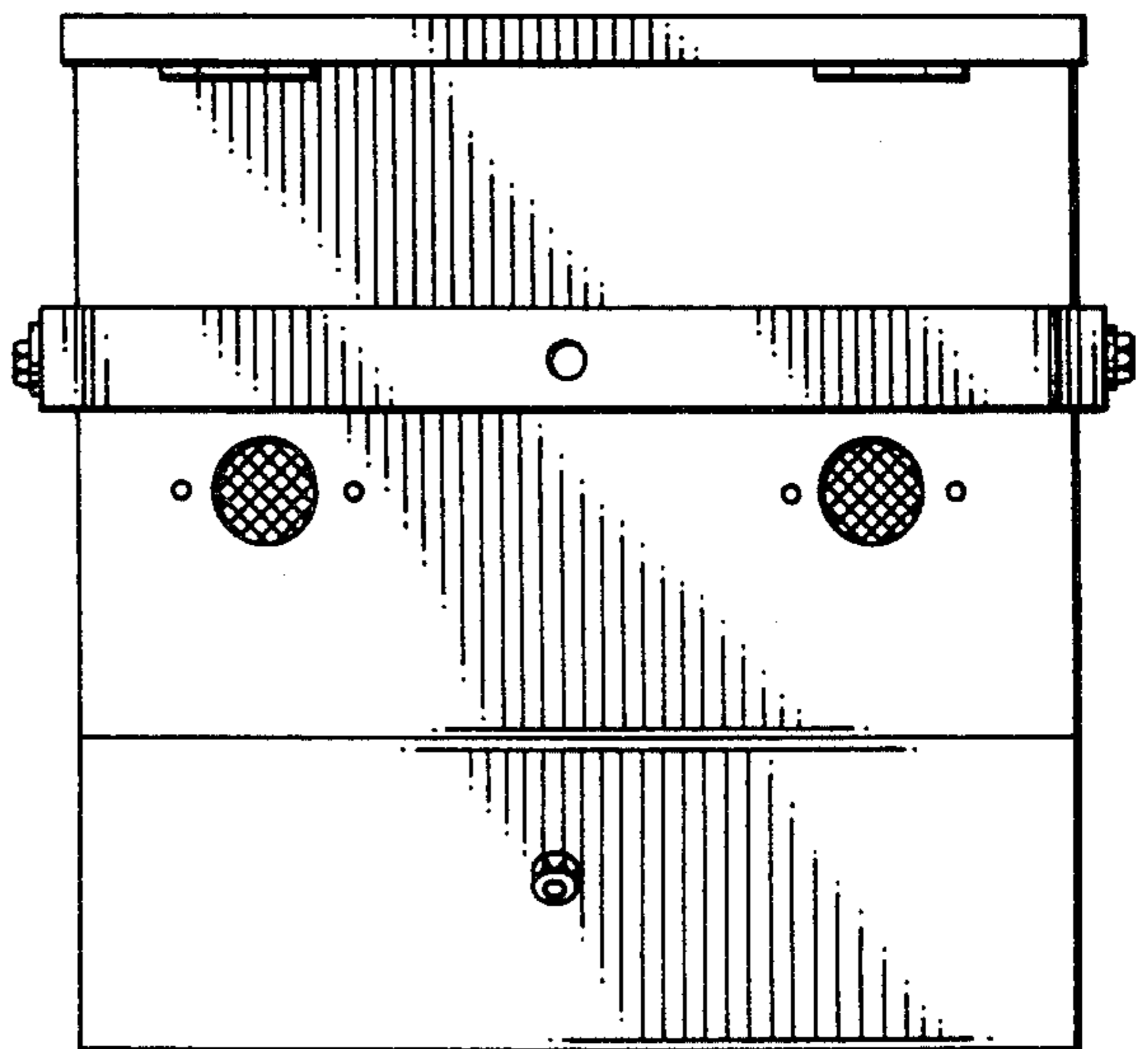


FIG. 3