

[54] LIGHTING UNIT FOR FIBER OPTIC SYSTEMS

[76] Inventor: Jan-Åke Hallén, Brinketorpsvägen 3, S-433 41 Partille, Sweden

[**] Term: 14 Years

[21] Appl. No.: 368,457

[22] Filed: Apr. 14, 1982

[30] Foreign Application Priority Data

Oct. 16, 1981 [SE] Sweden 81-2348

[52] U.S. Cl. D26/27

[58] Field of Search 362/32; D26/27

[56] References Cited

U.S. PATENT DOCUMENTS

D. 202,552 10/1965 Rose D26/27

D. 243,115 1/1977 Ziegler et al. D26/27

3,775,606 11/1973 Bazell et al. 362/32

Primary Examiner—Susan J. Lucas

[57] CLAIM

The ornamental design for my lighting unit for fiber optic systems, as shown and described hereinbefore.

DESCRIPTION

FIG. 1 is a top, front perspective view of a lighting unit for fiber optic systems showing my new design;

FIG. 2 is a bottom, rear perspective view thereof;

FIG. 3 is an elevational view of the end shown in FIG. 2;

FIG. 4 is an elevational view of the end shown in FIG. 1;

FIG. 5 is a top plan view thereof;

FIG. 6 is a front elevational view thereof;

FIG. 7 is a bottom plan view thereof;

FIG. 8 is a rear elevational view thereof.

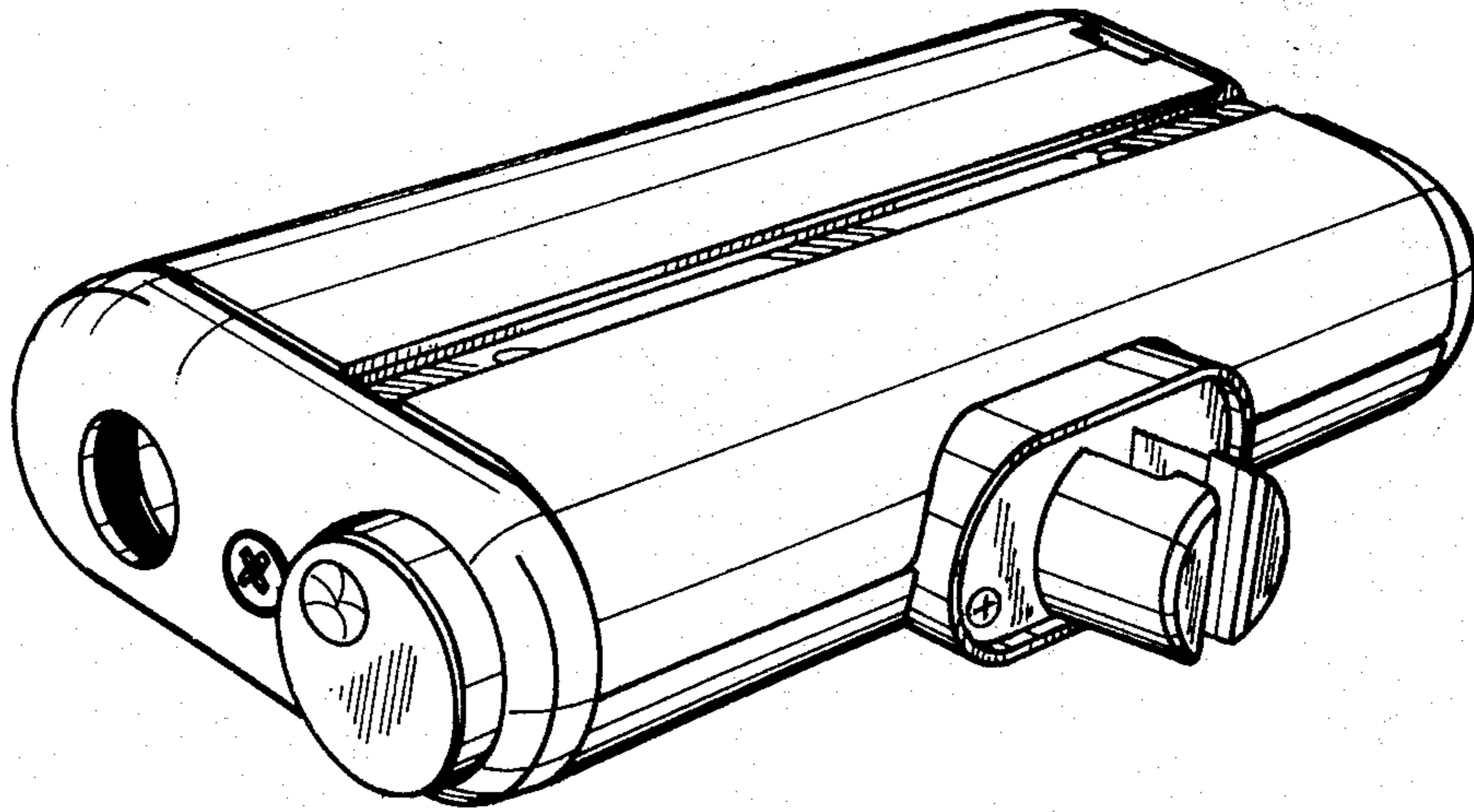


FIG. 1

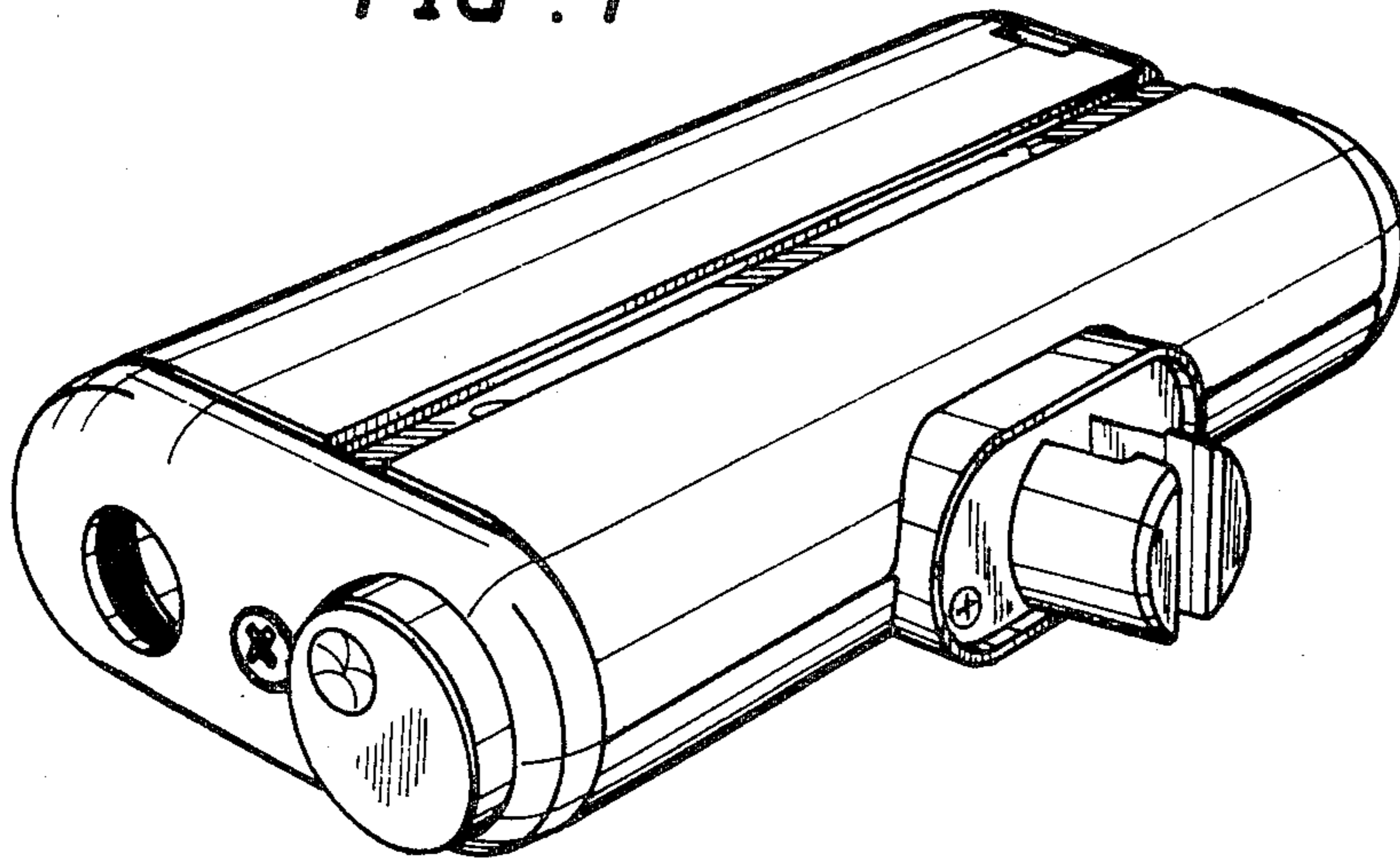


FIG. 2

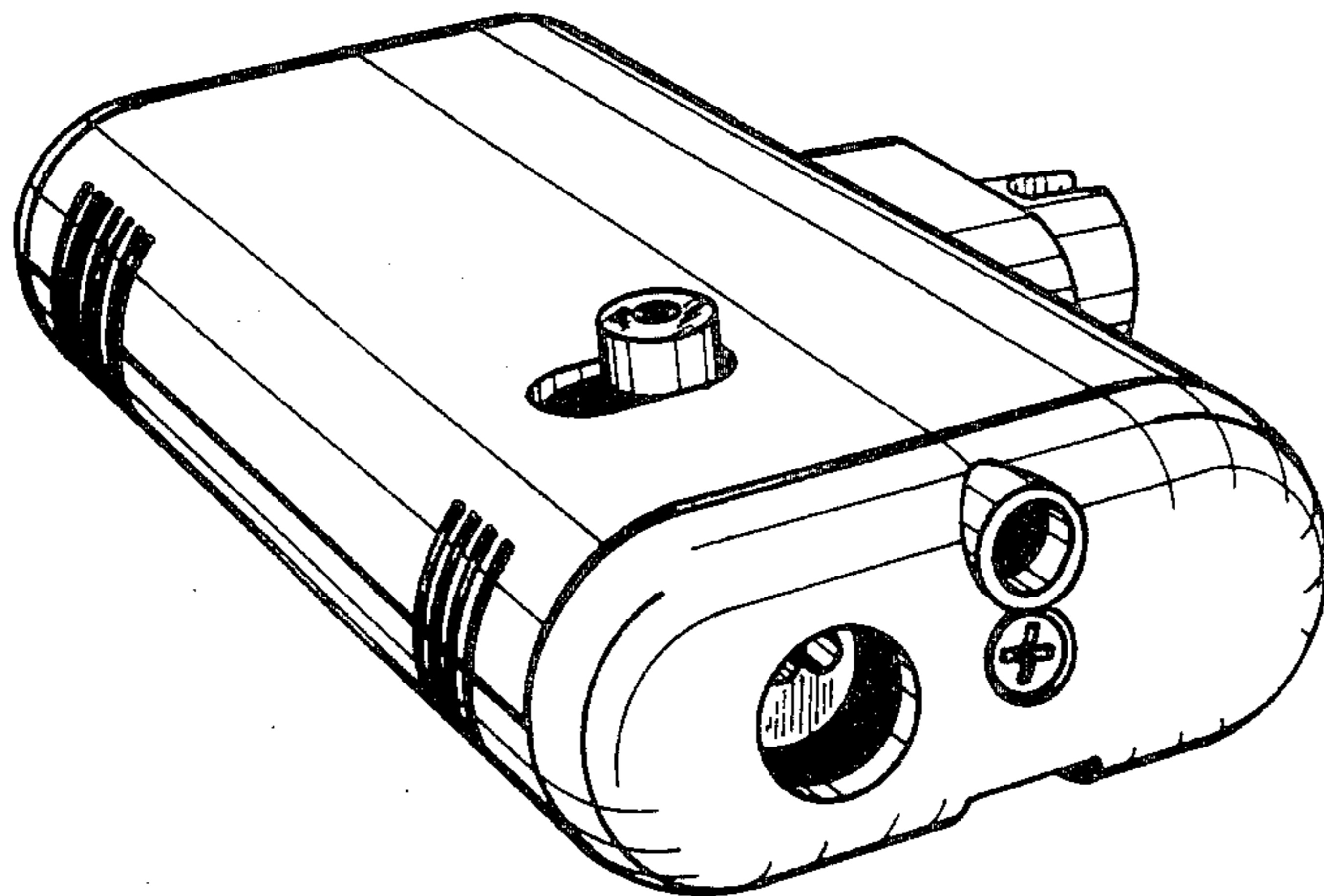


FIG. 3

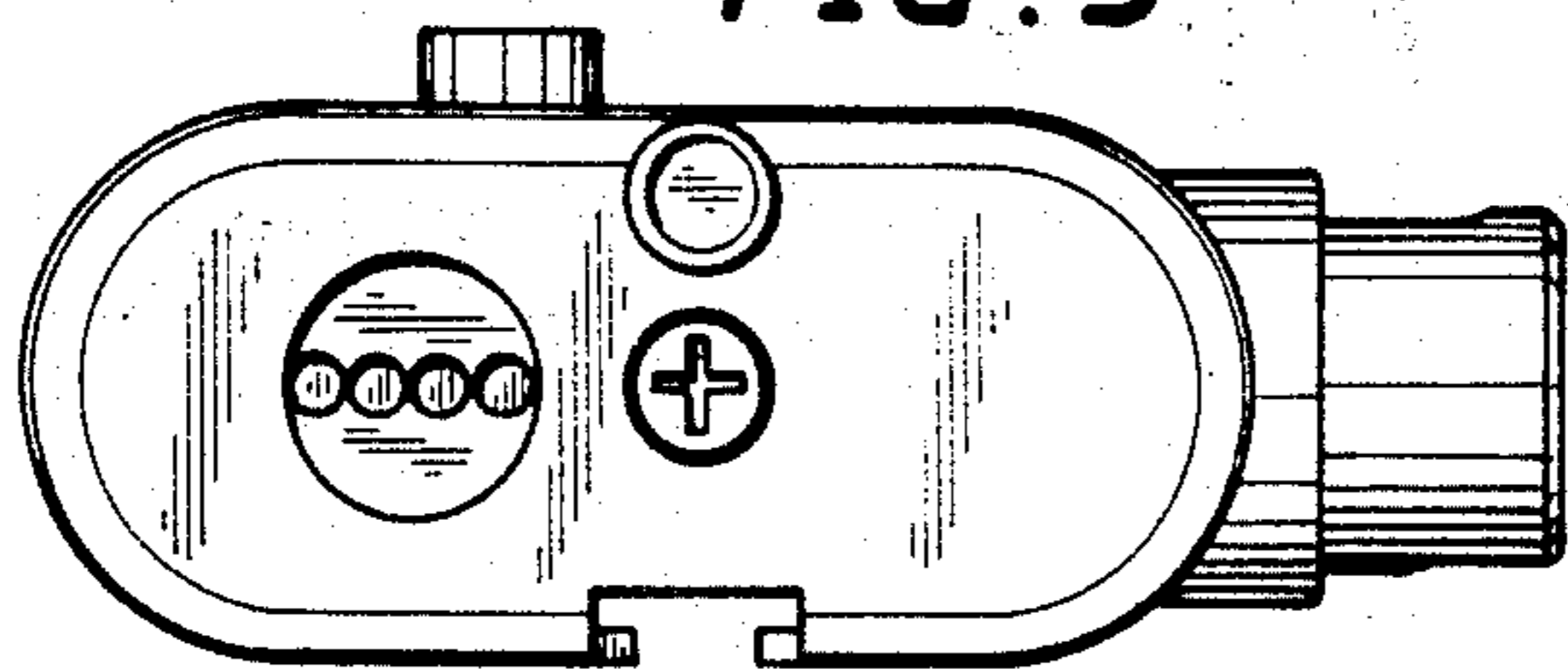


FIG. 4

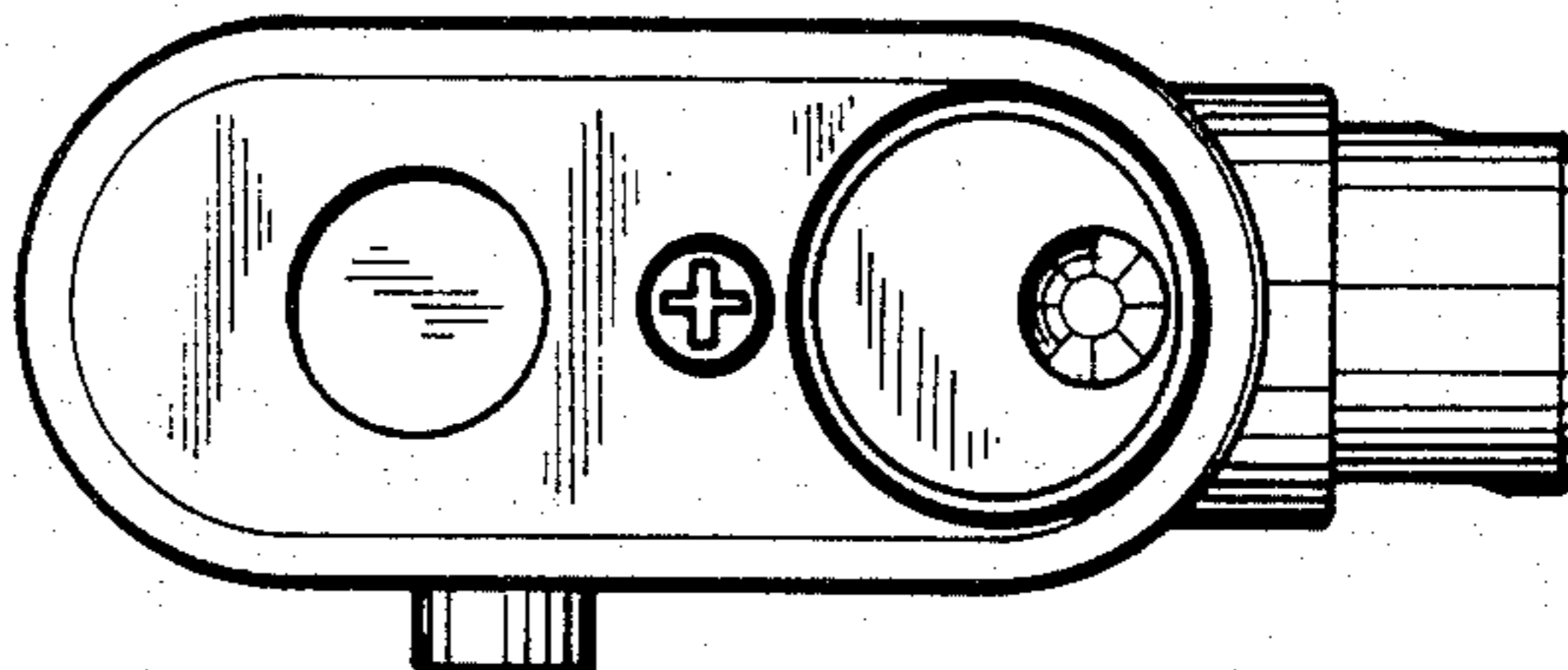


FIG. 5

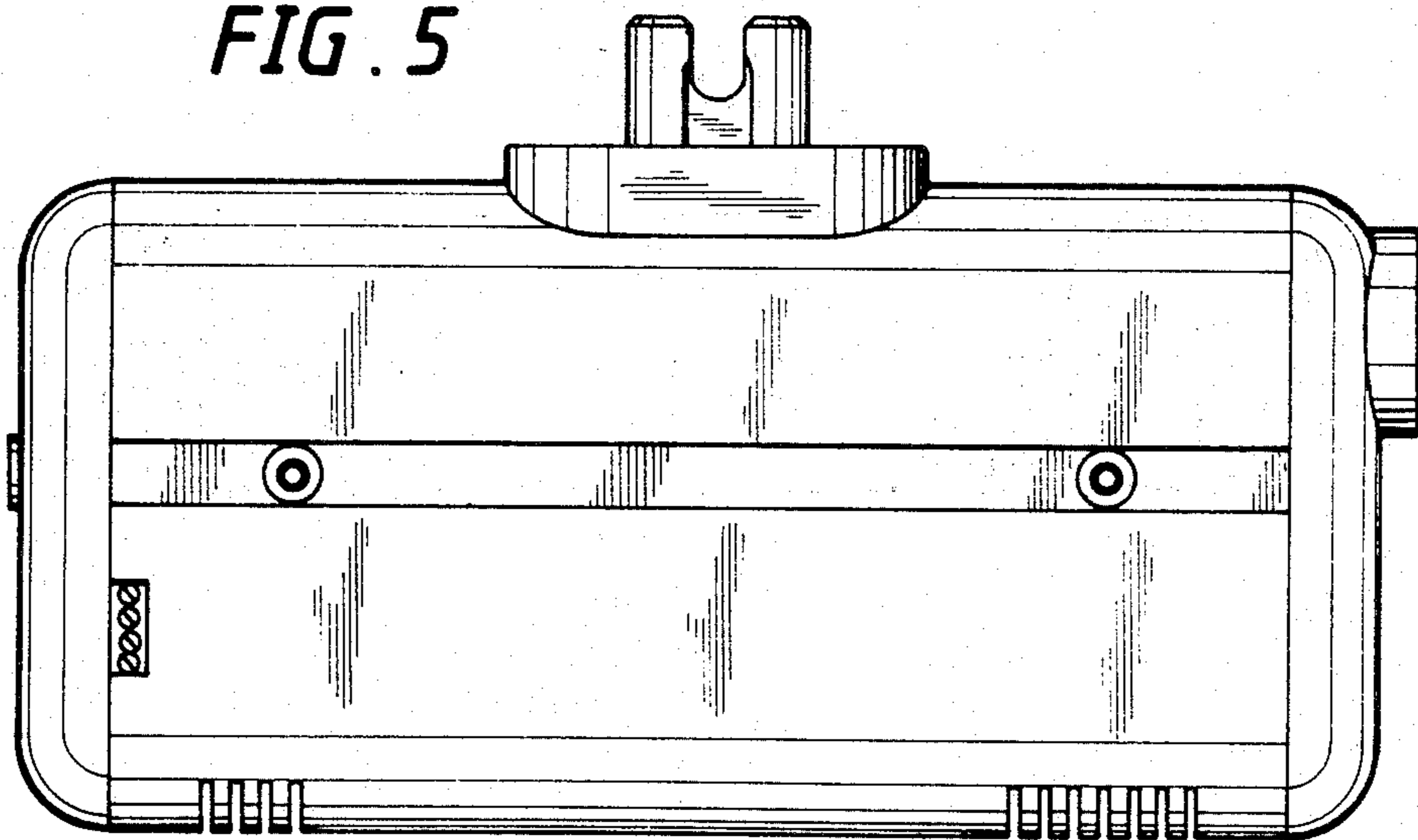


FIG. 6

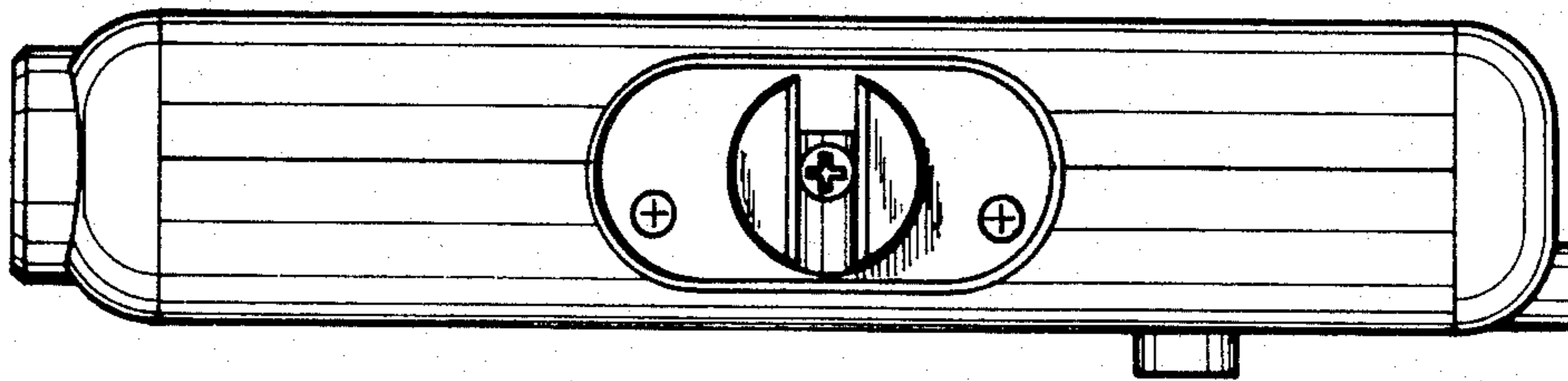


FIG. 7

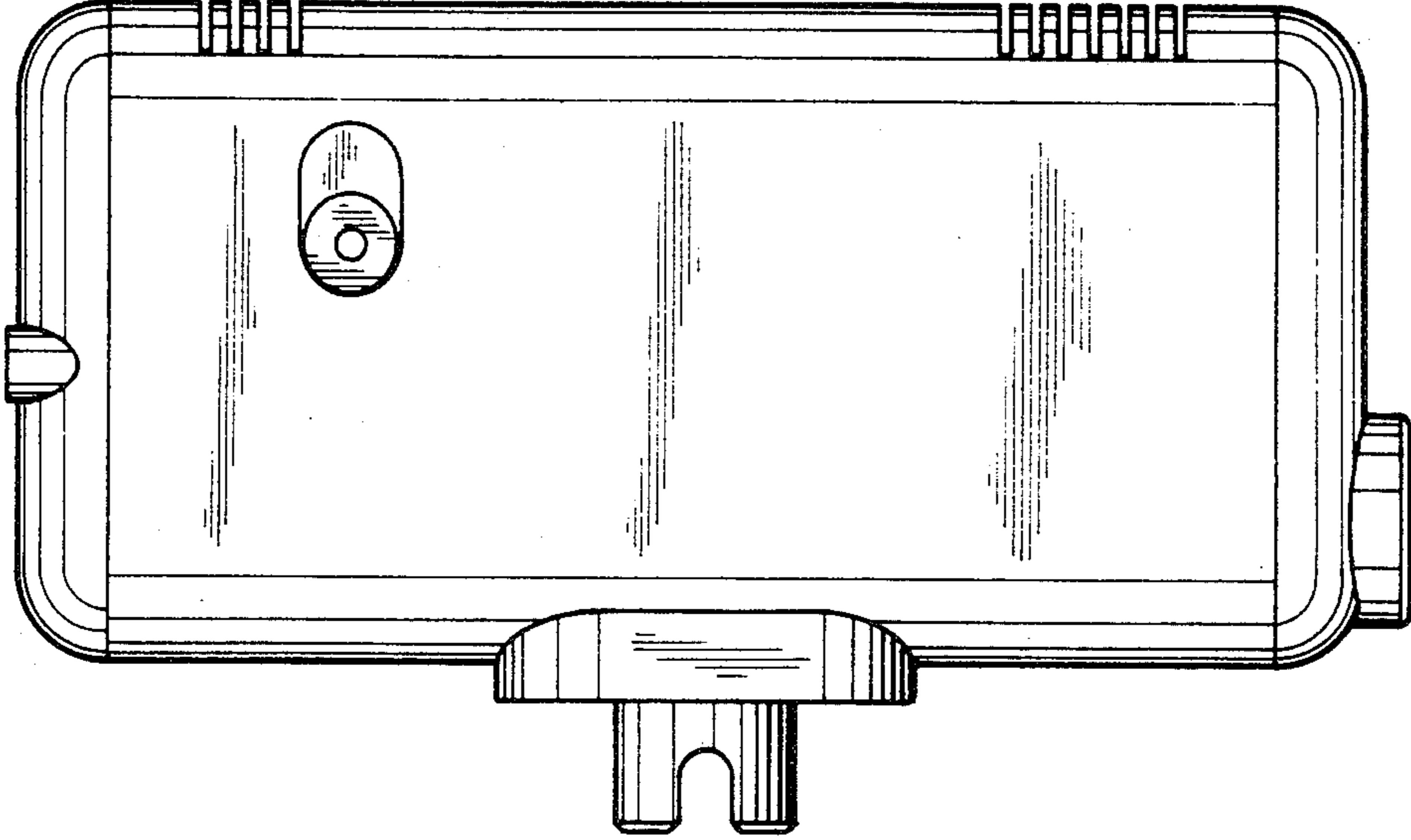


FIG. 8

