

[54] **COMPACT ELECTRIC DISCHARGE LAMP**

[75] **Inventor: Denis E. Bedel, Pittsburgh, Pa.**

[73] **Assignee: North American Philips Electric Corp., New York, N.Y.**

[**] **Term: 14 Years**

[21] **Appl. No.: 402,192**

[22] **Filed: Jul. 26, 1982**

[52] **U.S. Cl. D26/3; D26/26**

[58] **Field of Search D26/1, 2, 3, 4, 26, D26/79; 362/216, 363, 311, 300, 294; 315/51, 53, 57, 58, 56; 313/317, 318, 315, 493**

[56] **References Cited**

U.S. PATENT DOCUMENTS

D. 113,357	2/1939	Babb	D26/3
D. 248,593	7/1978	Oster	D26/3
4,173,730	11/1979	Young et al.	315/53
4,208,604	6/1980	Cowenberg	D26/2 X
4,270,071	5/1981	Morton	315/53 X

FOREIGN PATENT DOCUMENTS

437859	9/1976	Japan	.
437860	9/1976	Japan	.
437859	12/1977	Japan	.
2033653	5/1980	United Kingdom	.

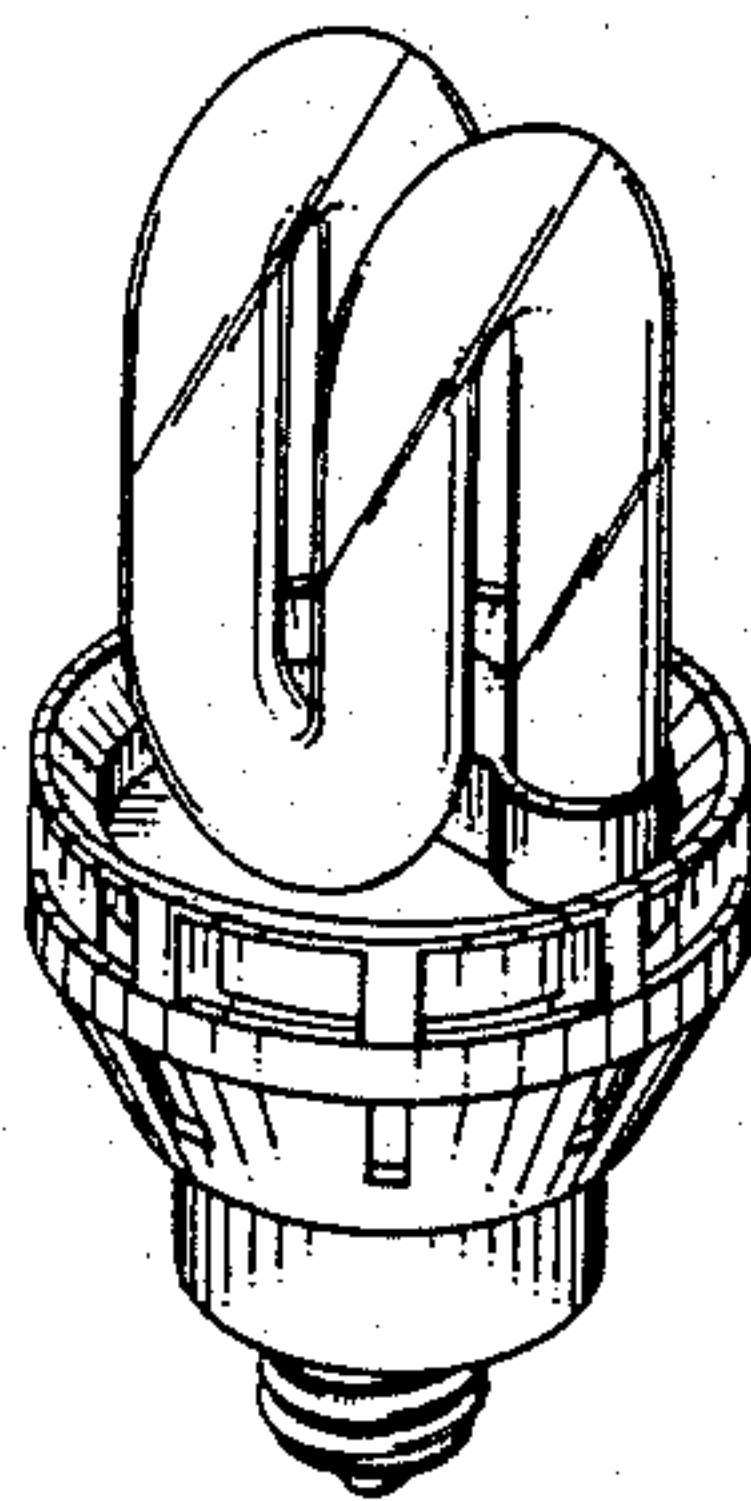
Primary Examiner—Susan J. Lucas
Attorney, Agent, or Firm—Rolf E. Schneider

[57] **CLAIM**

The ornamental design for a compact electric discharge lamp, as shown and described.

DESCRIPTION

FIG. 1 is a perspective view of a compact electric discharge lamp embodying my new design; FIGS. 2 and 3 are front and side elevational views, respectively, thereof; FIGS. 4 and 5 are top and bottom plan views, respectively, thereof; FIG. 6 is a perspective view of a second embodiment of my new lamp design; FIGS. 7 and 8 are front and side elevational views, respectively, of the second embodiment; FIGS. 9 and 10 are top and bottom plan views, respectively, of the second embodiment.



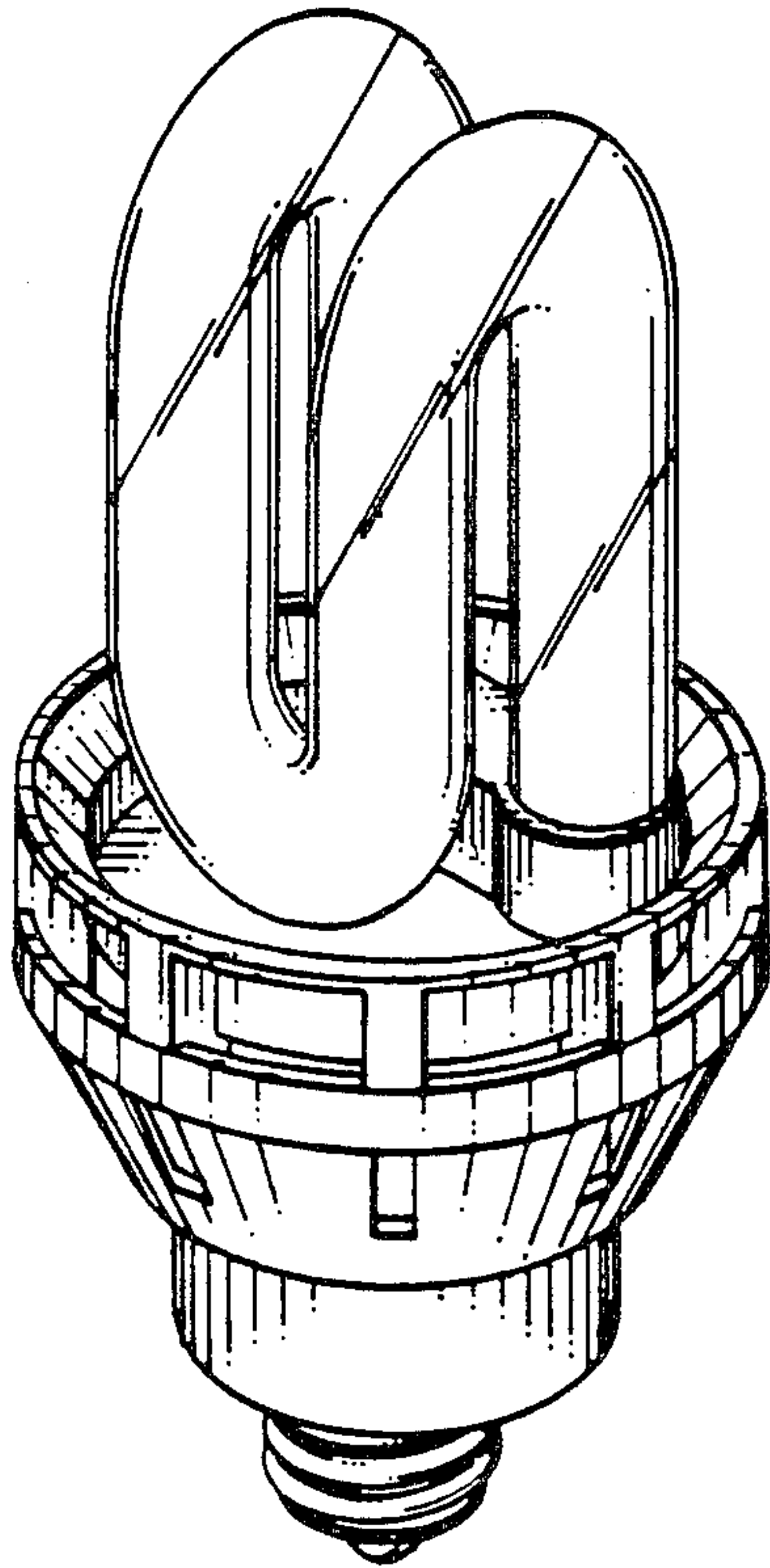


FIG. 1

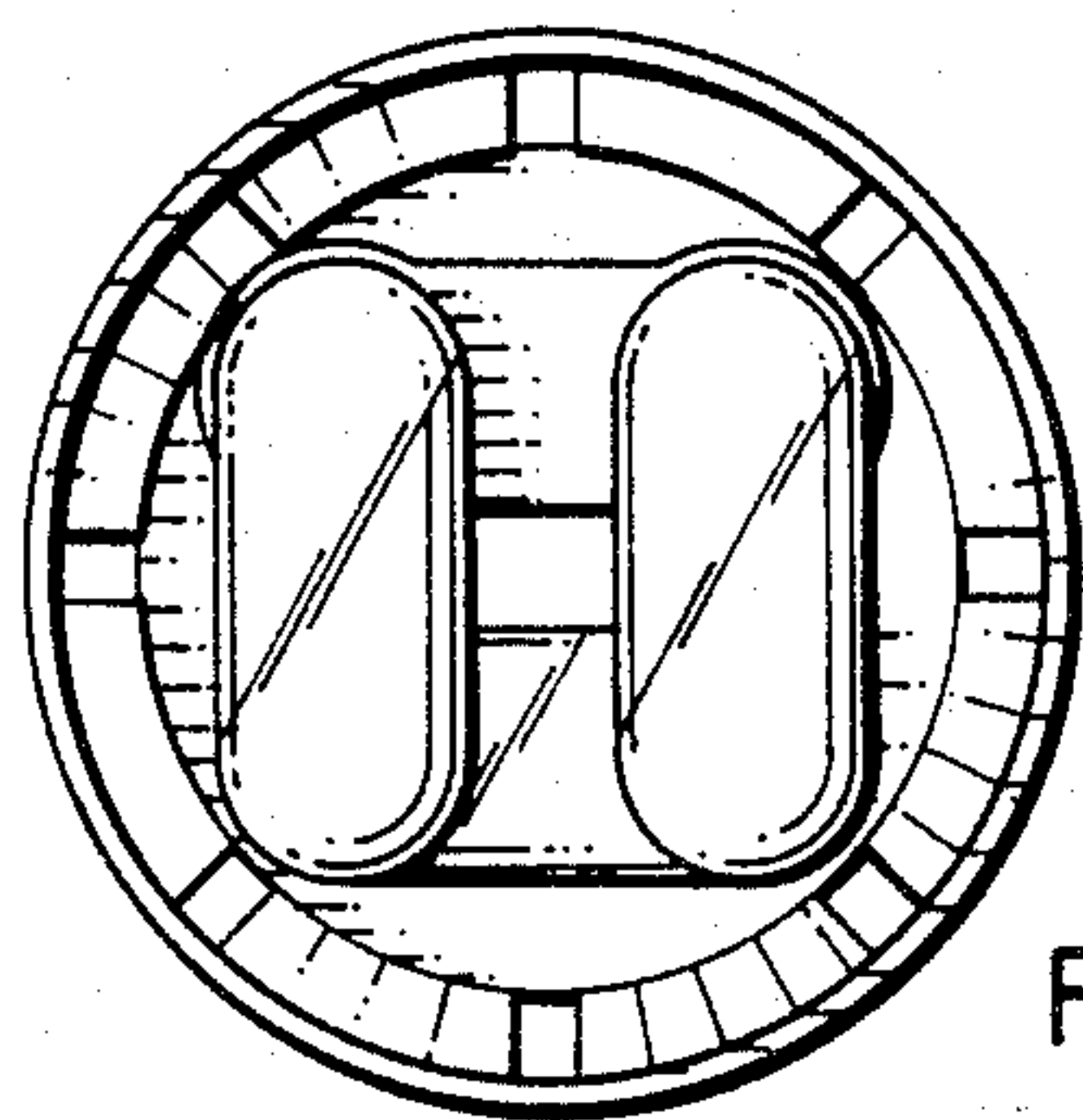


FIG. 4

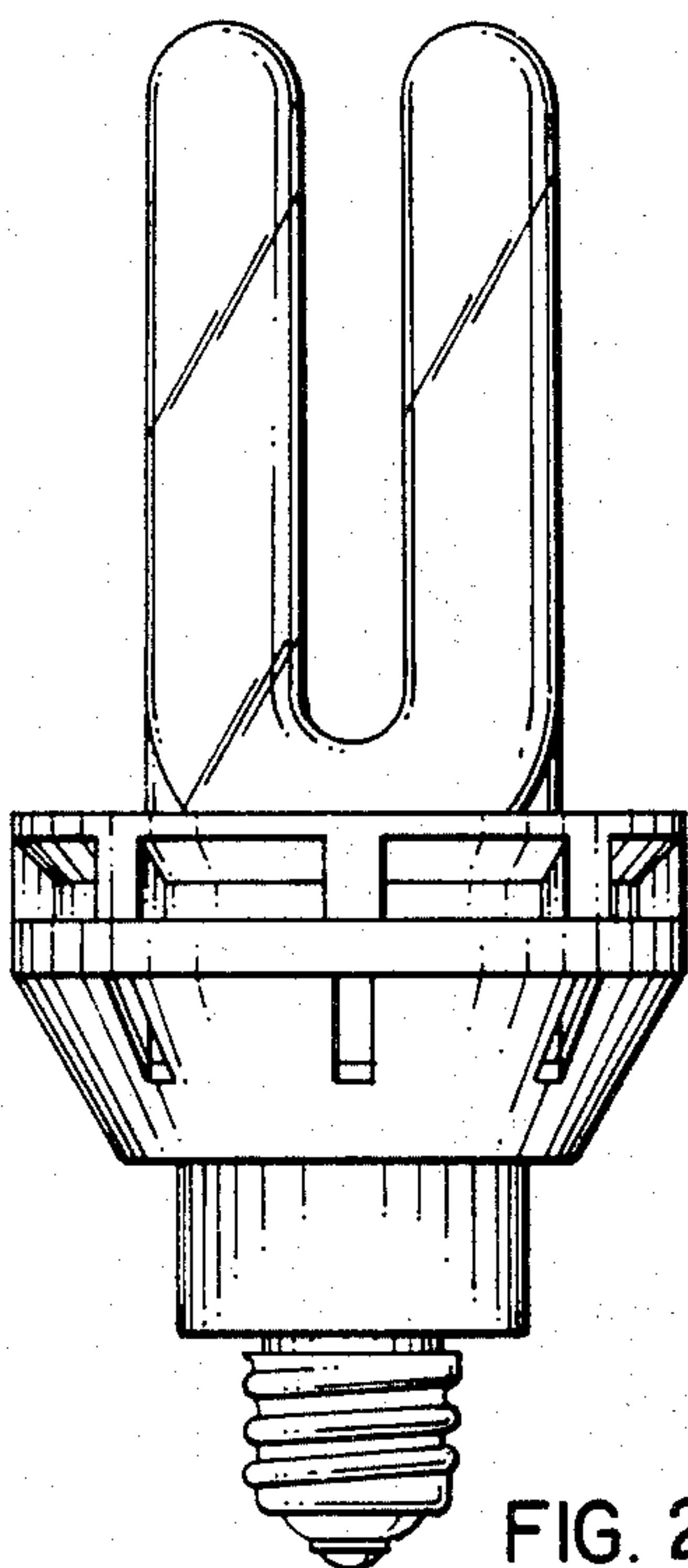


FIG. 2

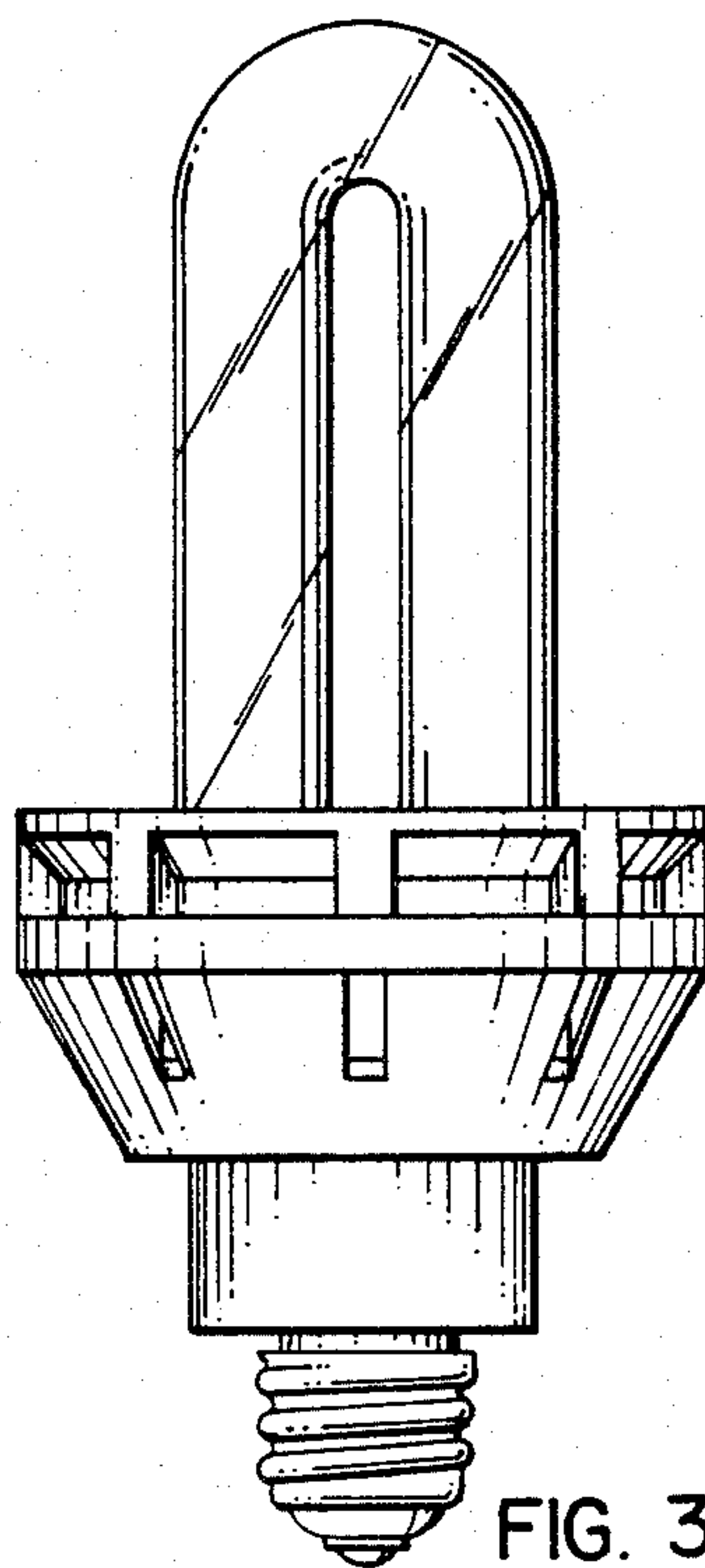


FIG. 3

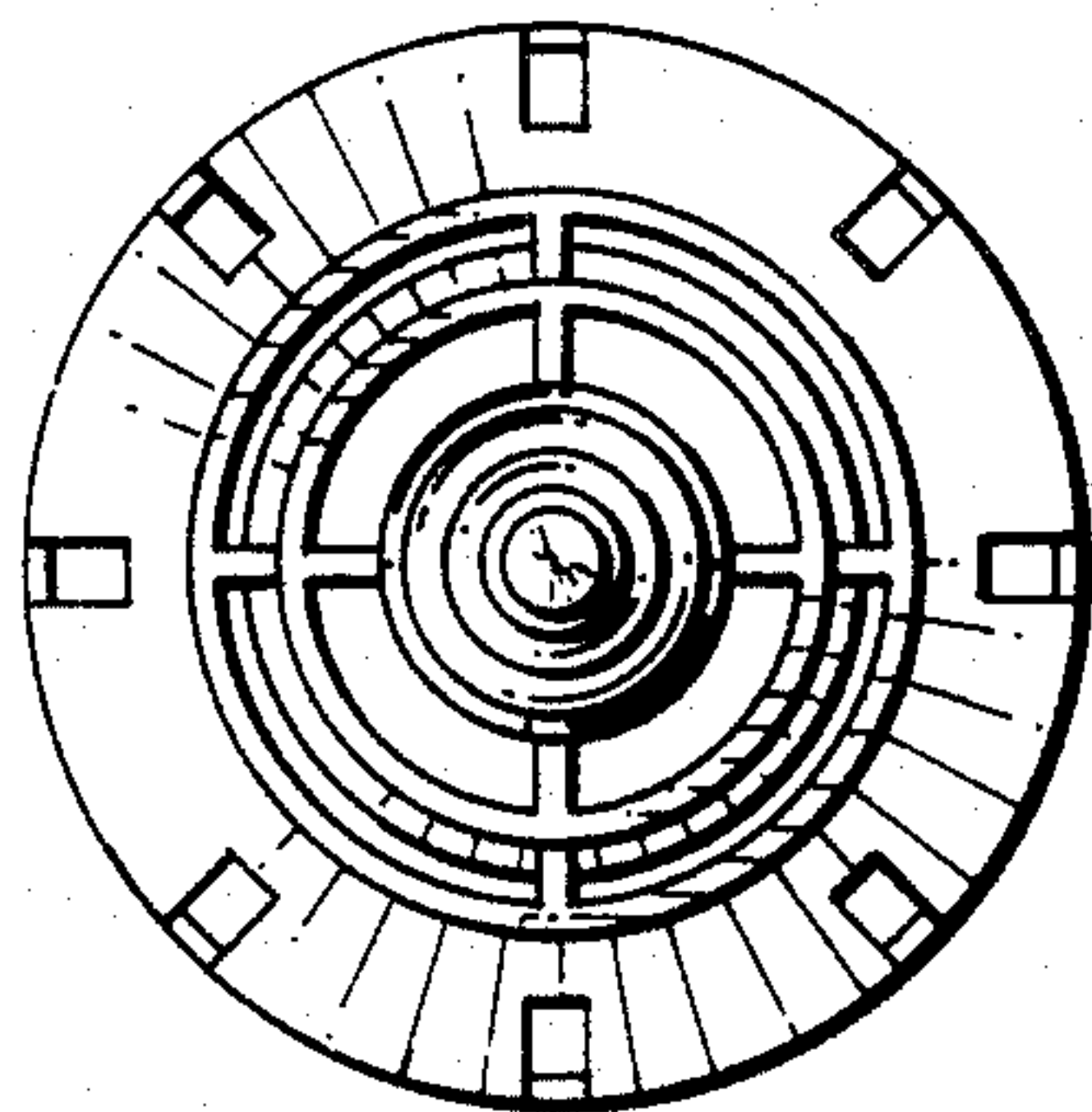


FIG. 5

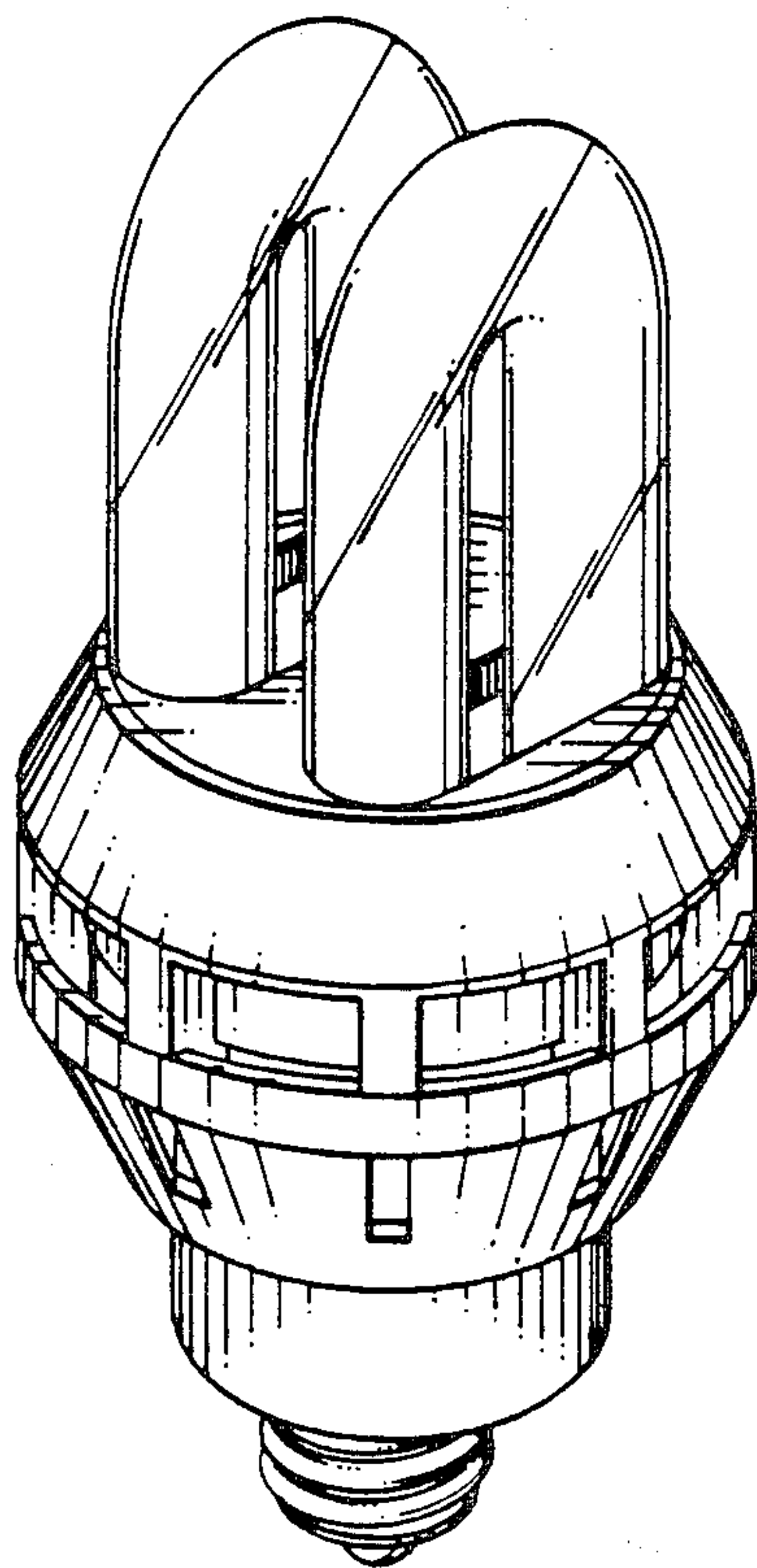


FIG. 6

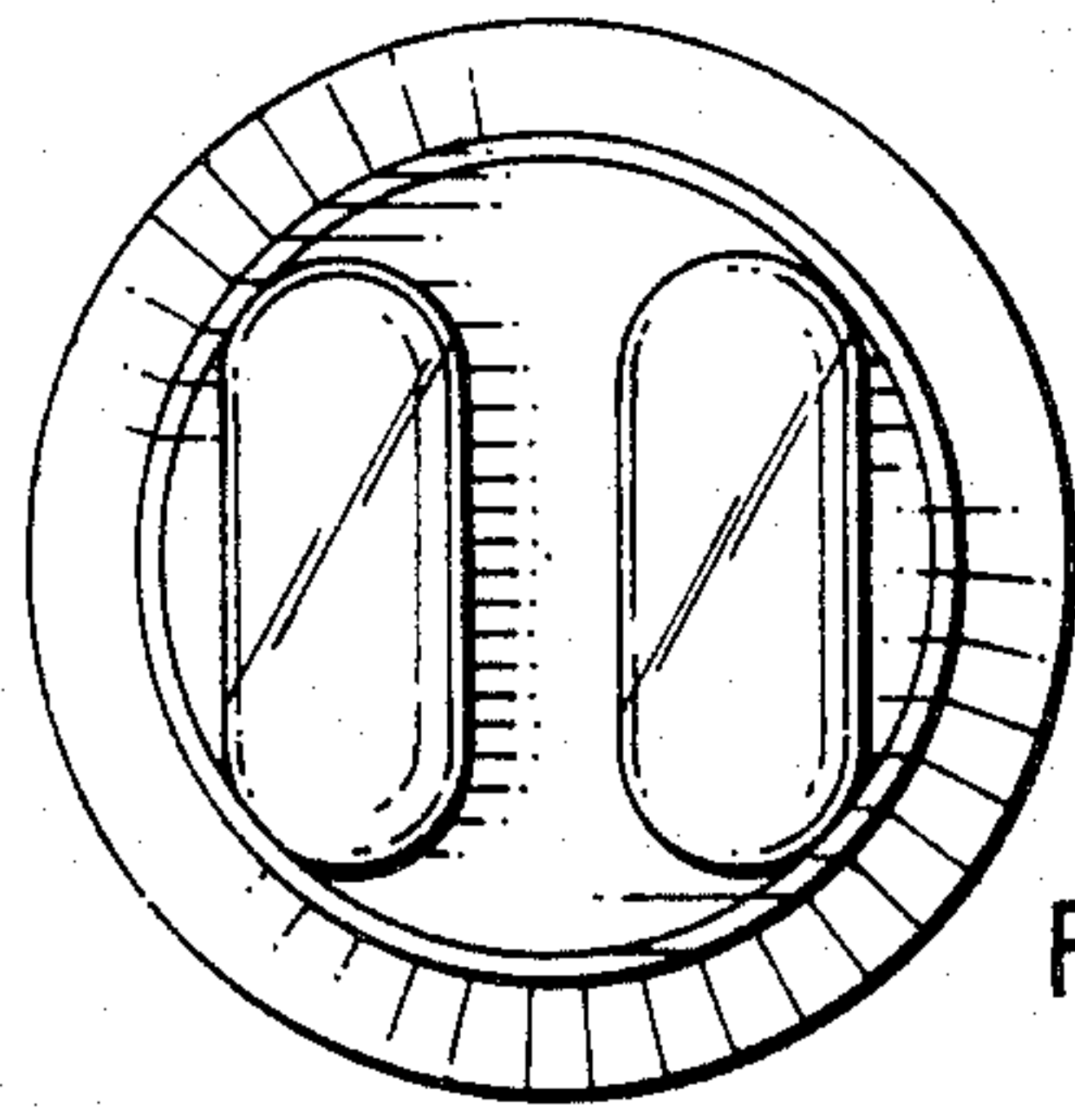


FIG. 9

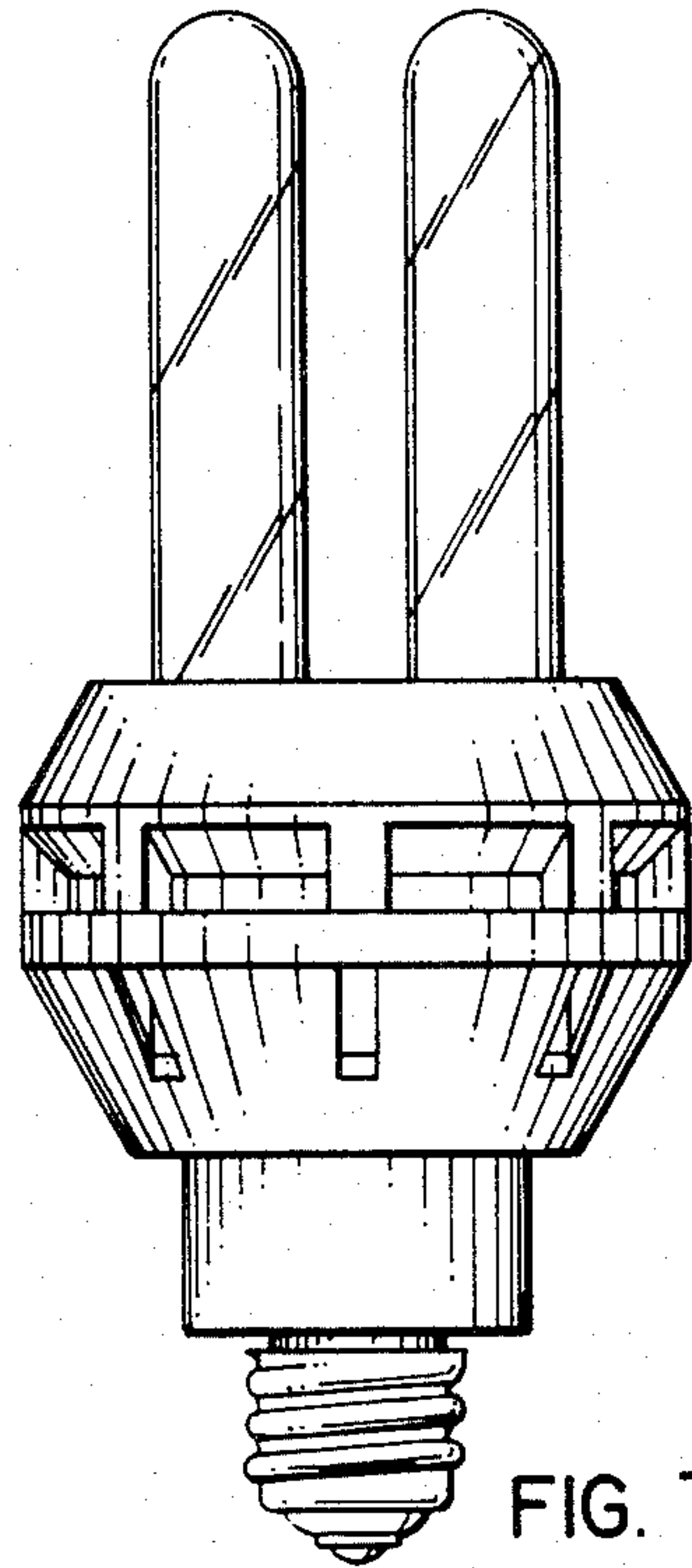


FIG. 7

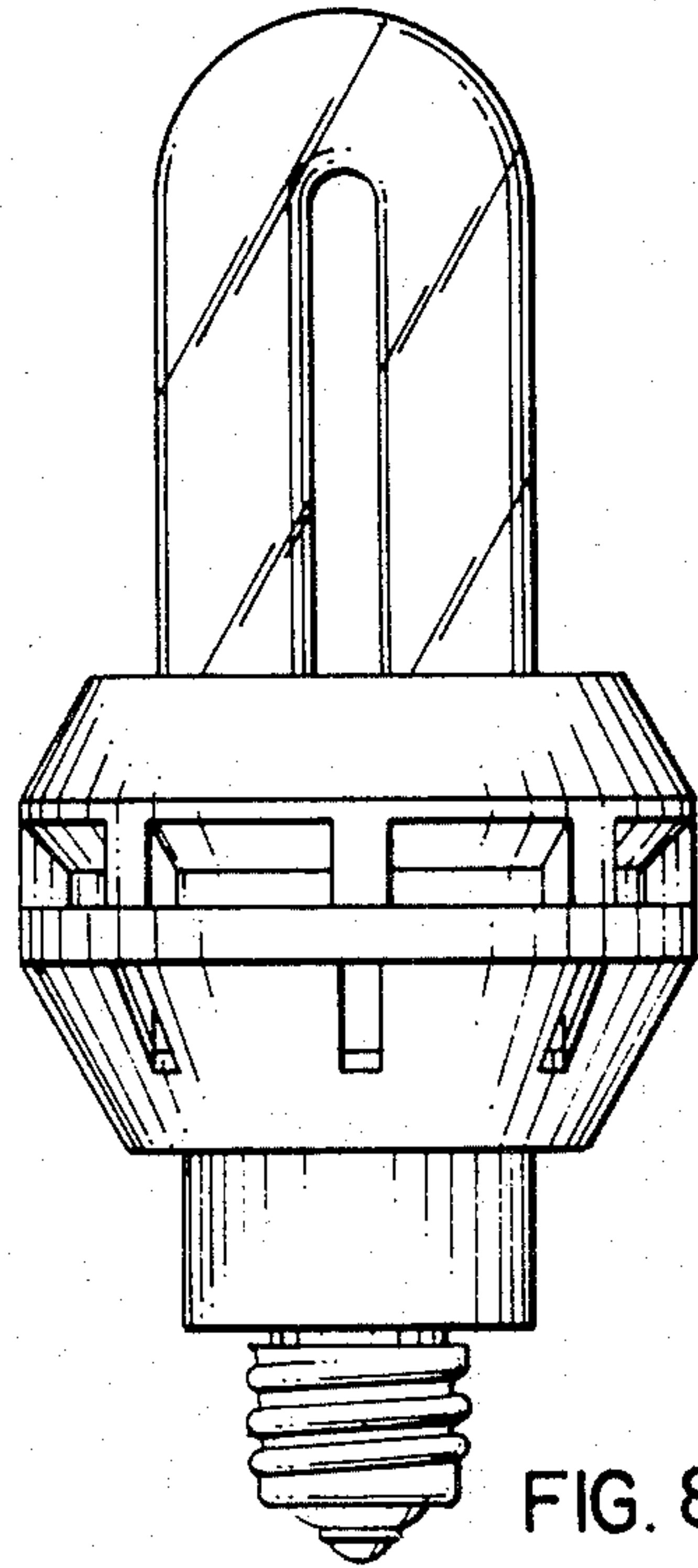


FIG. 8

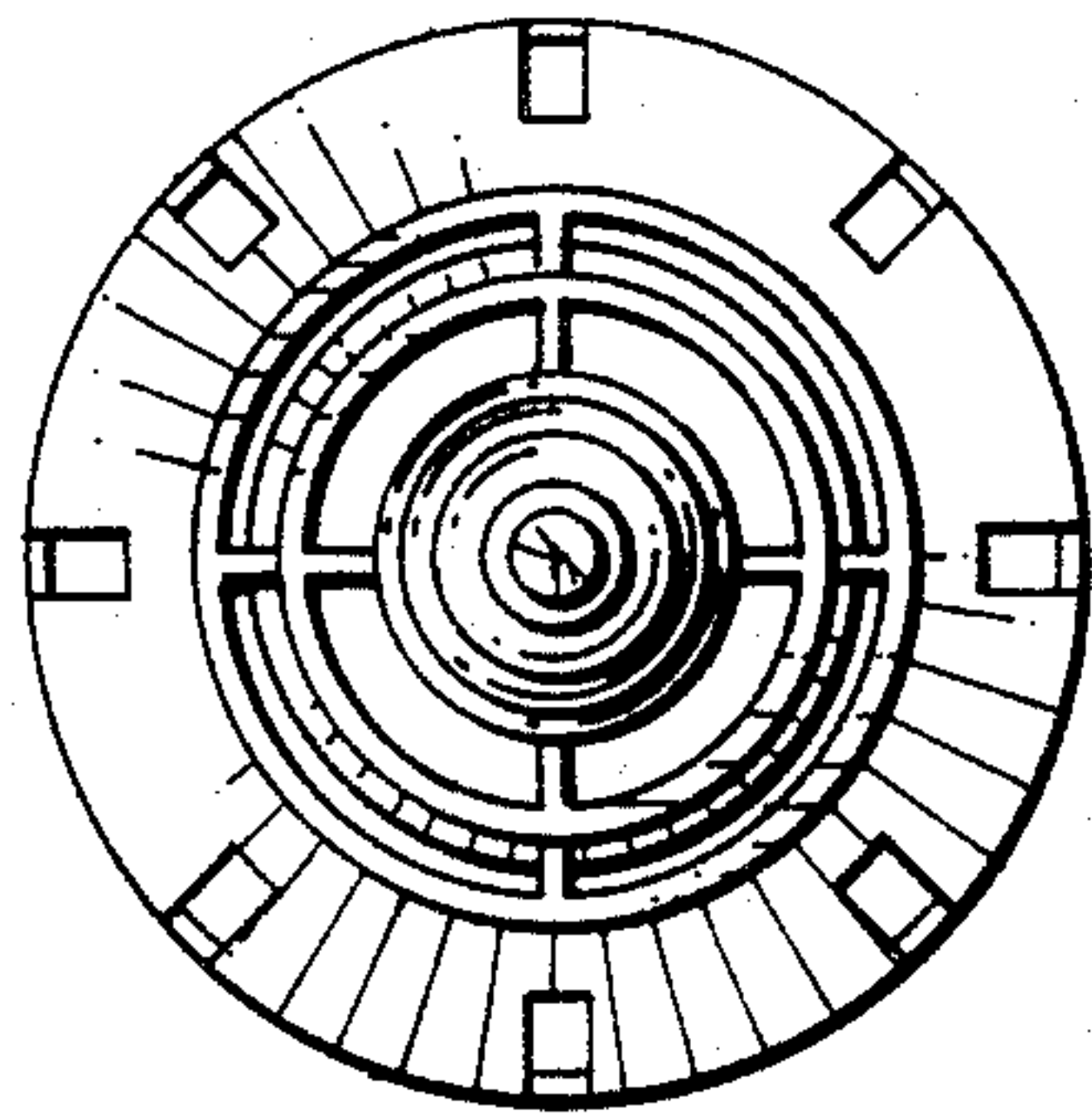


FIG. 10