

[54] OPERATING ASSEMBLY OF AN ENDOSCOPE

[75] Inventor: Michio Imada, Kodaira, Japan

[73] Assignee: Olympus Optical Company, Ltd., Japan

[**] Term: 14 Years

[21] Appl. No.: 415,690

[22] Filed: Sep. 7, 1982

[30] Foreign Application Priority Data

Mar. 8, 1982 [JP] Japan 57-9421

[52] U.S. Cl. D24/17

[58] Field of Search D24/17; 128/4, 5, 6, 128/8, 9

[56] References Cited

U.S. PATENT DOCUMENTS

4,078,555	3/1978	Takahashi	128/4
4,168,702	9/1979	Oshiro	128/6
4,207,873	6/1980	Krui	128/6
4,216,767	8/1980	Aoshiro	128/6
4,367,729	1/1983	Ogiu	128/6

4,416,268 11/1983 Hagino 128/6

Primary Examiner—A. Hugo Word
 Assistant Examiner—Ruth C. Anderson
 Attorney, Agent, or Firm—Ostrolenk, Faber, Gerb & Soffen

[57] CLAIM

The ornamental design for an operating assembly of an endoscope, as shown and described.

DESCRIPTION

FIG. 1 is a top, front, and left side perspective view of an operating assembly of an endoscope, showing my new design;

FIG. 2 is a rear, bottom, and right side perspective view thereof;

FIG. 3 is a front view thereof;

FIG. 4 is a rear view thereof;

FIG. 5 is a left side view thereof;

FIG. 6 is a right side view thereof;

FIG. 7 is a top view thereof; and

FIG. 8 is a bottom view thereof.

The portions shown in broken lines in FIGS. 1 and 2 have been disclosed for illustrative purposes only and form no part of the claimed design.

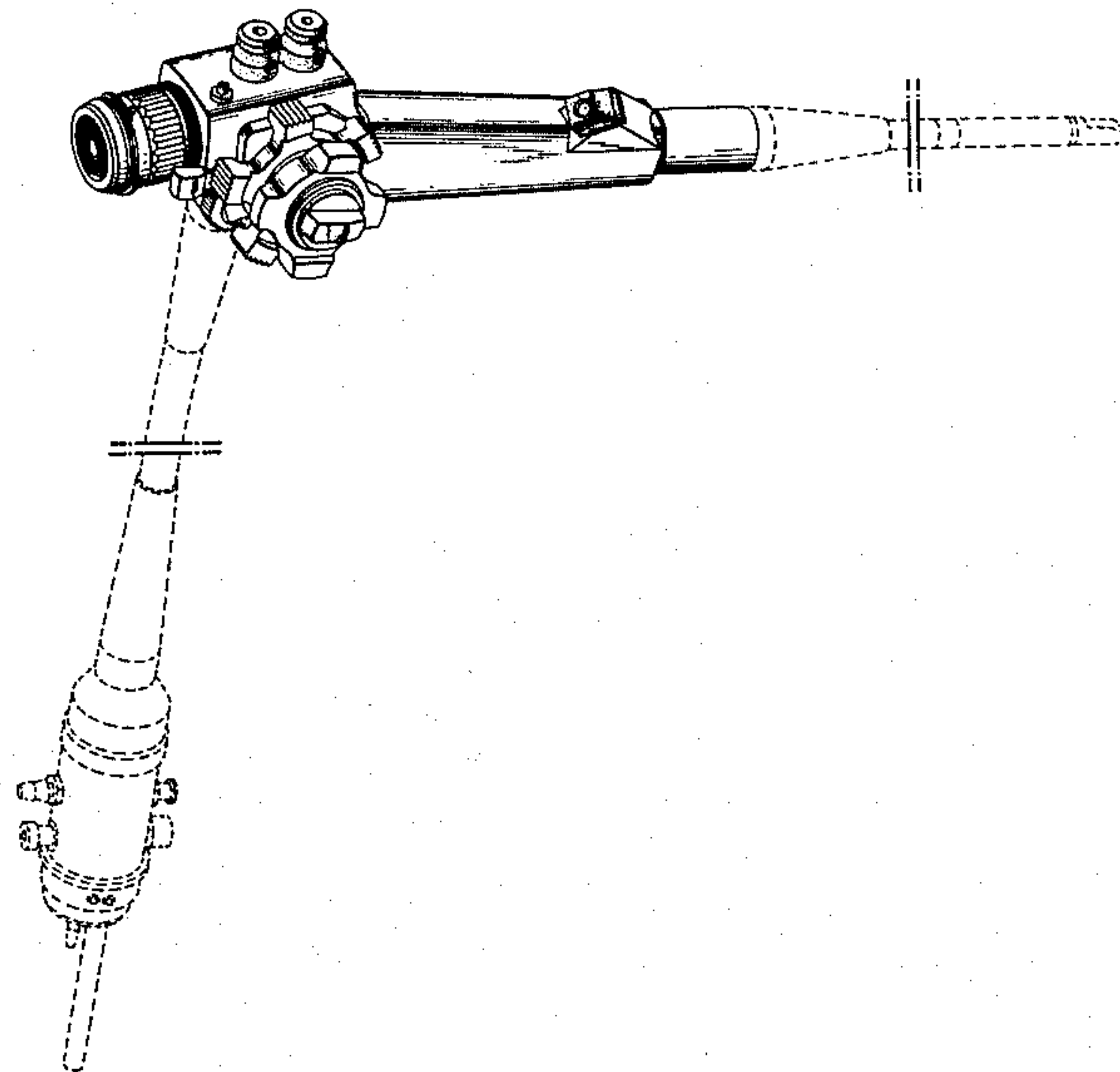


FIG. 1

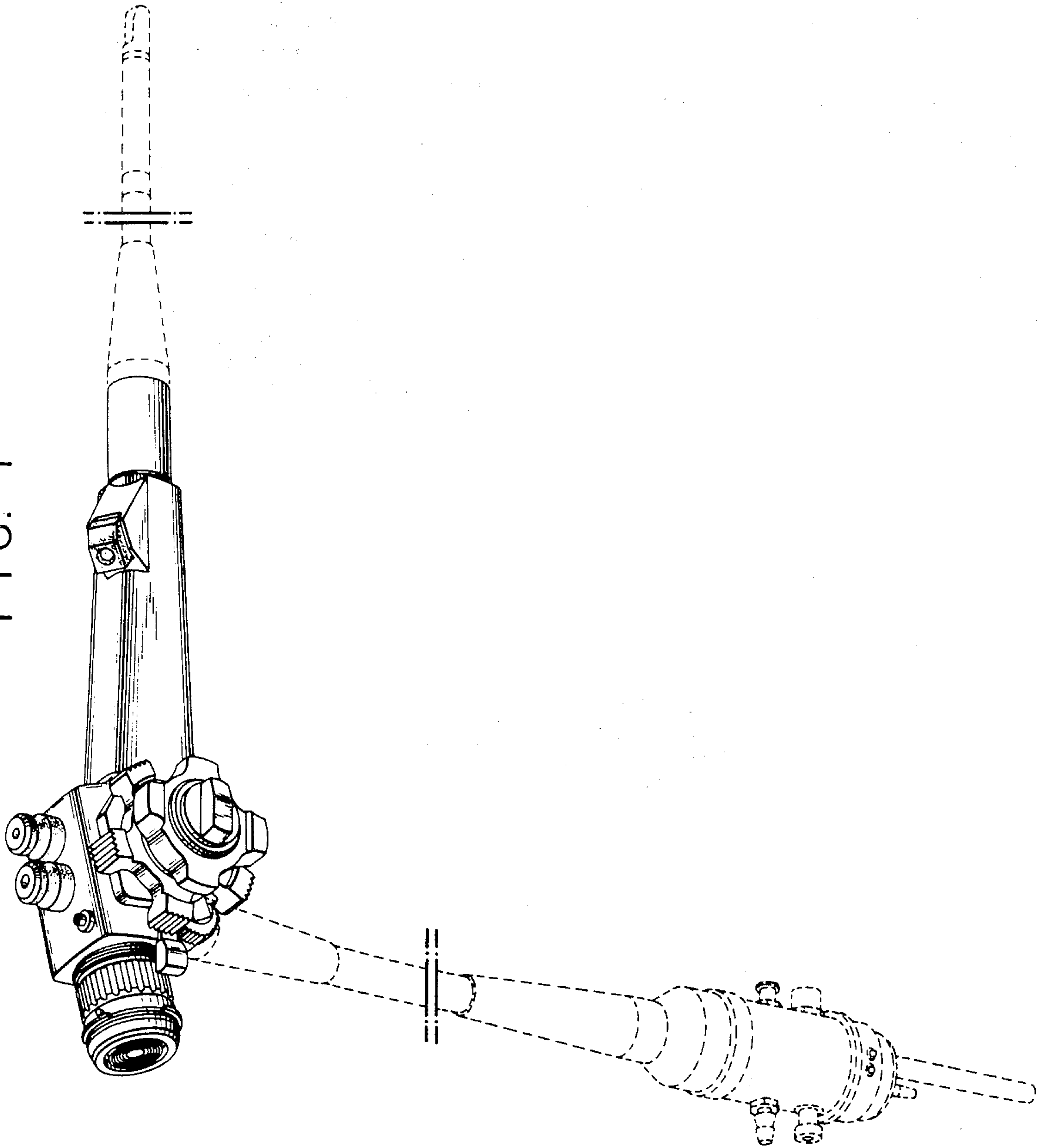


FIG. 2

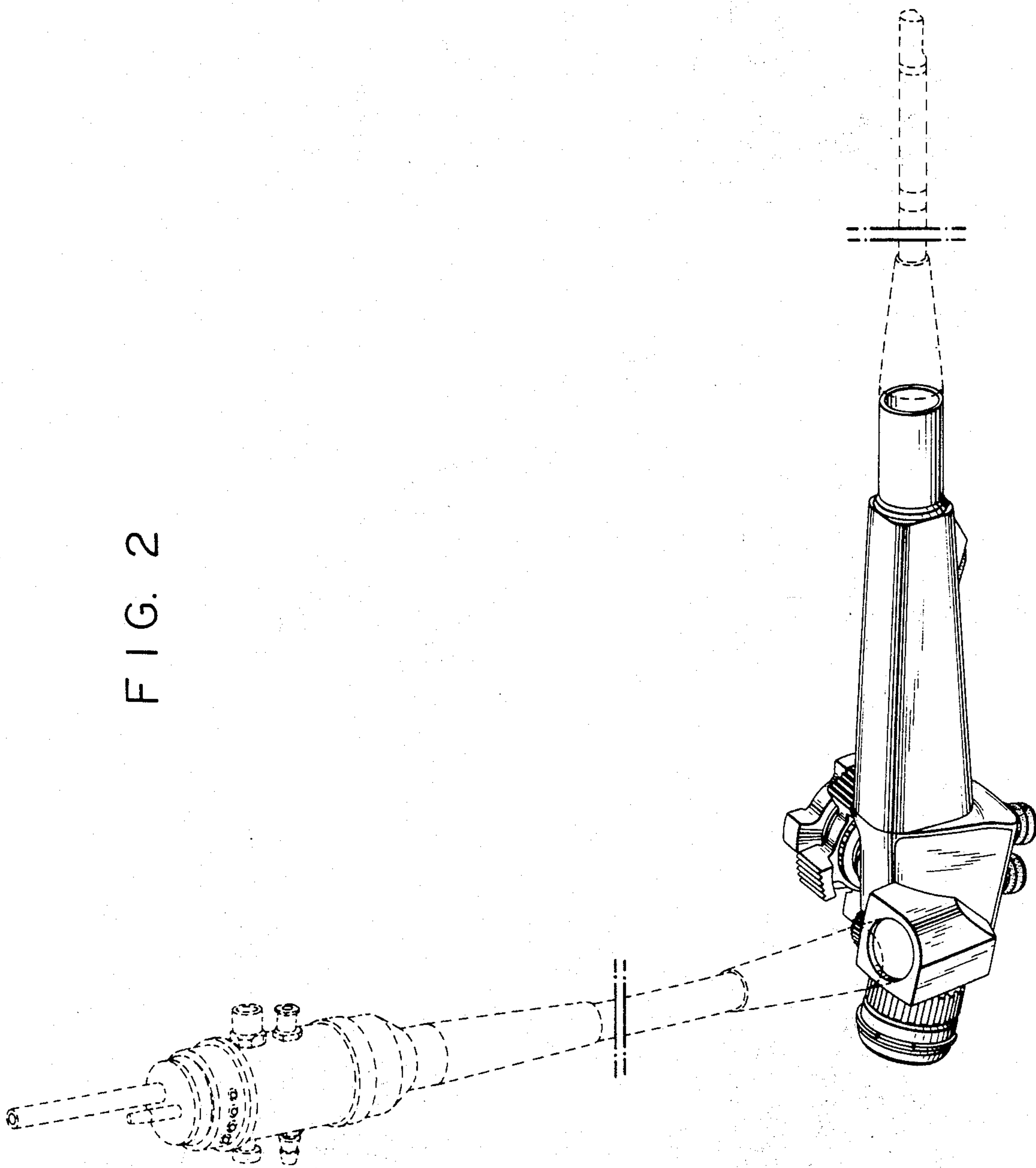


FIG. 3

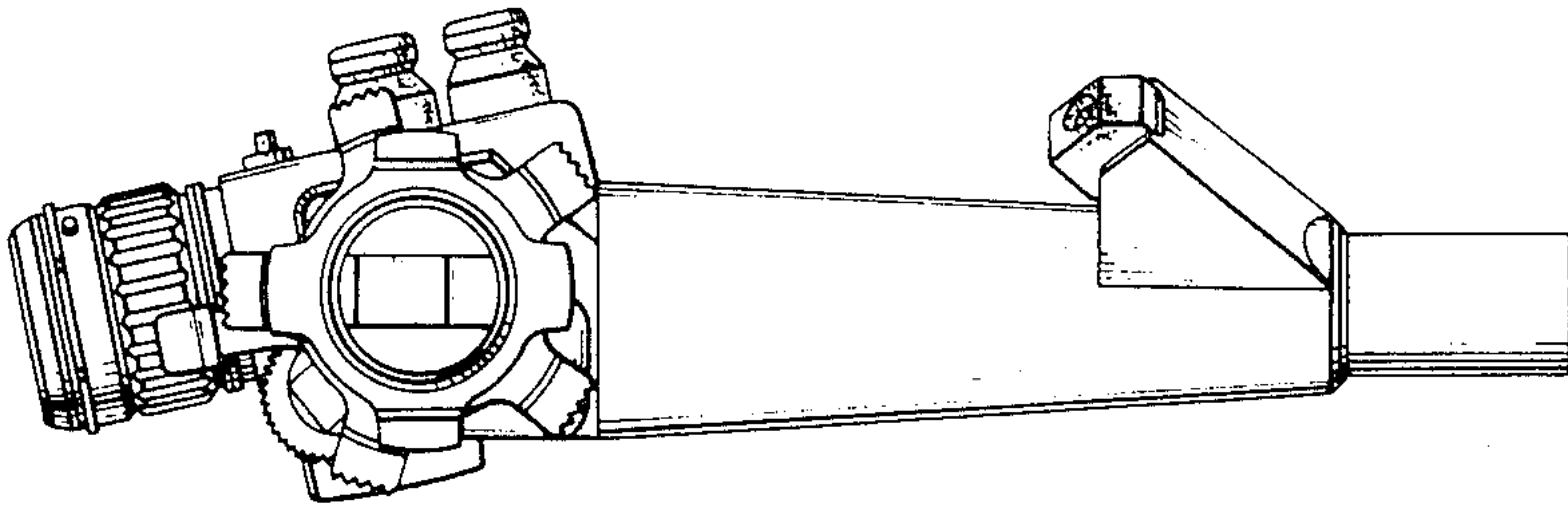


FIG. 4

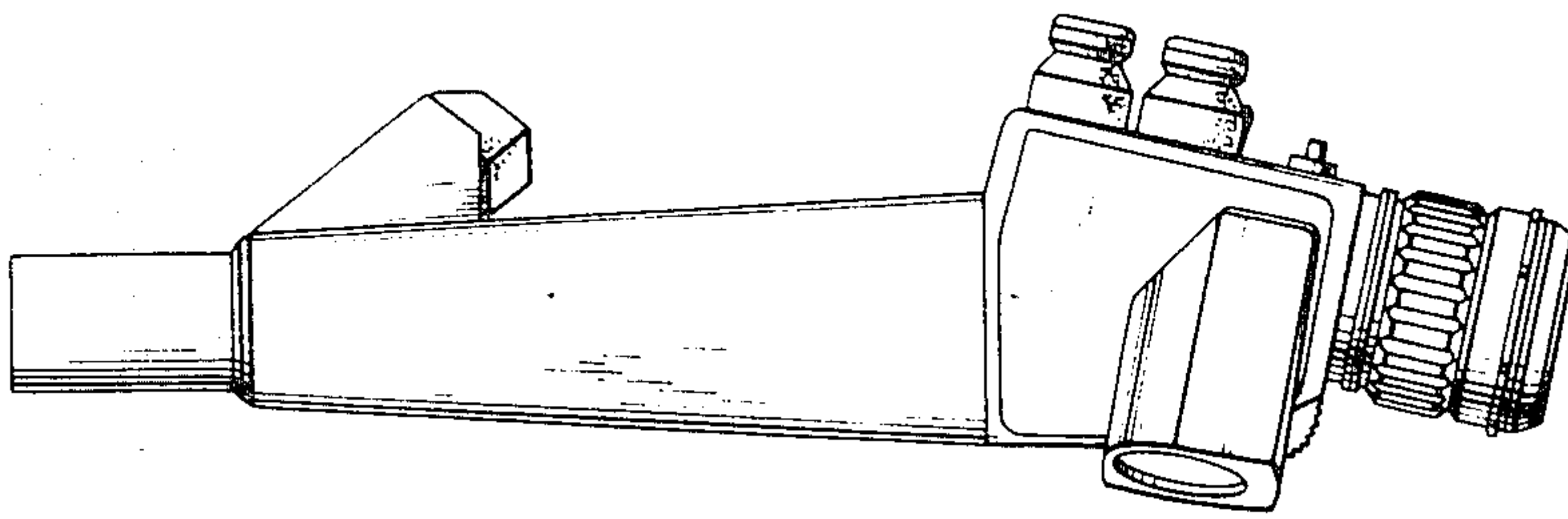


FIG. 5

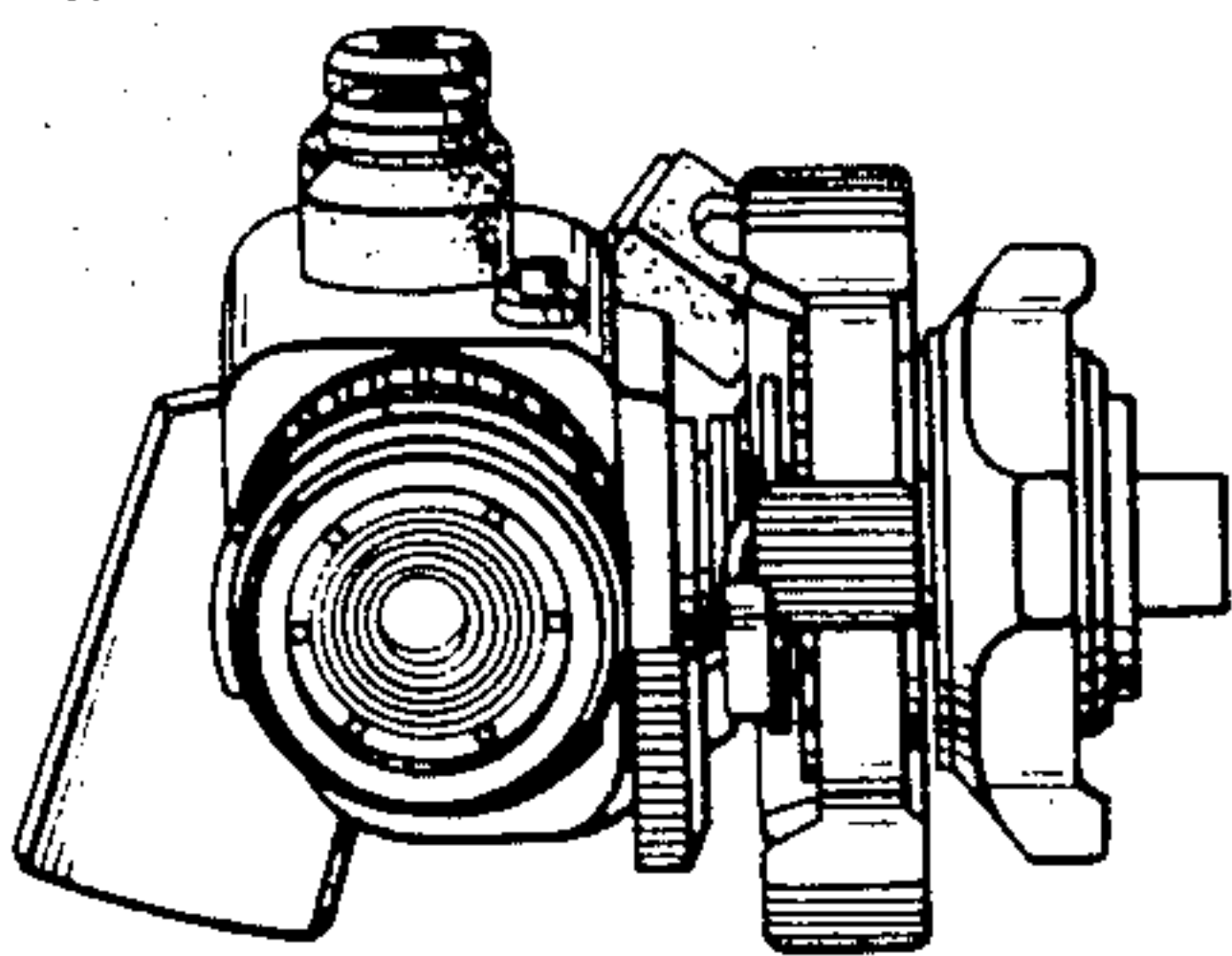


FIG. 6

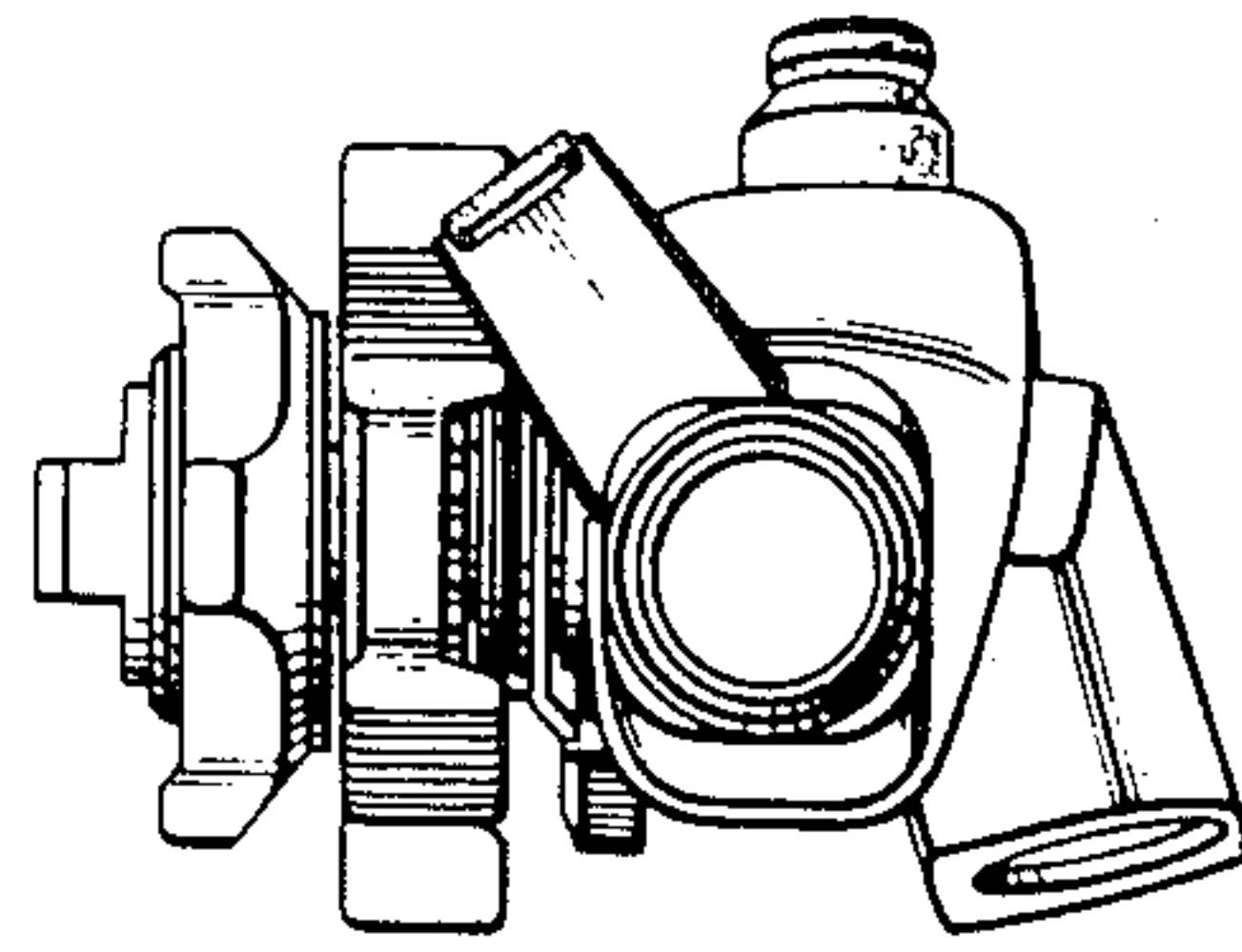


FIG. 7

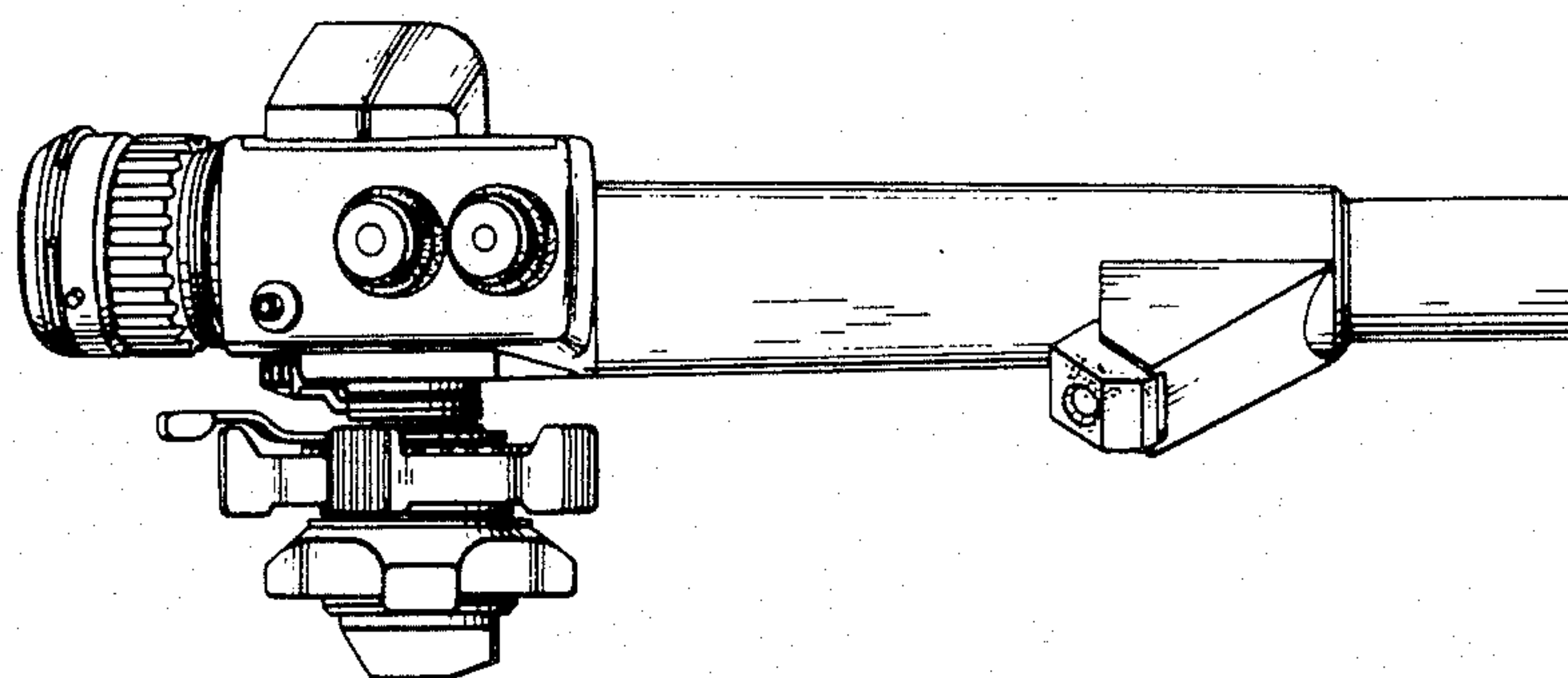


FIG. 8

