

United States Patent [19]

Wilson

[11] Patent Number: **Des. 277,403**

[45] Date of Patent: **** Jan. 29, 1985**

[54] **AIR NOZZLE**

[75] Inventor: **Peter M. Wilson, Hayes, England**

[73] Assignee: **Lucas Industries Limited,
Birmingham, England**

[**] Term: **14 Years**

[21] Appl. No.: **346,198**

[22] Filed: **Feb. 5, 1982**

[30] **Foreign Application Priority Data**

Sep. 12, 1981 [GB] United Kingdom 1002467

[52] U.S. Cl. **D23/35**

[58] Field of Search **D23/34, 35; 239/518,
239/DIG. 21, DIG. 22**

[56] **References Cited**

U.S. PATENT DOCUMENTS

D. 41,544	9/1976	Whitbread	D23/34
D. 93,865	11/1934	Czarnecki, Jr.	D23/35
D. 198,356	6/1964	Wahlin	D23/35
D. 218,824	9/1970	Lawrence	D23/34
D. 261,547	10/1981	Parke	D23/34

3,884,419	5/1975	Geoffray	D39/DIG. 22 X
3,984,054	10/1976	Frochoux	239/DIG. 22 X
3,985,302	10/1976	Frochoux	239/DIG. 22 X
4,261,516	4/1981	Tillman	239/DIG. 22 X
4,385,728	5/1983	Inglis et al.	239/DIG. 21 X
4,431,135	2/1984	Kaye	239/DIG. 21 X

Primary Examiner—James R. Largen
Attorney, Agent, or Firm—Staas & Halsey

[57] **CLAIM**

The ornamental design for air nozzle, as shown and described.

DESCRIPTION

FIG. 1 is a top plan view of an air nozzle showing my new design, the bottom being a mirror image of the top shown;

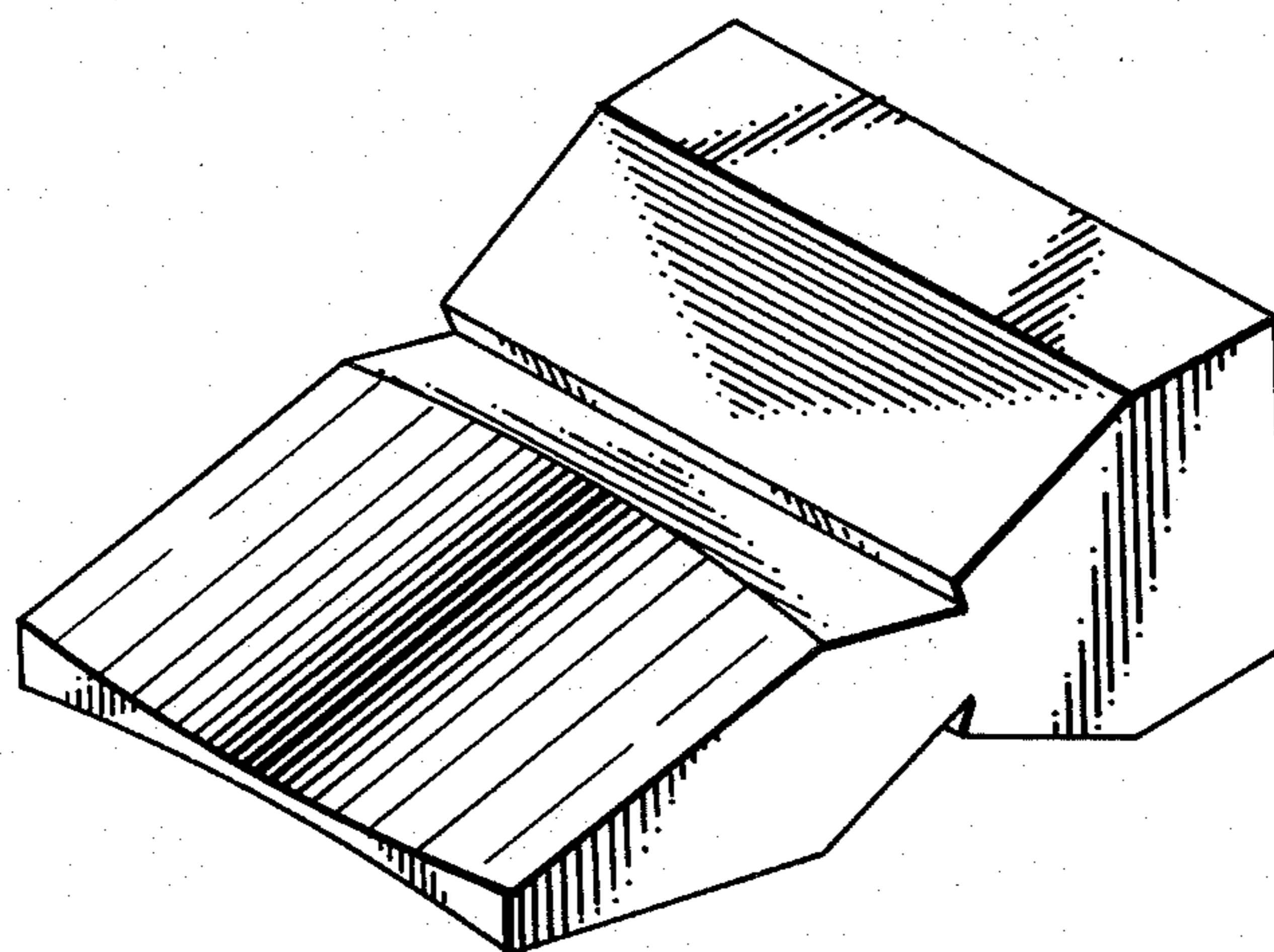
FIG. 2 is a right side elevational view thereof, the left side being a mirror image of the right side shown;

FIG. 3 is a front elevational view thereof;

FIG. 4 is a rear elevational view thereof;

FIG. 5 is a cross-sectional view taken on line 5—5 of FIG. 1; and

FIG. 6 is a perspective view of the air nozzle.



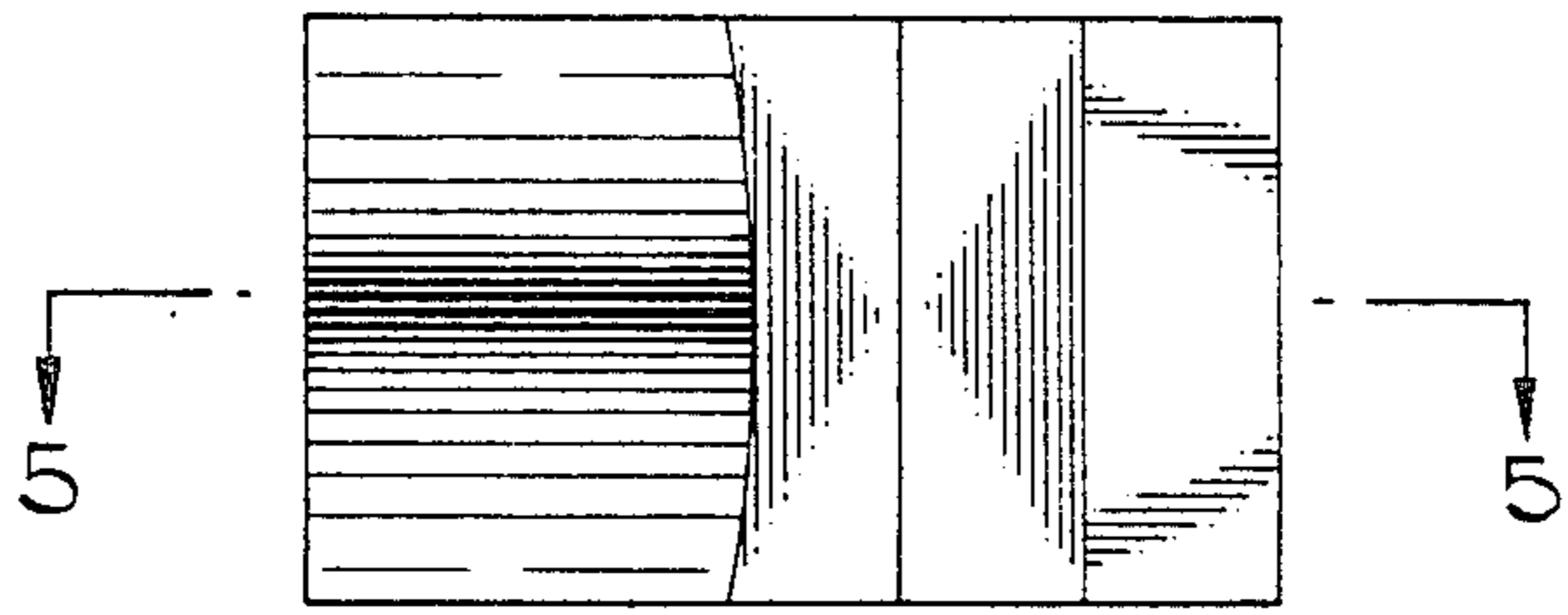


FIG. 1.

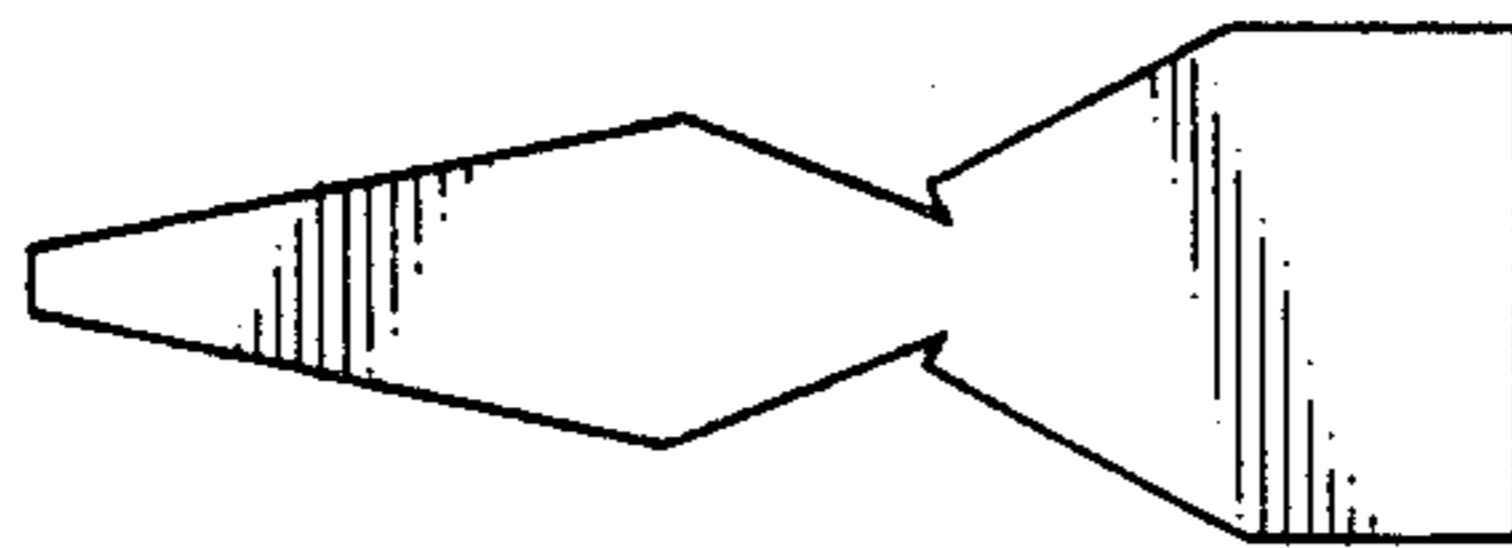


FIG. 2.

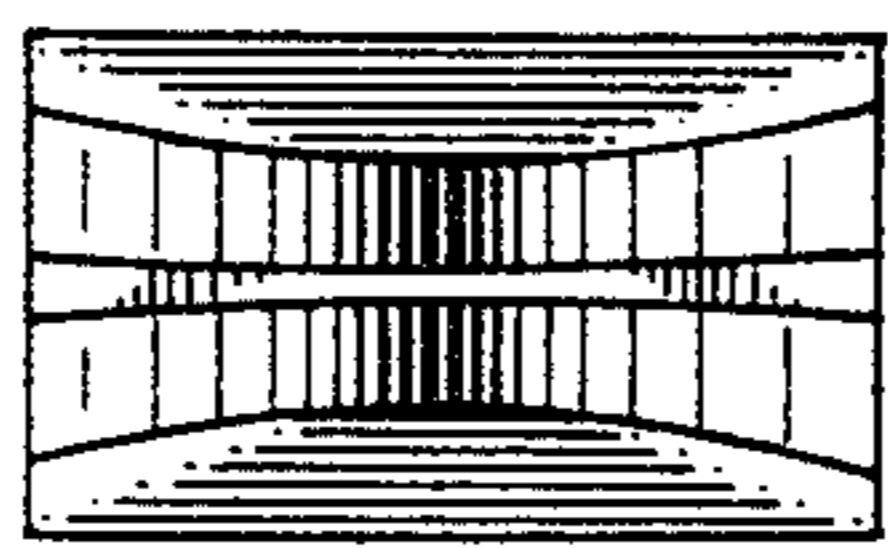


FIG. 3.

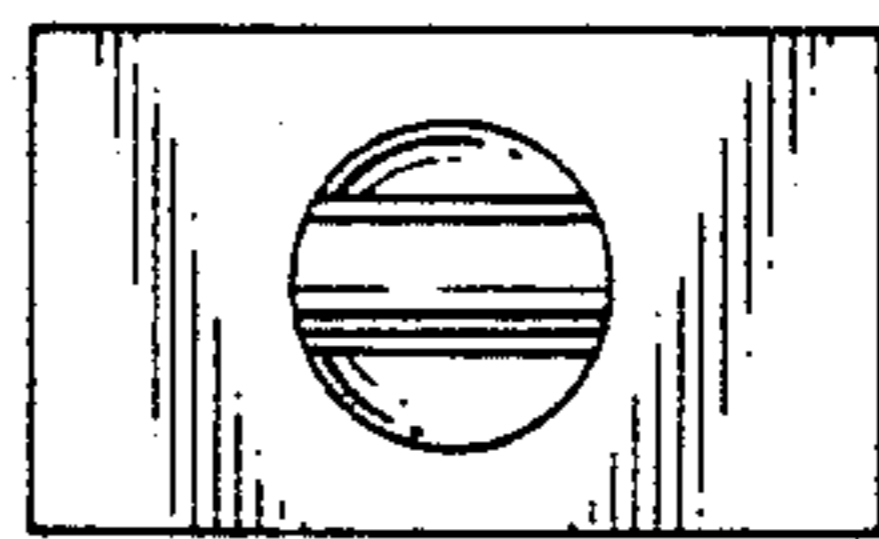


FIG. 4.

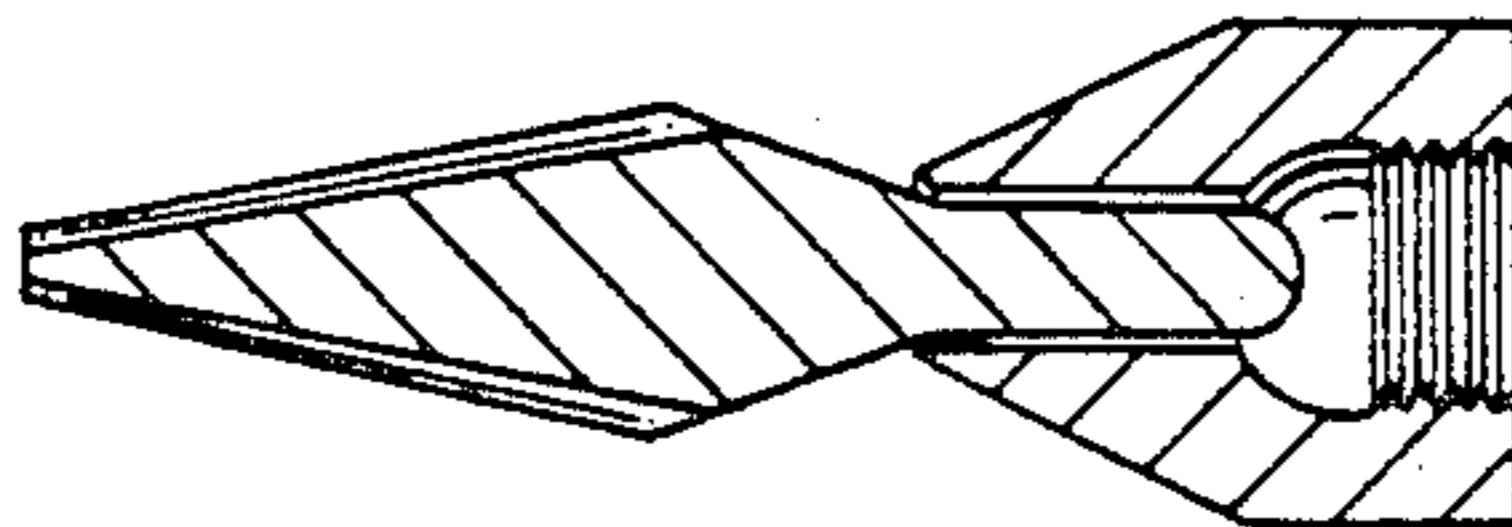


FIG. 5.

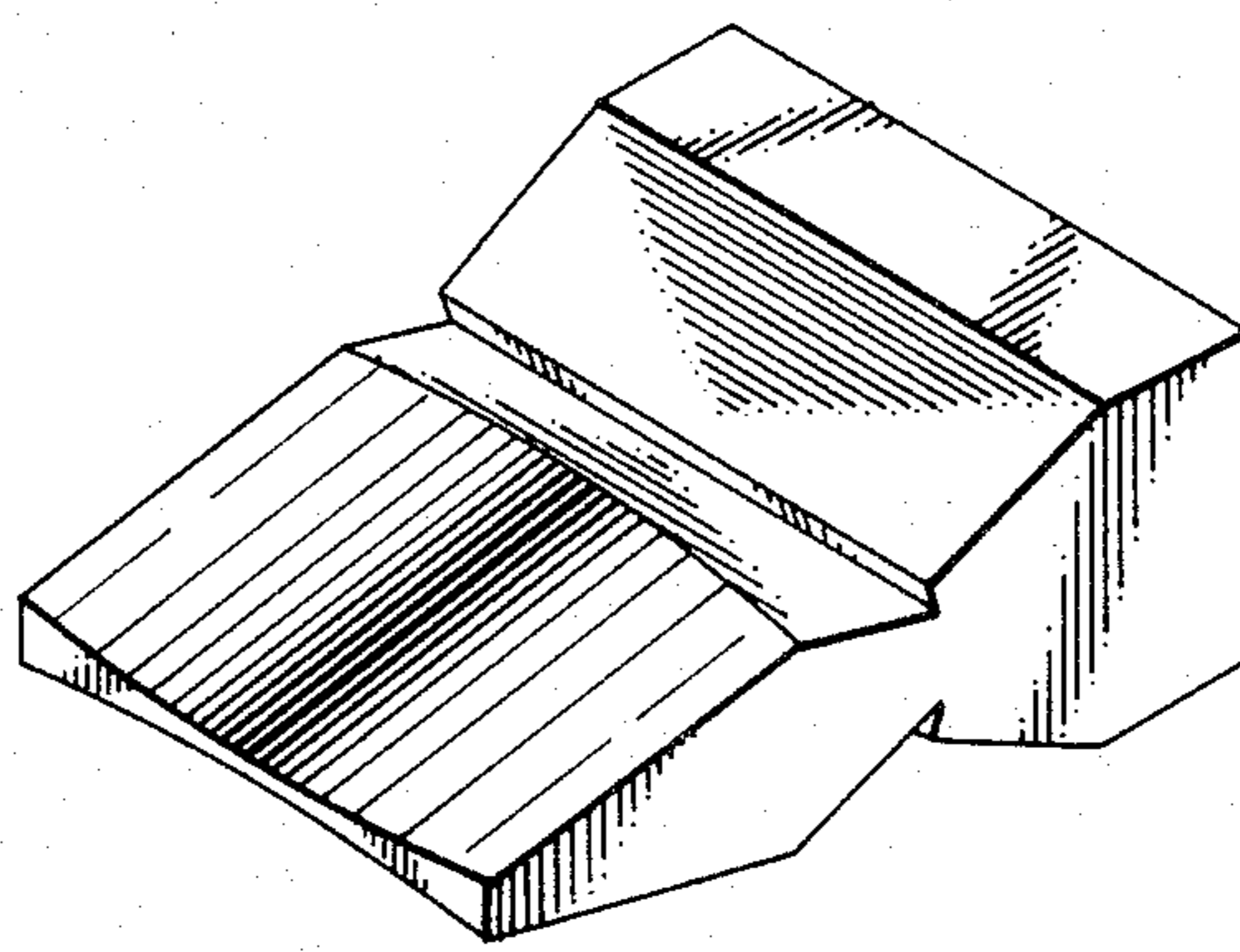


FIG. 6.