

[54] GYMNASTIC PLATFORM

[76] Inventor: Syozo Inoue, 84 Yamashita-cho, Naka-ku, Yokohama, Japan

[**] Term: 14 Years

[21] Appl. No.: 406,635

[22] Filed: Aug. 9, 1982

[52] U.S. Cl. D21/191

[58] Field of Search D21/191-197, D21/199; 273/93, 125, 134, 138, 139, 142, 143, 144, 145, 109; D6/3, 4, 5, 7, 64

[56] References Cited

U.S. PATENT DOCUMENTS

D. 251,321	3/1979	Barlew	D21/191
2,919,918	1/1960	Horn	272/144
3,077,347	2/1963	Nova	272/144

3,857,561	12/1974	Cecchetti et al.	272/144
3,879,033	4/1975	Martin	272/144

Primary Examiner—Charles A. Rademaker
Attorney, Agent, or Firm—George B. Oujevolk

[57] CLAIM

The ornamental design for a gymnastic platform, substantially as shown.

DESCRIPTION

FIG. 1 is a front elevational view of a gymnastic platform showing my new design;
FIG. 2 is a rear elevational view thereof;
FIG. 3 is a right side elevational view thereof;
FIG. 4 is a top plan view thereof;
FIG. 5 is a bottom plan view thereof; and,
FIG. 6 is a top perspective view thereof shown on a slightly reduced scale.

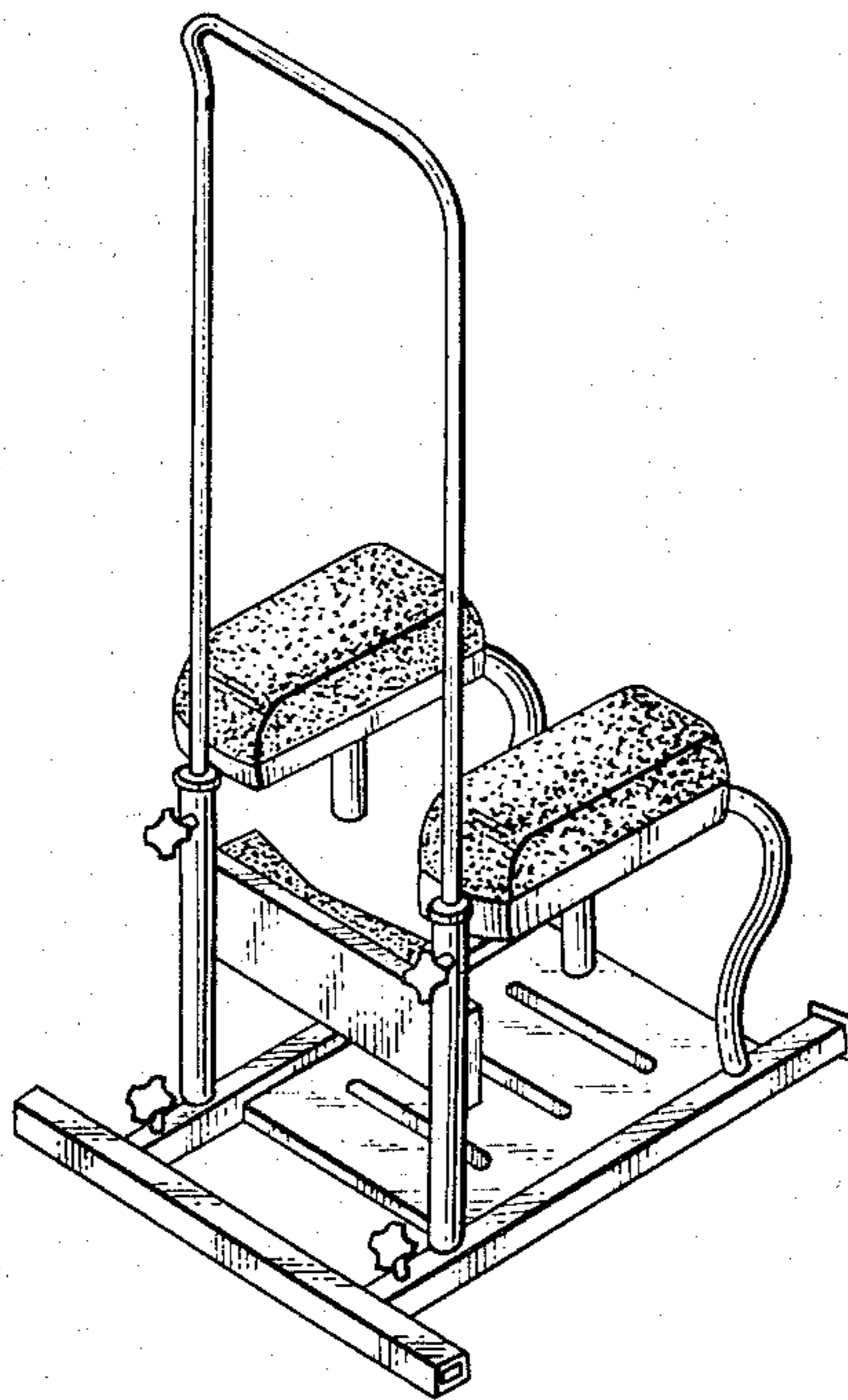


FIG. 1

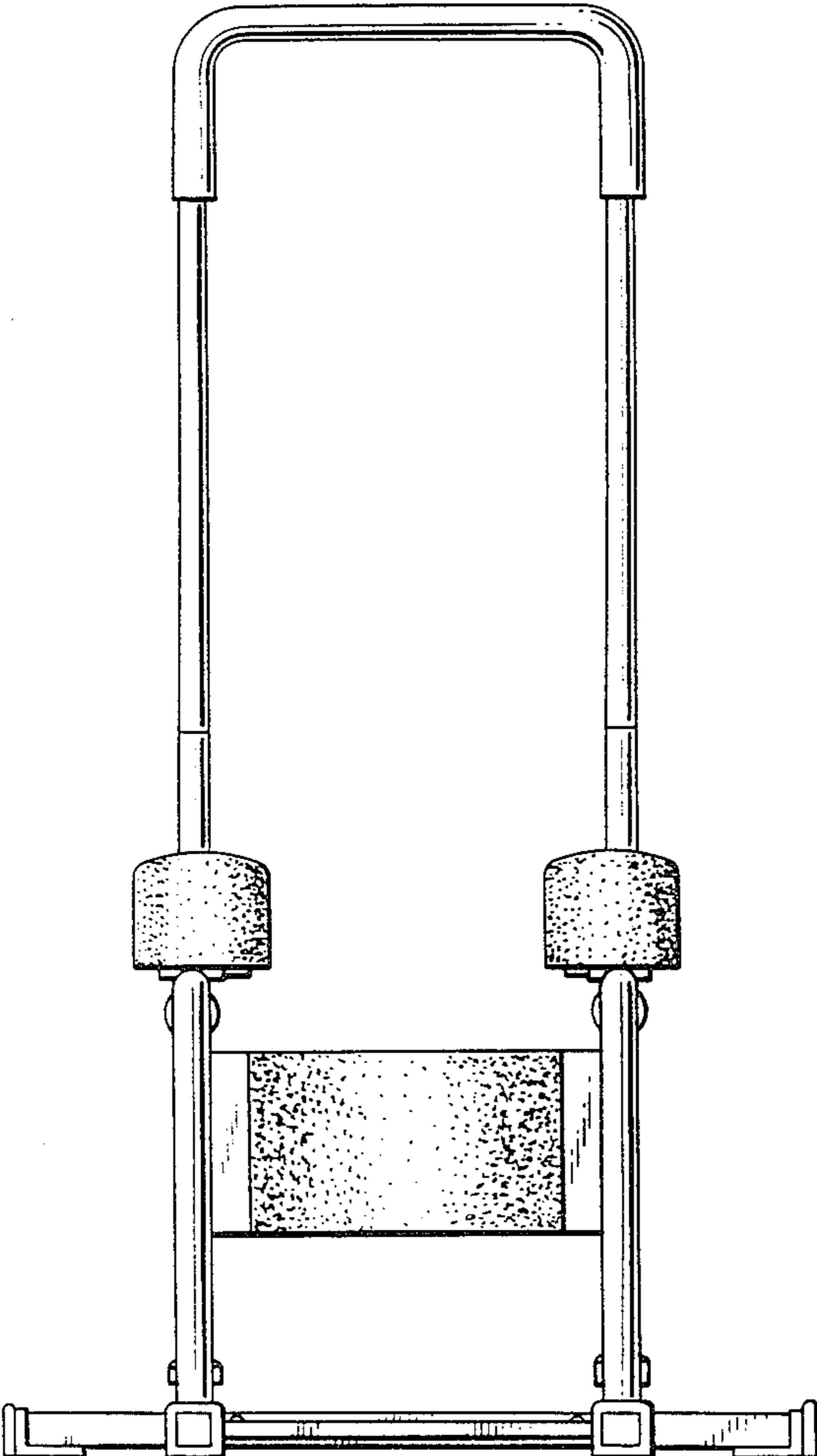


FIG. 2

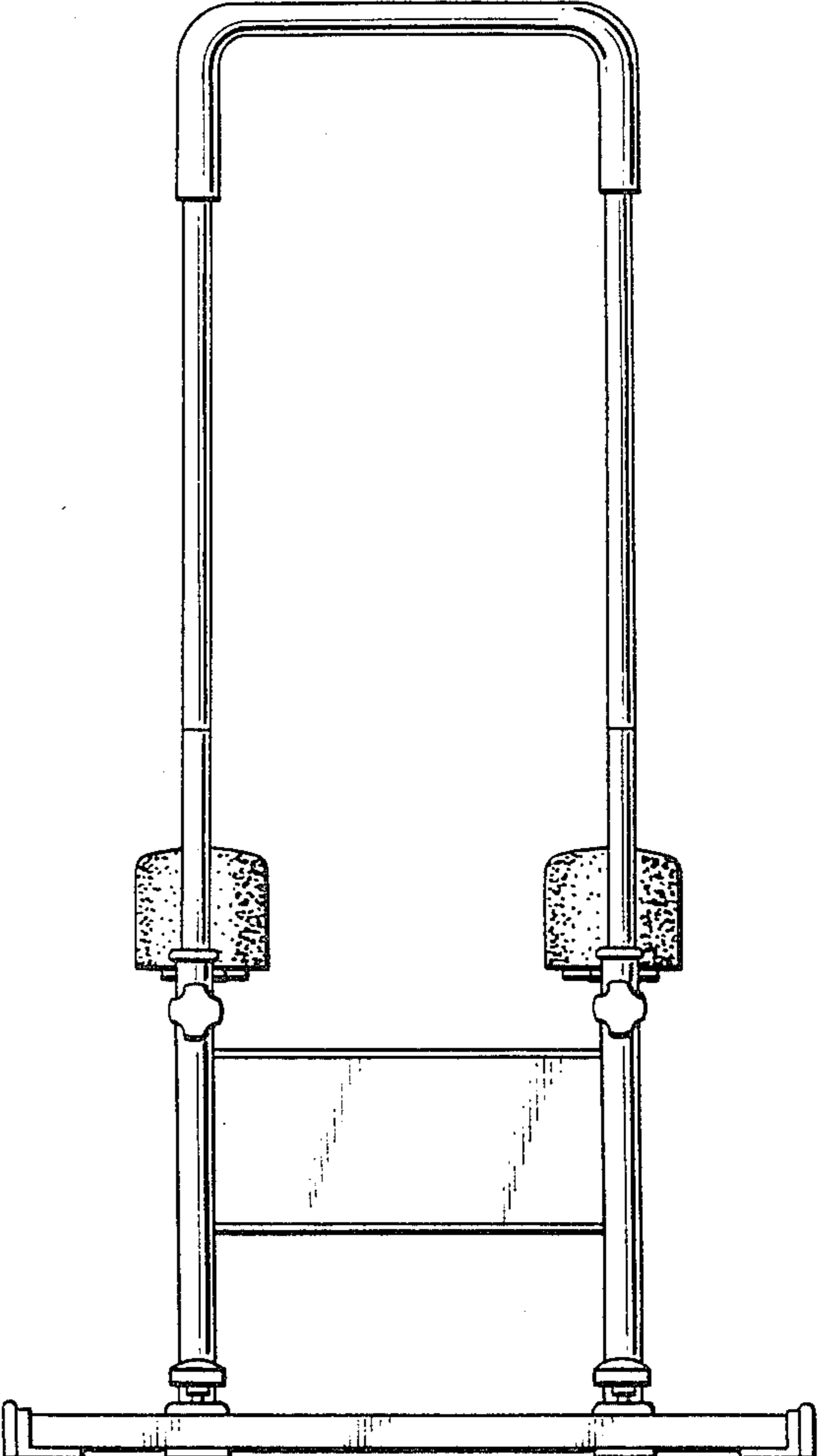


FIG. 3

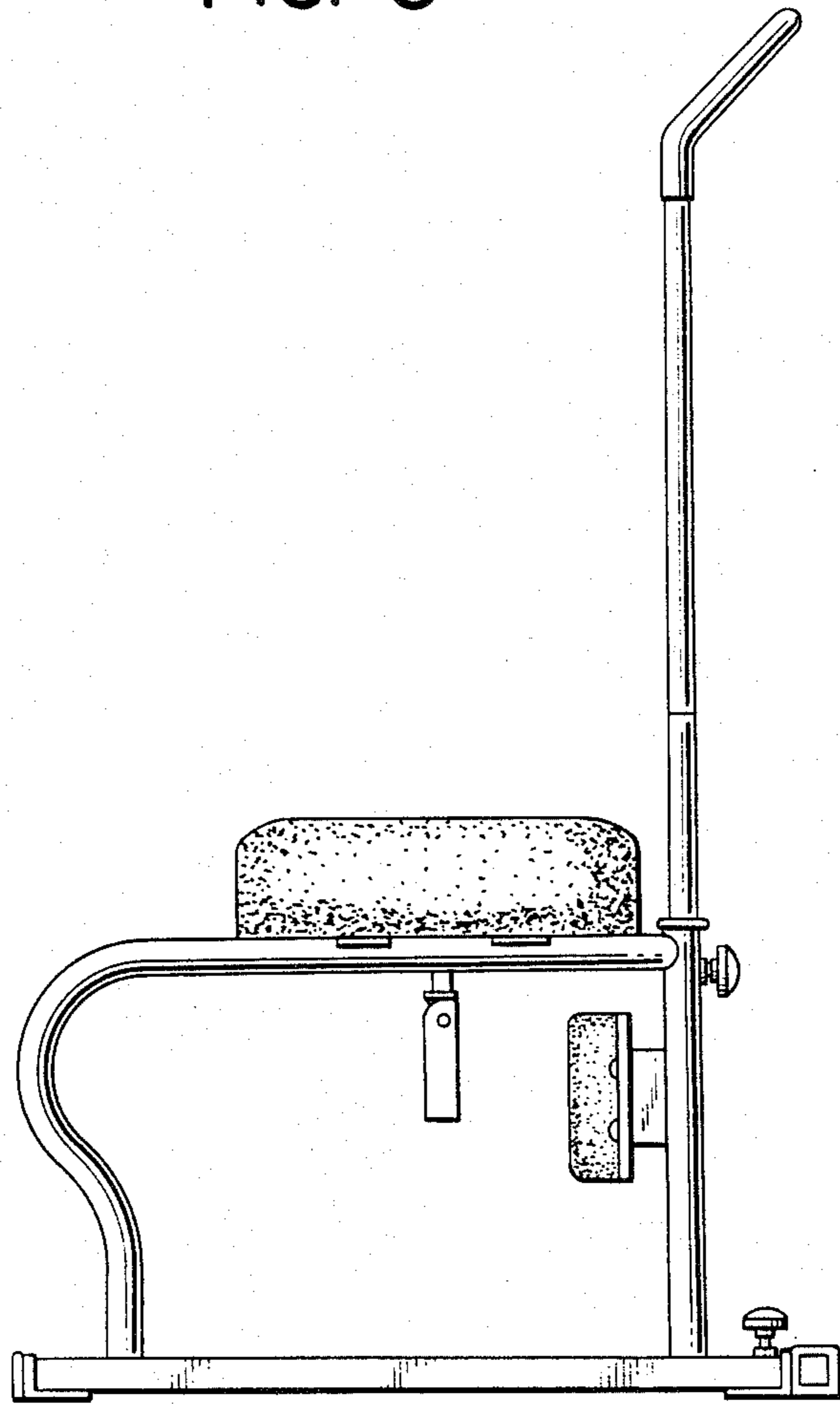


FIG. 4

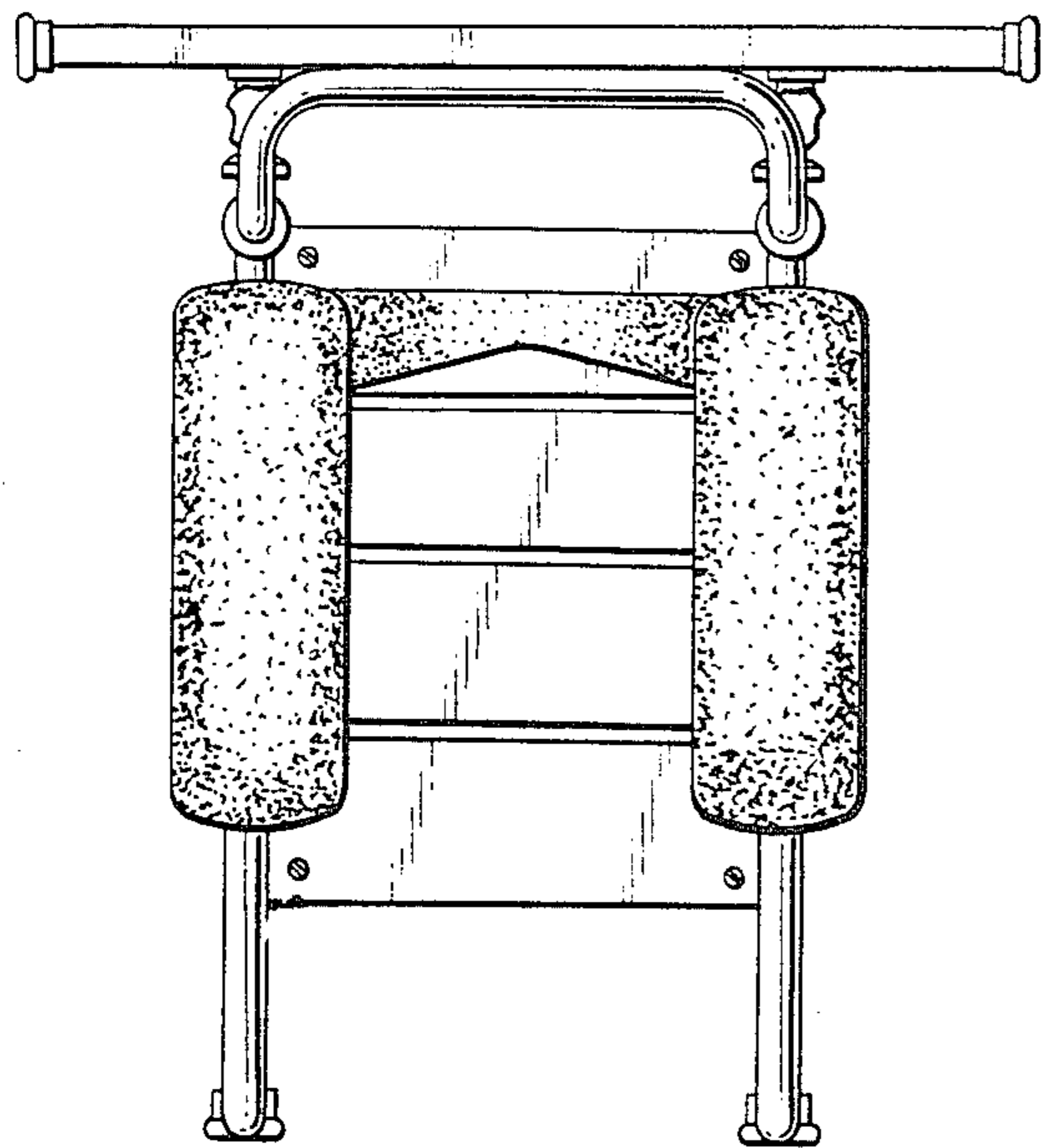


FIG. 5

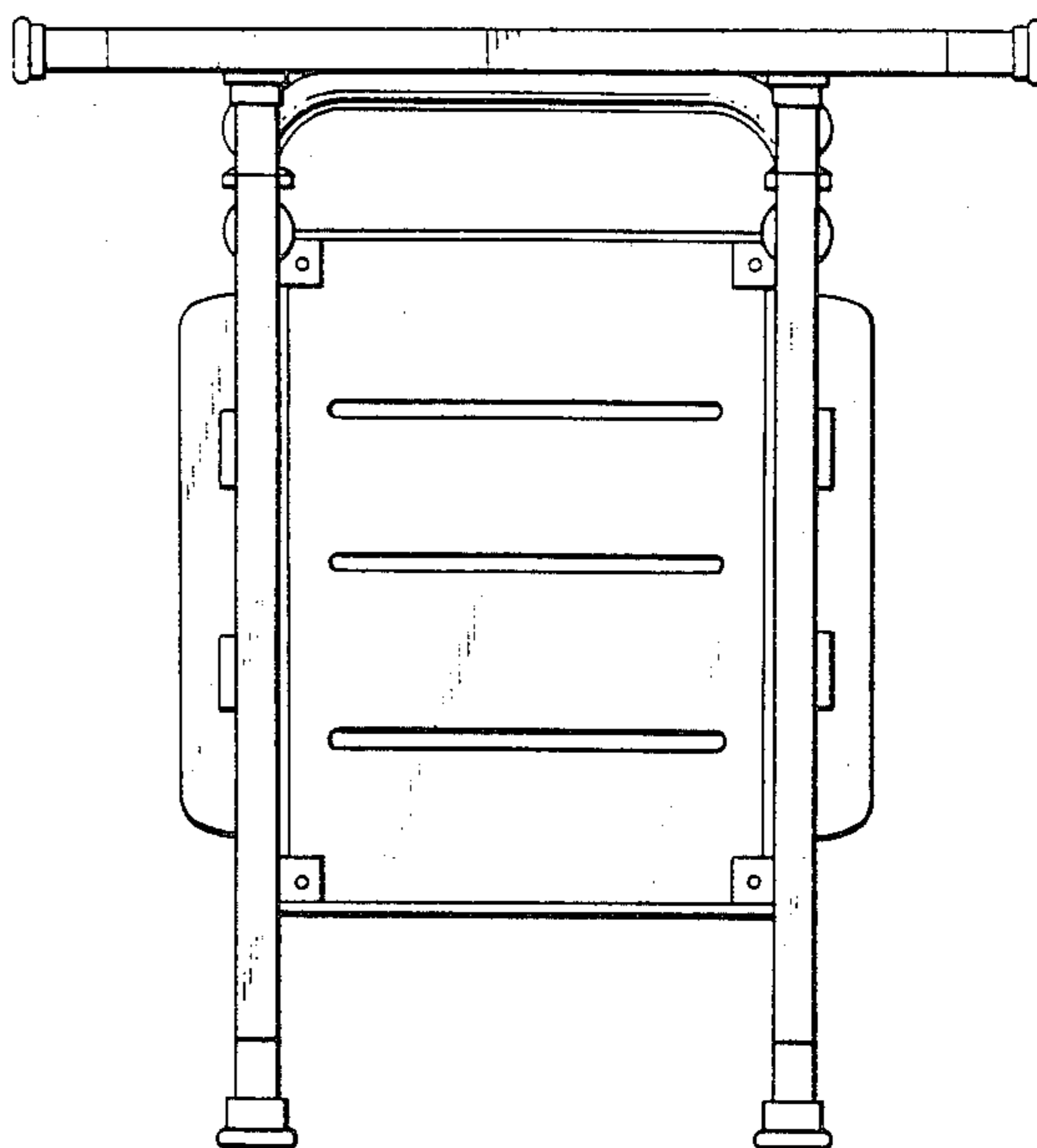


FIG. 6

