

[54] TOY VEHICLE

[75] Inventor: Joseph E. Johnston, San Rafael, Calif.

[73] Assignee: Lucasfilm Ltd., San Rafael, Calif.

[**] Term: 14 Years

[21] Appl. No.: 429,776

[22] Filed: Sep. 30, 1982

[52] U.S. Cl. D21/87

[58] Field of Search D21/82, 84, 85, 87, D21/88, 89, 90; 446/30, 31, 40, 41, 45, 61, 62, 68, 65, 66, 67; D12/320

[56] References Cited

U.S. PATENT DOCUMENTS

D. 268,773 4/1983 Rodis-Jamero D21/87

D. 274,165 6/1984 Duennes D21/87
D. 274,175 6/1984 Boudreaux D21/87

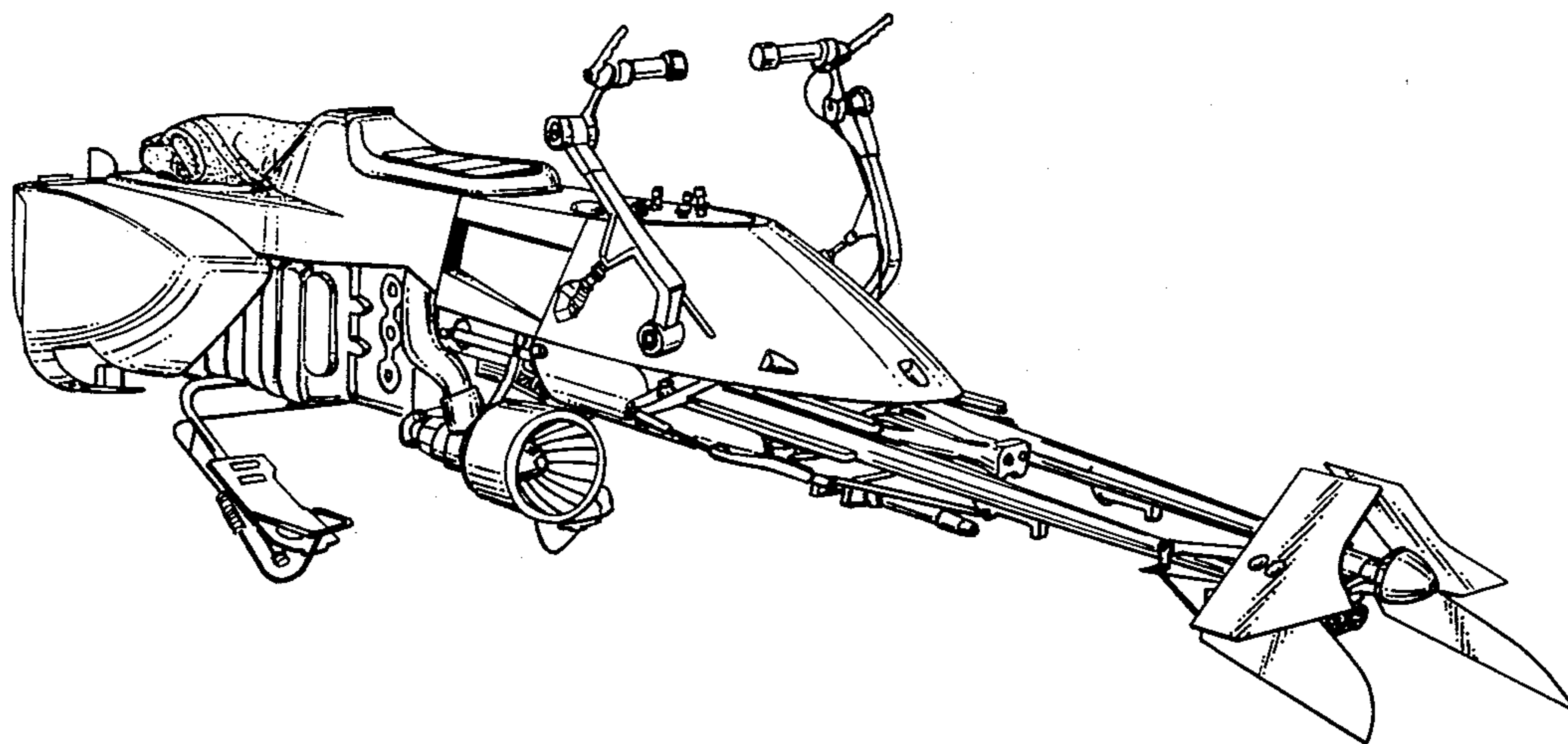
Primary Examiner—Charles A. Rademaker
Attorney, Agent, or Firm—Townsend & Townsend

[57] CLAIM

The ornamental design for the toy vehicle, as shown and described.

DESCRIPTION

FIG. 1 is a side perspective view of a toy vehicle showing my new design;
FIG. 2 is a top perspective view thereof;
FIG. 3 is a front perspective view thereof;
FIG. 4 is a left side perspective view thereof, the side opposite being a mirror image;
FIG. 5 is a rear perspective view thereof; and,
FIG. 6 is a bottom perspective view thereof.



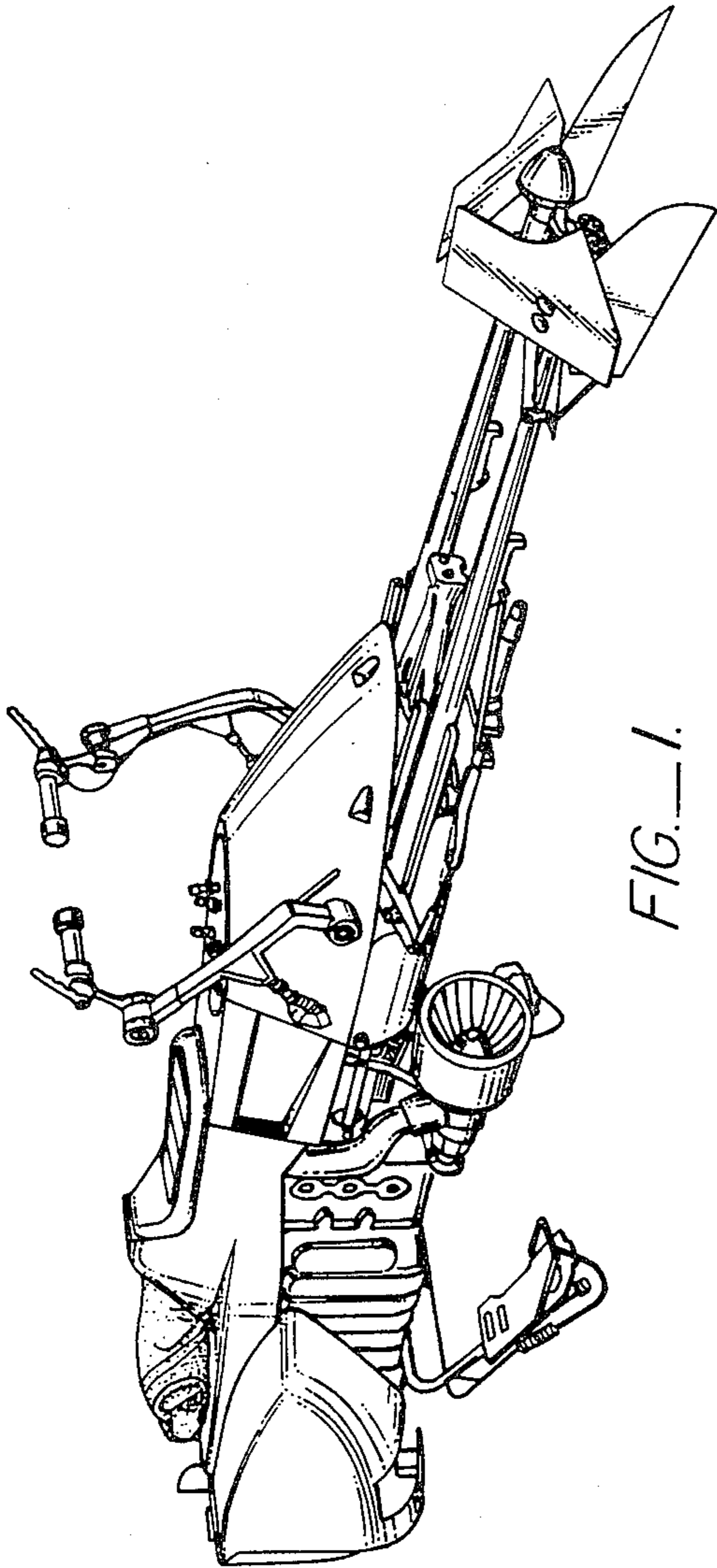


FIG.—1.

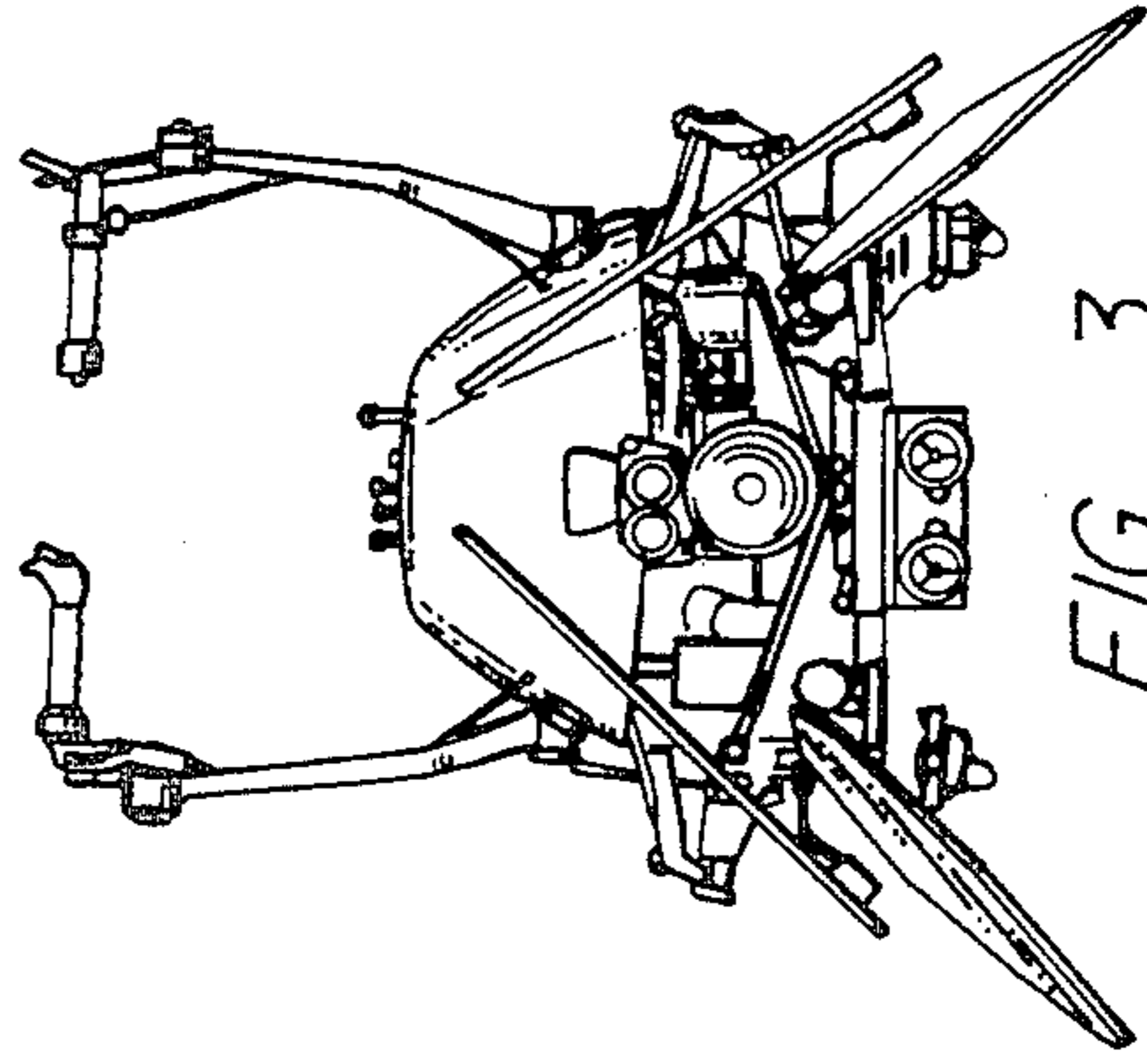


FIG.—3.

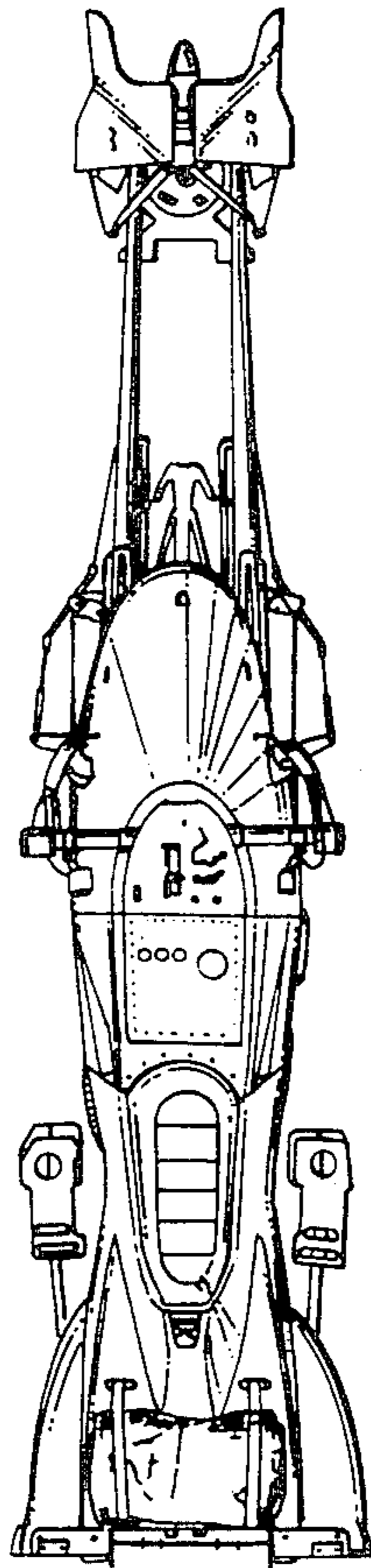


FIG.—2.

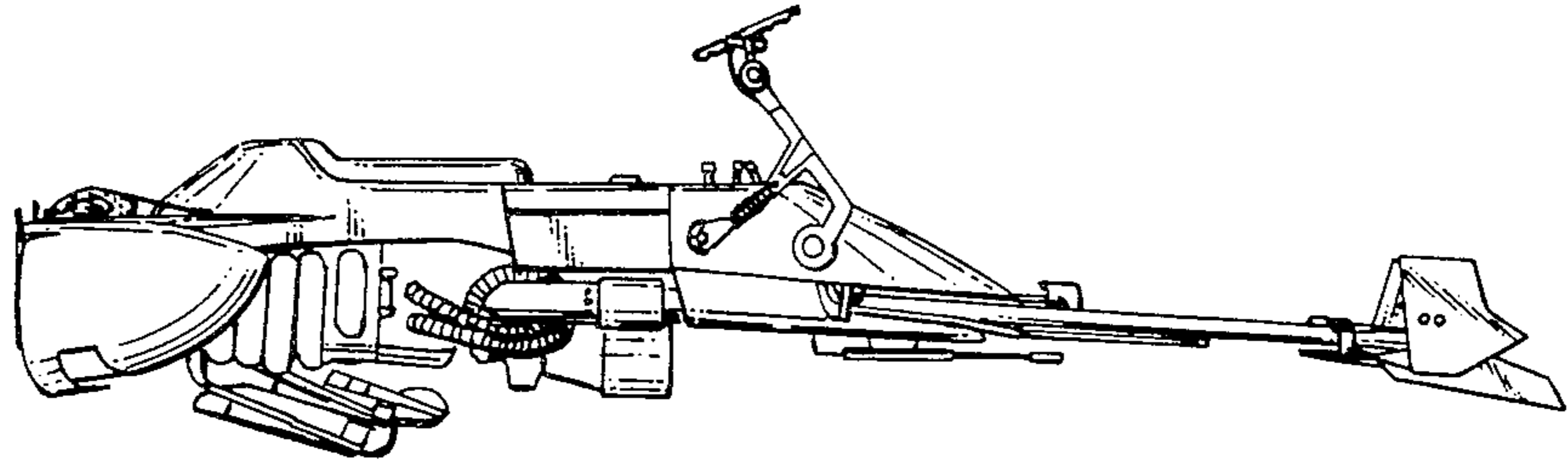


FIG. 4.

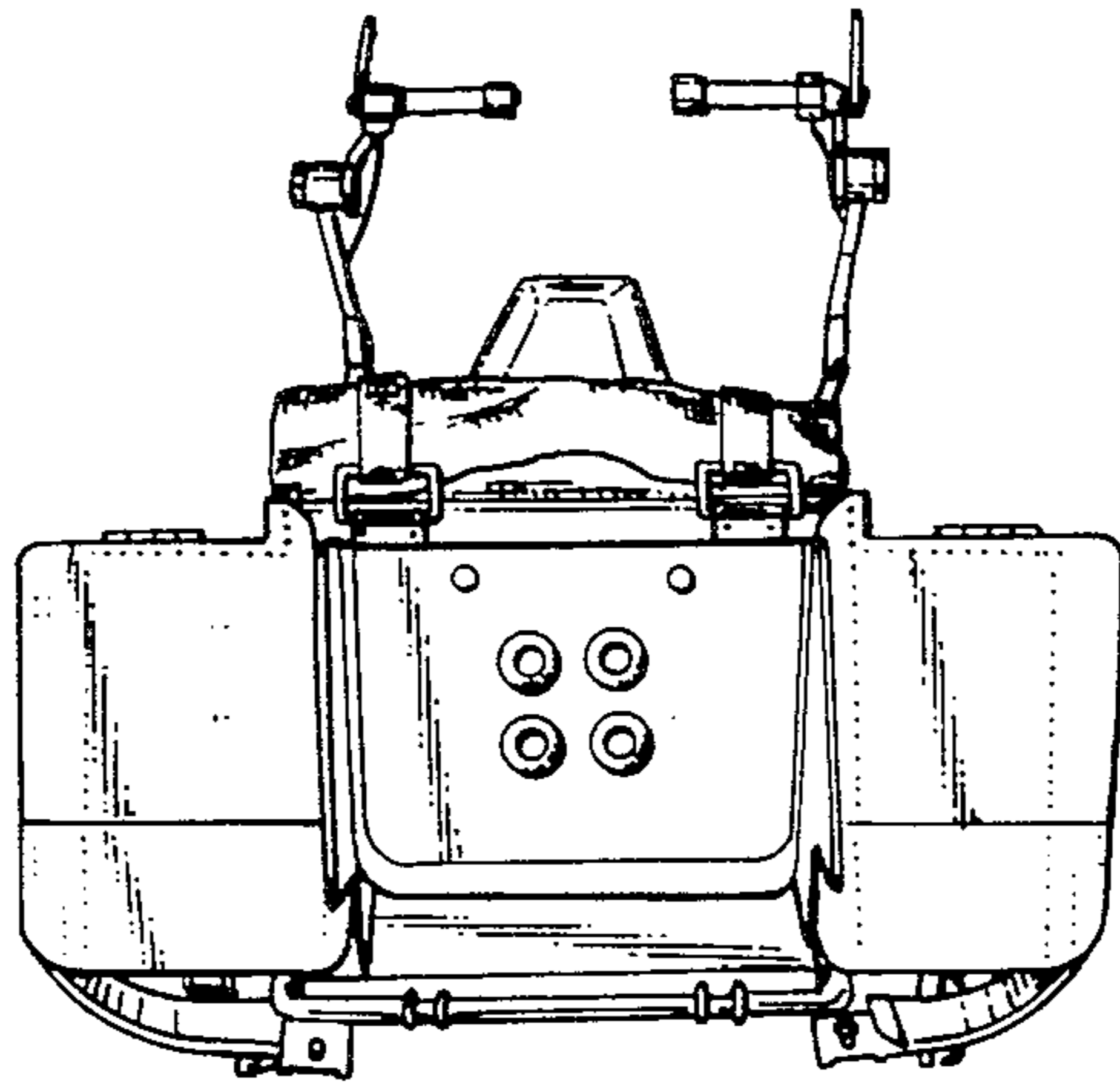


FIG. 5.

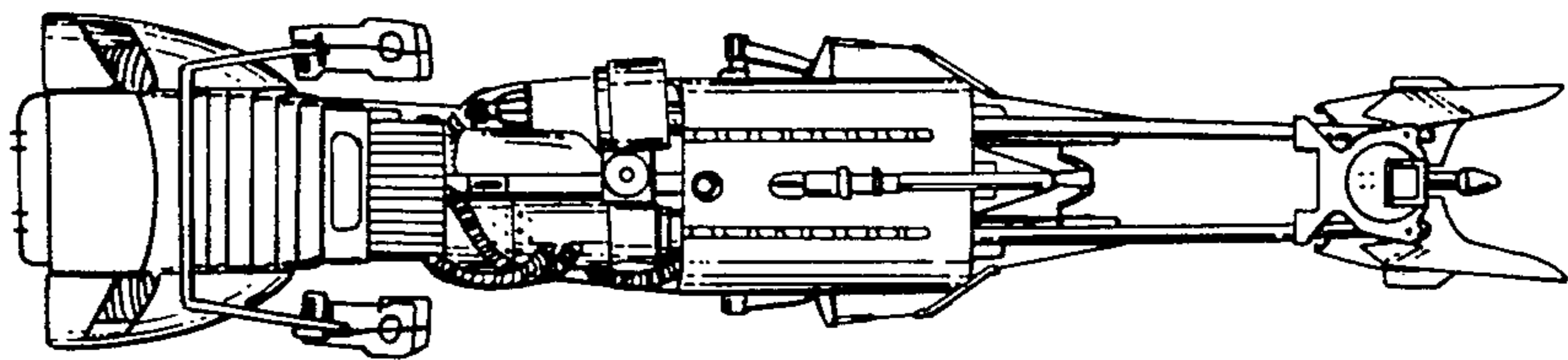


FIG. 6.