

[54] **PEN**
[75] **Inventor: Jerome P. Salinger, Roslyn Estates, N.Y.**
[73] **Assignee: Jonathan Bradley Pens, Inc., Long Island City, N.Y.**
[**] **Term: 14 Years**
[21] **Appl. No.: 432,543**
[22] **Filed: Sep. 30, 1982**
[52] **U.S. Cl. D19/42; D19/46**
[58] **Field of Search D19/35, 36, 41-51, D19/56, 57; D11/56, 103; D7/42**

D. 266,007 8/1982 Salinger D19/42

OTHER PUBLICATIONS

Gift & Art Buyer p. 72, 12/41 Heart Shaped Driveway Marker, left center.

Primary Examiner—George P. Word
Attorney, Agent, or Firm—Salter & Michaelson

[57] **CLAIM**

The ornamental design for a pen, substantially as shown.

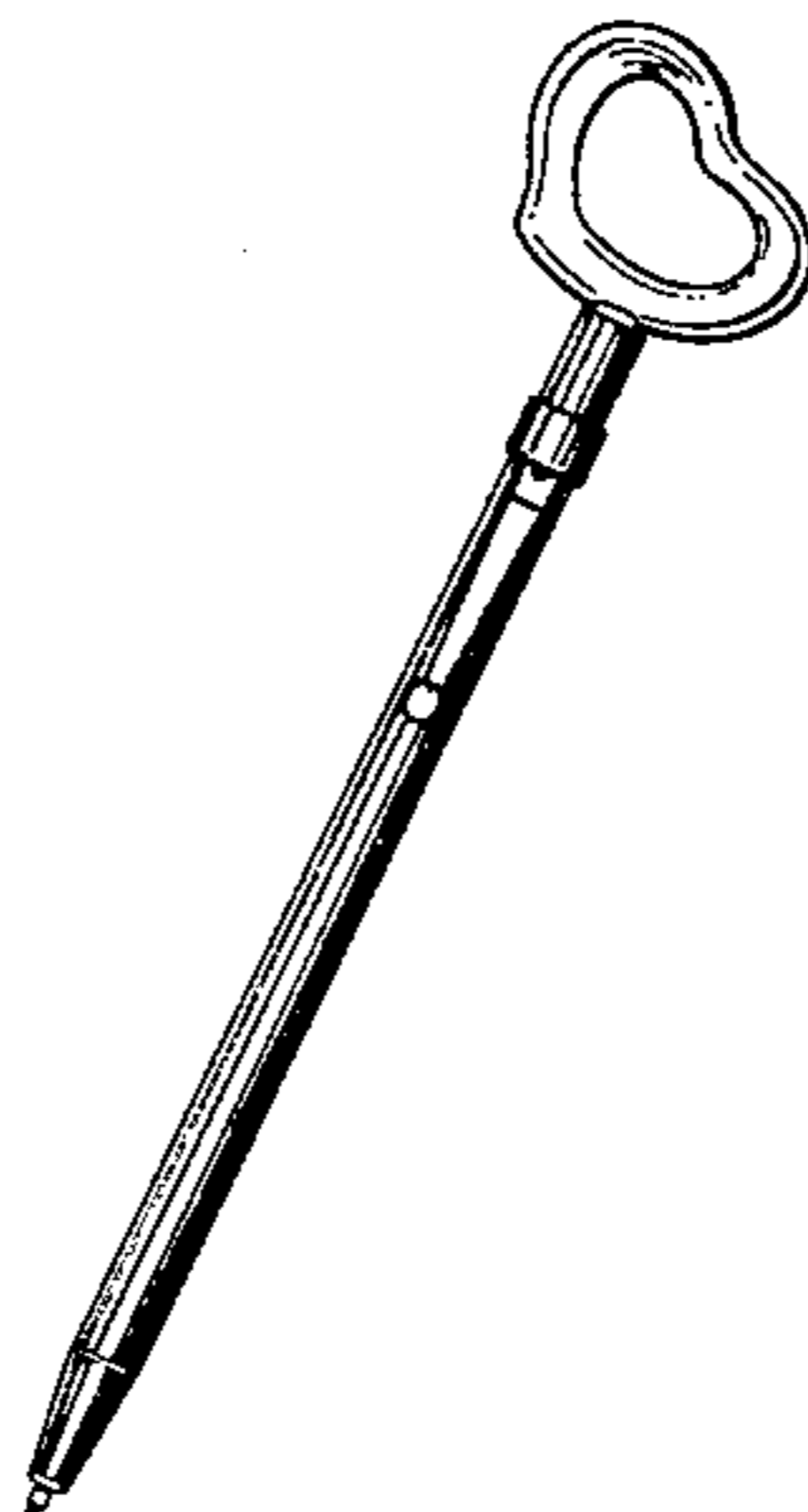
DESCRIPTION

FIG. 1 is a front elevational view of a pen showing my new design;
FIG. 2 is a right side elevational view thereof;
FIG. 3 is a rear elevational view thereof;
FIG. 4 is a left side elevational view thereof;
FIG. 5 is a top plan view thereof; and
FIG. 6 is a bottom plan view thereof.
The clip has been omitted from FIGS. 5 and 6 for convenience of illustration.

[56] **References Cited**

U.S. PATENT DOCUMENTS

| | | | |
|------------|---------|----------------|--------|
| D. 72,303 | 3/1927 | Solinger | D19/42 |
| D. 146,896 | 6/1947 | Campbell | D11/56 |
| D. 222,306 | 10/1971 | Fever | D19/42 |
| D. 249,192 | 8/1978 | Boecher | D11/56 |



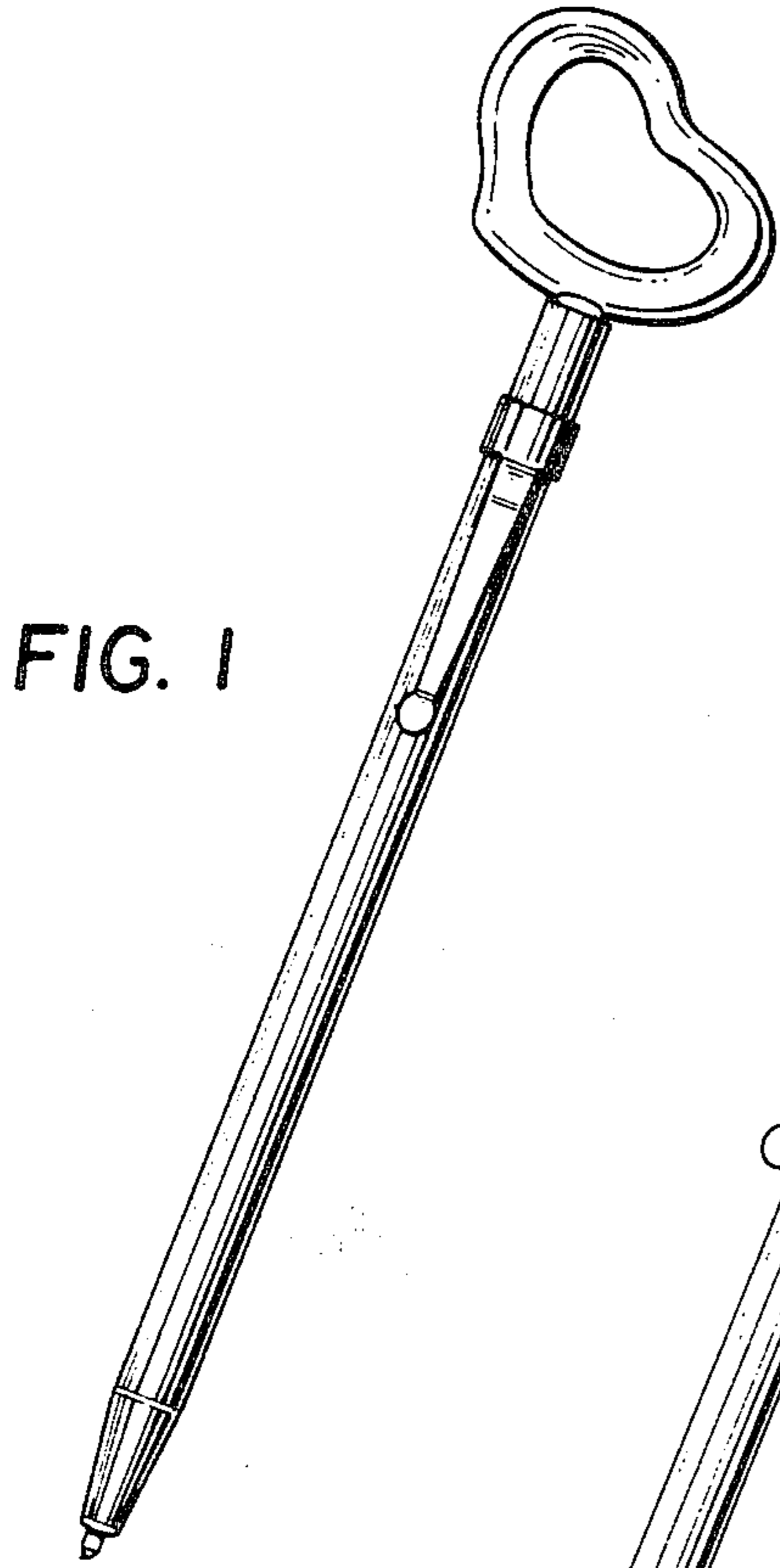


FIG. 2

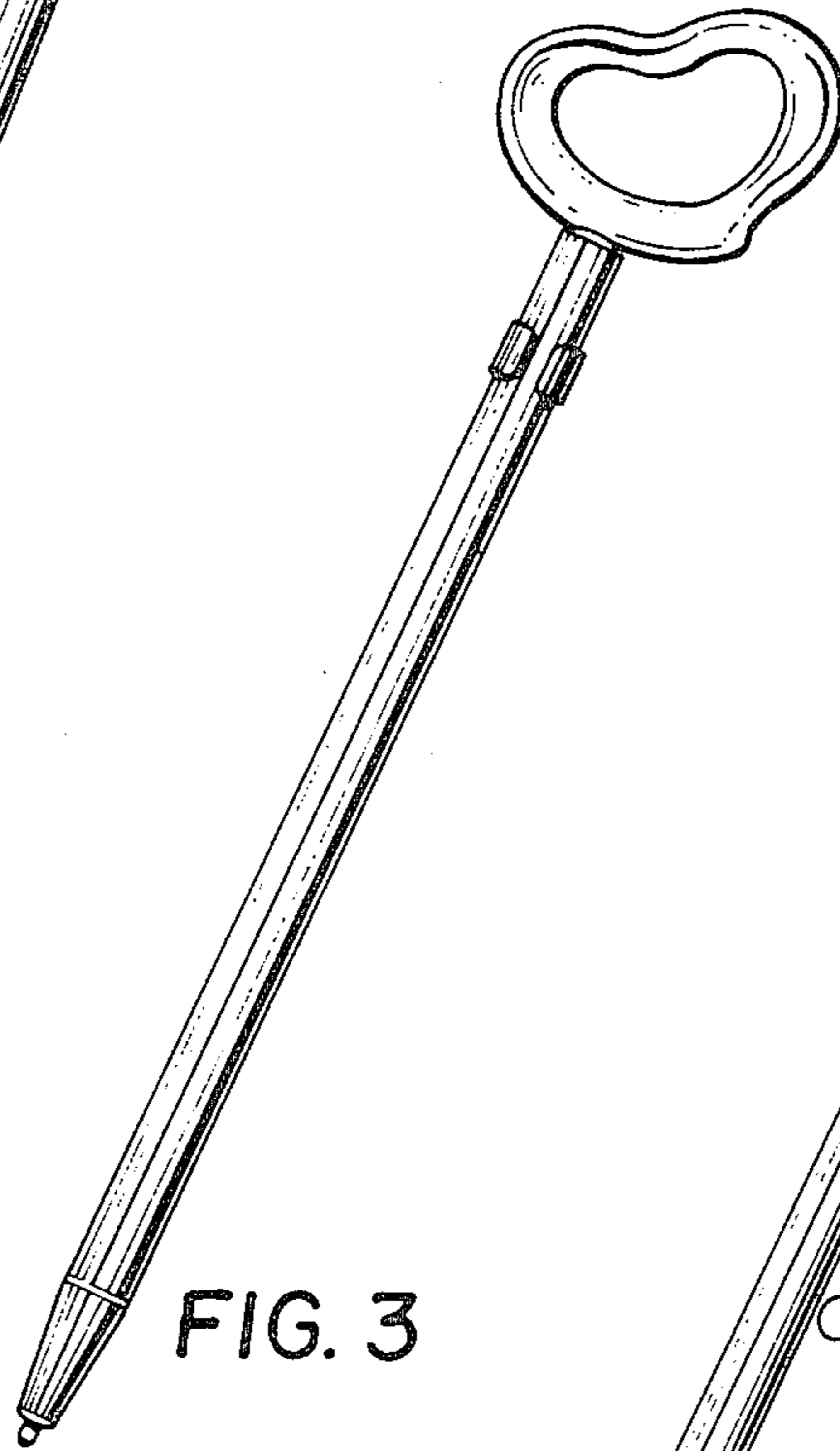
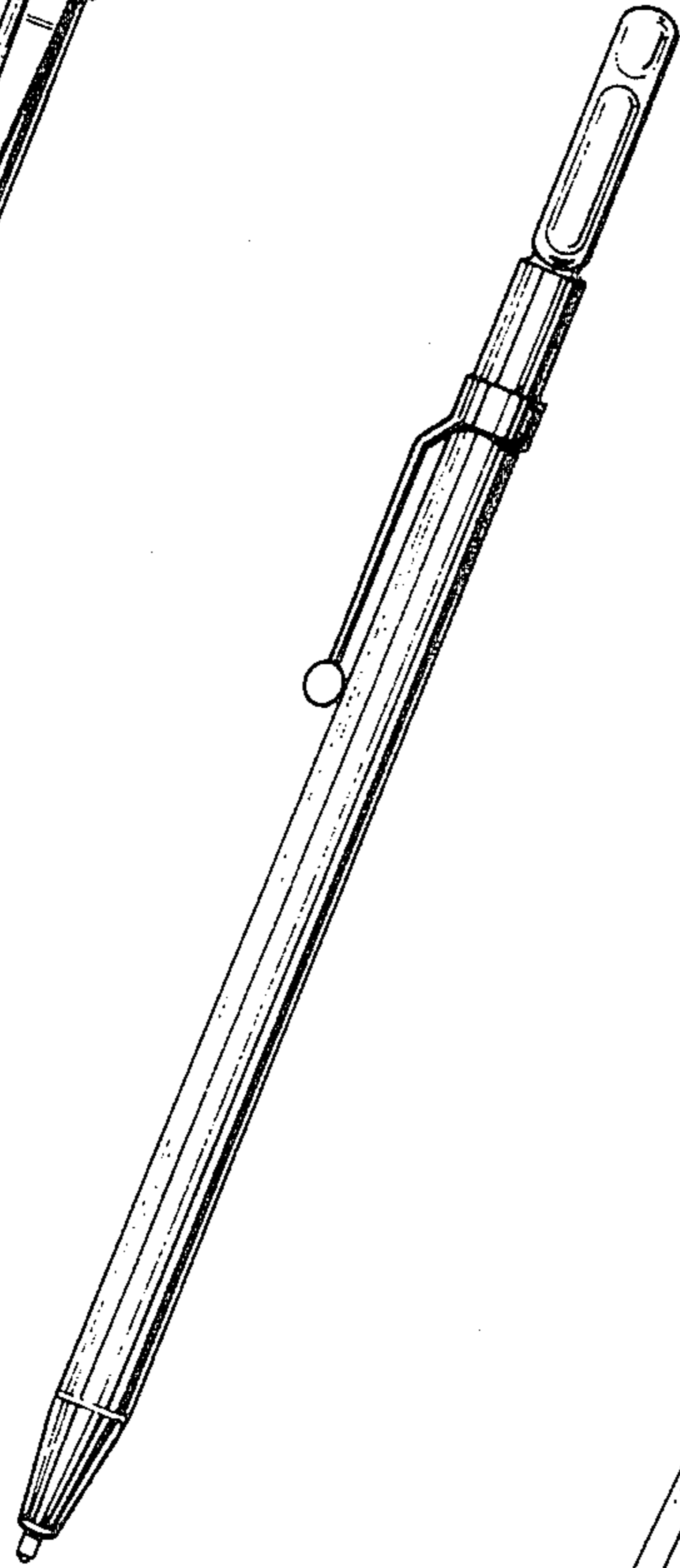


FIG. 3

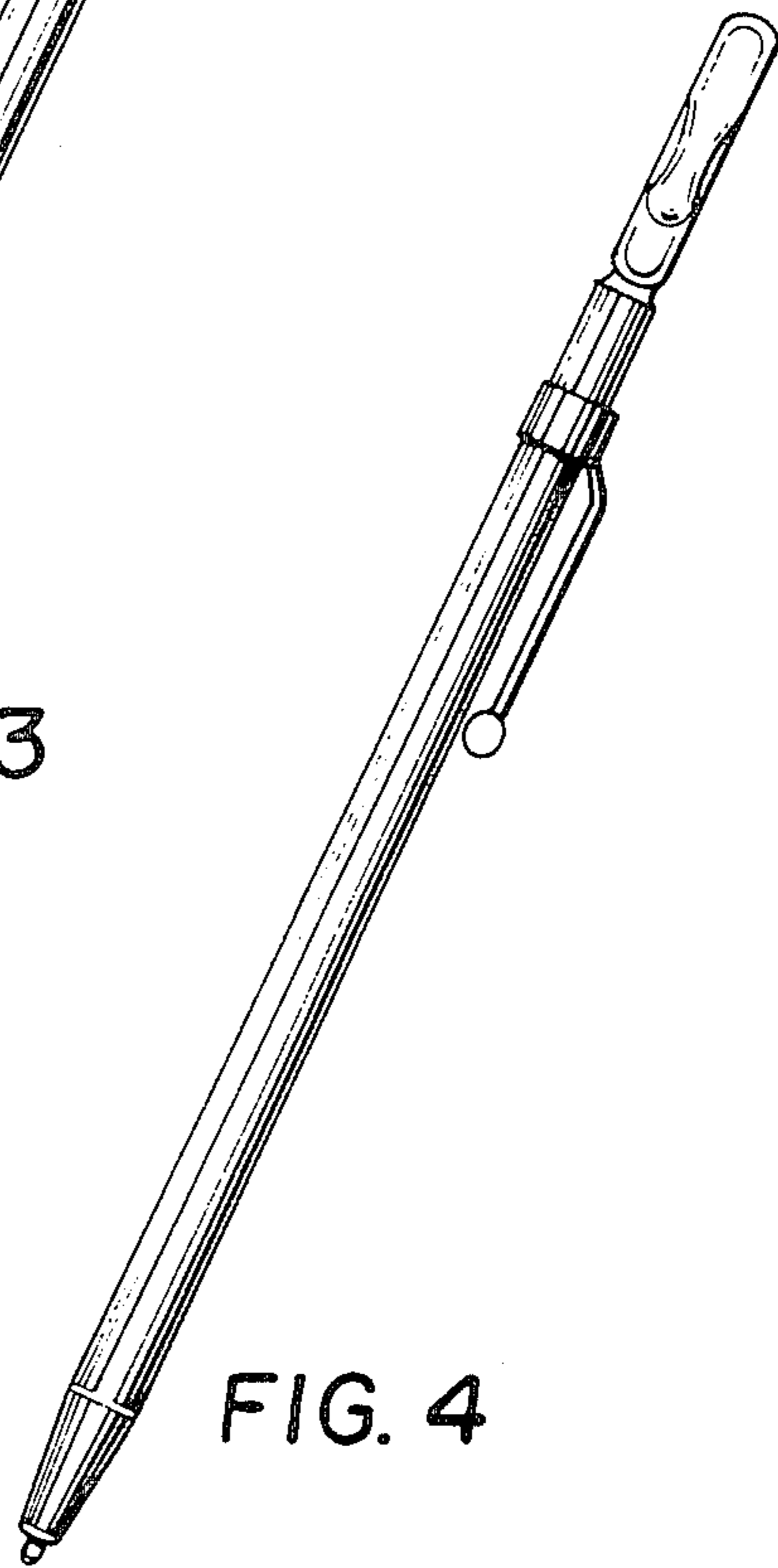


FIG. 4



FIG. 5



FIG. 6