

[54] PAN HEAD MOUNTING ASSEMBLY FOR TRIPOD

[75] Inventor: Koma Nakatani, Tokyo, Japan

[73] Assignee: Velbon Int'l Corporation, Torrance, Calif.

[\*\*] Term: 14 Years

[21] Appl. No.: 435,999

[22] Filed: Oct. 22, 1982

[52] U.S. Cl. .... D16/46

[58] Field of Search ..... D16/45, 44, 46; 248/168, 169, 170, 171, 178, 177, 183, 186; 354/82, 293-295

[56] References Cited

U.S. PATENT DOCUMENTS

D. 263,147	2/1982	Iwasaki	.....	D16/45
1,120,843	12/1914	Palumbus	.....	248/186
1,259,126	3/1918	Packes	.....	248/186
1,386,664	8/1921	Vaeth	.....	248/186
2,214,192	9/1940	Burnett	.....	248/186
2,297,927	10/1942	Whitman	.....	248/186 X
2,384,790	9/1945	Bulsey	.....	248/186 X
2,681,784	6/1954	Odin	.....	248/186
2,717,138	9/1955	Sheehan	.....	248/183

FOREIGN PATENT DOCUMENTS

527724 10/1921 France ..... 248/186

OTHER PUBLICATIONS

Industrial Design-6/55-p. 92-Tripod Head at bottom. British Journal of Photography-1/71-p. 15-Tripod at bottom.

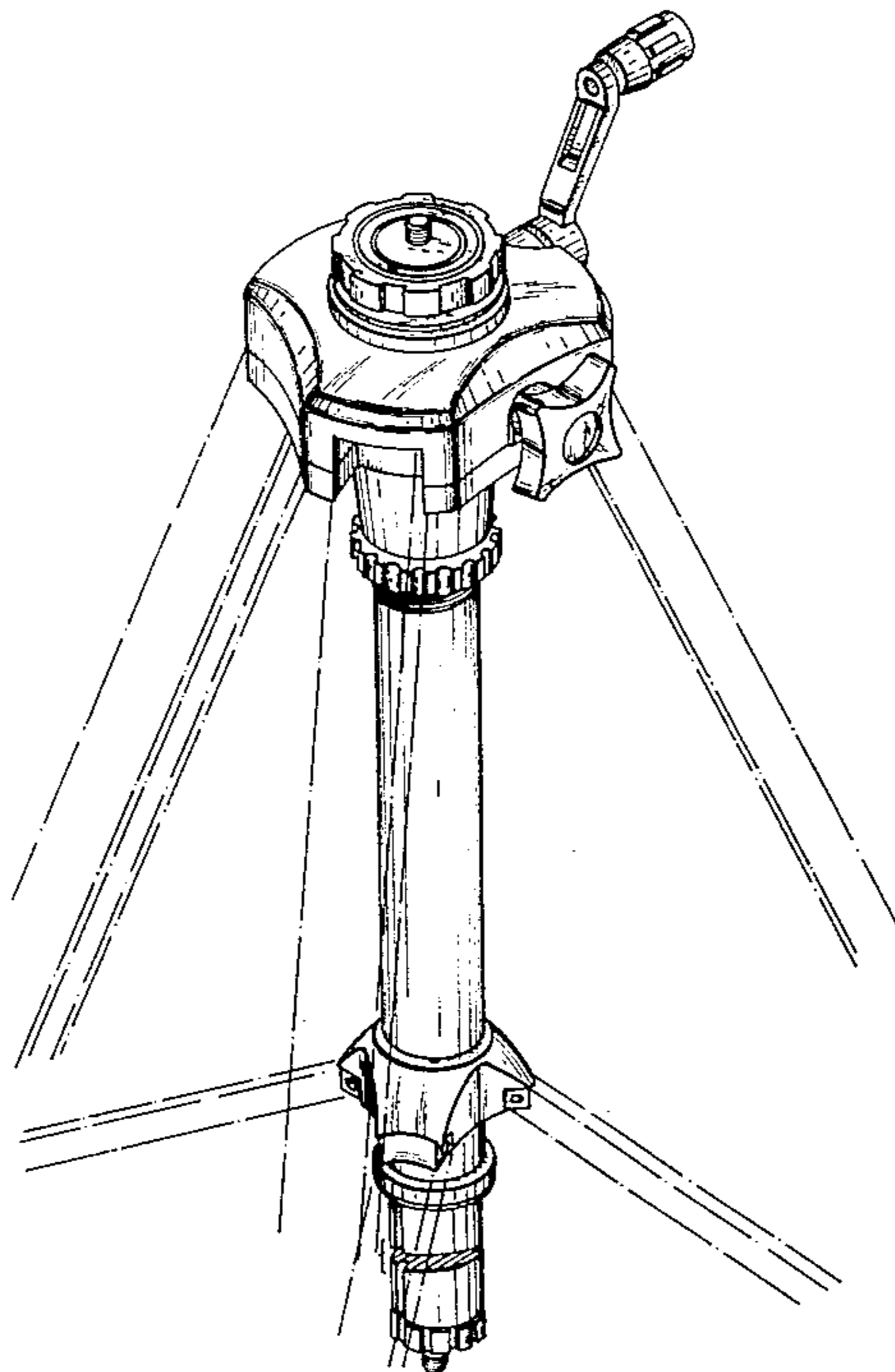
Primary Examiner—Nelson C. Holtje  
Attorney, Agent, or Firm—Beehler, Pavitt, Siegemund, Jagger & Martella

[57] CLAIM

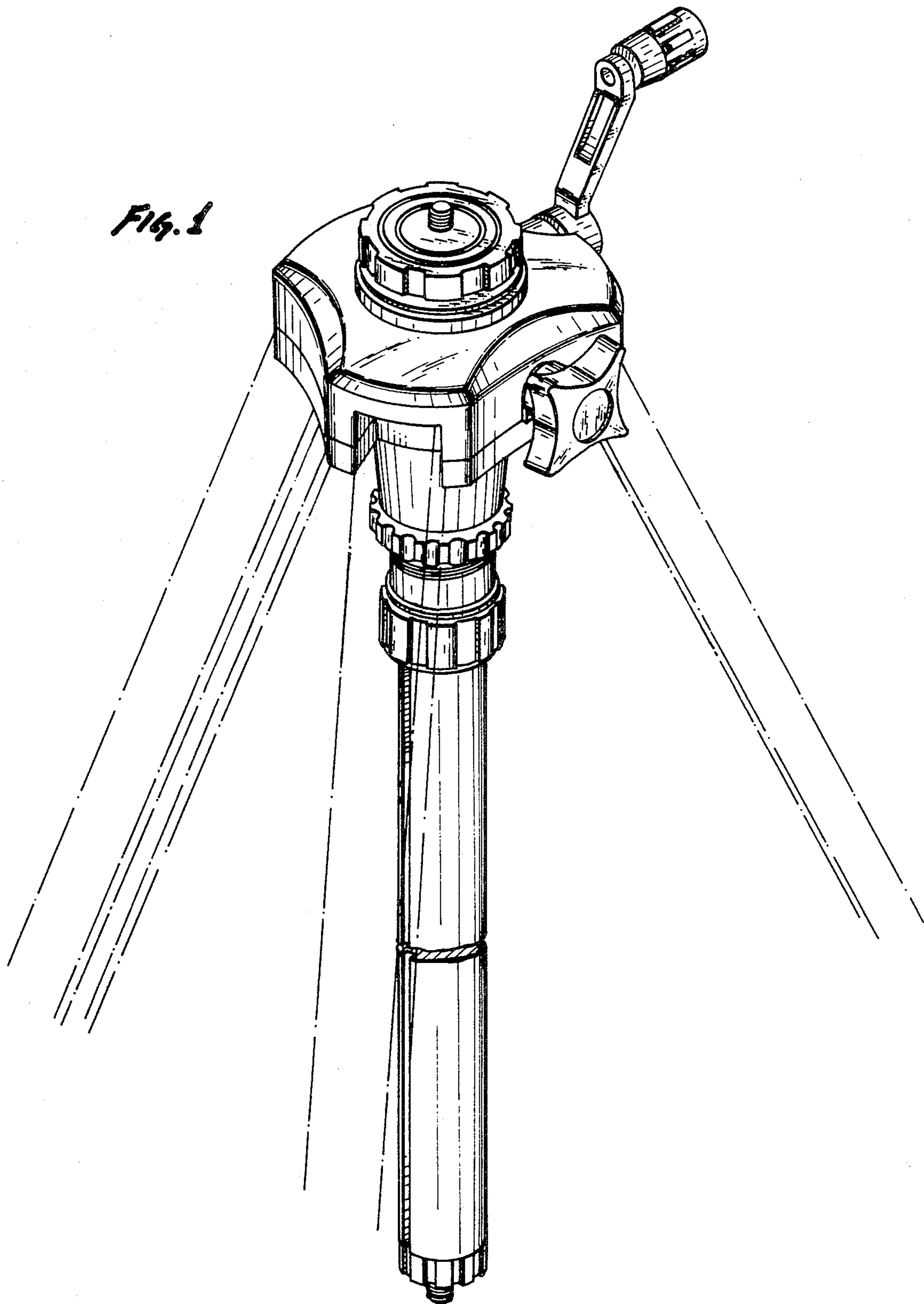
The ornamental design for a pan head mounting assembly for tripod, substantially as shown and described.

DESCRIPTION

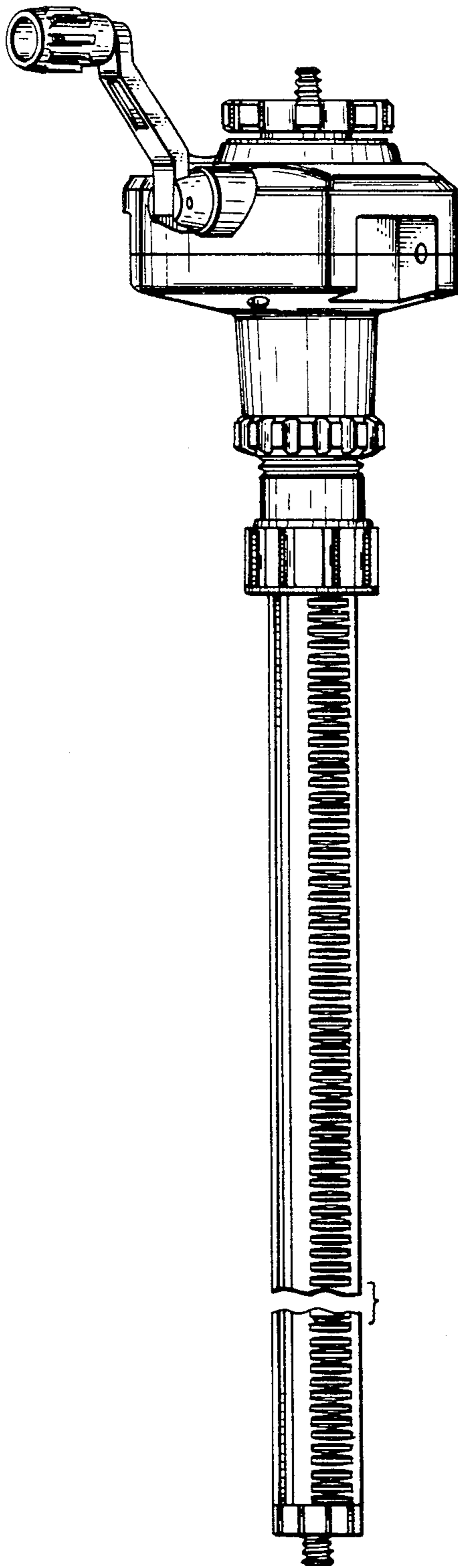
FIG. 1 is a front perspective view of a pan head mounting assembly for tripod showing my new design, the broken line showings of the tripod legs are environmental only and form no part of the claimed design; FIG. 2 is a rear perspective view thereof; FIG. 3 is a top plan view thereof; FIG. 4 is a bottom plan view thereof; FIG. 5 is a front perspective view of another embodiment of my new design of FIGS. 1-4, the broken line showings of the tripod legs and connector legs are environmental only and form no part of the claimed design; FIG. 6 is a rear perspective view of FIG. 5; FIG. 7 is a bottom plan view of FIG. 5.



*Fig. 1*



*FIG. 2*



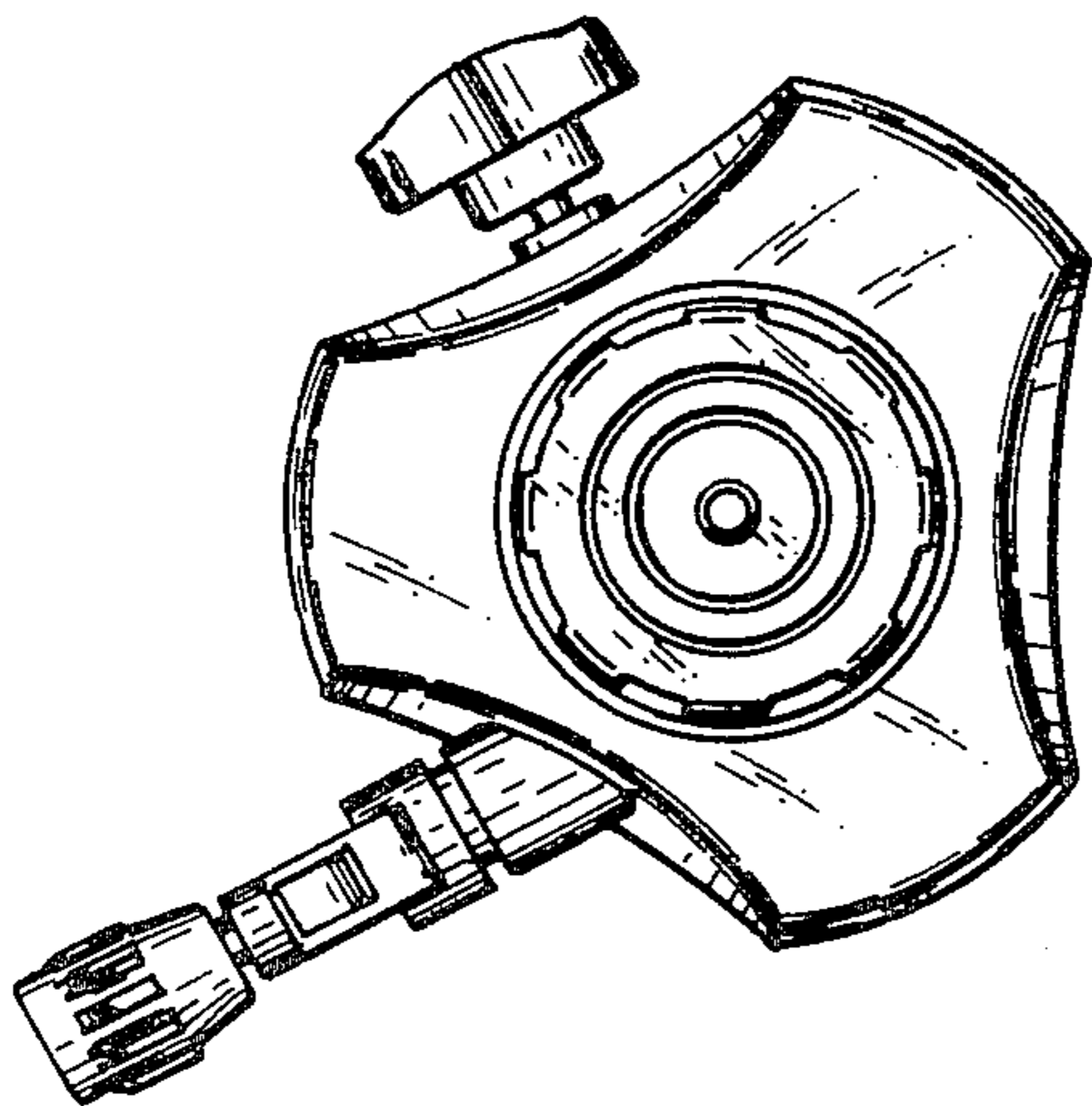


FIG. 3

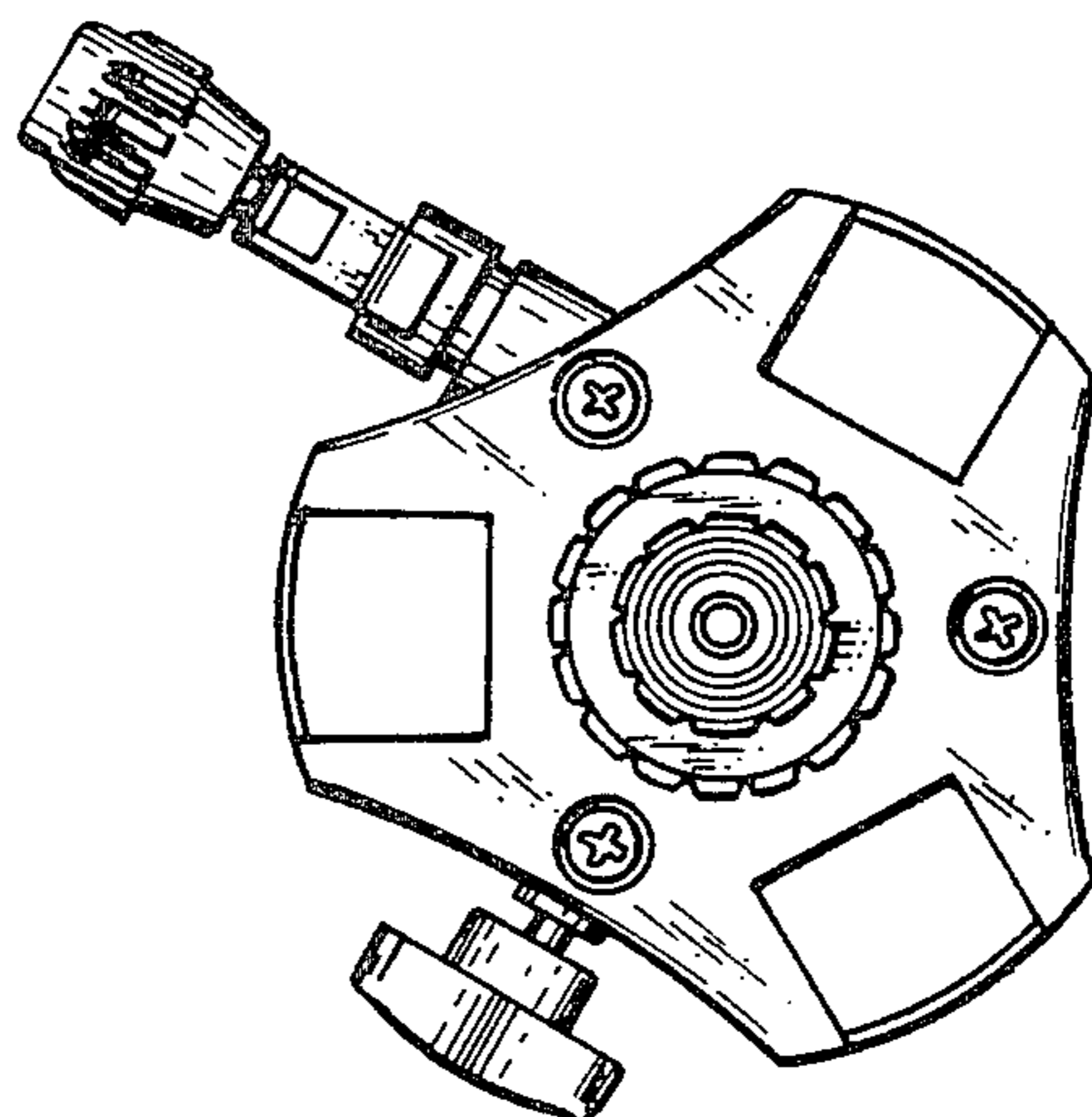


FIG. 4

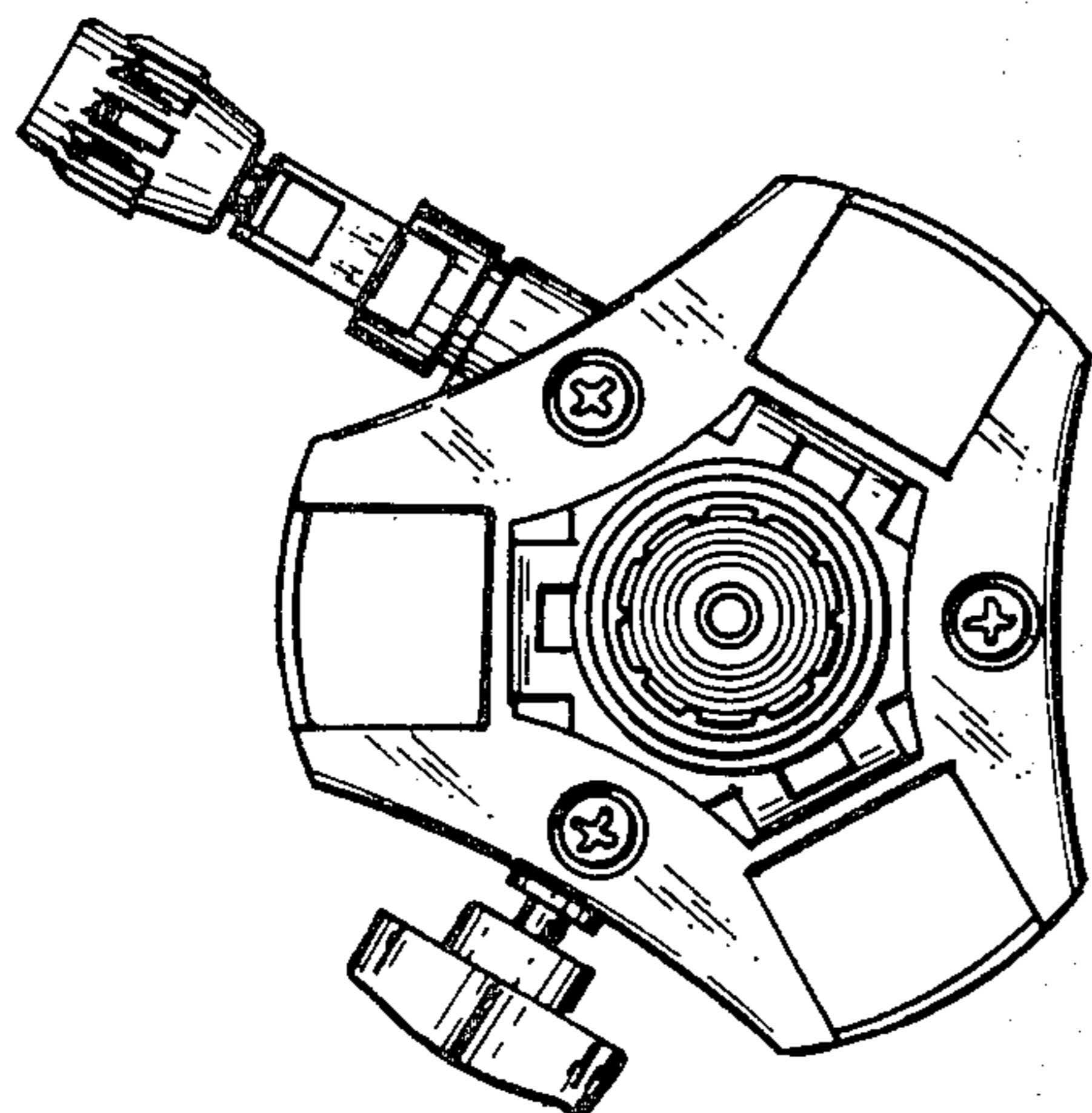
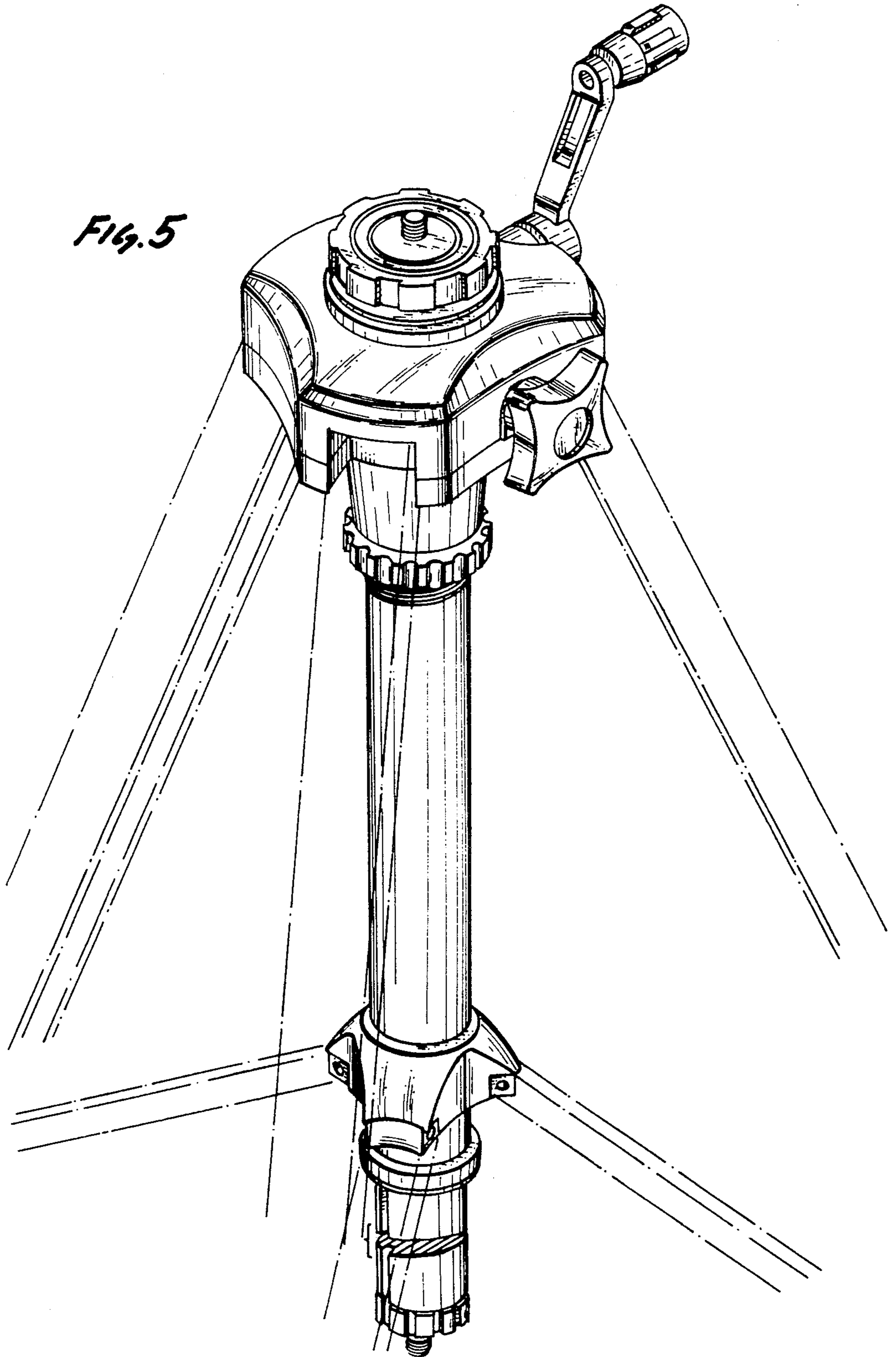


FIG. 7



*Fig. 5*



*Fig. 6*

