

[54] HEAT SEALING MACHINE

[75] Inventor: Teruo Yamada, Suita, Japan

[73] Assignee: Yugen Kaisha Fuji Seisakusho, Japan

[**] Term: 14 Years

[21] Appl. No.: 450,679

[22] Filed: Dec. 17, 1982

[30] Foreign Application Priority Data

Jun. 18, 1982 [JP] Japan 57-27604

[52] U.S. Cl. D15/146

[58] Field of Search D15/145, 146;
156/583.2, 583.8, 583.9

[56] References Cited

U.S. PATENT DOCUMENTS

- D. 198,473 6/1964 Duke D15/146
- D. 248,399 7/1978 Dobson et al. D15/146

| | | | | |
|------------|--------|----------|-------|-----------|
| D. 253,894 | 1/1980 | Lombardi | | D15/146 |
| 3,149,015 | 9/1964 | Lindsay | | 156/583.9 |
| 3,496,049 | 2/1970 | Anderson | | 156/583.2 |
| 4,021,290 | 5/1977 | Smith | | 156/583.9 |

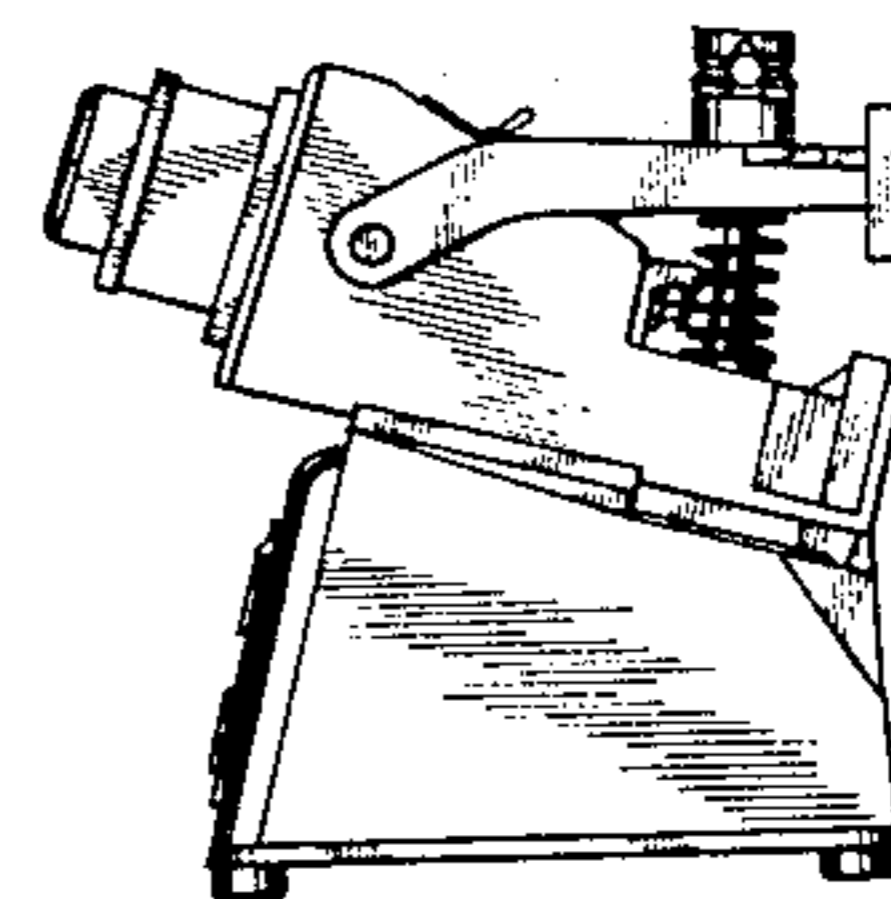
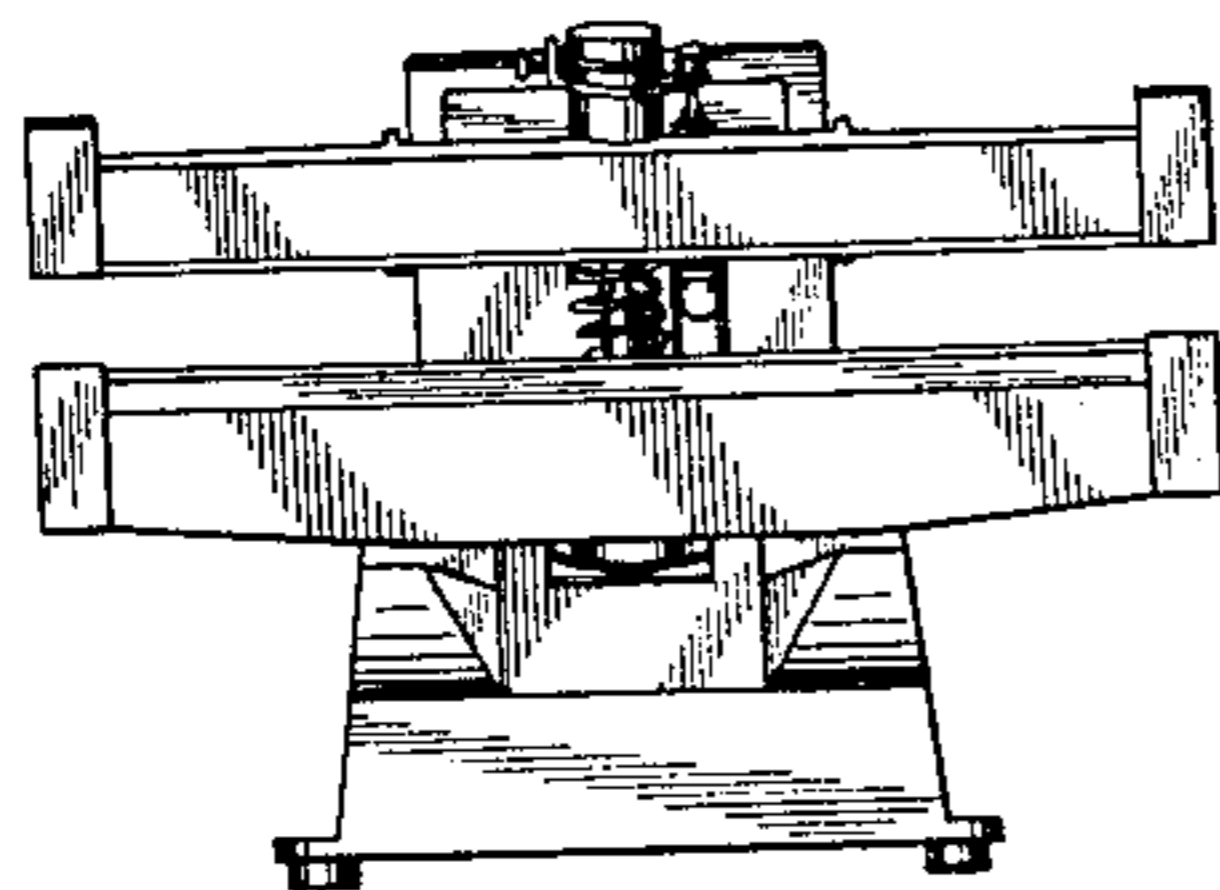
Primary Examiner—B. J. Bullock
Attorney, Agent, or Firm—Hauke and Patalidis

[57] CLAIM

The ornamental design for a heat sealing machine, as shown and described.

DESCRIPTION

FIG. 1 is a front elevational view of the heat sealing machine showing my new design;
 FIG. 2 is a side elevational view taken from the left of FIG. 1;
 FIG. 3 is a side elevational view taken from the right of FIG. 1;
 FIG. 4 is a top plan view thereof;
 FIG. 5 is a rear elevational view thereof;
 FIG. 6 is a bottom plan view thereof.



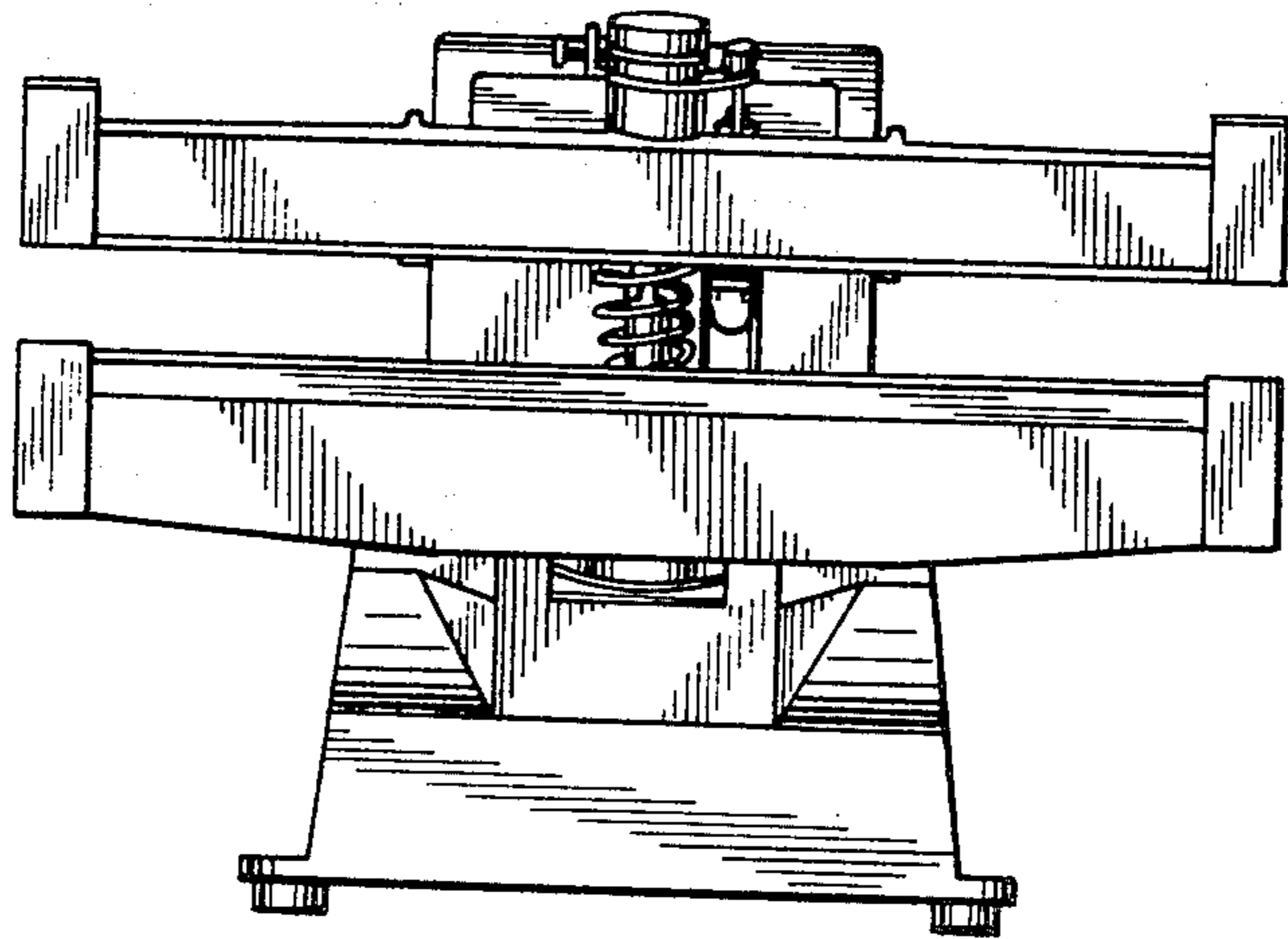


Fig. 1

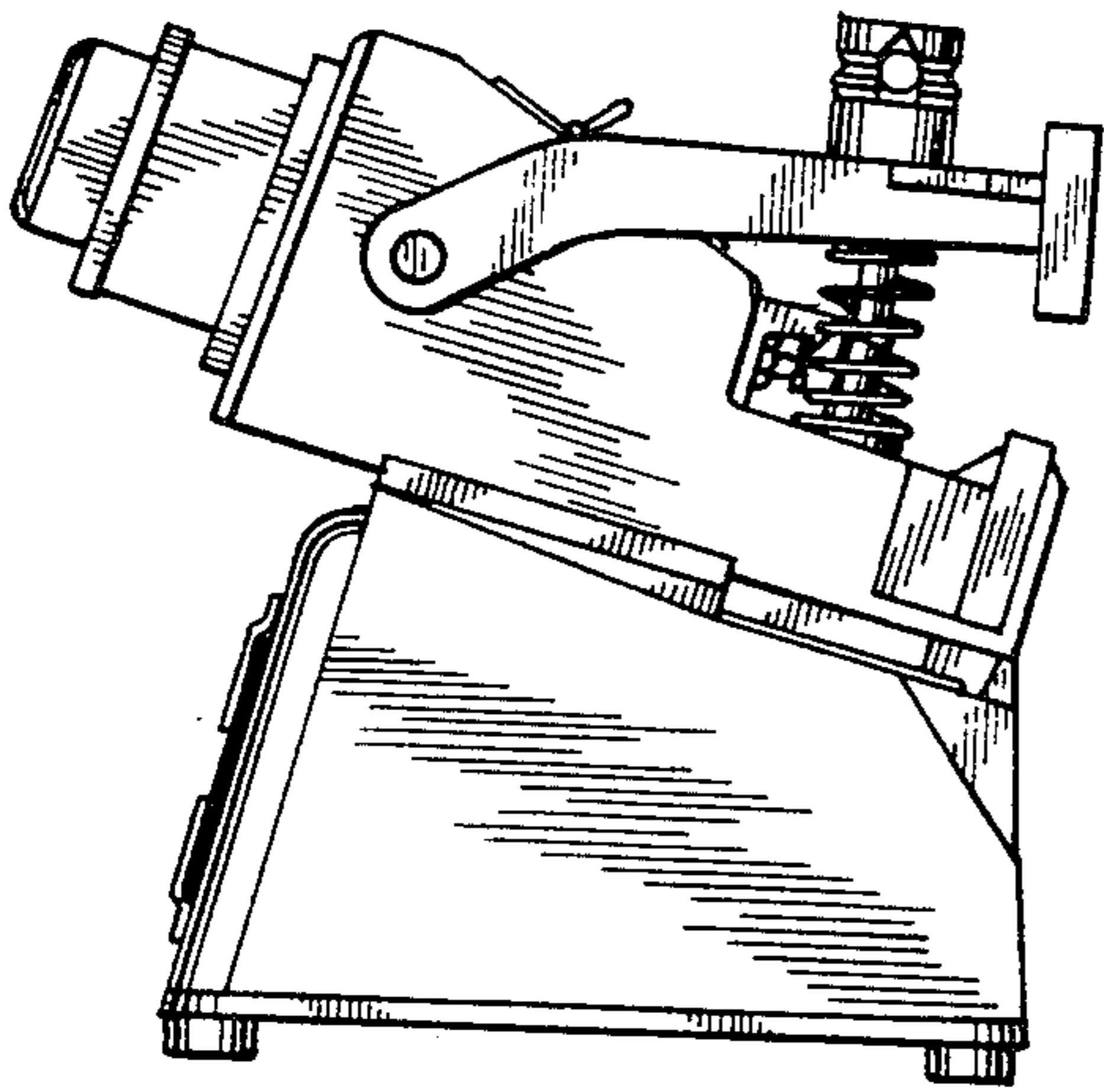


Fig. 2

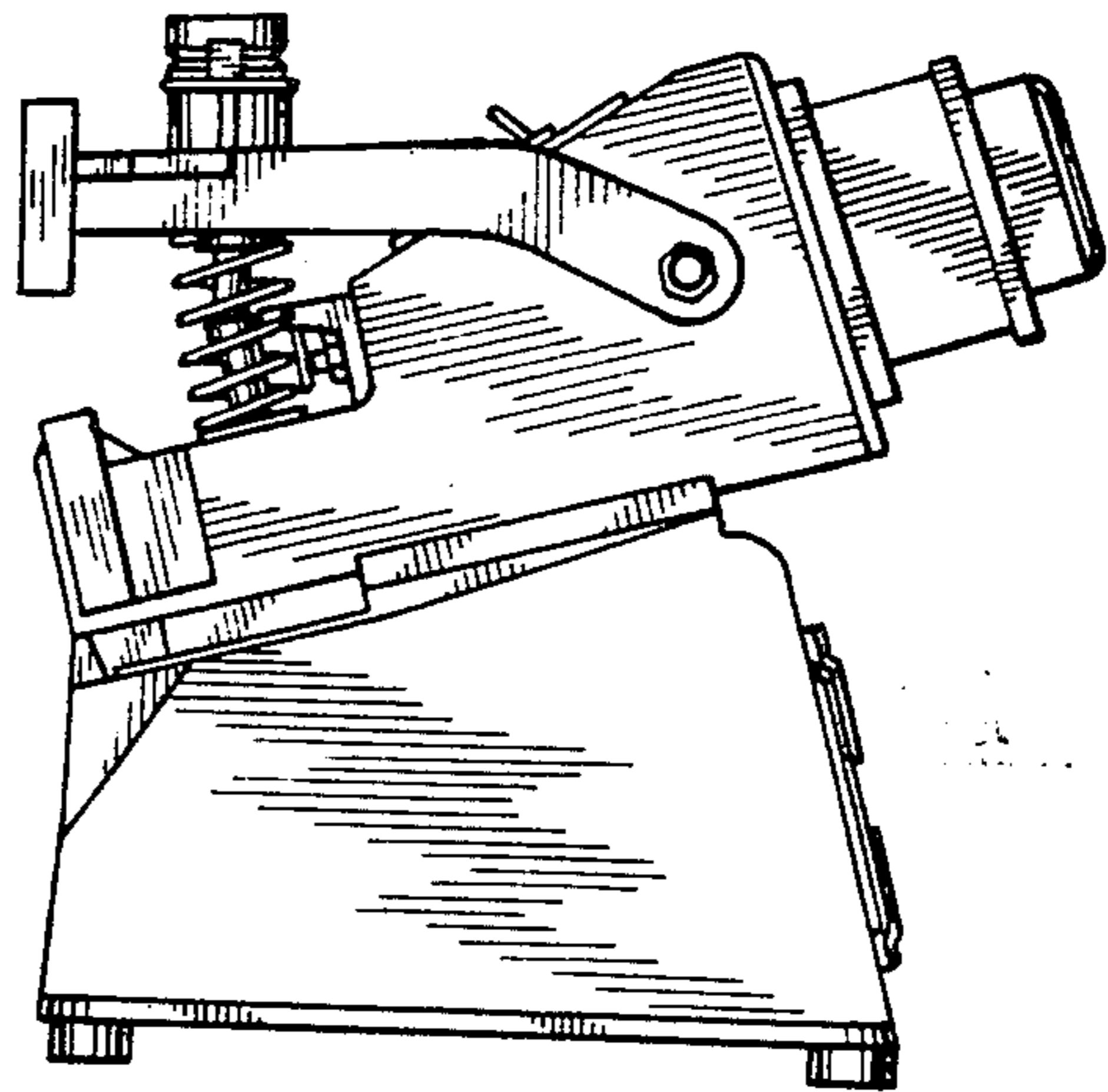


Fig. 3

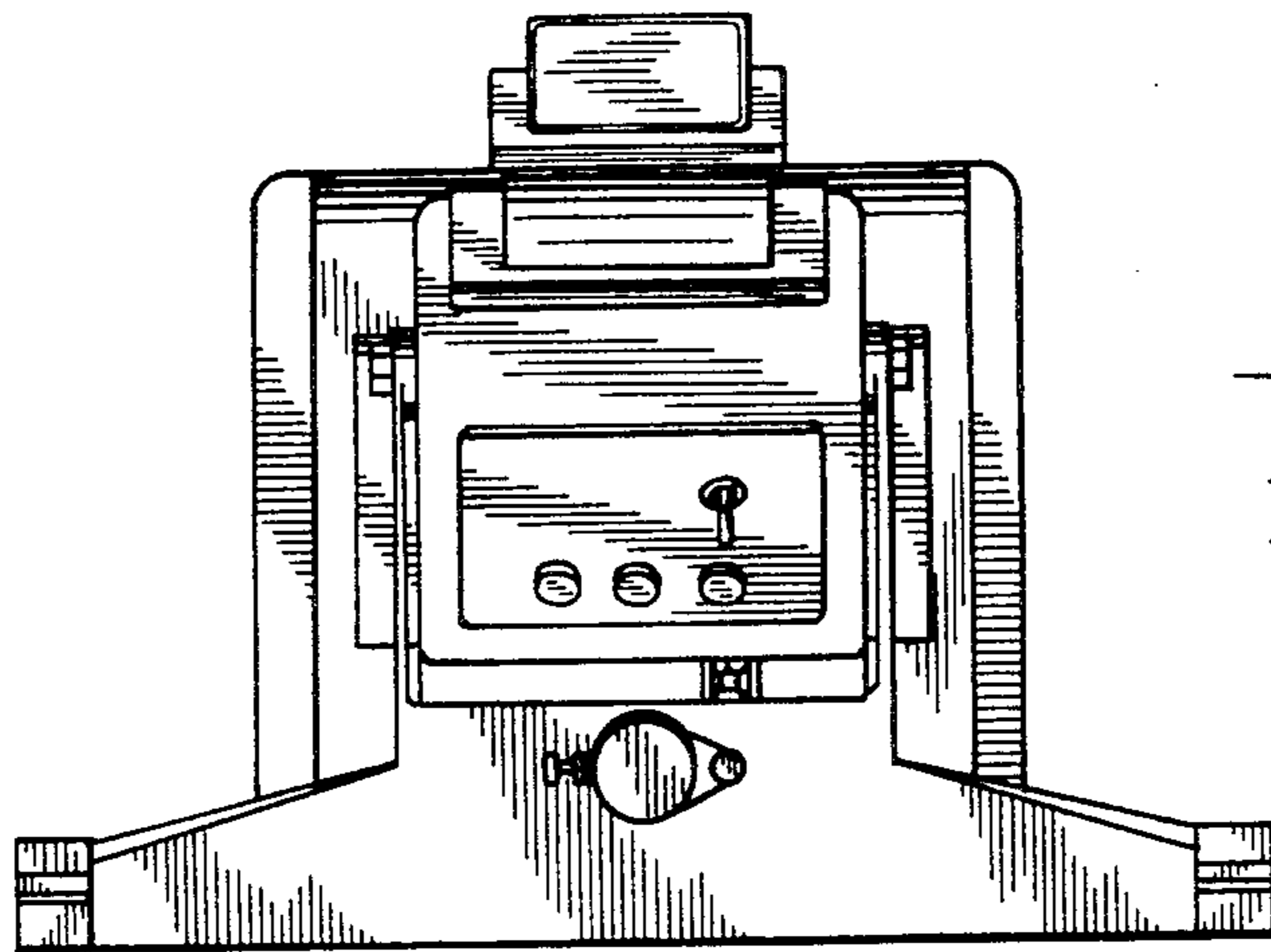


Fig. 4

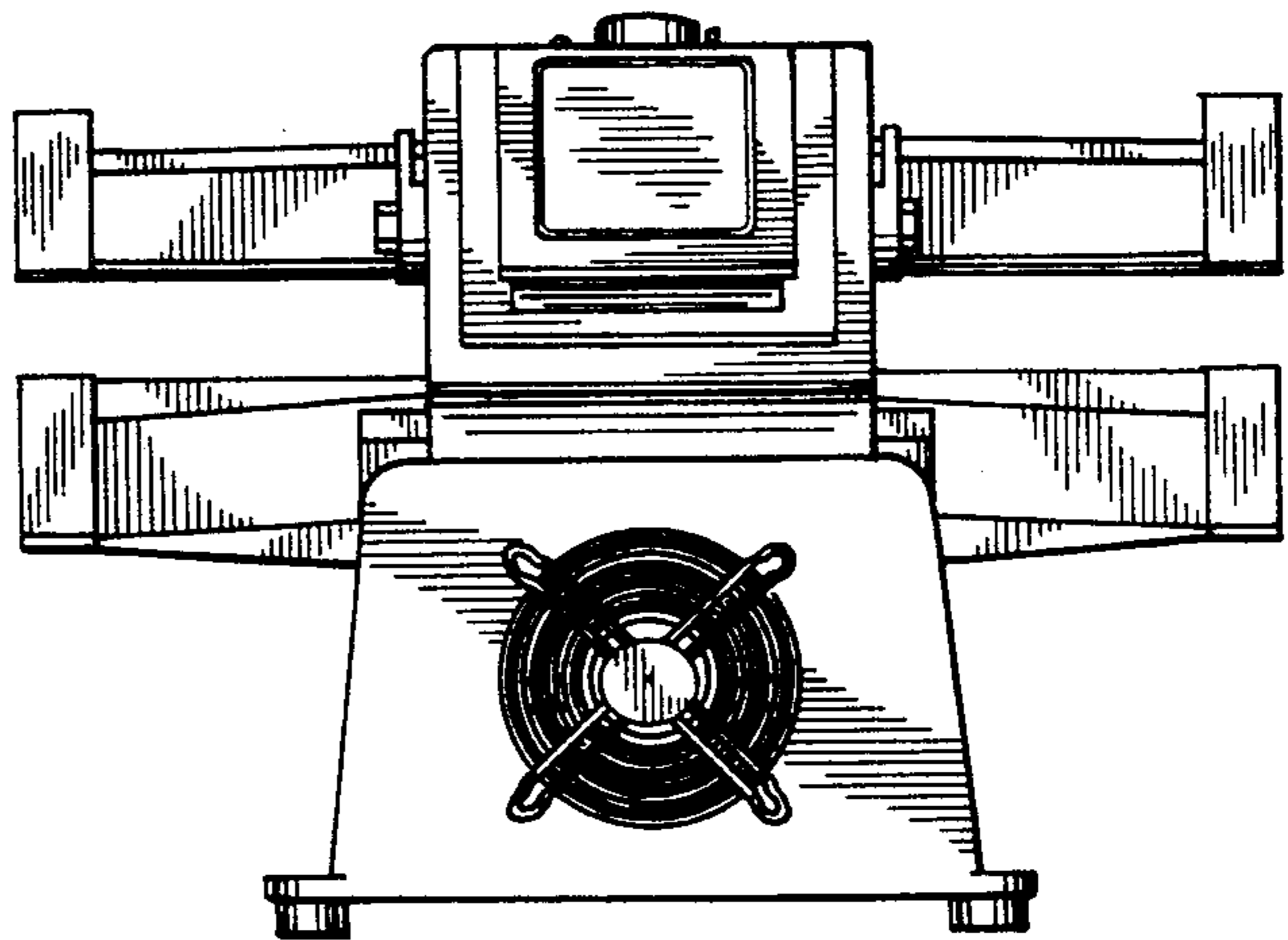


Fig. 5

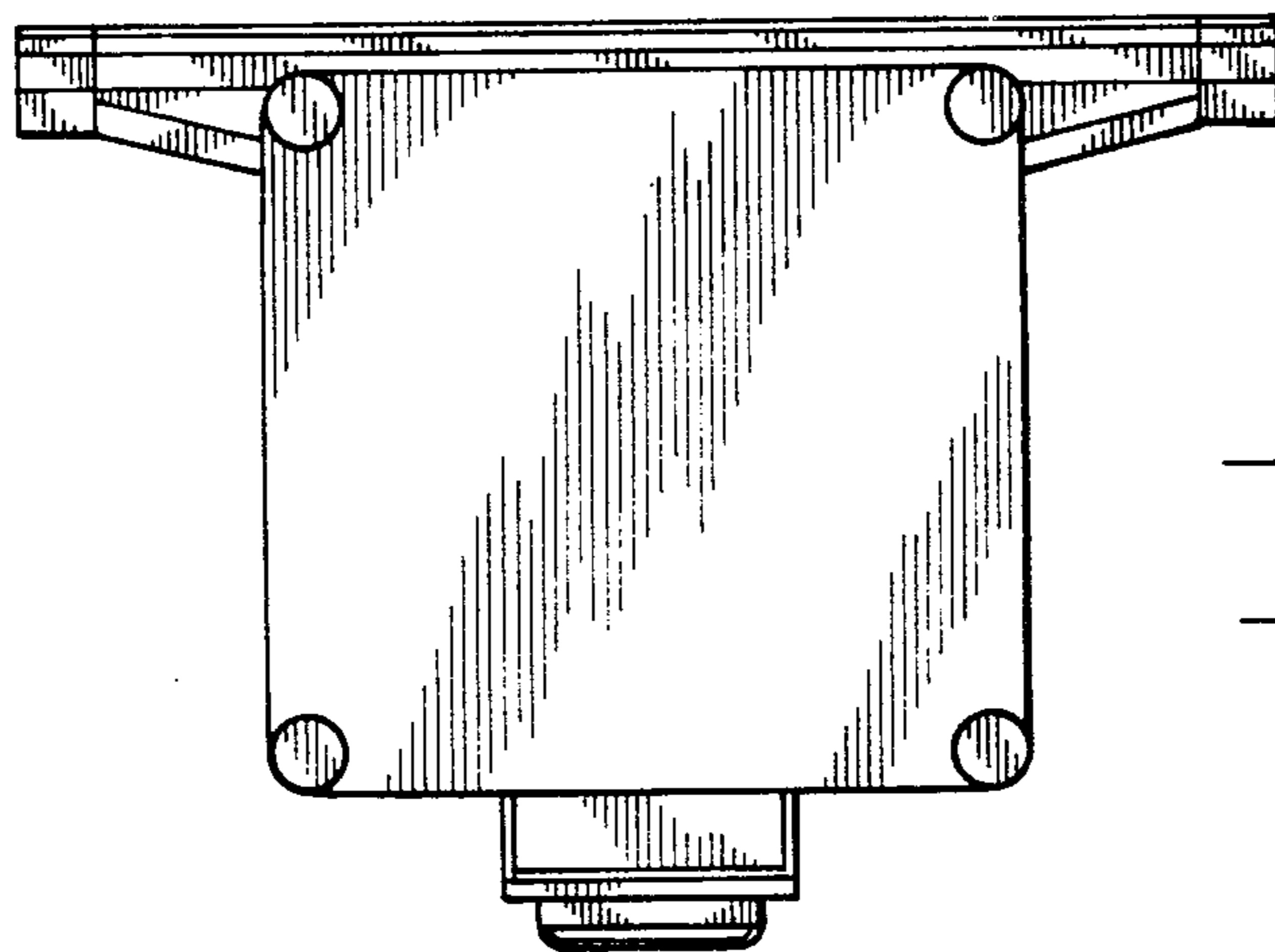


Fig. 6